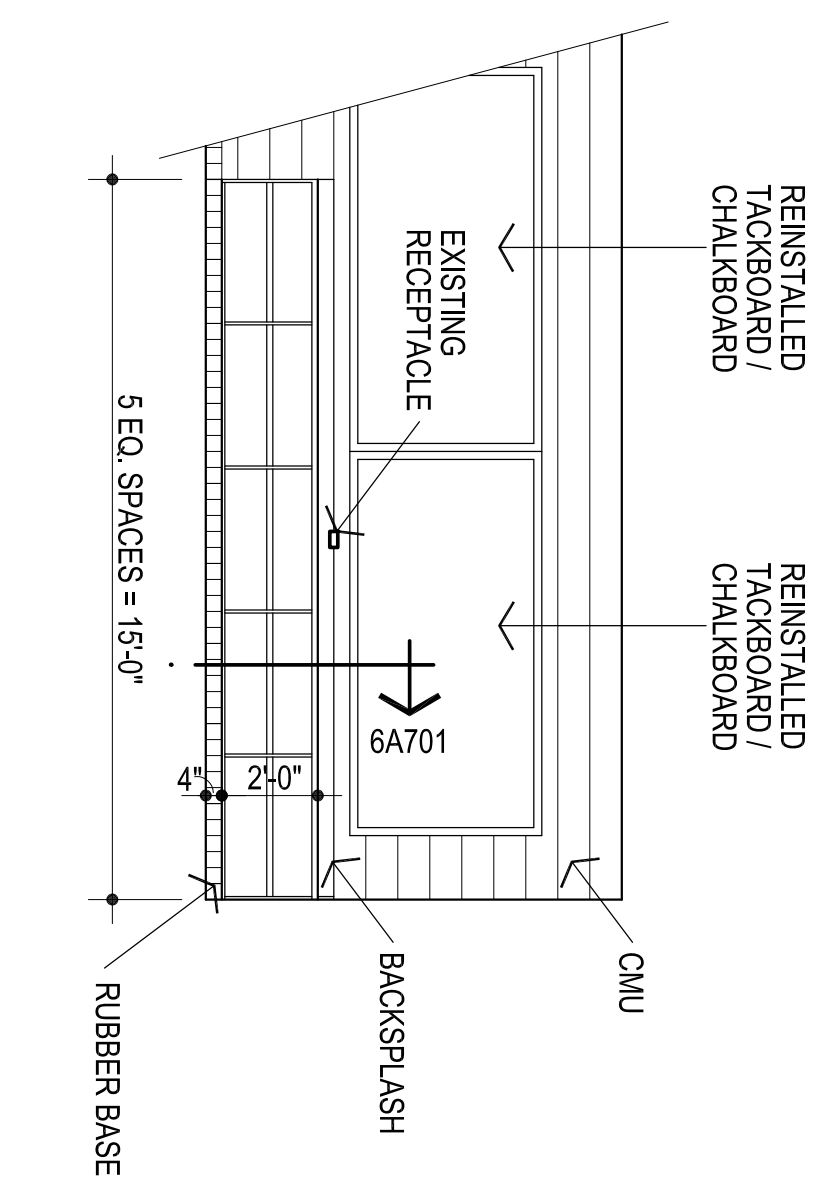
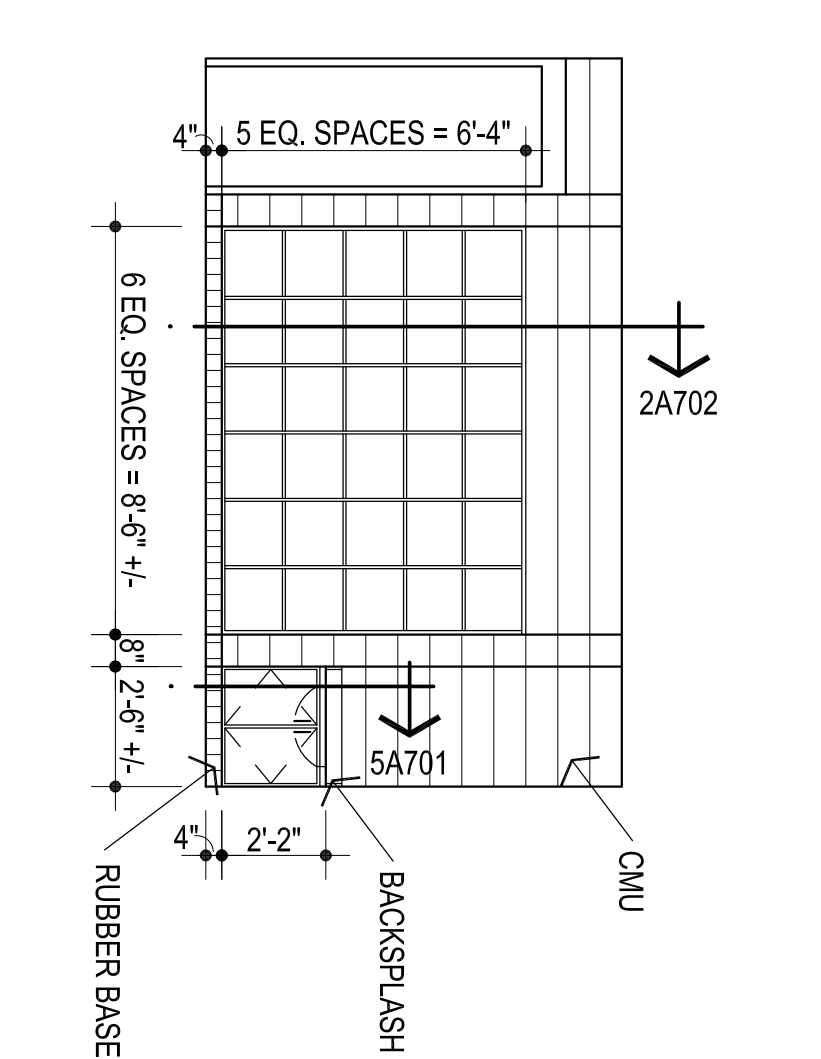


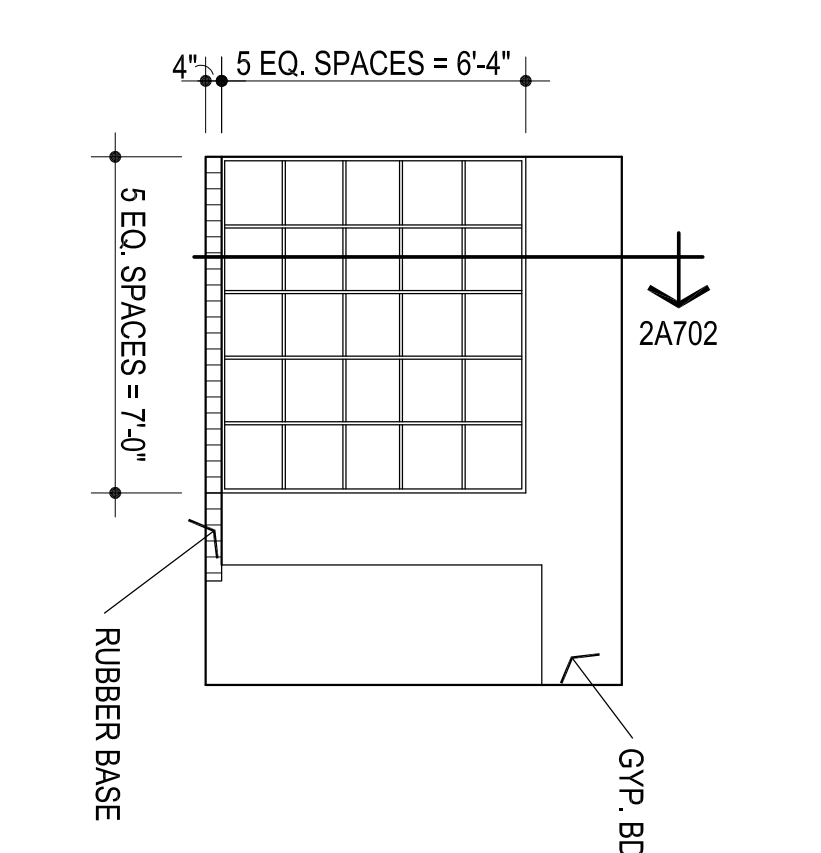
**1** ELEVATION @ TYP. CLASSROOM  
1/4" = 1'-0"



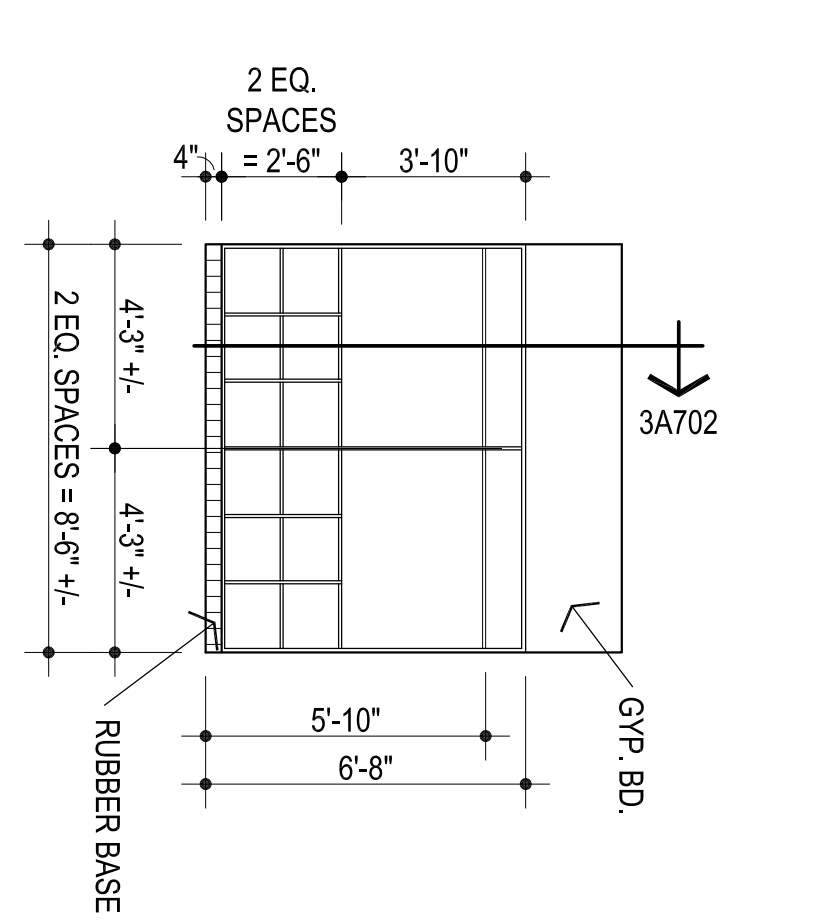
**2** ELEVATION @ TYP. CLASSROOM  
1/4" = 1'-0"



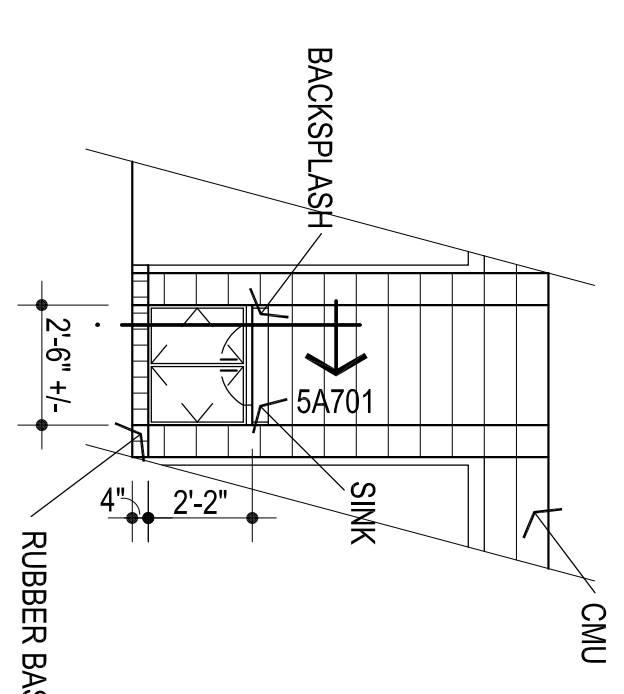
**3** ELEVATION @ TYP. CLASSROOM  
1/4" = 1'-0"



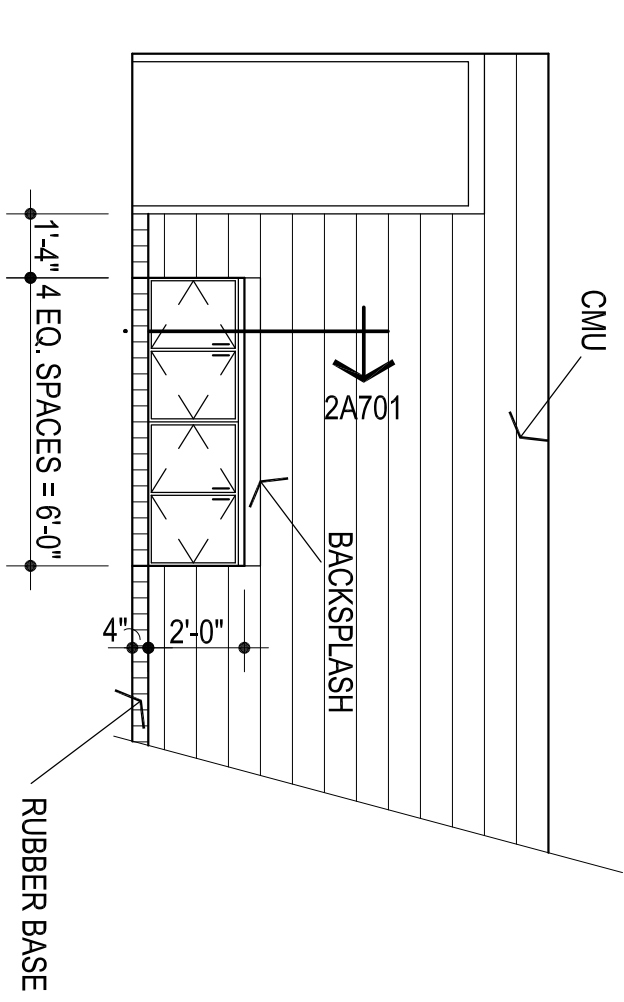
**4** S. WALL ROOM #113  
1/4" = 1'-0"



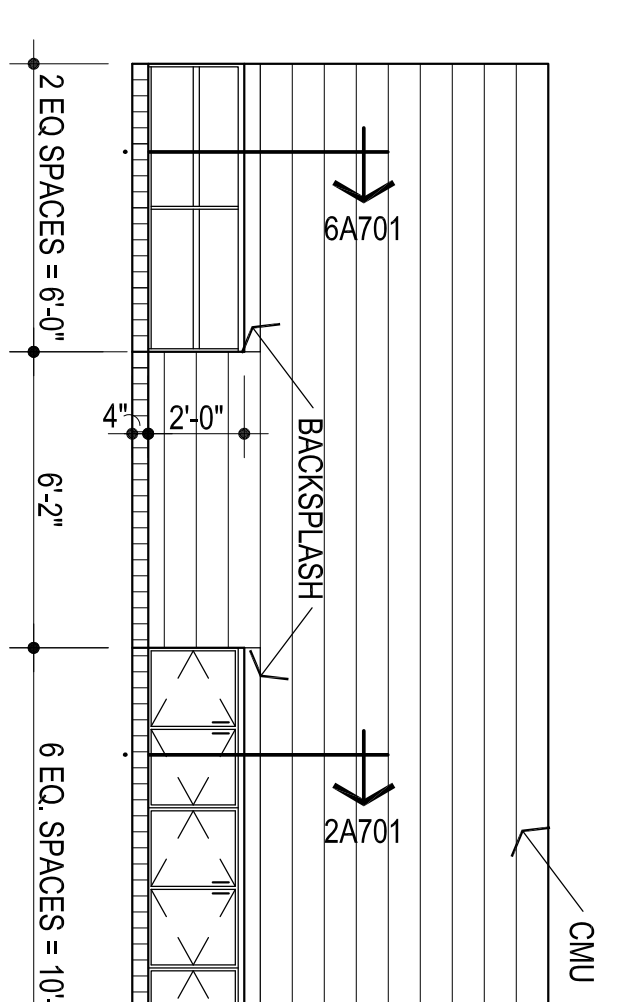
**5** W. WALL ROOM #113  
1/4" = 1'-0"



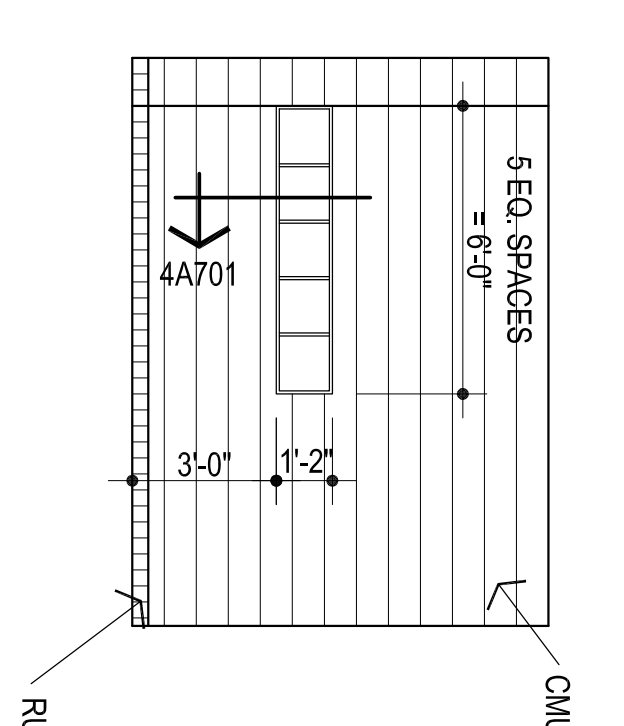
**6** N. WALL BUILDING 500 ROOM #503 / 504  
1/4" = 1'-0"



**7** W. WALL BUILDING 500 ROOM #503 / 504  
1/4" = 1'-0"



**8** E. WALL BUILDING 500 ROOM #503 / 504  
1/4" = 1'-0"



**9** S. WALL BUILDING 500 ROOM #503 / 504  
1/4" = 1'-0"

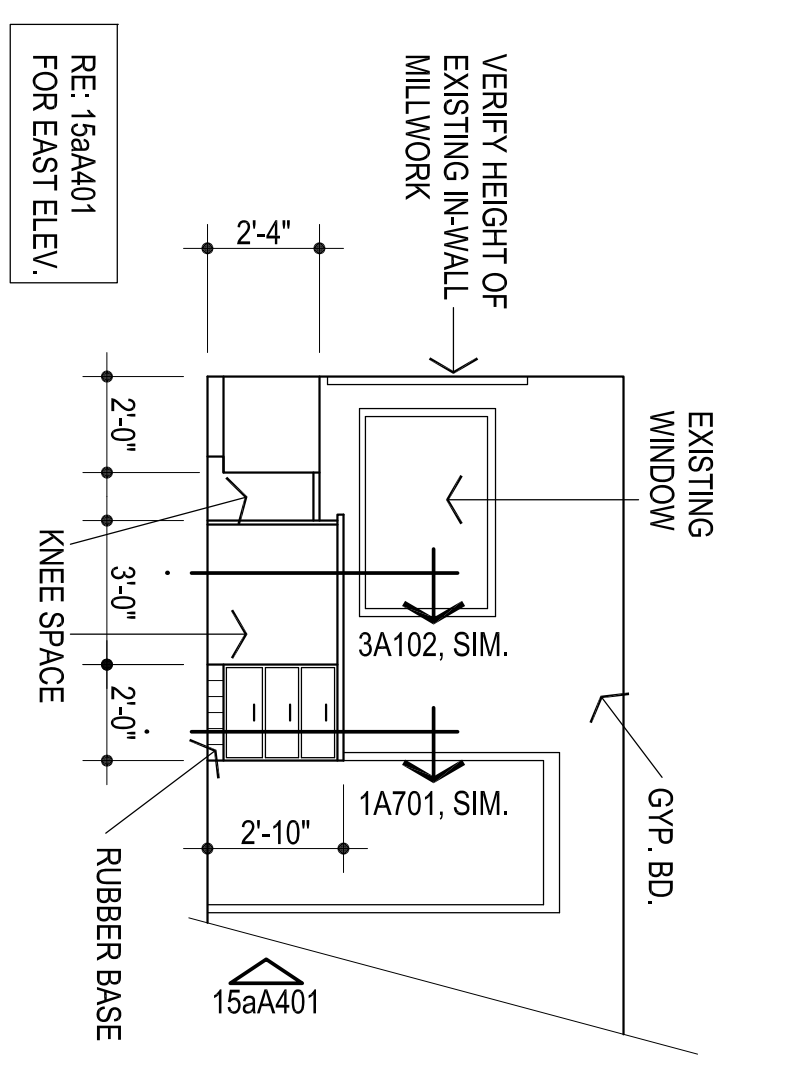
SINK - 34 TOTAL:  
ELKAY MODEL OD4A40251769C COUNTER MOUNTED PROVIDE  
ROUGH-IN AS REQUIRED TO RECONNECT TO EXISTING. SINK  
PACKAGE WITH LK02081913C FAUCET LK35 DRAIN & LK11414 BUBBLER  
PROVIDE ACQUISURE 8912 P-T849 BZ165CC SUPPLY STOPS.  
INSTALL THERMOSTATIC MIXING VALVE AS REQUIRED  
COORDINATE WITH ARCHITECT & OWNER.



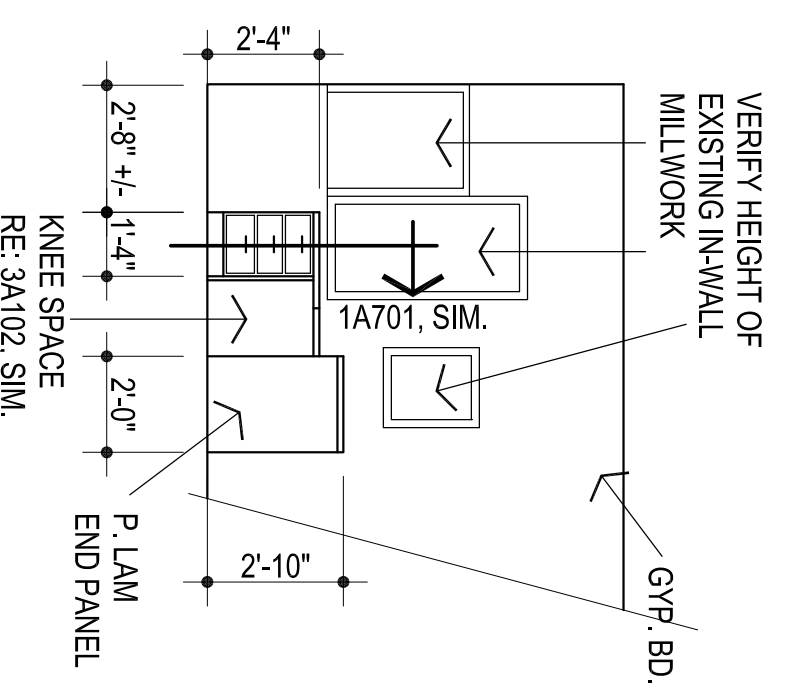
**PAINT:**

- 1 WALLS - FIELD- MATCH EXISTING
- PREFINISHED COLORS:
- 2 SOLID SURFACE (COUNTERTOPS) : CORIAN - DEEP BEDROCK
- 3 CARPET TILES: COORDINATE W/ OWNERS INSTALLER
- 4 RUBBER WALL BASE: COORDINATE W/ OWNERS INSTALLER
- 5 VINYL "T" EDGING: - TO BE SELECTED FROM MFRS STANDARD COLORS
- 6 MELAMINE: WHITE
- 7 PLASTIC LAMINATE (FACING AND EDGING) : WILSONART - MONTICELLO MAPLE
- 8 LVT: COORDINATE W/ OWNERS INSTALLER

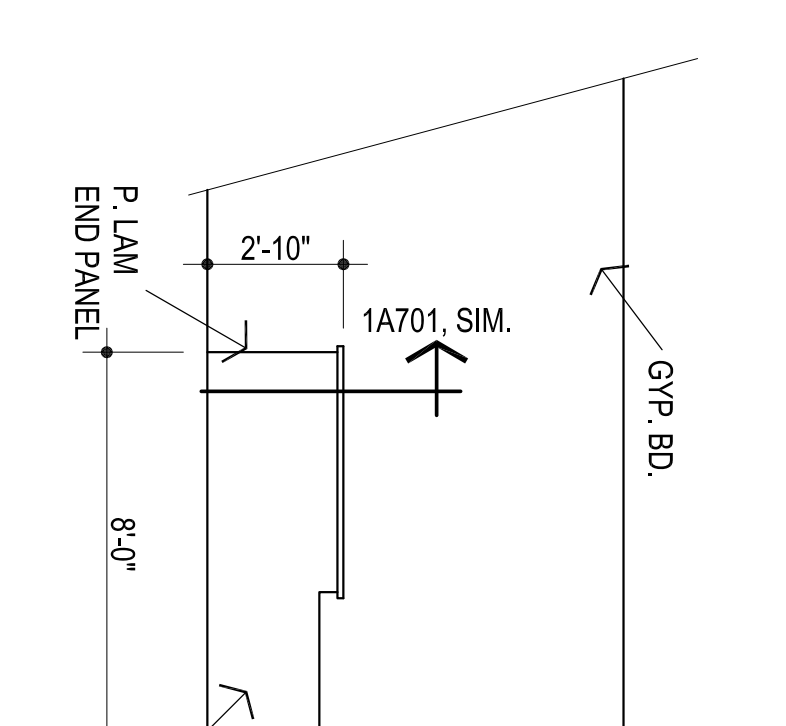
**10** COLOR SCHEDULE



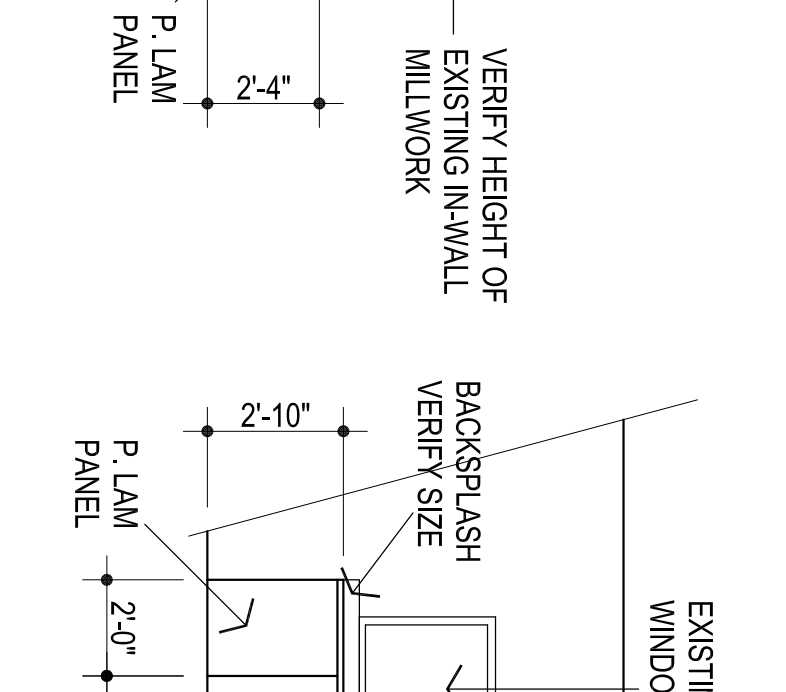
**15** N. ELEV. MILLWORK BUILDING 100 ROOM #109  
1/4" = 1'-0"



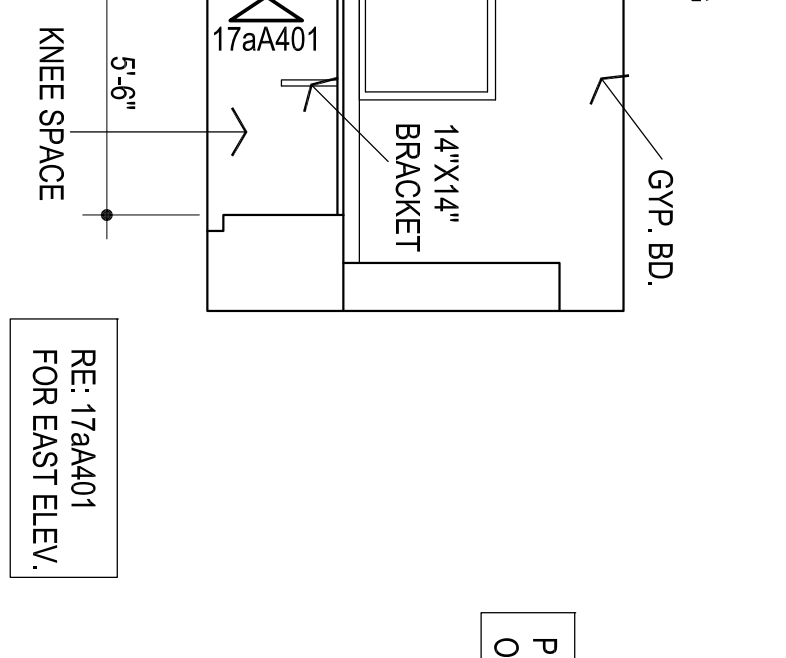
**15a** E. ELEV. MILLWORK BUILDING 100 ROOM #109  
1/4" = 1'-0"



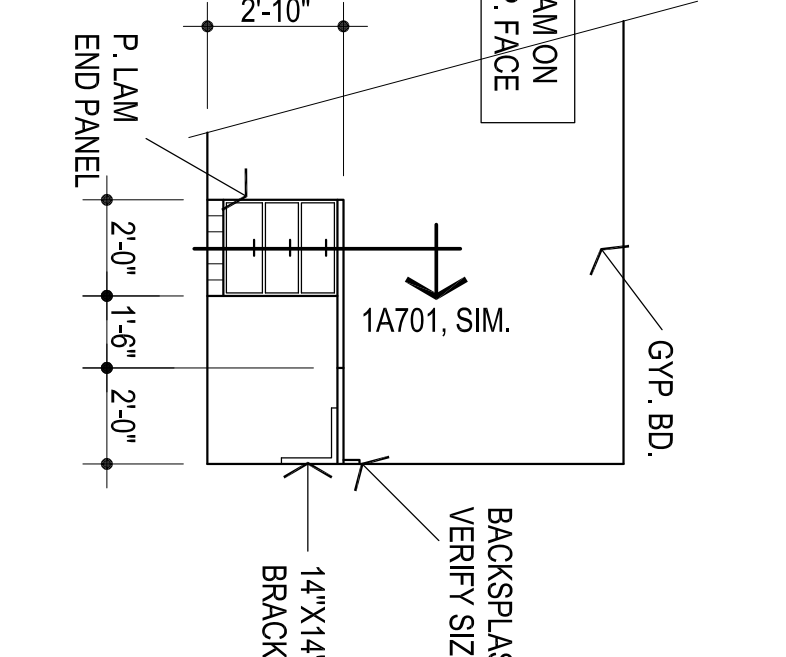
**16** S. ELEV. MILLWORK BUILDING 100 ROOM #109  
1/4" = 1'-0"



**17** S. WALL BUILDING 100 ROOM #109  
1/4" = 1'-0"

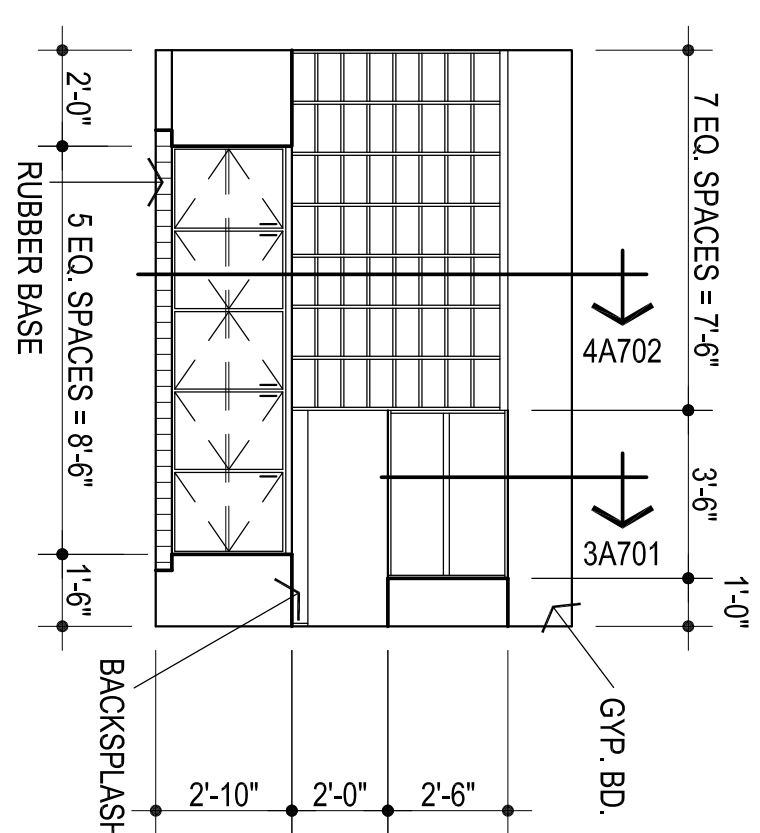


**17a** N. ELEV. MILLWORK BUILDING 100 ROOM #109  
1/4" = 1'-0"

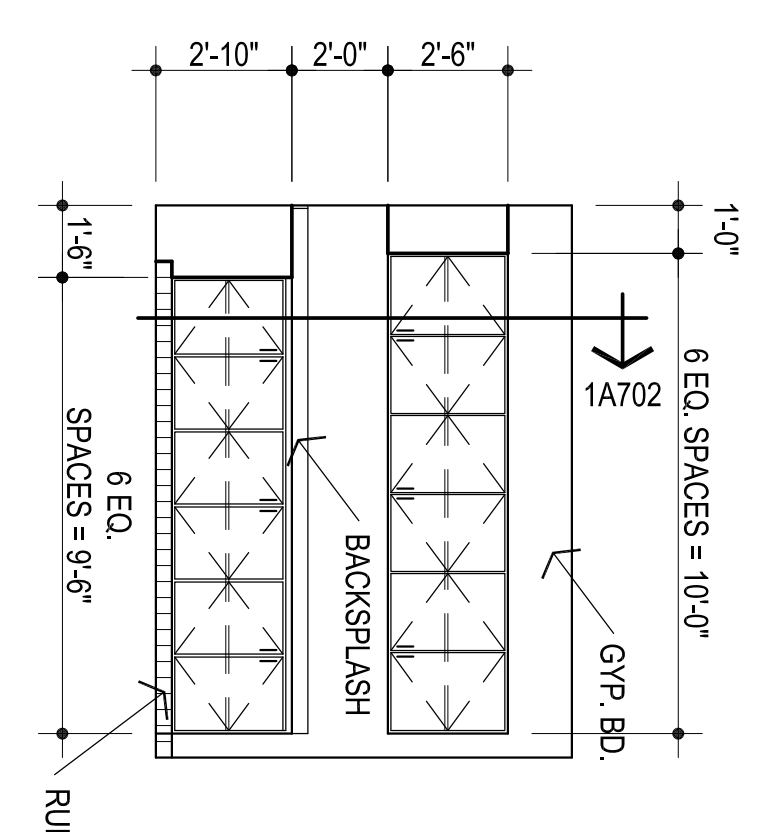


**17a** N. ELEV. MILLWORK BUILDING 100 ROOM #109  
1/4" = 1'-0"

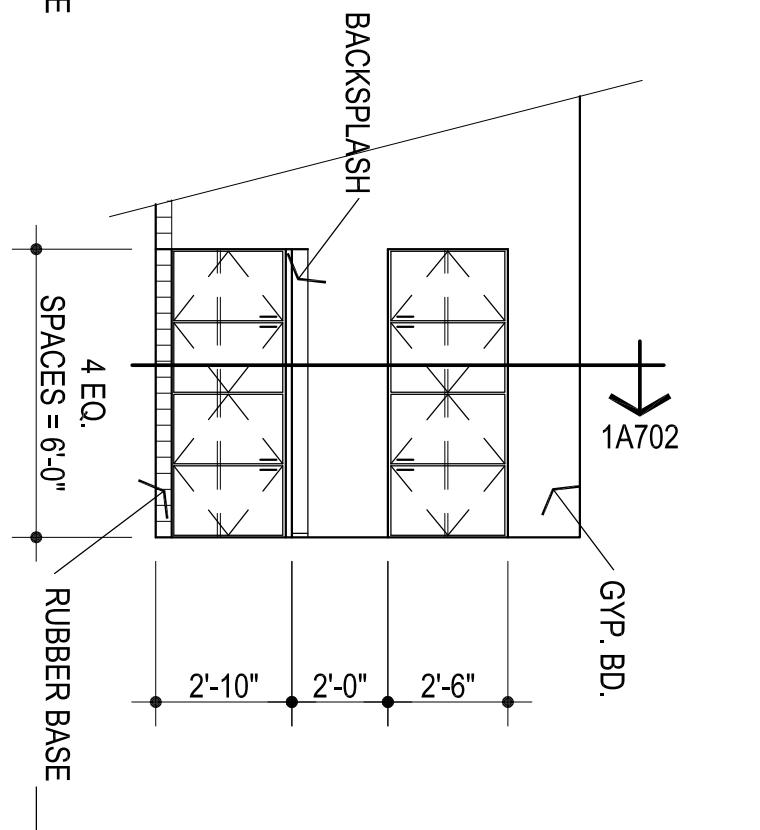
**11** W. WALL BUILDING 100 ROOM #109  
1/4" = 1'-0"



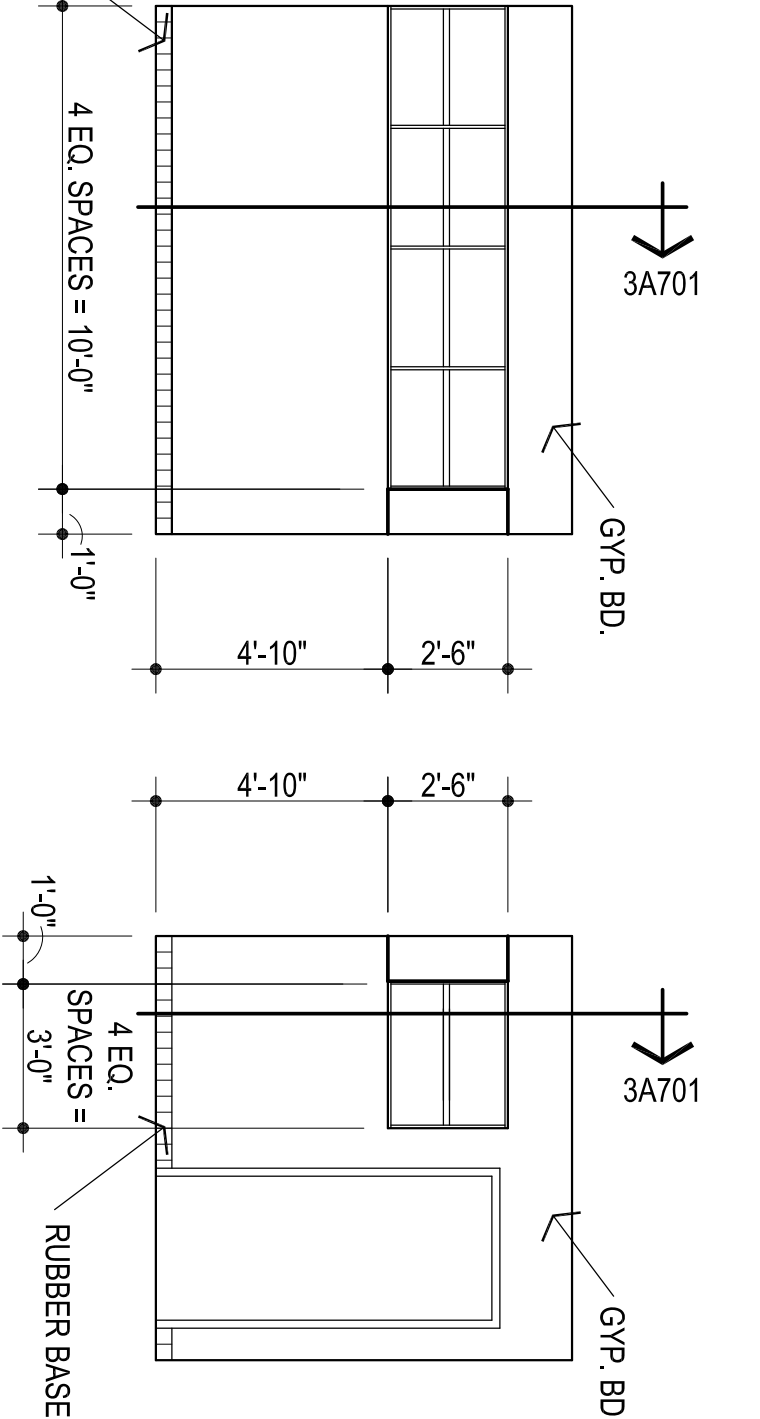
**12** N. WALL BUILDING 100 ROOM #109  
1/4" = 1'-0"



**13** S. WALL BUILDING 100 ROOM #110  
1/4" = 1'-0"



**14** N. & E. WALL BUILDING 100 ROOM #114  
1/4" = 1'-0"



WINDING CREEK  
ELEMENTARY SCHOOL  
MILLWORK  
REPLACEMENT

A401

Sheet No.:  
OWNERSHIP USE OF DOCUMENTS:  
APP EXPRESSLY RESERVES ITS  
COPYRIGHT AND OTHER PROPERTY  
RIGHTS OF ALL PLANS AND DRAWINGS  
DESIGNED AND/OR PRODUCED. PLANS  
AND DRAWINGS ARE NOT TO BE  
REPRODUCED IN ANY FORM OR MANNER  
WITHOUT THE EXPRESSED WRITTEN  
CONSENT OF ACP.