

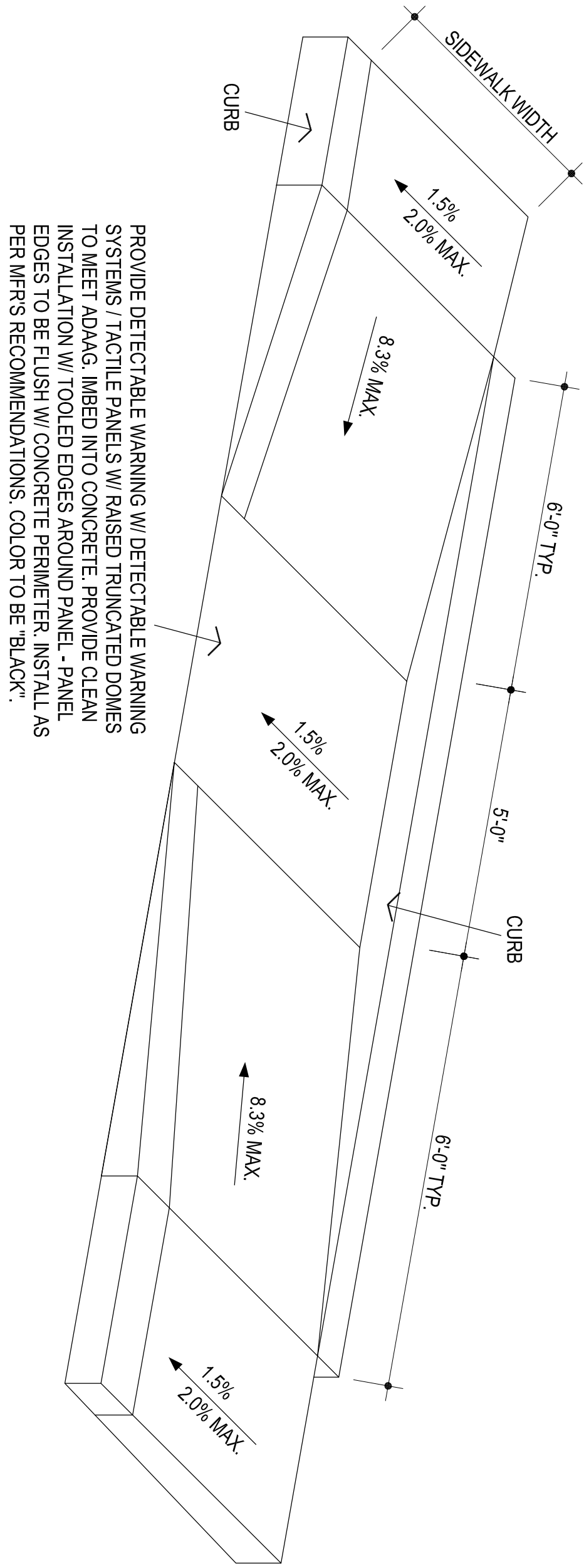


CS	_____
drawn by	_____
MA	_____
checked by	_____
date	FEBRUARY 2024
revisions	_____

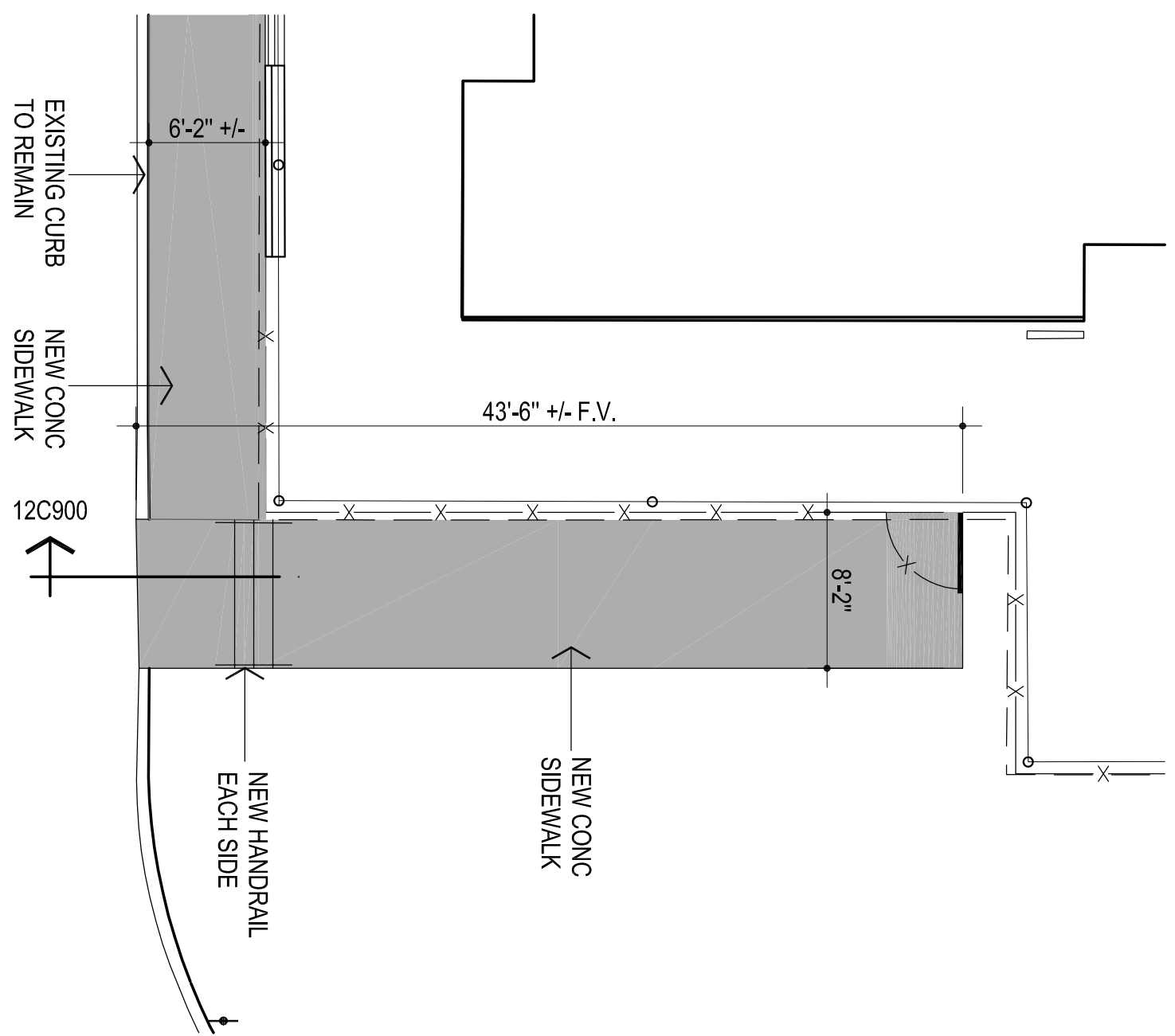
MOORE PUBLIC SCHOOLS
BOARD OF EDUCATION
MOORE, OKLAHOMA

MOORE Public Schools
LEARNING FOR LIFE

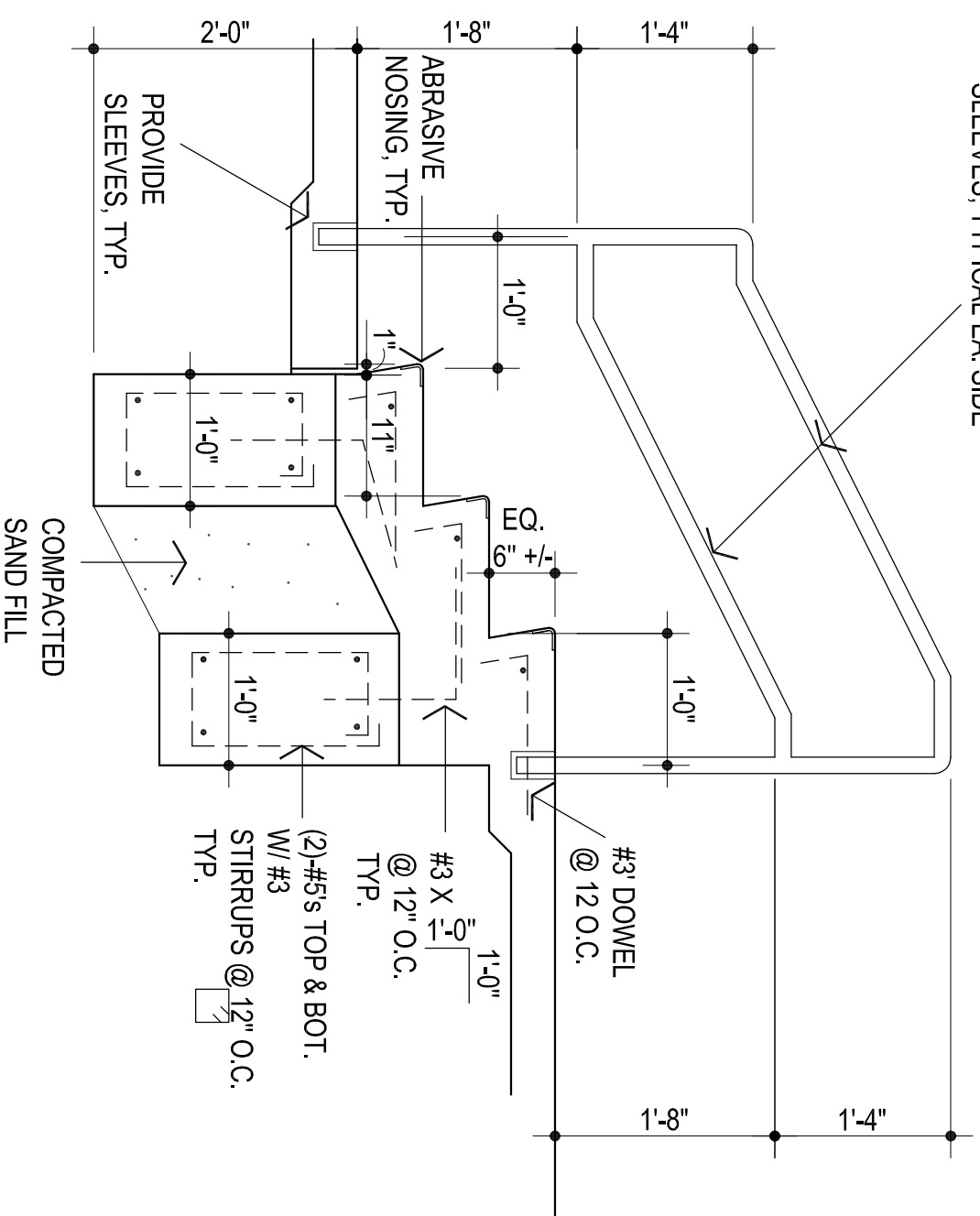
WINDING CREEK
ELEMENTARY SCHOOL
SECURITY UPGRADES



10 PARALLEL CURB RAMP
NOT TO SCALE

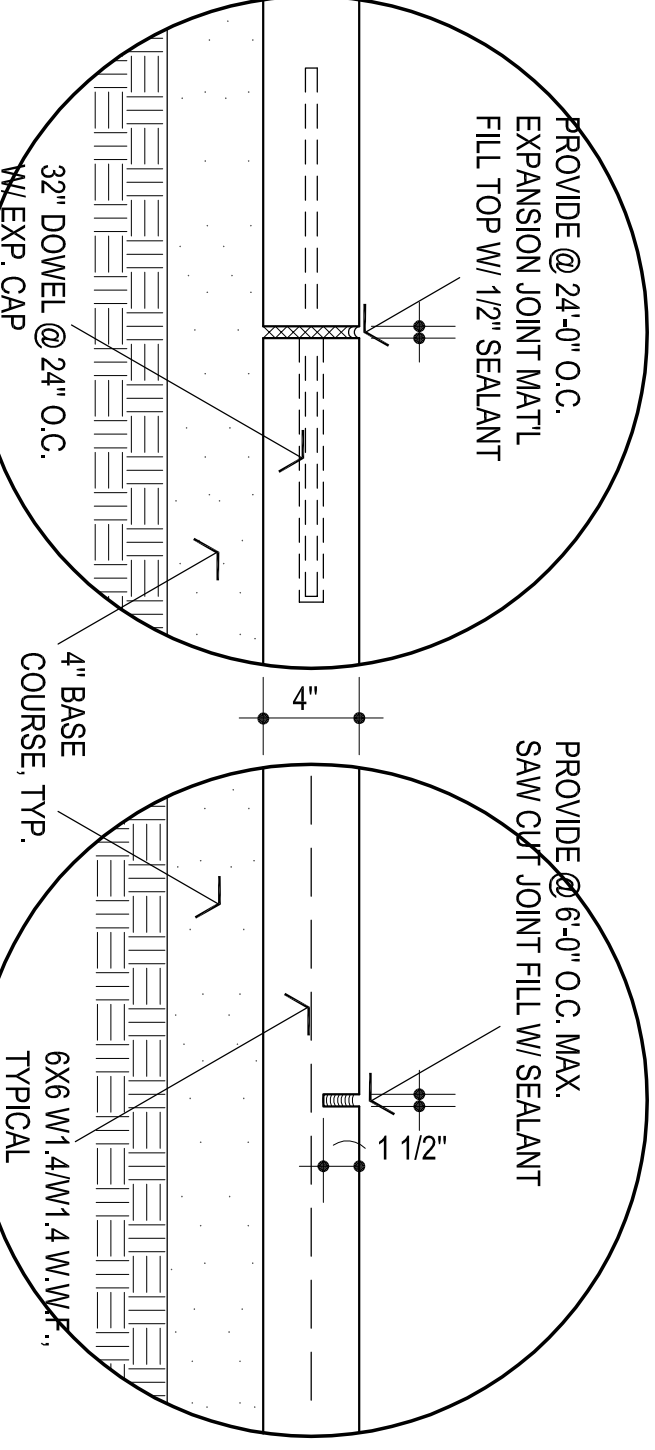


11 NEW CONC. STEPS
1/8" = 1'-0"

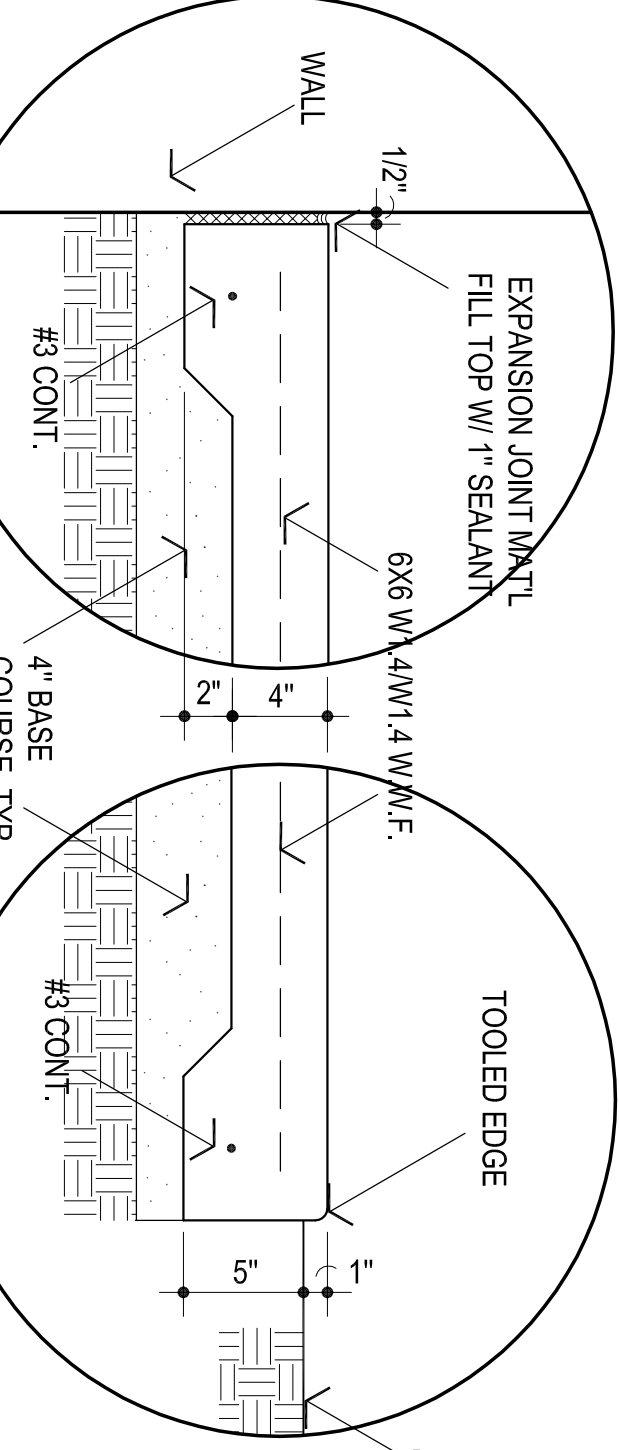


12 SECTION @ STEPS
3/4" = 1'-0"

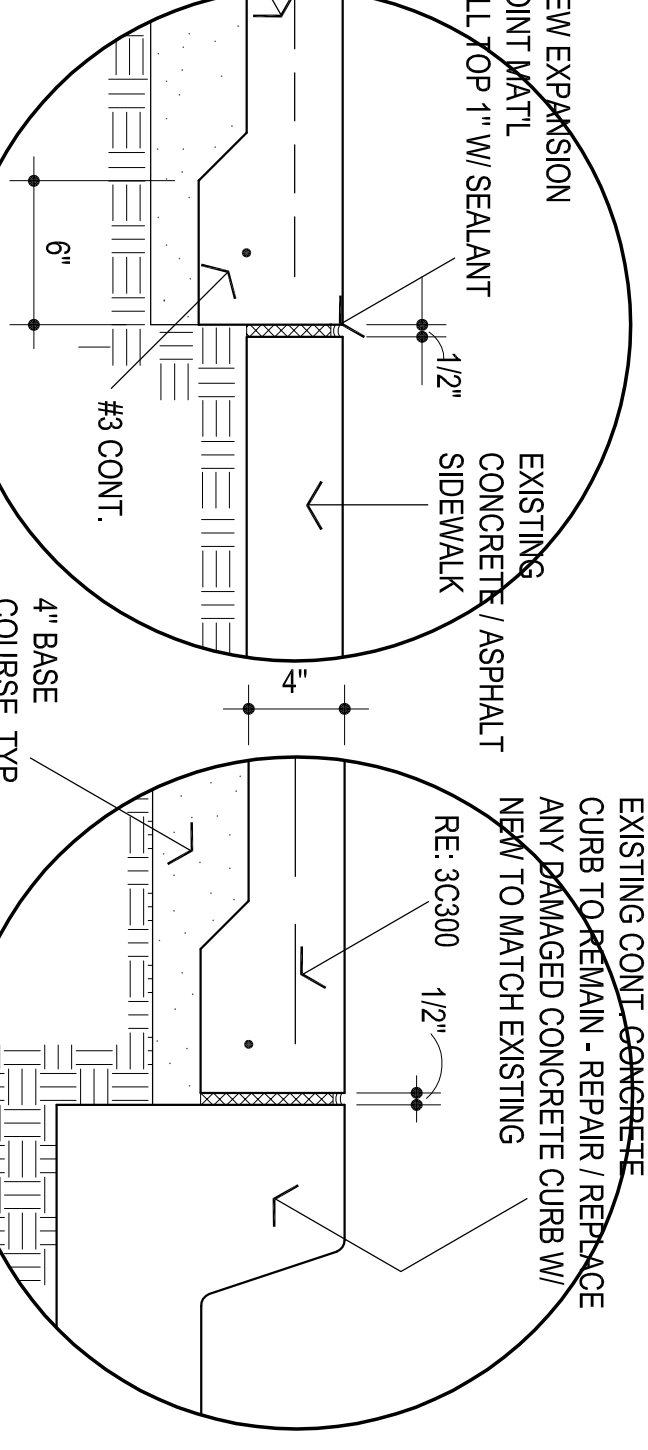
FIELD VERIFY EXISTING FINISH ELEVATIONS & MODIFY NUMBER OF STEPS REQD AS NECESSARY. COORDINATE W/ ARCHITECT.



1 SIDEWALK EXP. JOINT

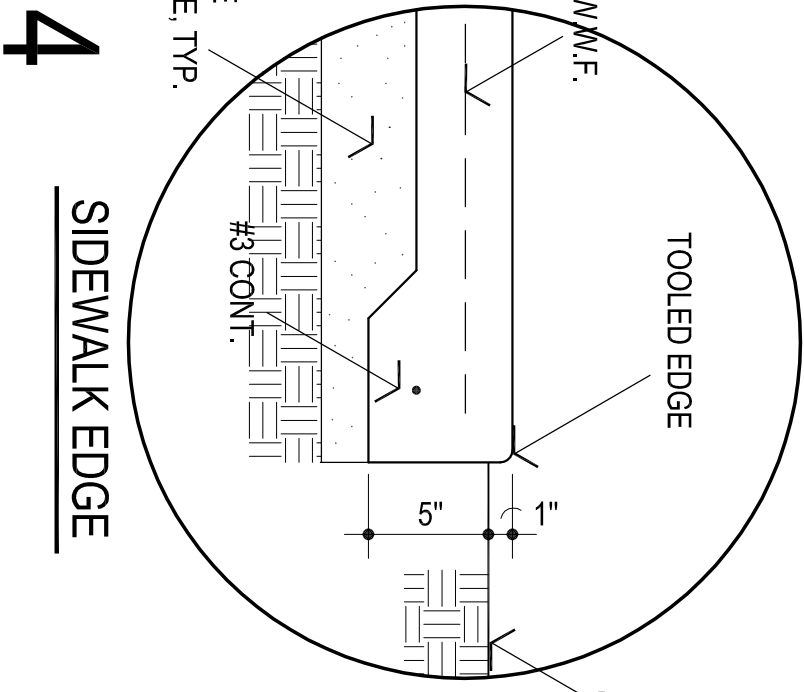


2 SIDEWALK CONTROL JT.



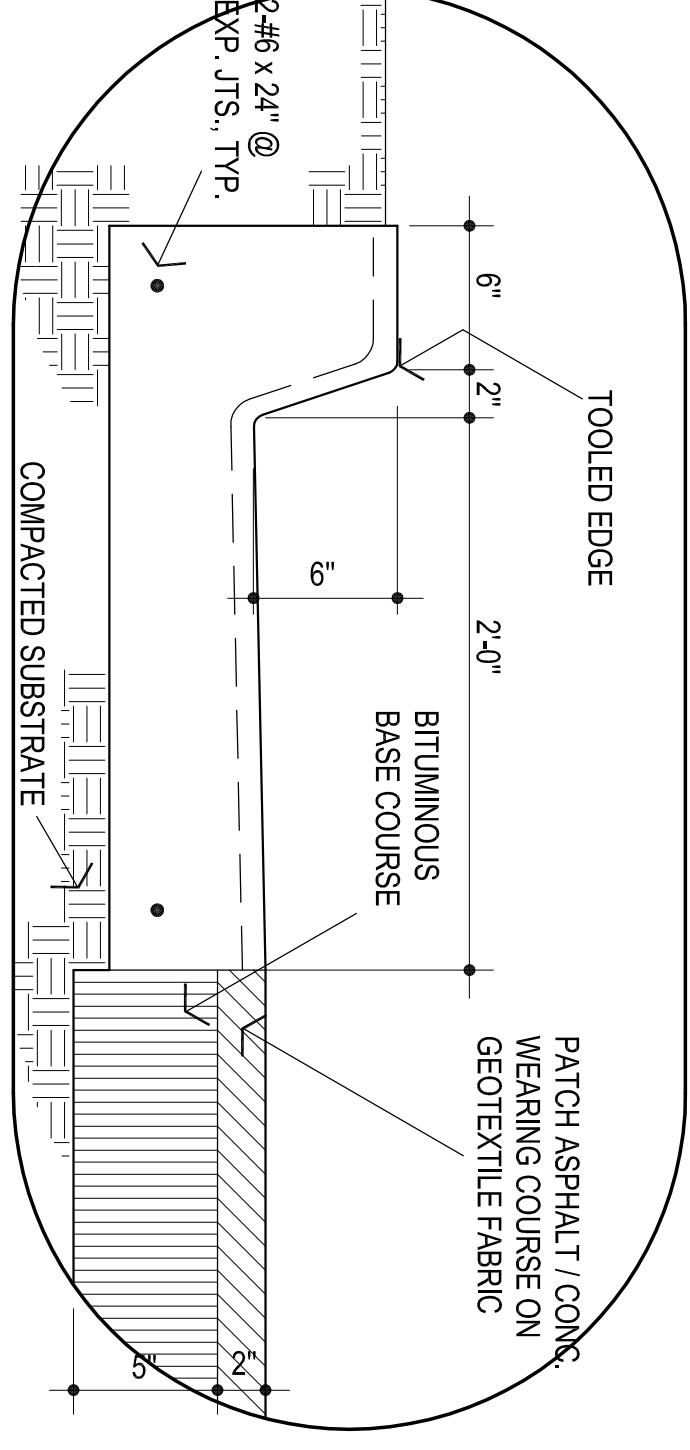
3 SIDEWALK @ VERT. SURF.

5 EXISTING / NEW CONCRETE SIDEWALK

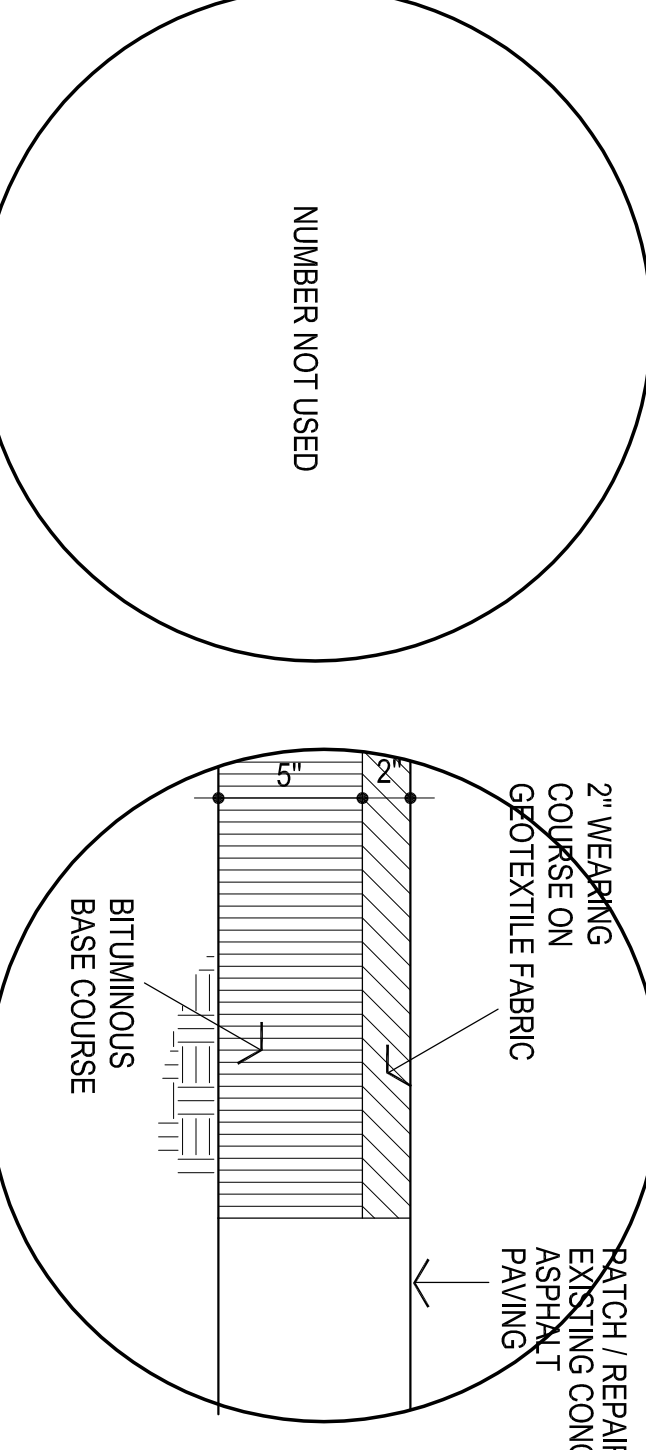


4 SIDEWALK EDGE

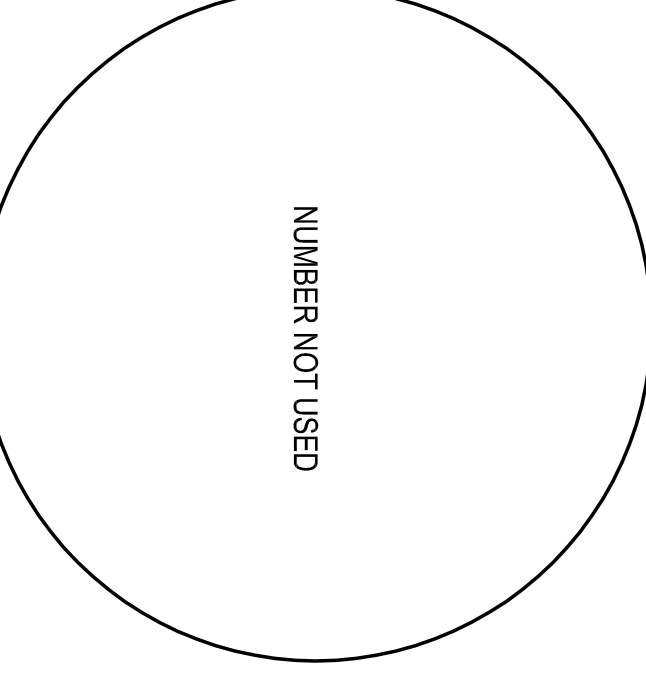
6 SIDEWALK / CONC. CURB



7 CONC. CURB / ASPHALT PAVING



9 PAVING EDGE
NOT TO SCALE



8 NUMBER NOT USED