

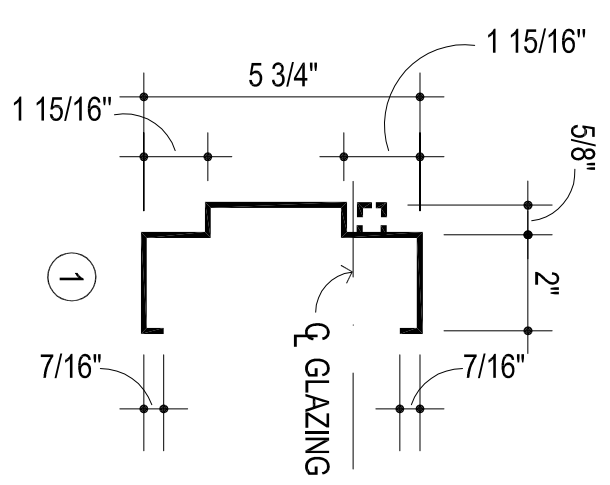
- PAINT:**
- 1 EXPOSED CMU WALLS - FIELD: SHERWIN-WILLIAMS - SW7008 - ALABASTER
 - 2 H.M. DOORS & FRAMES: SHERWIN-WILLIAMS - SW6992 - INKWELL
 - 3 MISCELLANEOUS METALS: SHERWIN-WILLIAMS - SW6992 - INKWELL

- EXTERIOR COLORS:**
- 4 PREFINISHED METAL COPING: - TO BE VERIFIED WITH ARCHITECT PRIOR TO CONSTRUCTION - MATCH EXISTING
 - 5 PREFINISHED METAL ROOF PANEL: - TO BE VERIFIED WITH ARCHITECT PRIOR TO CONSTRUCTION - MATCH EXISTING
 - 6 MASONRY BRICK VENEER: ACOME BRICK: - TO BE VERIFIED WITH ARCHITECT PRIOR TO CONSTRUCTION - MATCH EXISTING

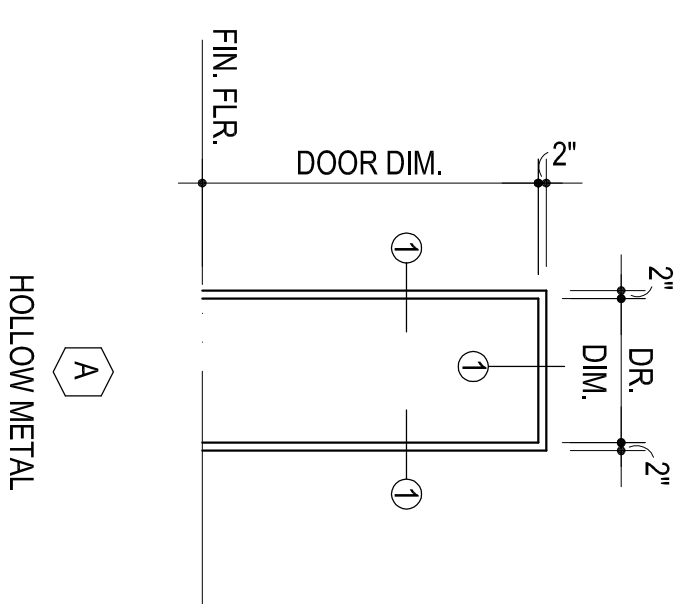
1 COLOR SCHEDULE

| DOOR NO. | LOCATION FROM/ TO | DOOR ELEV. | DOOR MATL | DOOR SIZE WIDTH HEIGHT THK | FRAME FL. ELEV. | DOOR DETAILS | | | REMARKS | HDWR. SET NO. | |
|----------|-------------------|------------|-----------|----------------------------|-----------------|--------------|-------|-------|---------|---------------|---|
| | | | | | | HEAD | SILL | JAMB | | | |
| 1 | CORR. EXT. | A | H.M. | PR 3'-0" 6'-8" | 1 3/4" | A | 6A601 | 7A601 | 7A601 | | 2 |
| 2 | CORR. EXT. | A | H.M. | PR 3'-0" 3'-0" | 3'-0" | A | 6A601 | 7A601 | 7A601 | | 1 |
| 3 | CORR. EXT. | A | H.M. | PR 3'-0" 3'-0" | 3'-0" | A | 6A601 | 7A601 | 7A601 | | 2 |
| 4 | CORR. EXT. | A | H.M. | PR 3'-0" 6'-8" | 1 3/4" | A | 6A601 | 8A601 | 7A601 | | 2 |
| 5 | CORR. EXT. | A | H.M. | PR 3'-0" 6'-8" | 1 3/4" | A | 6A601 | 8A601 | 7A601 | | 2 |
| 6 | CORR. EXT. | A | H.M. | PR 3'-0" 6'-8" | 1 3/4" | A | 6A601 | 8A601 | 7A601 | | 2 |
| 7 | | | | | | | | | | | |
| 8 | | | | | | | | | | | |
| 9 | | | | | | | | | | | |
| 10 | | | | | | | | | | | |
| 11 | | | | | | | | | | | |
| 12 | | | | | | | | | | | |
| 13 | | | | | | | | | | | |
| 14 | | | | | | | | | | | |

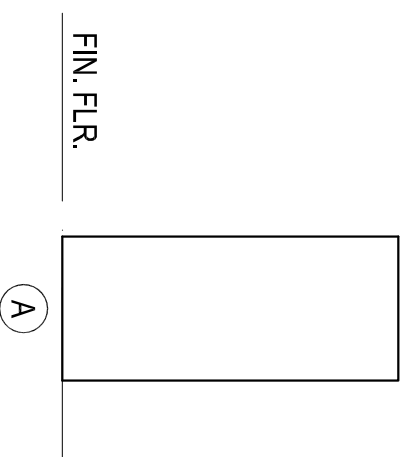
2 DOOR SCHEDULE



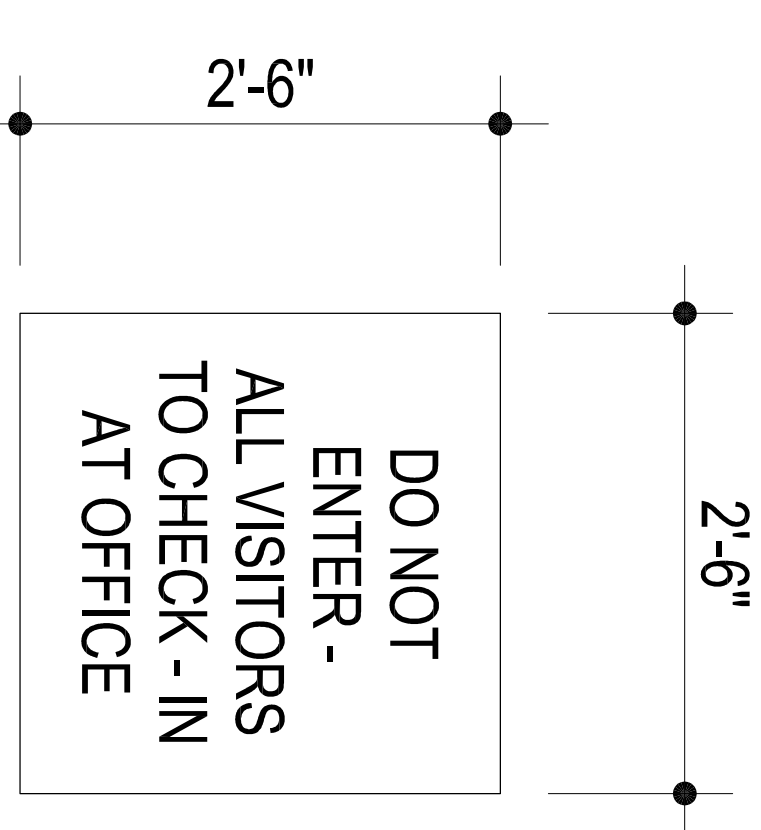
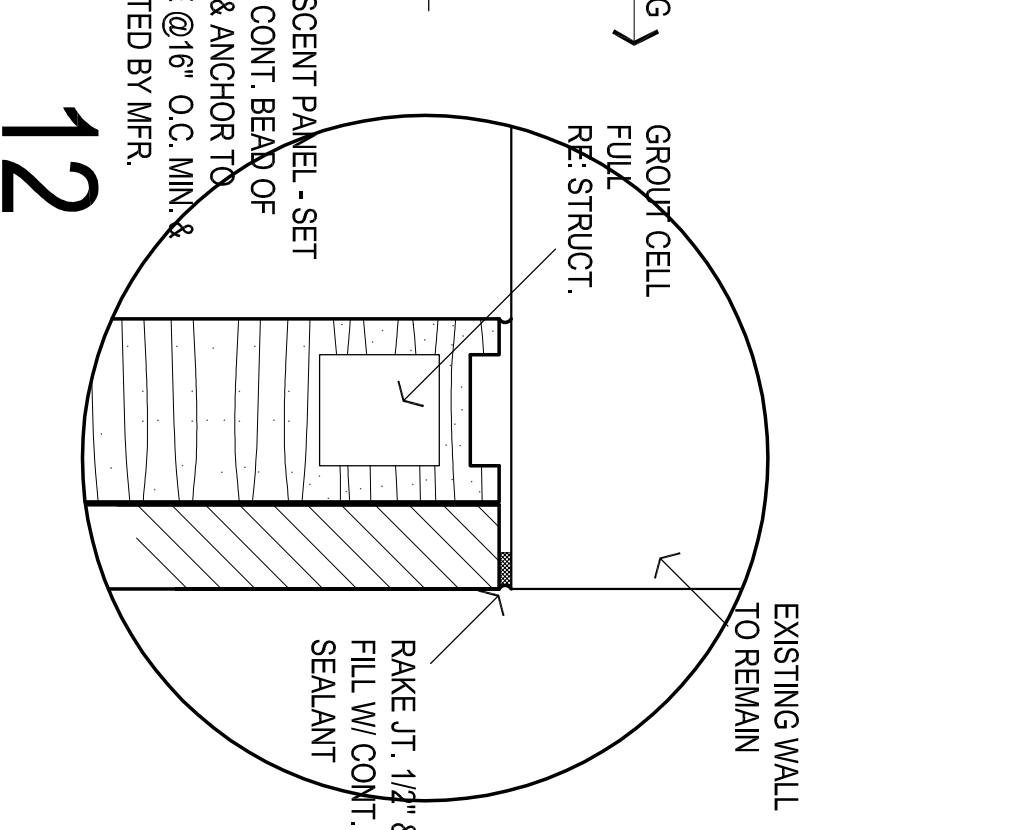
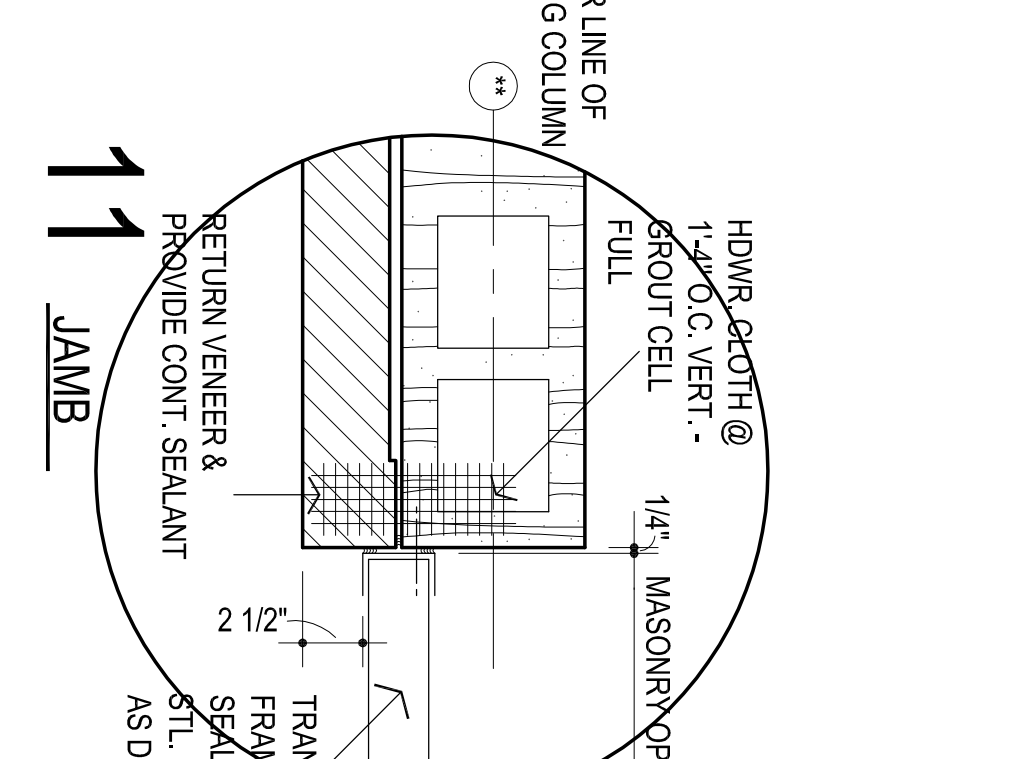
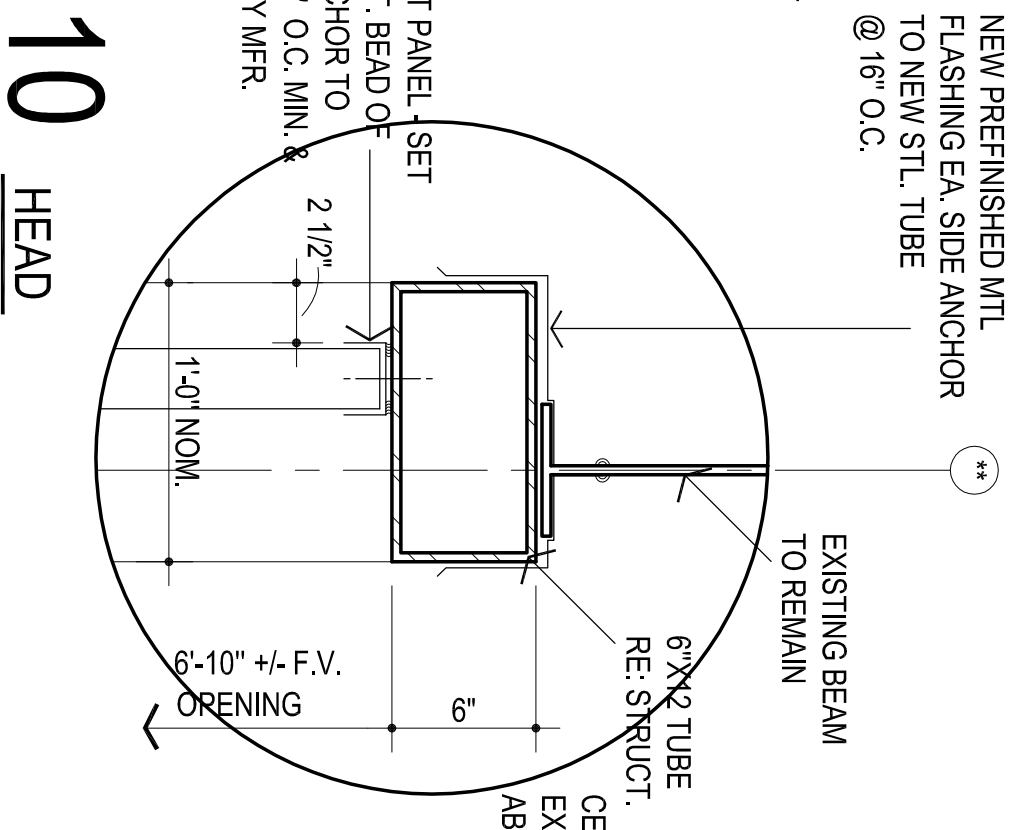
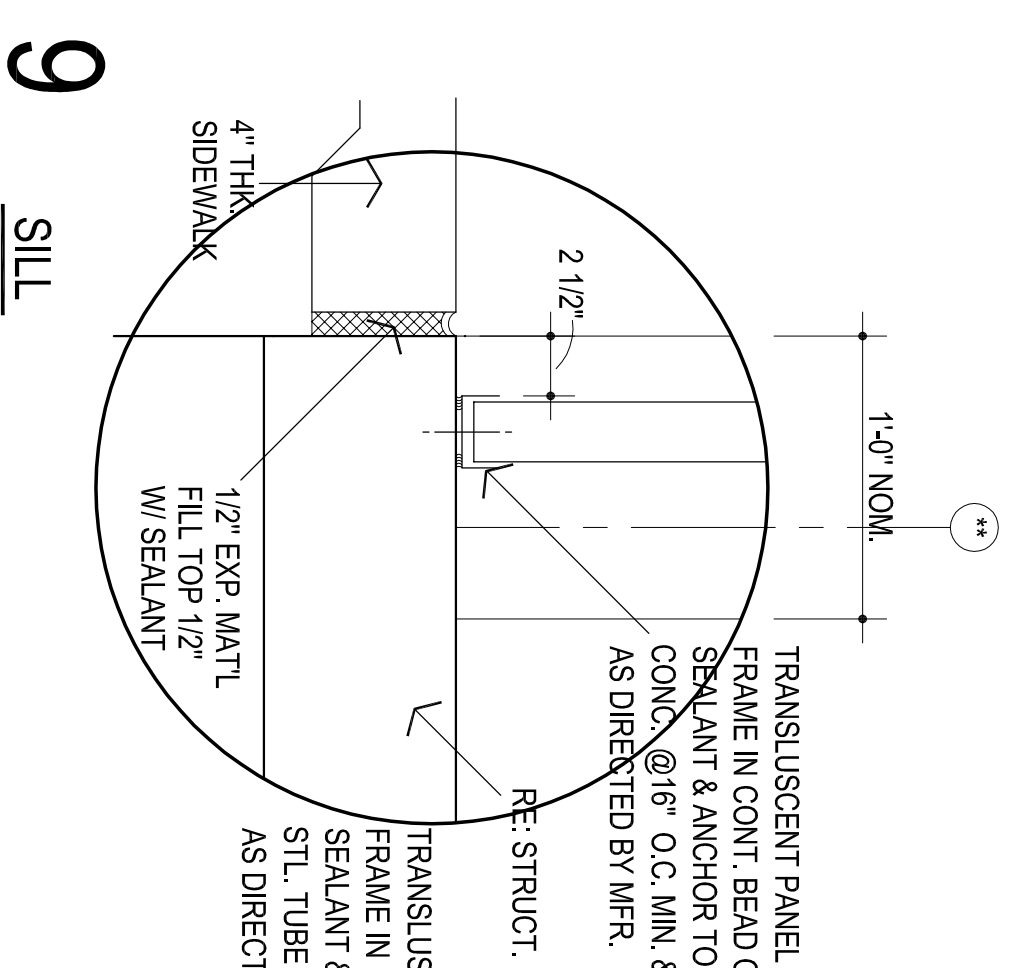
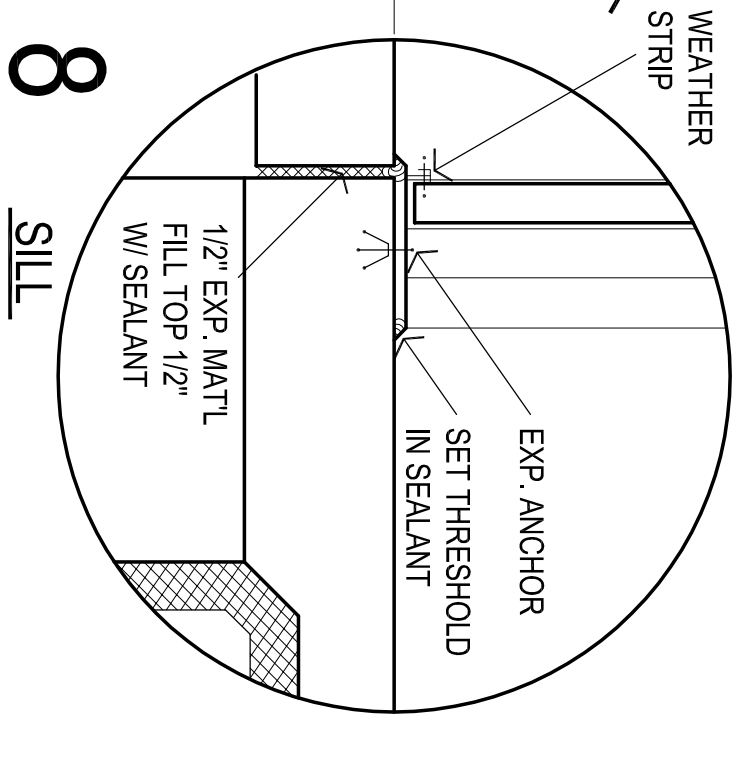
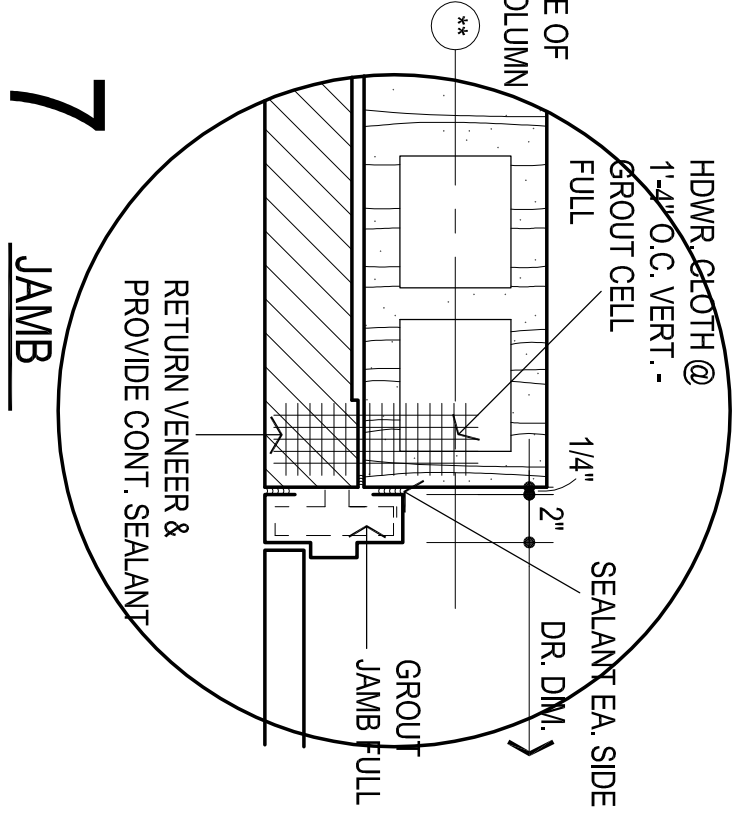
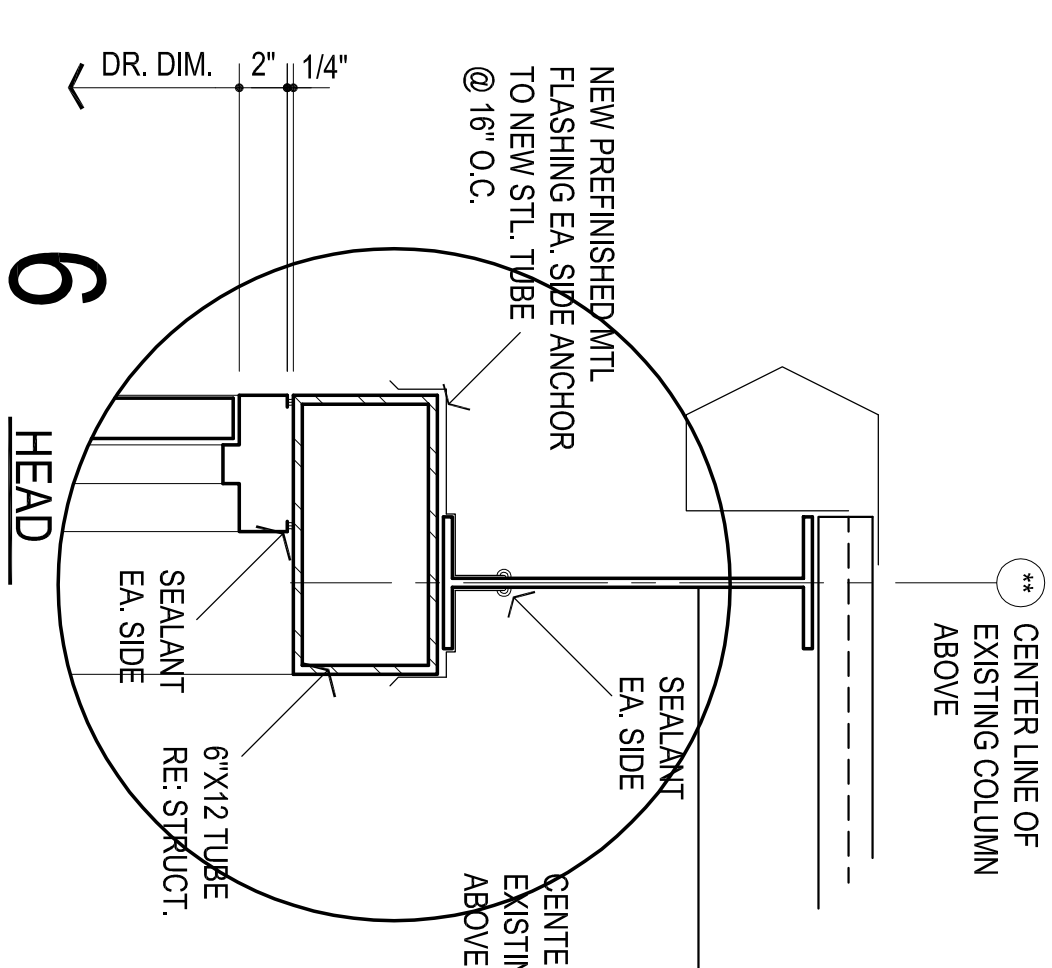
3 FRAME PROFILES



4 FRAME ELEVATIONS



5 DOOR ELEVATIONS



REFER 1A100 FOR LOCATIONS (ALL DOORS & /OR GATES THRU NEW PERIMETER WALLS & FENCE) & SPECIFICATIONS FOR FABRICATION INFORMATION

13 EXTERIOR SIGNAGE

NOT TO SCALE