



CG	drawn by
MA	checked by
MARCH 2026	date
	revisions



WESTMOORE HIGH
SCHOOL FIRE DOOR
REPLACEMENT

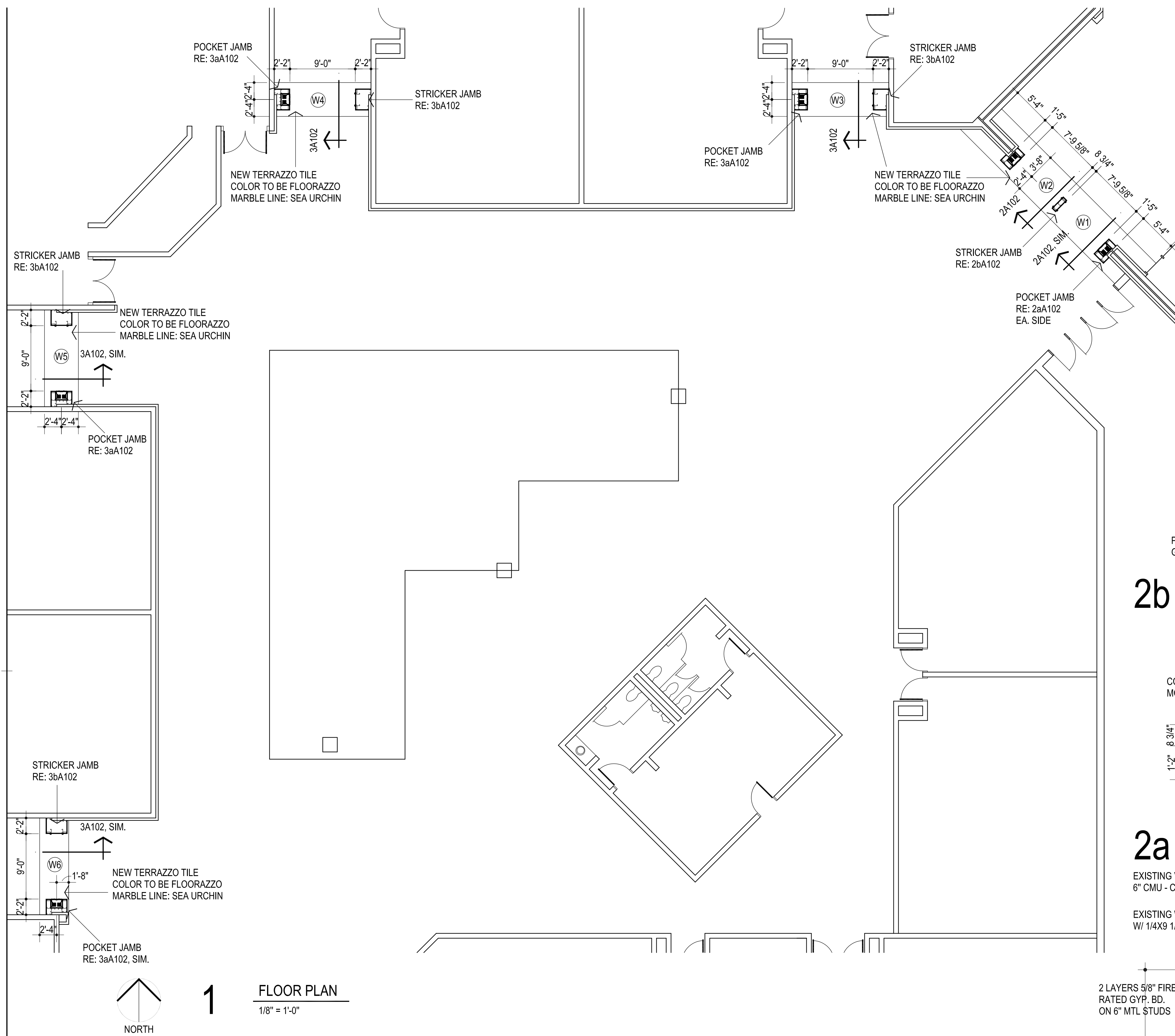
sheet no:

A101

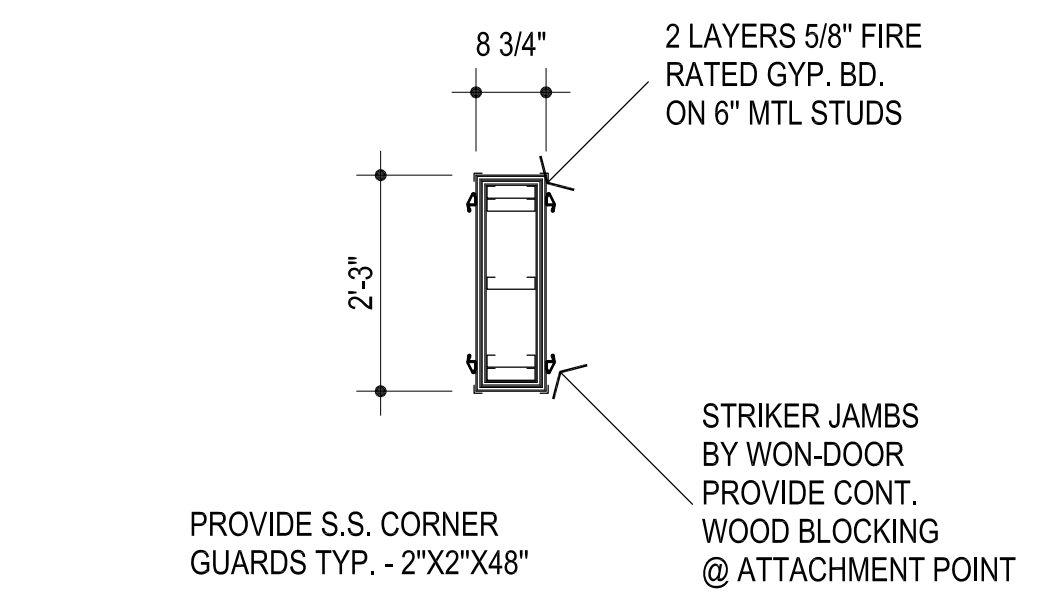
FLOOR PLAN

OWNERSHIP USE OF DOCUMENTS:

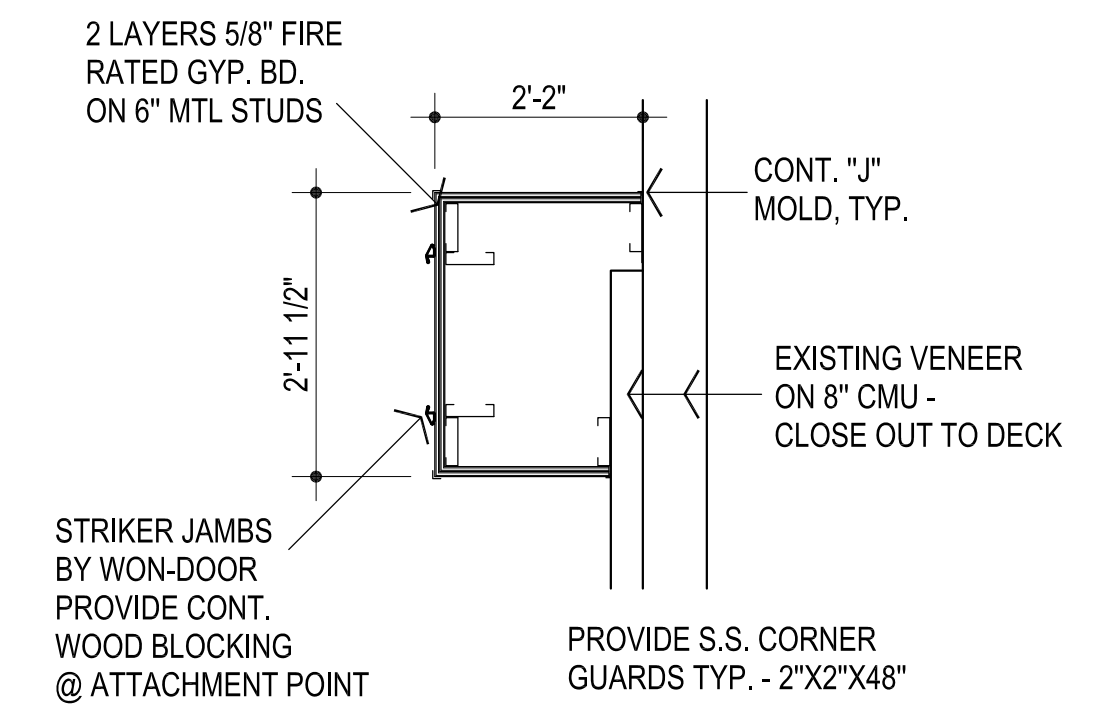
AGP EXPRESSLY RESERVES ITS
COPYRIGHT AND OTHER PROPERTY
RIGHTS OF ALL PLANS AND DRAWINGS
DESIGNED AND/OR PRODUCED. PLANS
AND DRAWINGS ARE NOT TO BE
REPRODUCED IN ANY FORM OR MANNER
WITHOUT THE EXPRESSED WRITTEN
CONSENT OF AGP.



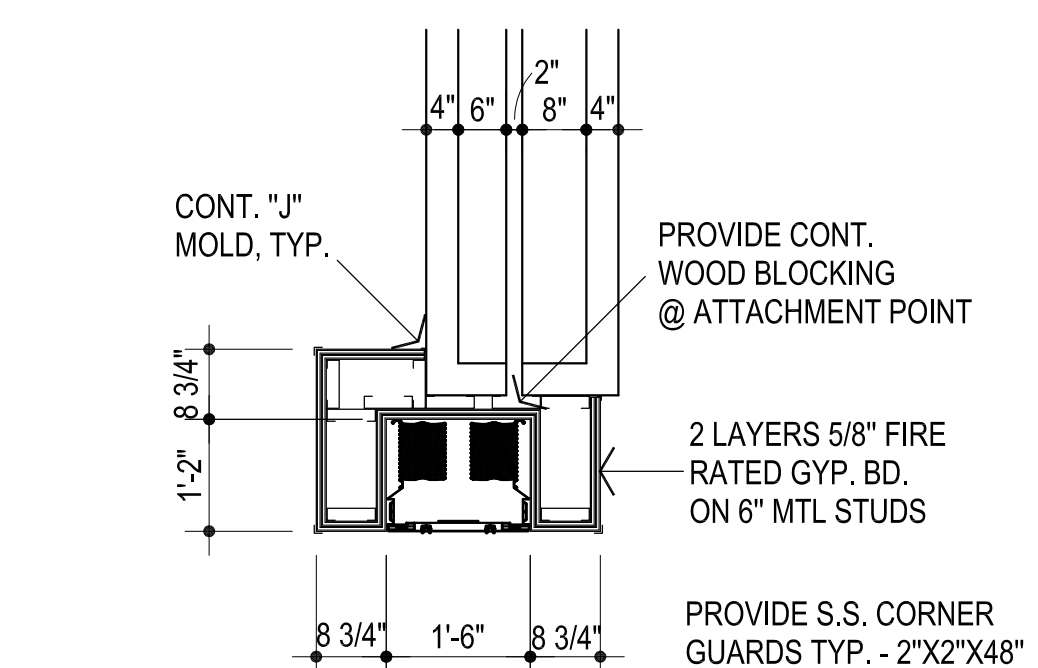
1 FLOOR PLAN
1/8" = 1'-0"



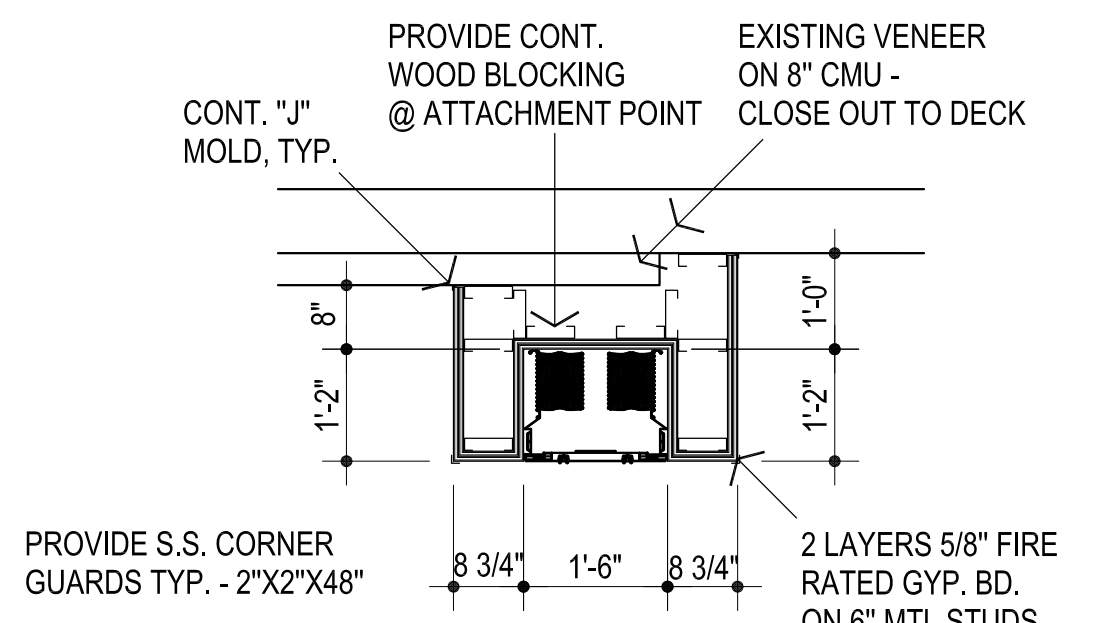
2b STRIKER JAMB
1/2" = 1'-0"



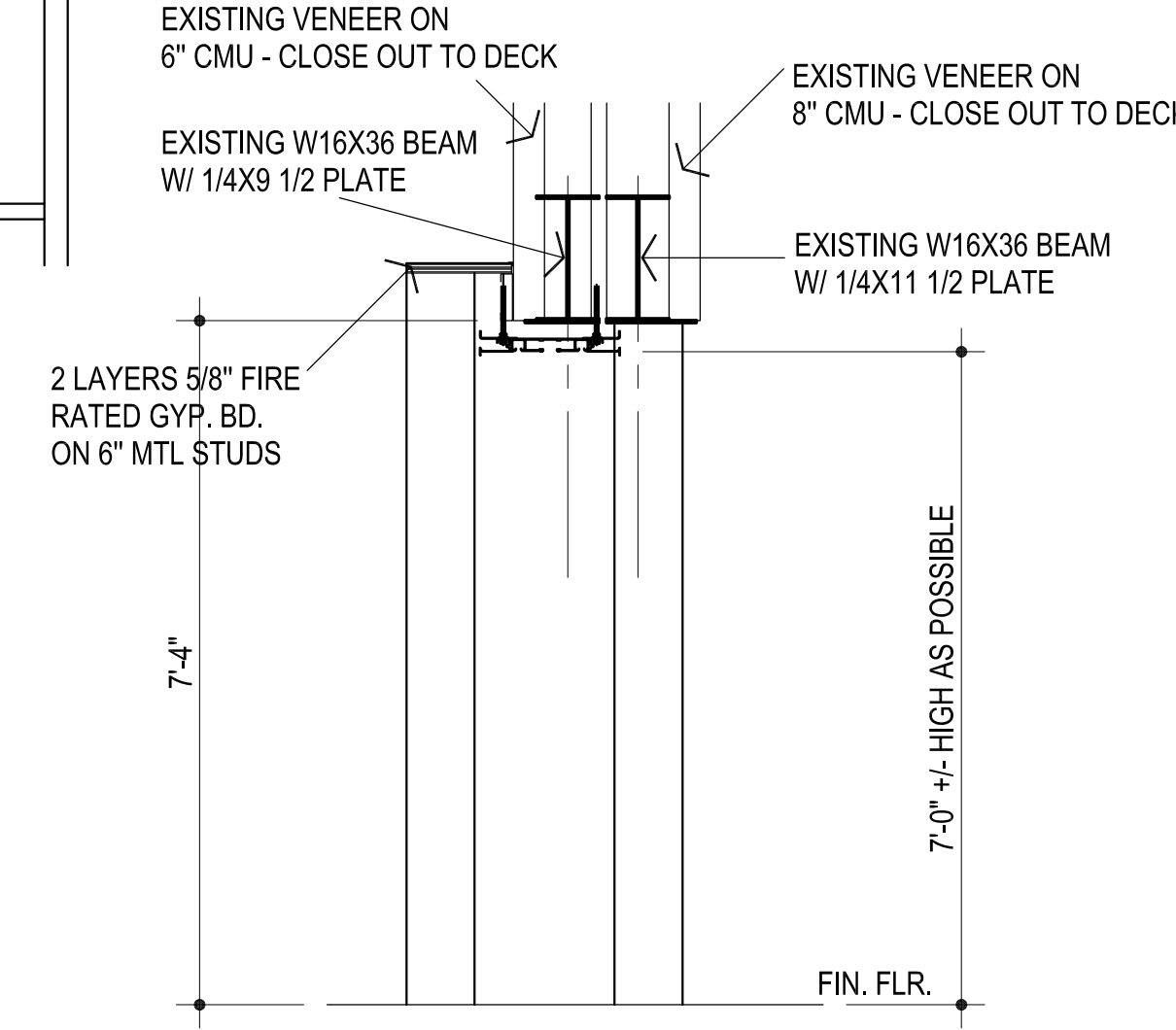
3b STRIKER JAMB
1/2" = 1'-0"



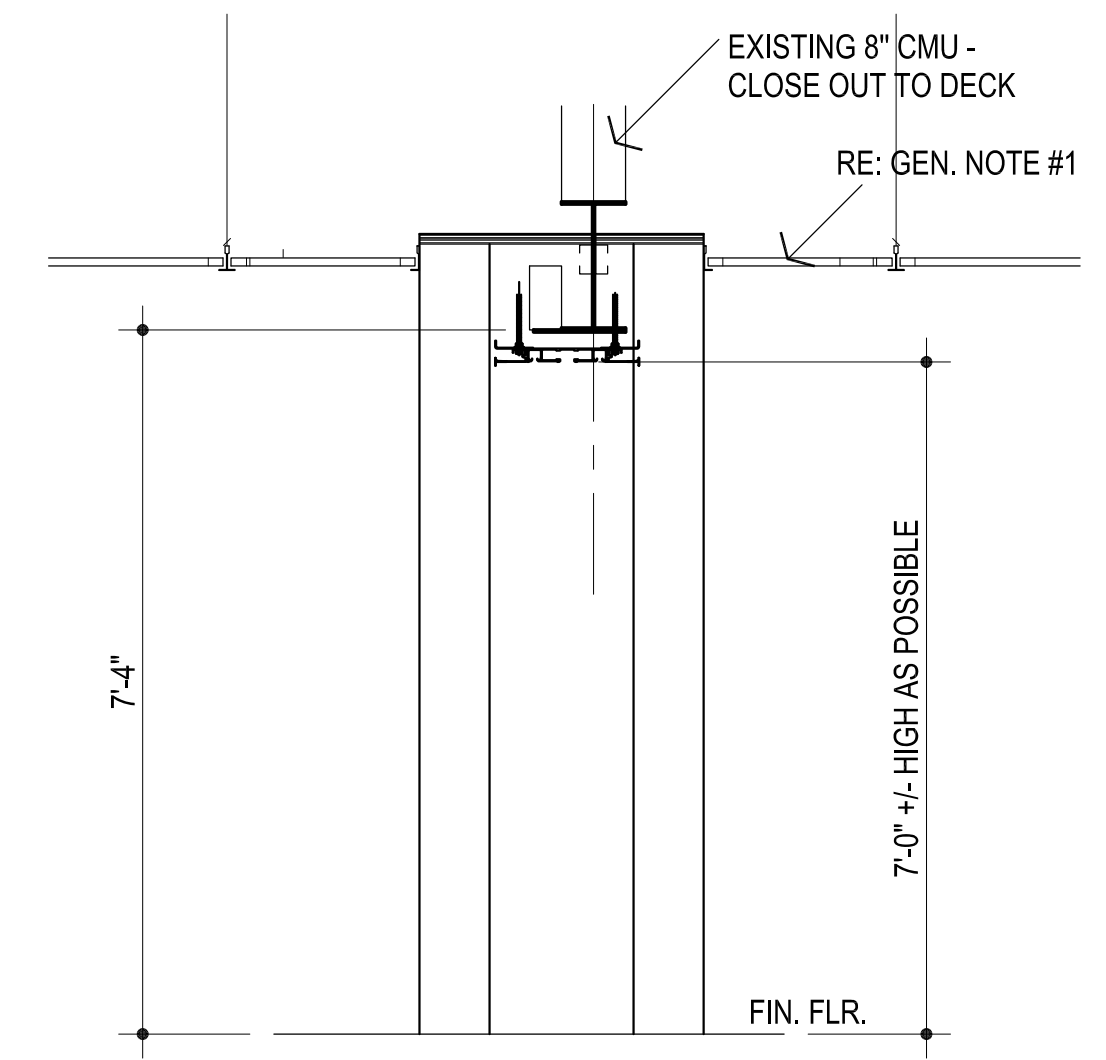
2a POCKET JAMB
1/2" = 1'-0"



3a POCKET JAMB
1/2" = 1'-0"



2 DOOR SECTION - 2 LOCATIONS
1/2" = 1'-0"



3 DOOR SECTION - 4 LOCATIONS
1/2" = 1'-0"

- GENERAL NOTES:**
- REMOVE AND REINSTALL EXISTING CEILING SYSTEM AS REQUIRED FOR WORK. REPLACE ANY DAMAGED ITEMS - MATCH EXISTING.