



GENERAL MECHANICAL NOTES

- ALL WORK SHALL BE IN COMPLIANCE WITH STATE AND LOCAL CODES.
- THE CONTRACTOR SHALL PAY FOR ALL FEES, PERMITS, LICENSES, ETC., NECESSARY FOR PROPER COMPLETION OF THE WORK.
- INSTALL ALL EQUIPMENT IN ACCORDANCE WITH MANUFACTURERS RECOMMENDATIONS.
- VERIFY ALL EXISTING CONDITIONS. NOTIFY ENGINEER OF ANY CONFLICTS BETWEEN CONTRACT DRAWINGS AND ACTUAL CONDITIONS.
- EXISTING UTILITIES TO BE ABANDONED SHALL BE PROPERLY DISCONNECTED AND CAPPED AS REQUIRED BY CODE OR LOCAL ORDINANCE.
- THESE DRAWINGS ARE DIAGRAMMATIC AND SHALL NOT BE SCALED. ADDITIONAL DATA SHALL BE FROM THE ENGINEER THROUGH WRITTEN CLARIFICATION ONLY. VERIFY ALL EXISTING CONDITIONS, ELEVATIONS, AND DIMENSIONS BEFORE PROCEEDING WITH ANY PORTION OF ANY WORK. THE CONTRACTOR SHALL PROVIDE ALL OFFSETS AND TRANSITIONS REQUIRED TO MEET EXISTING CONDITIONS.
- THE CONTRACTOR SHALL PERFORM WORK IN A SKILLED AND PROFESSIONAL MANNER.
- ALL CONTRACTORS ARE RESPONSIBLE TO FIELD COORDINATE WORK SCHEDULE WITH OWNER REPRESENTATIVE.
- THE CONTRACTOR SHALL WORK AND COORDINATE WITH THE OTHER TRADES.
- ALL EQUIPMENT SHALL BE NEW AND IN UNDAMAGED CONDITION. ANY EQUIPMENT FOUND DEFECTIVE SHALL BE IMMEDIATELY REMOVED FROM THE PROJECT.
- PROVIDE 3 COPIES OF AN OPERATION AND MAINTENANCE MANUAL FOR ALL MAJOR EQUIPMENT REQUIRING SERVICE. MAJOR EQUIPMENT INCLUDES BUT IS NOT LIMITED TO COILS, FANS, AND CONTROL WIRING DIAGRAMS. EACH PIECE OF EQUIPMENT SHALL STATE THE CONTRACT DATE AND THE NAME, ADDRESS AND PHONE NUMBER FOR THE PRIME CONTRACTOR, SUBCONTRACTOR PERFORMING THE INSTALLATION, AND THE LOCAL VENDOR FOR SPARE PARTS. THE MANUALS SHALL CONTAIN MAINTENANCE INSTRUCTIONS REQUIRED FOR THE INSTALLED EQUIPMENT. MANUALS SHALL BE BOUND IN A THREE RING HARD COVER BINDER. O & M MANUALS SHALL BE SUBMITTED TO THE OWNER PRIOR TO FINAL WALK THROUGH OF THE PROJECT.
- PROVIDE 8 HOURS OF OWNER TRAINING FOR THE INSTALLED EQUIPMENT. TRAINING SHALL BE HELD ONLY AFTER ALL OF THE EQUIPMENT IS INSTALLED AND PROPER OPERATION IS VERIFIED.
- CONTRACTOR SHALL SUBMIT A CERTIFIED REPORT INDICATING SYSTEM PERFORMANCE INCLUDING, BUT NOT LIMITED TO, VOLTAGE AND AMPERAGE MEASUREMENTS OF ALL EQUIPMENT GREATER THAN 1/3 H.P. AIR BALANCE MEASUREMENTS OF OUTSIDE AIR DELIVERY, AIR HANDLING UNIT SUPPLY, SUPPLY DIFFUSERS, EXHAUST AND RETURN GRILLES. AIR BALANCE SHALL BE WITHIN 10% OF DESIGN CONDITIONS. THE REPORT CERTIFICATION SHALL BE AS FOLLOWS:

I (name) of (company) CERTIFY THAT ALL MEASUREMENTS, FIGURES AND STATEMENTS INDICATED IN THIS REPORT WERE TAKEN BY ME OR UNDER MY SUPERVISION AND ARE ACCURATE AS OF (date). DESIGN FLOWS WERE BASED UPON PLANS DATED (xx/xx/xx).
- DUCT MATERIAL SHALL BE GALVANIZED OR ALUMINUM CONSTRUCTION IN ACCORDANCE WITH SMACNA DUCT CONSTRUCTION STANDARD 2005 FOR THE PRESSURE AND SEAL CLASS LISTED IN DUCTWORK/INSULATION SCHEDULE.
- DUCT SIZES LISTED ON PLANS ARE THE REQUIRED CLEAR INTERIOR DIMENSIONS.
- SUPPLY AND RETURN BRANCH DUCTS MAY BE INSULATED FLEX DUCT IF THE RUN IS LESS THAN 5 FEET IN LENGTH. ANY LENGTHS OVER 5 FEET SHALL BE RIGID DUCTWORK, DUCT SHALL BE THE SAME SIZE AS THE LISTED DIFFUSER THROAT UNLESS NOTED OTHERWISE.
- PROVIDE VOLUME CONTROL DAMPERS WHERE INDICATED AND AT ALL TAKEOFFS, BOTH SUPPLY AND RETURN SYSTEMS, AND MAJOR DUCT RUNS. DAMPERS SHALL BE FACTORY-FABRICATED WITH ZINC-PLATED, DIE-CAST CONTROL HARDWARE. CONTROL HARDWARE SHALL INCLUDE HEAVY GAUGE DIAL AND HANDLE WITH ELEVATED PLATFORM FOR INSULATED DUCT MOUNTING.
- PROVIDE TURNING VANES IN ALL RECTANGULAR ELBOWS CONFORMING TO SMACNA DUCT CONSTRUCTION STANDARD 2005 FIG. 4-2 TYPE RE-3 WITH STANDARD RADIUS. WHERE SPACE PERMITS, PROVIDE RADIUS ELBOWS IN ACCORDANCE WITH FIGURES 4-2, TYPE RE-1.
- ALL RECTANGULAR MAIN TO RECTANGULAR BRANCH CONNECTIONS, BOTH CONVERGING AND DIVERGING CONFIGURATIONS, SHALL HAVE A 45 DEG. ENTRY TAP CONSTRUCTED IN ACCORDANCE WITH SMACNA DUCT CONSTRUCTION STANDARD 2005 FIG. 4-6.
- DIFFUSER PATTERN 4-WAY UNLESS OTHERWISE INDICATED. PROVIDE FIBERGLASS DUCT INSULATION WITH VAPOR BARRIER AS SCHEDULED UNLESS NOTED OTHERWISE.
- MECHANICAL CONTRACTOR TO REPAIR ANY DAMAGE DONE TO THE FIRE PROOFING WHILE INSTALLING THE MECHANICAL TRADES. SEAL ALL PENETRATIONS THROUGH RATED STRUCTURES WITH UL LISTED FIRE SEAL DESIGNED FOR THE SPECIFIED APPLICATION.
- THE CONTRACTOR SHALL TAKE ALL PRECAUTIONARY MEASURES TO PROTECT THE PUBLIC AND ADJACENT PROPERTIES FROM DAMAGE THROUGHOUT CONSTRUCTION.
- THE CONTRACTOR SHALL GUARANTEE ALL WORKMANSHIP AND MATERIALS FOR A PERIOD OF ONE (1) YEAR FROM THE DATE OF SUBSTANTIAL COMPLETION OR AS OTHERWISE REQUIRED IN THE SPECIFICATIONS.
- MECHANICAL CONTRACTOR TO INCLUDE THE TEST AND BALANCE, AND ANY PERMIT FEES IN THEIR BID.
- MECHANICAL CONTRACTOR SHALL VERIFY ALL ROOFTOP EQUIPMENT WEIGHTS, SIZES, LOCATIONS AND OPENINGS REQUIRED AND SHALL COORDINATE ANY CHANGES WITH THE ARCHITECT.
- UPON PROJECT COMPLETION, RECORD (AS-BUILT) DRAWINGS SHALL BE PROVIDED BY THE CONTRACTOR TO THE BUILDING OWNER. ALL CHANGES MADE TO EQUIPMENT, DUCTWORK, AND GENERAL DESIGN SHALL BE NOTED ON THE DRAWINGS. PROVIDE IN PDF FORMAT OR PRINTED SET AT THE OWNER'S REQUEST.

ABBREVIATIONS

A	AMP	IN	INCH
ADD	ADDENDUM	LAT	LEAVING AIR TEMPERATURE
ADJ	ADJUSTABLE	LB	POUND
AFF	ABOVE FINISH FLOOR	LWT	LEAVING WATER TEMPERATURE
AHU	AIR HANDLER UNIT	MAX	MAXIMUM
AI	ANALOG INPUT	MBH	1000 BTU PER HOUR
ALT	ALTERNATE	MC	MECHANICAL CONTRACTOR
AO	ANALOG OUTPUT	MCA	MINIMUM CIRCUIT AMPS
APPRX	APPROXIMATE	MECH	MECHANICAL
ARCH	ARCHITECT, ARCHITECTURAL	MFR	MANUFACTURER
BDD	BACK DRAFT DAMPER	MIN	MINIMUM
BLDG	BUILDING	NTS	NOT TO SCALE
BTUH	BRITISH THERMAL UNIT PER HOUR	OA	OUTSIDE AIR
C	CENTER	OC	ON CENTER
CD	CEILING DIFFUSER	P	PUMP
CFM	CUBIC FEET PER MINUTE	PC	PLUMBING CONTRACTOR
CO	CLEAN OUT	PLBG	PLUMBING
COND	CONDENSATE	PSI	POUNDS PER SQUARE INCH
CONT	CONTINUOUS	QTY	QUANTITY
COP	COEFFICIENT OF PERFORMANCE	RA	RETURN AIR
DB	DRY BULB	REQD	REQUIRED
DET	DETAIL	REV	REVERSE OR REVISION
DG	DOOR GRILLE	RG	RETURN AIR GRILLE
DI	DIGITAL INPUT	RH	ROOF HOOD VENT
DIA OR Ø	DIAMETER	RHV	ROOF HOOD INTAKE
DIM	DIMENSION	RPM	REVOLUTIONS PER MINUTE
DN	DOWN	RTU	ROOF TOP UNIT
DO	DIGITAL OUTPUT	SA	SUPPLY AIR
DWG	DRAWING	SQFT	SQUARE FEET
EA	EXHAUST AIR	SG	SUPPLY GRILLE
EAT	ENTERING AIR TEMPERATURE	SP	STATIC PRESSURE
EC	ELECTRICAL CONTRACTOR	SPEC	SPECIFICATIONS
EER	ENERGY EFFICIENCY RATIO	SS	STAINLESS STEEL
EF	EXHAUST FAN	T&B	TEST AND BALANCE
EG	EXHAUST GRILLE	TEMP	TEMPERATURE OR TEMPORARY
ELEC	ELECTRICAL	TC	TRANSFER GRILLE
ERV	ENERGY RECOVERY VENTILATOR	TYP	TYPICAL
ESP	EXTERNAL STATIC PRESSURE	V	VOLT
EW	ENTERING WATER TEMPERATURE	VAR	VARIABLE OR VARIES
EXIST	EXISTING	VEL	VELOCITY
FA	FRESH AIR	VFD	VARIABLE FREQUENCY DRIVE
FPM	FEET PER MINUTE	VTR	VENT THRU ROOF
FT	FOOT (FEET)	W/	WITH
GA	GAUGE/GAGE	W/IN	WITHIN
GALV	GALVANIZED	W/O	WITHOUT
GC	GENERAL CONTRACTOR	WG	WET BULB
GPM	GALLONS PER MINUTE	WC	WATER COLUMN (INCHES OF)
GYP	GYPSONUM	WT	WEIGHT
HORIZ	HORIZONTAL		
HP	HORSEPOWER		
HT	HEIGHT		
I/O	INPUT/OUTPUT		

MECHANICAL HVAC LEGEND

EXHAUST AIR DUCT (DOWN)			EXHAUST AIR DUCT (UP)
RETURN AIR DUCT (DOWN)			RETURN AIR DUCT (UP)
OUTSIDE OR SUPPLY AIR DUCT (DOWN)			OUTSIDE OR SUPPLY AIR DUCT (UP)
DUCT SIZE			NEW DUCTWORK
FLEX DUCT			EXISTING DUCTWORK
DEMOLITION LINETYPE			SUPPLY AIR CEILING DIFFUSER
RETURN AIR GRILLE			EXHAUST AIR GRILLE
DIFFUSER, GRILLE, AND REGISTER CALL-OUTS			SCHEDULED EQUIPMENT TAG
MANUAL BALANCING DAMPER			PIPE PENETRATION THROUGH FIRE RATED WALL
FIRE DAMPER			SMOKE DAMPER
MOTORIZED DAMPER			FIRE/SMOKE DAMPER
THERMOSTAT			HUMIDISTAT
REMOTE SENSOR			CARBON DIOXIDE SENSOR
DUCT SMOKE DETECTOR			CARBON MONOXIDE SENSOR

MECHANICAL SHEET INDEX

M000	MECHANICAL LEGEND AND NOTES
MD101	MECHANICAL DEMOLITION PLAN
M101	MECHANICAL FLOOR PLAN
M201	MECHANICAL ROOF PLAN
M501	MECHANICAL DETAILS
M502	MECHANICAL DETAILS
M601	MECHANICAL SCHEDULES

KF

drawn by

DG

checked by

AUGUST 2025

date

revisions



Salas O'Brien, Inc. - Oklahoma City
2900 S. Telephone Road, Suite 120
Moore, OK 73160
CA# 9820 Expiration Date : 6/30/2027
Salas O'Brien Project Number: 2550-01165-00

OWNERSHIP USE OF DOCUMENTS:

AGP EXPRESSLY RESERVES ITS COPYRIGHT AND OTHER PROPERTY RIGHTS OF ALL PLANS AND DRAWINGS DESIGNED AND/OR PRODUCED. PLANS AND DRAWINGS ARE NOT TO BE REPRODUCED IN ANY FORM OR MANNER WITHOUT THE EXPRESSED WRITTEN CONSENT OF AGP.

WESTMOORE HIGH SCHOOL ENTRY UPGRADES

sheet no:

M000

CEDAR CREEK
CIVIL

KFC ENGINEERING
STRUCTURAL

SALAS O'BRIEN
MECHANICAL / ELECTRICAL

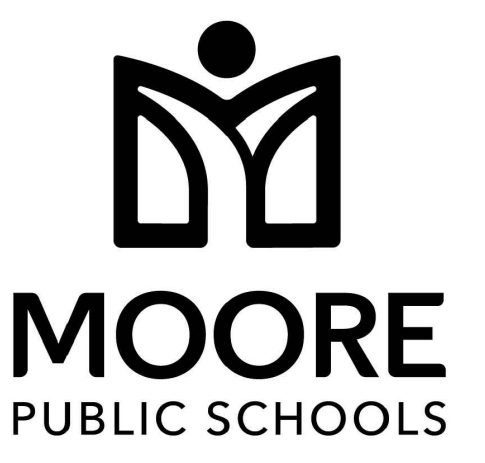


KF
drawn by

DG
checked by

AUGUST 2025
date

revisions



WESTMOORE HIGH
SCHOOL ENTRY
UPGRADES

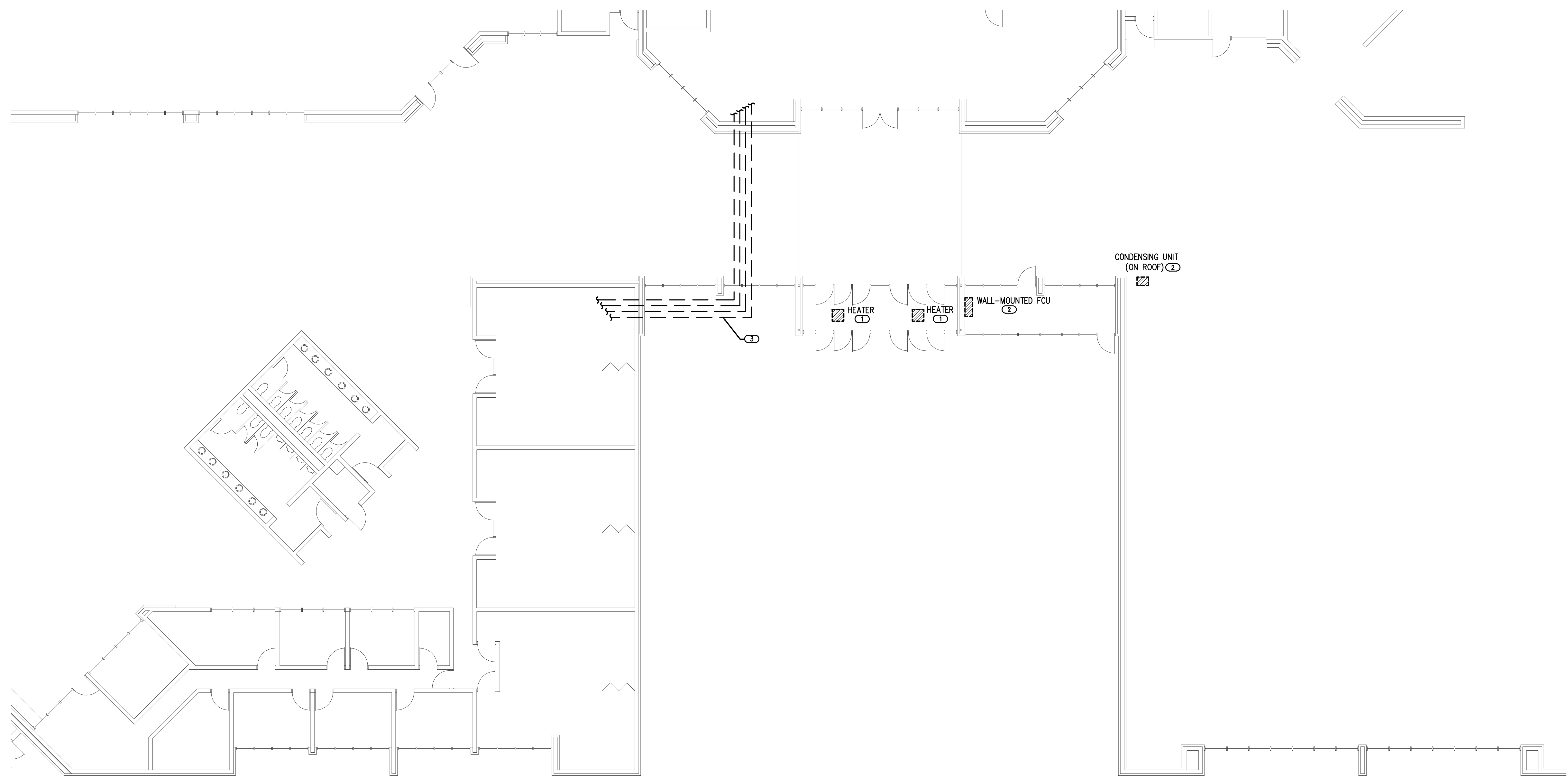
sheet no:

MD101

OWNERSHIP USE OF DOCUMENTS:
AGP EXPRESSLY RESERVES ITS
COPYRIGHT AND OTHER PROPERTY
RIGHTS OF ALL PLANS AND DRAWINGS
DESIGNED AND/OR PRODUCED. PLANS
AND DRAWINGS ARE NOT TO BE
REPRODUCED IN ANY FORM OR MANNER
WITHOUT THE EXPRESSED WRITTEN
CONSENT OF AGP.

KEYED NOTES	
1	DEMOLISH CEILING HEATERS, HANGERS, AND THERMOSTAT. COORDINATE REMOVAL OF ELECTRICAL DISCONNECT AND WIRING WITH E.C.
2	DEMOLISH MINI SPLIT, ASSOCIATED REFRIGERANT PIPING, HANGERS, THERMOSTAT, AND CONDENSATE PIPING. PATCH AND INSULATE ALL ROOF PENETRATIONS WATER TIGHT TO MATCH EXISTING. COORDINATE REMOVAL OF ELECTRICAL DISCONNECT AND WIRING WITH E.C.
3	UNDERGROUND MECHANICAL PIPES EXISTING TO REMAIN.

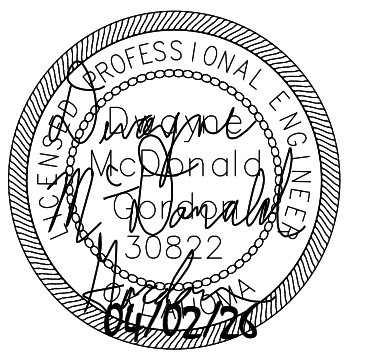
GENERAL NOTES	
1.	COORDINATE DEMOLITION OF EQUIPMENT WITH ALL TRADES, CONSTRUCTION MANAGER, AND ARCHITECT.
2.	CONTRACTOR TO FIELD VERIFY EXISTING CONDITIONS PRIOR TO PERFORMING WORK. LOCATIONS OF EXISTING EQUIPMENT ARE DIAGRAMMATICAL IN NATURE.
3.	CONTRACTOR SHALL REPAIR AND/OR REPLACE ANY UNINTENDED DAMAGES TO SURROUNDING AREAS DUE TO DEMOLITION.
4.	OWNER SHALL HAVE FIRST SALVAGE RIGHTS OF DEMOLISHED EQUIPMENT. DISPOSE OF EQUIPMENT ACCORDING TO CODE. RECYCLE ALL RECYCLABLE MATERIALS.



1 MECHANICAL DEMOLITION PLAN
SCALE: 3/32" = 1'-0"



Salas O'Brien
Salas O'Brien, Inc. - Oklahoma City
2900 S. Telephone Road, Suite 120
Moore, OK 73160
CA# 9820 Expiration Date : 6/30/2027
Salas O'Brien Project Number: 2550-01165-00



drawn by	KF
checked by	DG
date	AUGUST 2025
revisions	



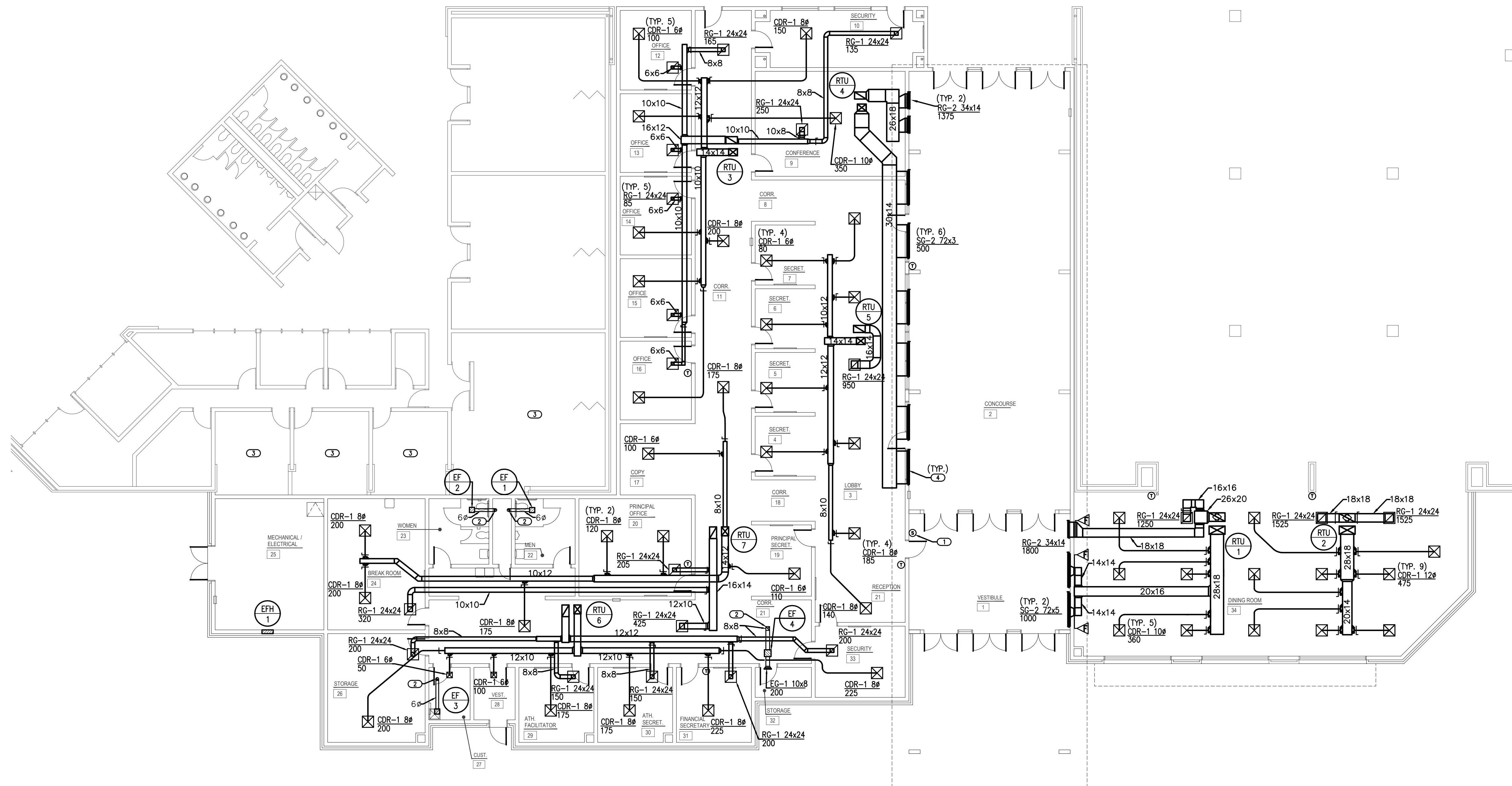
sheet no:

M101

OWNERSHIP USE OF DOCUMENTS:
AGP EXPRESSLY RESERVES ITS
COPYRIGHT AND OTHER PROPERTY
RIGHTS OF ALL PLANS AND DRAWINGS
DESIGNED AND/OR PRODUCED. PLANS
AND DRAWINGS ARE NOT TO BE
REPRODUCED IN ANY FORM OR MANNER
WITHOUT THE EXPRESSED WRITTEN
CONSENT OF AGP.

- KEYED NOTES**
- PROVIDE TEMPERATURE SENSOR FOR RTU-1.
 - DUCT UP TO ROOF HOOD.
 - EXISTING AIR DEVICES IN ROOM TO BE REUSED. CLEAN AIR DEVICES AND ENSURE THEY ARE IN GOOD WORKING ORDER. RECONNECT AIR DEVICES TO DUCTWORK AND ALIGN WITH NEW CEILING GRID.
 - MOUNT AIR DEVICE AT 13'-4" AFF. ALIGN AIR DEVICE TO CENTER ON TILE. REFER TO ARCHITECTURAL PLANS FOR MORE INFORMATION.

- GENERAL NOTES**
- COORDINATE INSTALLATION OF EQUIPMENT AND DUCTWORK WITH ALL TRADES.
 - COORDINATE LOCATION OF THERMOSTATS WITH E.C. ROUGH-IN BY E.C.
 - FLEX DUCT SIZE TO SUPPLY DIFFUSER IS DESIGNATED BY AIR DEVICE TAG.



1 MECHANICAL FLOOR PLAN
SCALE: 3/32" = 1'-0"



Salas O'Brien
Salas O'Brien, Inc. - Oklahoma City
2900 S. Telephone Road, Suite 120
Moore, OK 73160
CA# 9820 Expiration Date: 6/30/2027
Salas O'Brien Project Number: 2550-01165-00

- GENERAL NOTES**
1. ALL ROOF TOP EQUIPMENT TO BE LOCATED A MINIMUM OF 10'-0" AWAY FROM ROOF EDGE.
 2. MAINTAIN A MINIMUM OF 10'-0" HORIZONTAL CLEARANCE BETWEEN ALL EXHAUST OUTLETS AND ANY FRESH AIR INTAKES.
 3. MOUNT ROOF CURBS LEVEL ON PITCHED ROOF.
 4. ALL ROOF SUPPORT SYSTEMS ARE TO BE MANUFACTURED FOR THE ROOF MATERIAL/SYSTEM TO BE INSTALLED. REFER TO ARCH PLANS FOR THE ROOF SYSTEM. CURB INSTALLATION TO BE WARRANTIED BY ROOFING CONTRACTOR.
 5. ROUTE ALL CONDENSATE TO NEAREST OPEN SITE DRAIN.

AGP
the Abila Griffin
Partnership L.L.C.

313 S. E. 5th Street
MOORE, OK. 73160
405.735.3477
AGP@theAGP.net
www.theAGP.net

CEDAR CREEK
CIVIL

KFC ENGINEERING
STRUCTURAL

SALAS O'BRIEN
MECHANICAL / ELECTRICAL



KF
drawn by

DG
checked by

AUGUST 2025
date

revisions

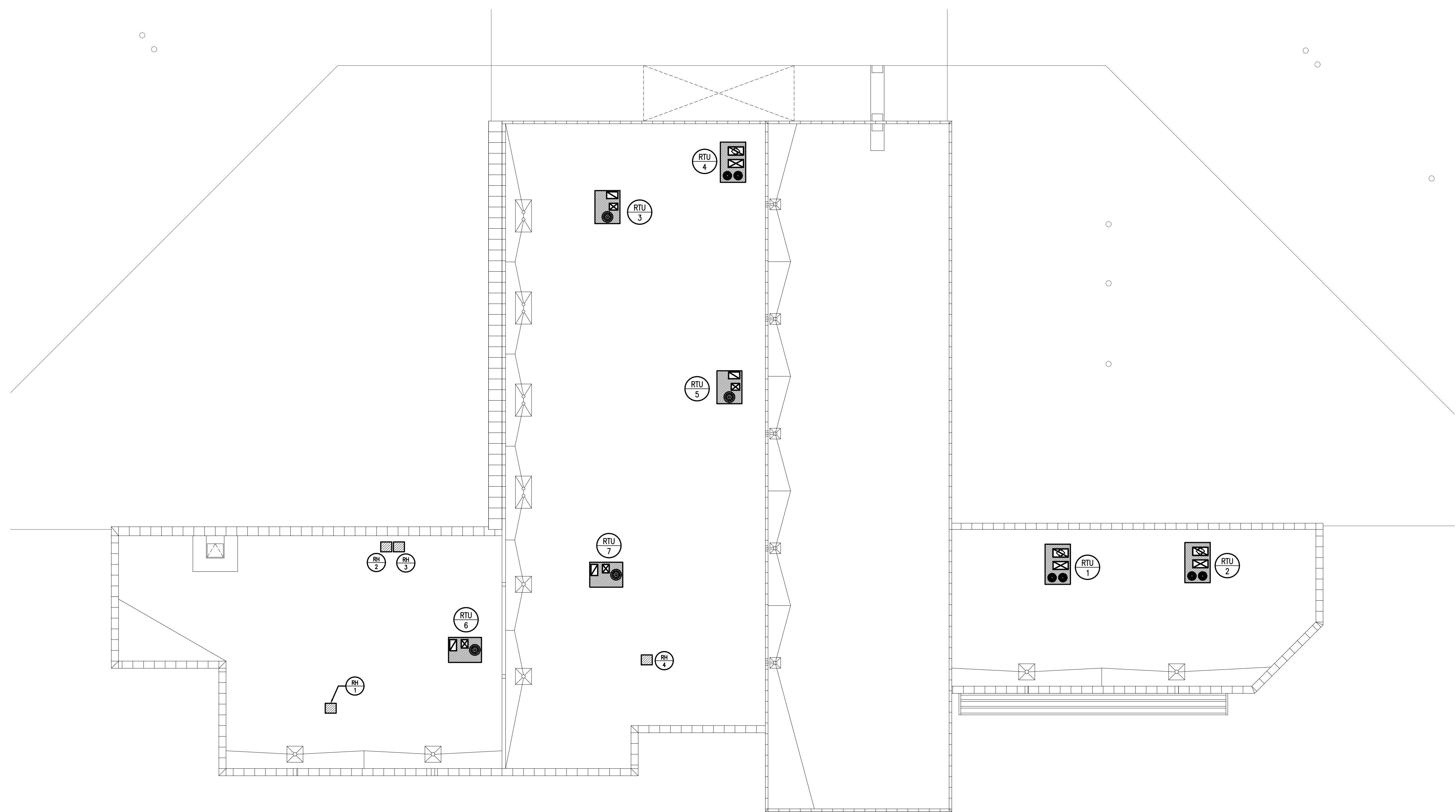


WESTMOORE HIGH
SCHOOL ENTRY
UPGRADES

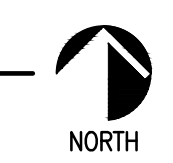
sheet no:

M201

OWNERSHIP USE OF DOCUMENTS:
AGP EXPRESSLY RESERVES ITS COPYRIGHT AND OTHER PROPERTY RIGHTS OF ALL PLANS AND DRAWINGS DESIGNED AND/OR PRODUCED. PLANS AND DRAWINGS ARE NOT TO BE REPRODUCED IN ANY FORM OR MANNER WITHOUT THE EXPRESSED WRITTEN CONSENT OF AGP.

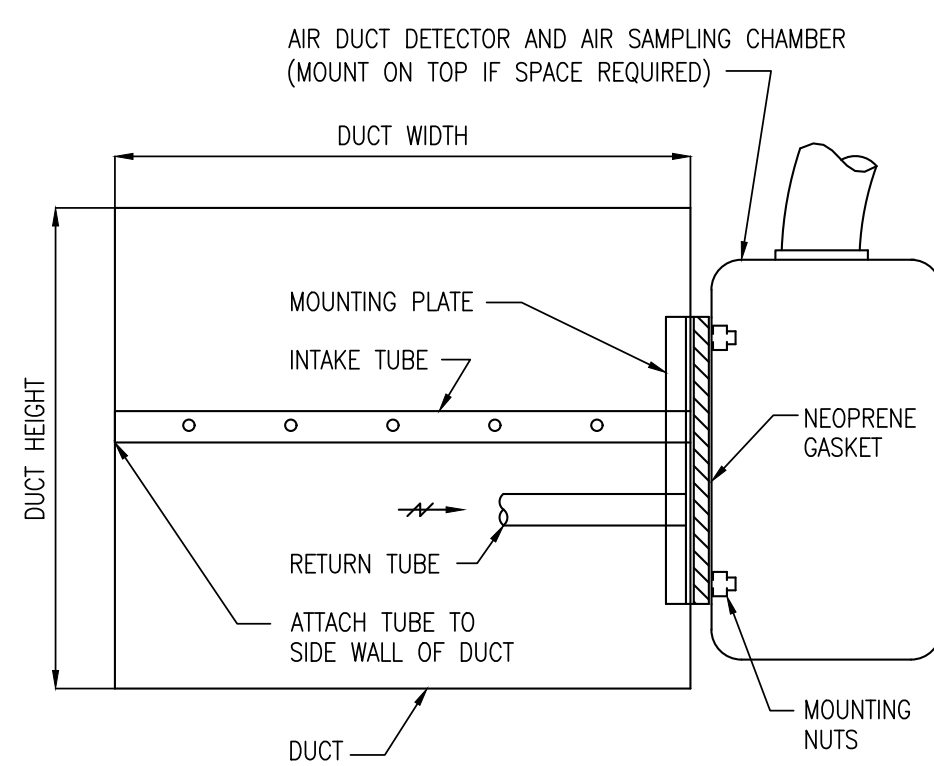


1 MECHANICAL ROOF PLAN
SCALE: 3/32" = 1'-0"



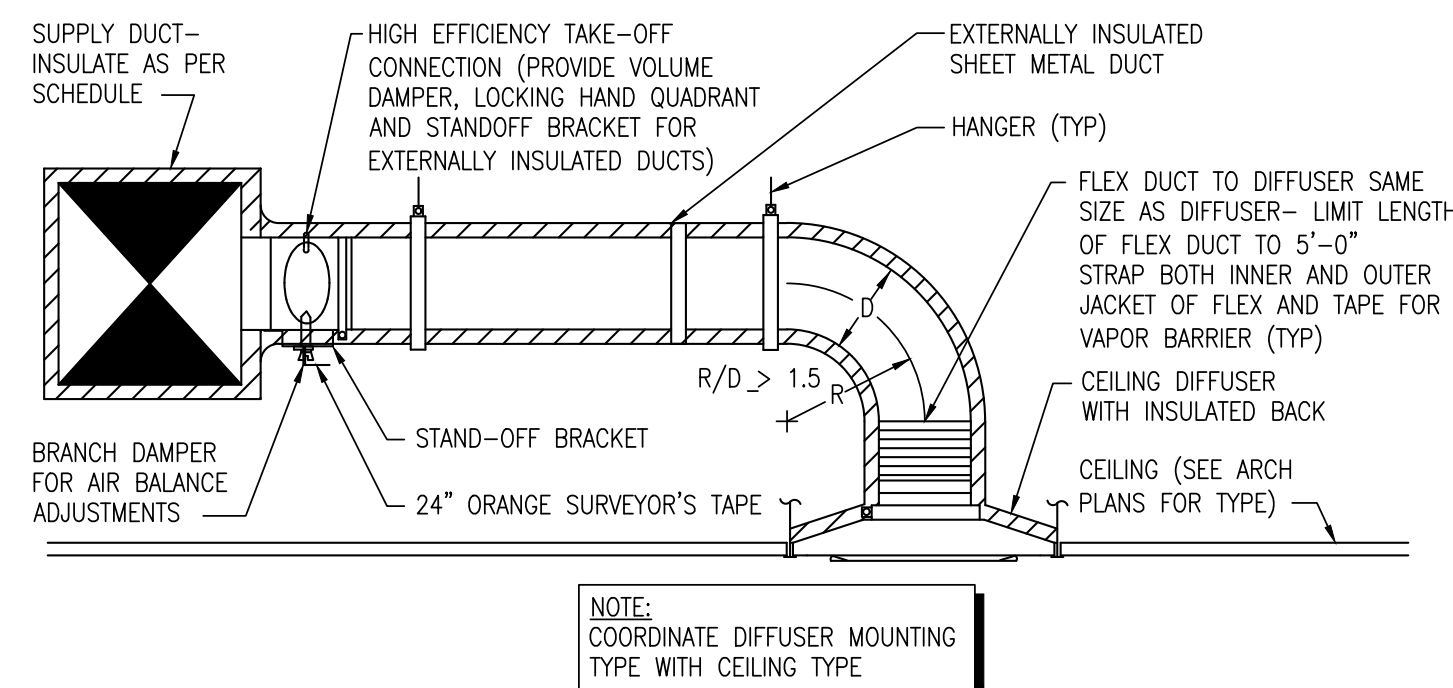
Salas O'Brien

Salas O'Brien, Inc. - Oklahoma City
2900 S. Telephone Road, Suite 120
Moore, OK 73160
CA# 9820 Expiration Date : 6/30/2027
Salas O'Brien Project Number: 2550-01165-00

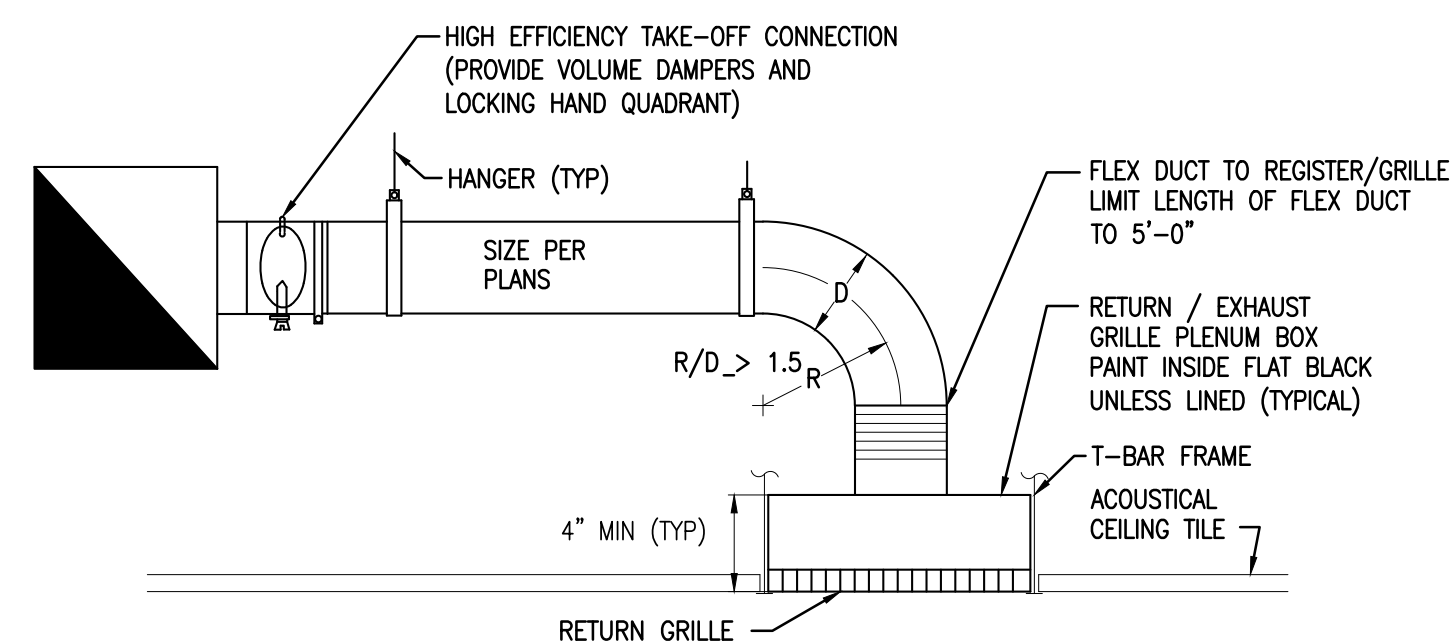


- NOTES:**
1. SMOKE DETECTOR FURNISHED AND WIRED BY ELECTRICAL CONTRACTOR, AND MOUNTED BY MECHANICAL CONTRACTOR.
 2. INSTALL IN STRICT ACCORDANCE WITH MANUFACTURER'S INSTALLATION INSTRUCTIONS.
 3. PROVIDE ACCESS DOOR AT SAMPLING TUBES.
 4. THE TUBE SHALL BE INSTALLED PARALLEL TO LONG DIMENSION OF DUCT.
 5. PRODUCT SHALL BE UL555 OR UL555S LISTED.
 6. EC SHALL TEST ACCORDING TO UL AND CODES IN THE PRESENCE OF CODE AUTHORITY.

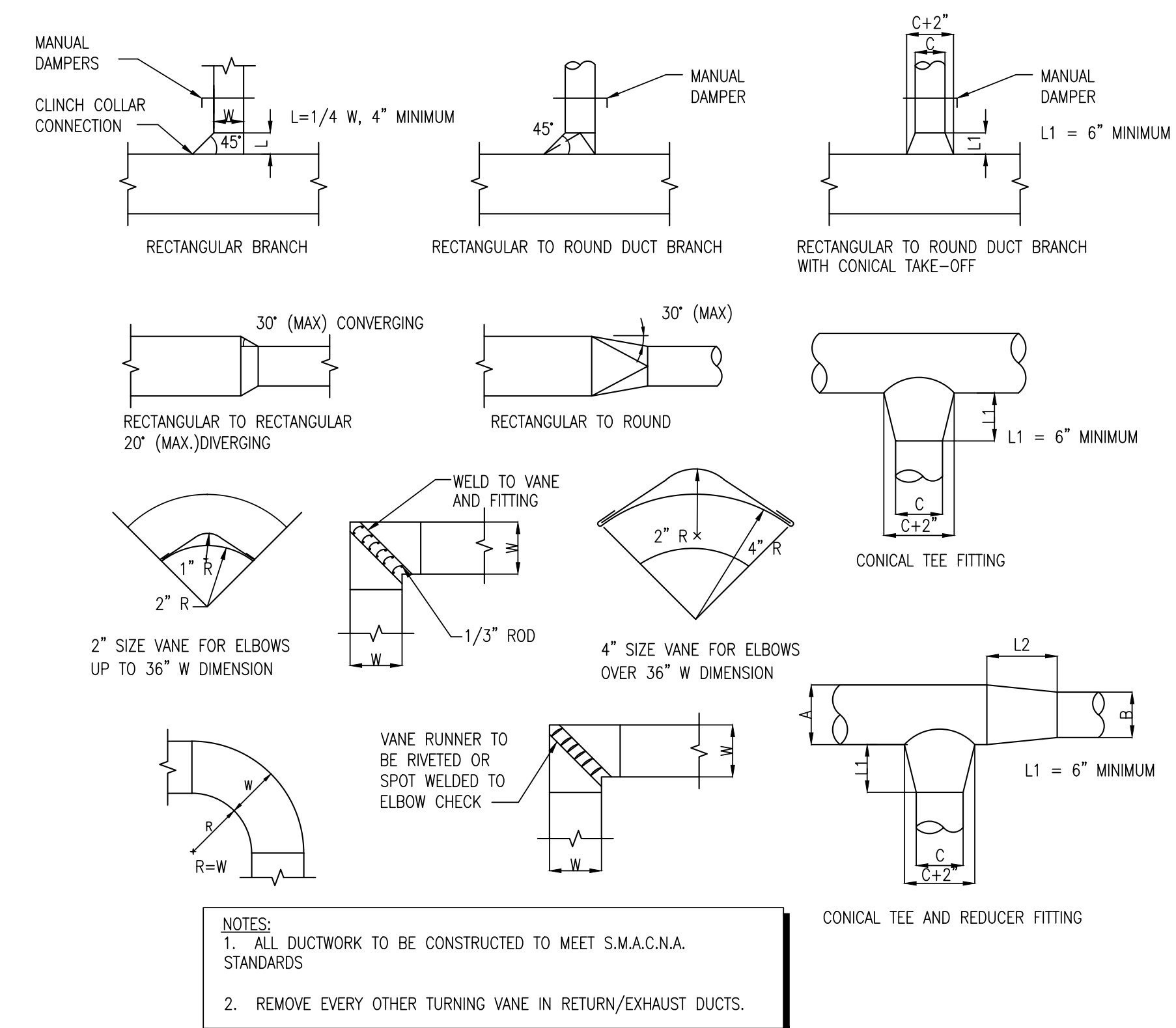
4 SMOKE DETECTOR MOUNTING DETAIL
NOT TO SCALE



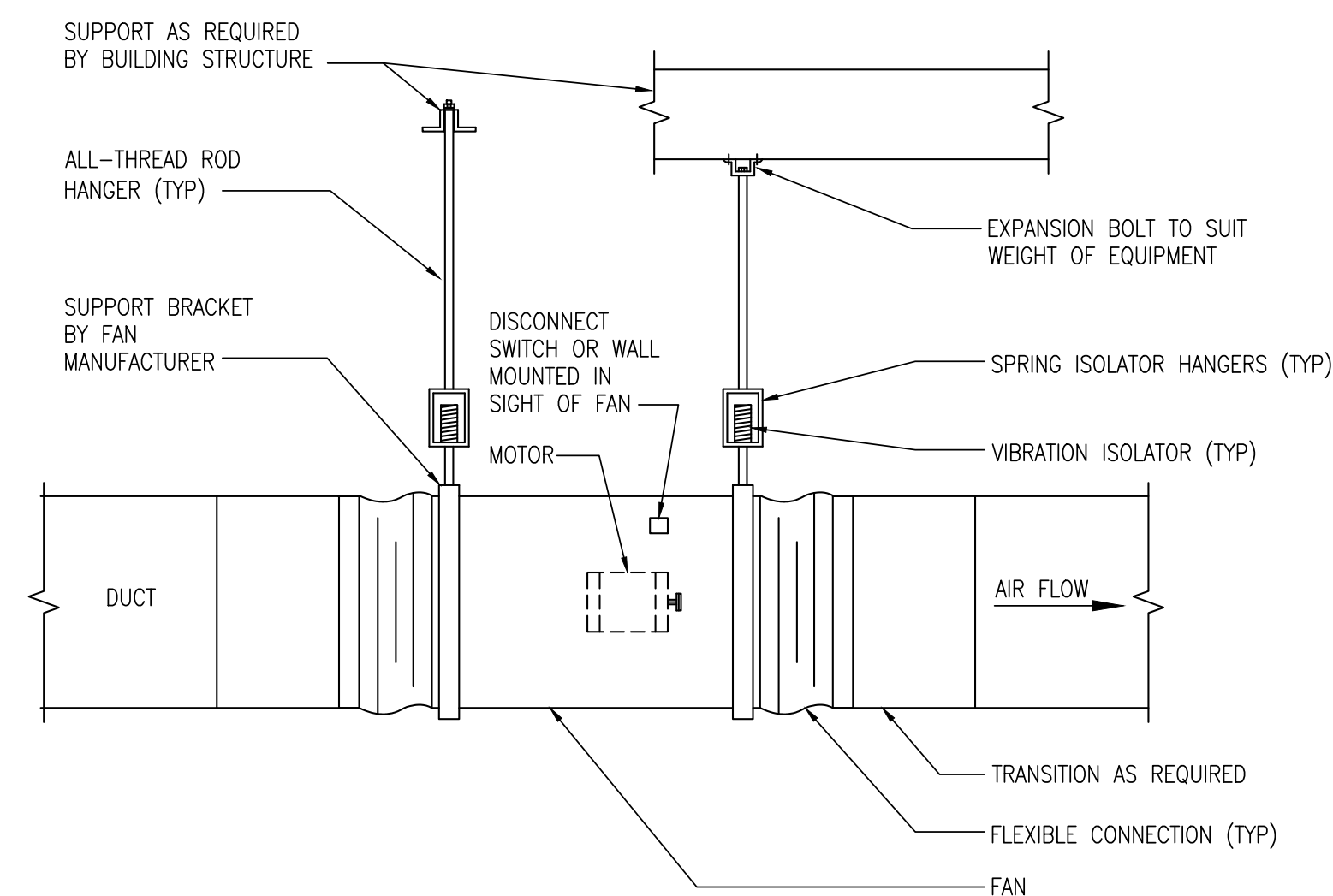
3 CEILING DIFFUSER DETAIL
NOT TO SCALE



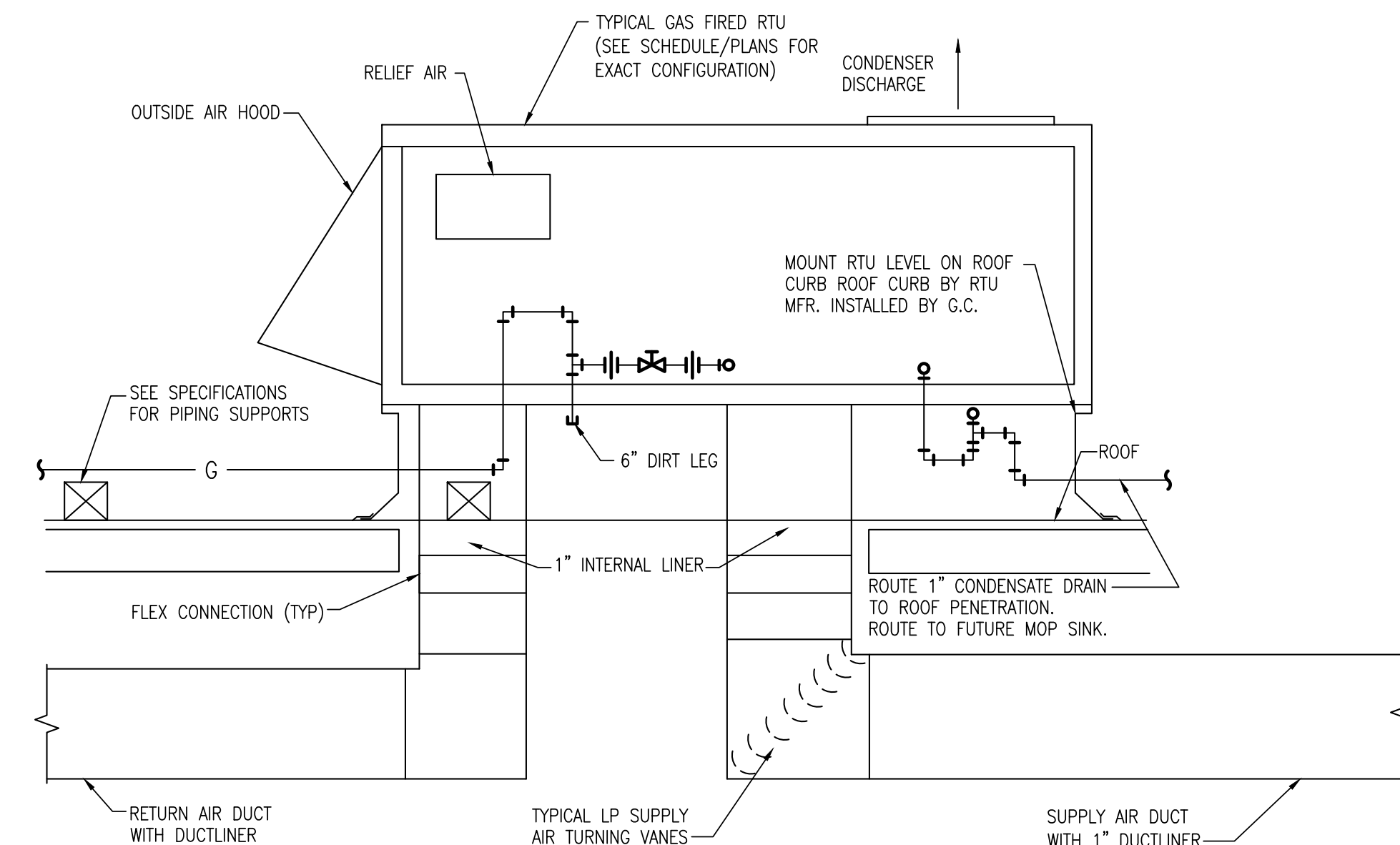
2 RETURN / EXHAUST AIR GRILLE PLENUM BOX
NOT TO SCALE



1 TYPICAL DUCTWORK DETAILS
NO SCALE



7 INLINE FAN DETAIL
NOT TO SCALE



6 TYPICAL ROOF TOP UNIT DETAIL
NOT TO SCALE

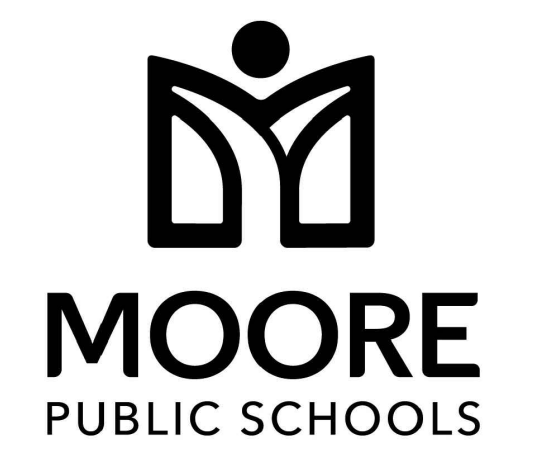


KF
drawn by

DG
checked by

AUGUST 2025
date

revisions

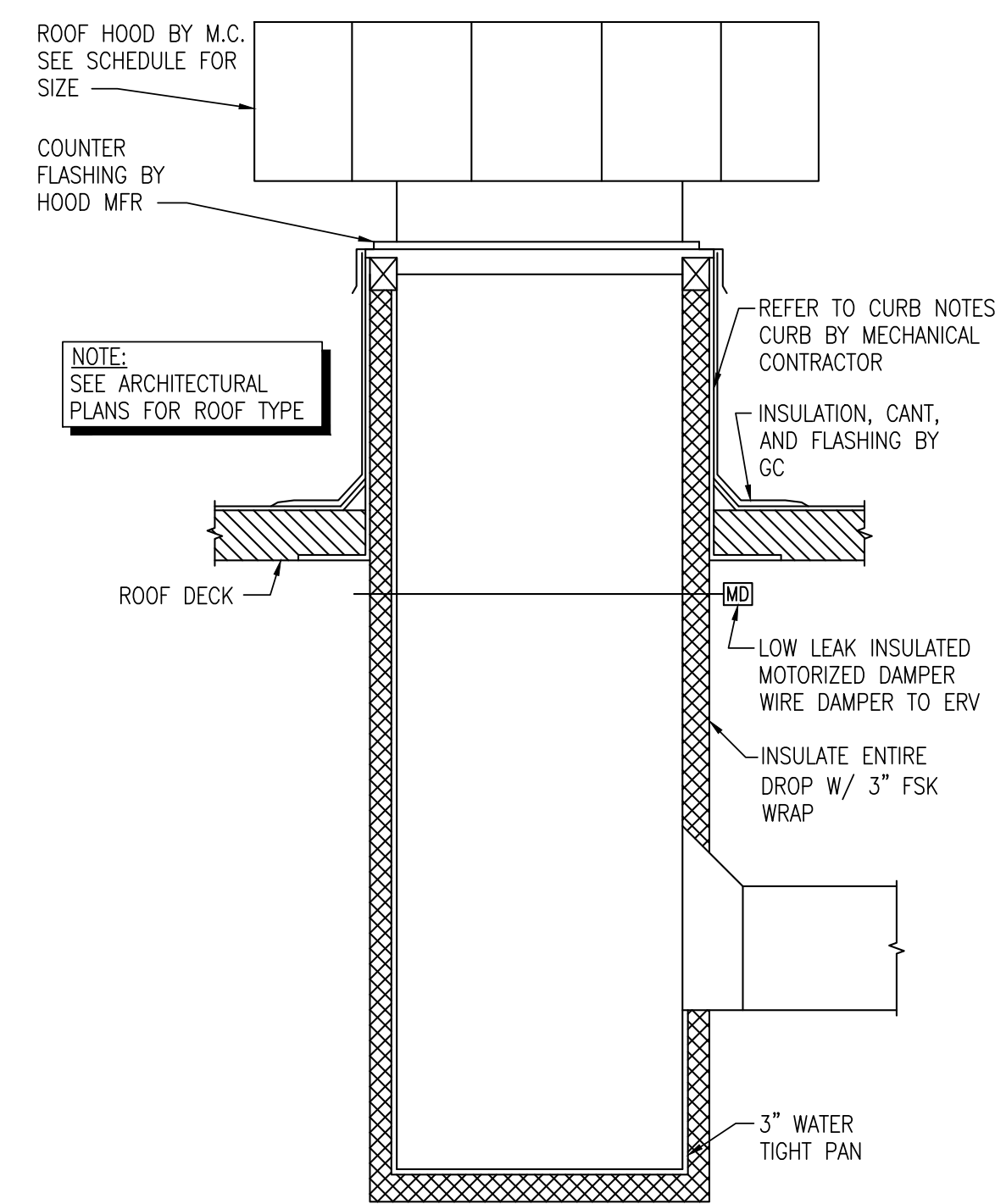


WESTMOORE HIGH
SCHOOL ENTRY
UPGRADES

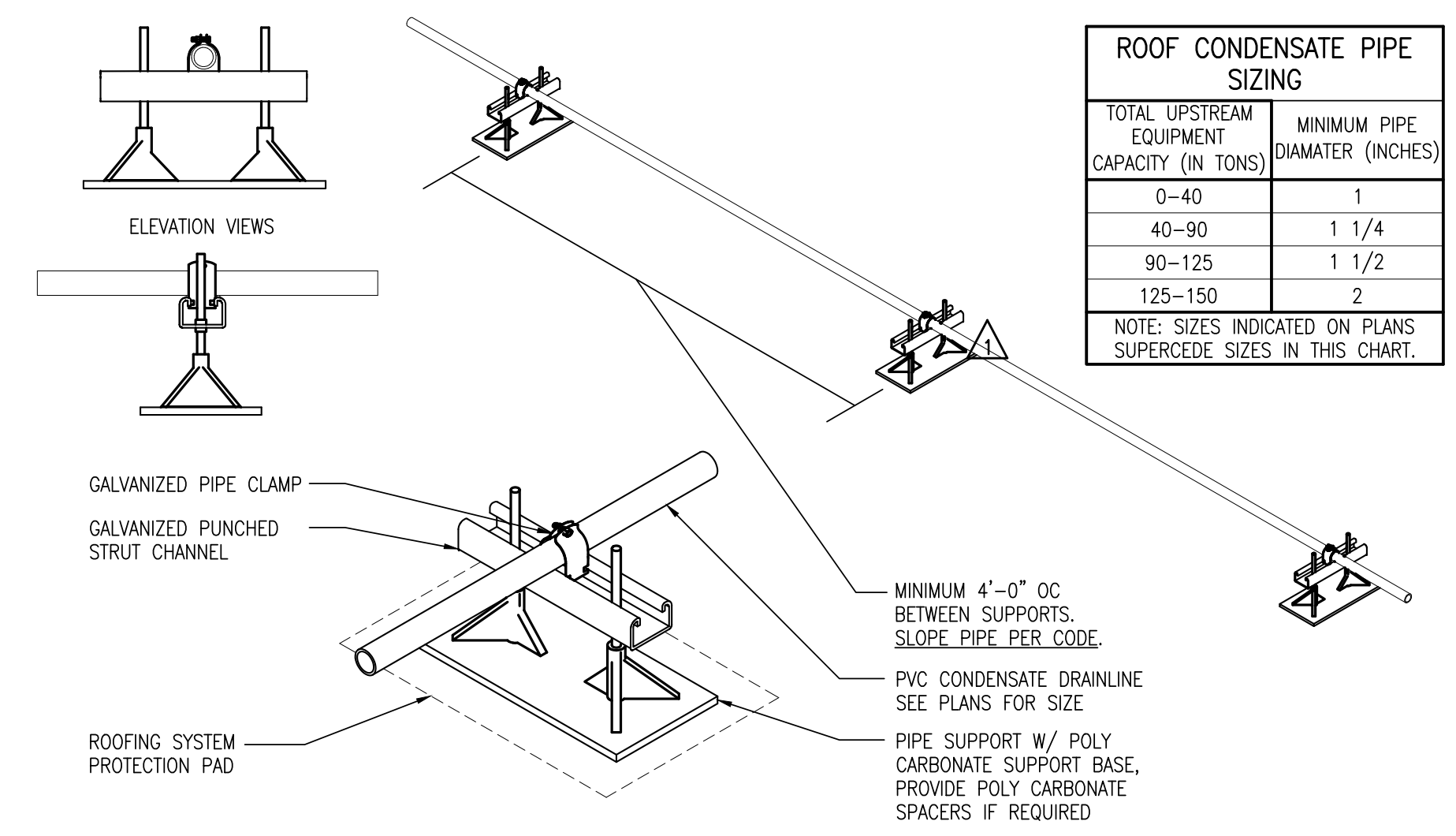
sheet no:

M502

OWNERSHIP USE OF DOCUMENTS:
AGP EXPRESSLY RESERVES ITS
COPYRIGHT AND OTHER PROPERTY
RIGHTS OF ALL PLANS AND DRAWINGS
DESIGNED AND/OR PRODUCED. PLANS
AND DRAWINGS ARE NOT TO BE
REPRODUCED IN ANY FORM OR MANNER
WITHOUT THE EXPRESSED WRITTEN
CONSENT OF AGP.



2 ROOF HOOD DETAIL
NOT TO SCALE



1 ROOF CONDENSATE SUPPORT DETAIL
NOT TO SCALE

ROOF CONDENSATE PIPE SIZING	
TOTAL UPSTREAM EQUIPMENT CAPACITY (IN TONS)	MINIMUM PIPE DIAMETER (INCHES)
0-40	1
40-90	1 1/4
90-125	1 1/2
125-150	2

NOTE: SIZES INDICATED ON PLANS SUPERCEDE SIZES IN THIS CHART.

Salas O'Brien, Inc. - Oklahoma City
2900 S. Telephone Road, Suite 120
Moore, OK 73160
CA# 9820 Expiration Date : 6/30/2027
Salas O'Brien Project Number: 2550-01165-00

ROOF HOOD SCHEDULE							
BH #	THROAT SIZE DIMENSION (IN)	THROAT AREA (FT ²)	DAMPER BDD OR MOD	CONSTRUCTION	MANUFACTURER & MODEL NO.	COMMENTS	NOTES
1	12X12	1.0	MOD	ALUMINUM	GREENHECK FGI	COLOR BY ARCHITECT	1-3
2	12X12	1.0	MOD	ALUMINUM	GREENHECK FGI	COLOR BY ARCHITECT	1-3
3	12X12	1.0	MOD	ALUMINUM	GREENHECK FGI	COLOR BY ARCHITECT	1-3
4	12X12	1.0	MOD	ALUMINUM	GREENHECK FGI	COLOR BY ARCHITECT	1-3

NOTES: M.C. IS RESPONSIBLE FOR PROVIDING ANY AND ALL NECESSARY DIMENSIONAL, ELECTRICAL, MECHANICAL, AND STRUCTURAL ALTERATIONS NECESSITATED BY PROVIDING ALTERNATE EQUIPMENT.

- M.C. TO PROVIDE ROOF HOOD WITH ALUMINUM BIRDSCREEN.
- M.C. SHALL PROVIDE ROOF CURB. CURB INSTALLATION BY G.C.
- M.C. SHALL PROVIDE LOW VOLTAGE MOTORIZED DAMPER.

PACKAGED ROOFTOP GAS/ELECTRIC UNIT SCHEDULE																				
RTU #	LOCATION	INPUT MBH	OUTPUT MBH	HEATING STAGES	COOLING NOMINAL TONS	TOTAL CAPACITY MBH	SENS. CAPACITY MBH	AMBIENT TEMP DB/WB	SUMMER LAT DB/WB	MIN EER	COOLING STAGES	TOTAL CFM	MIN F.A. CFM	ELEC CHAR	MCA	MCCP	ESP (IN)	WEIGHT	MANUFACTURER & MODEL NUMBER	NOTES
1	ROOF-SEE PLANS	180	144	2	15	147	102	104 / 74	54 / 53	12	VAR	3800	750	460 / 3	37	40	1.0	2550	LENNOX LGM180U5M	1-15
2	ROOF-SEE PLANS	180	144	2	15	147	102	104 / 74	54 / 53	12	VAR	3800	750	460 / 3	37	40	1.0	2550	LENNOX LGM180U5M	1-15
3	ROOF-SEE PLANS	65	52	2	4	42	34	104 / 74	55 / 53	13	2	1200	200	460 / 3	14	15	1.0	1000	LENNOX LGM048U5E	4-15
4	ROOF-SEE PLANS	180	144	2	8.5	75	57	104 / 74	58 / 55	13	2	3000	250	460 / 3	22	25	1.0	1450	LENNOX LGM102U5E	4-15
5	ROOF-SEE PLANS	65	52	2	4	42	34	104 / 74	55 / 53	13	2	1200	250	460 / 3	14	15	1.0	1000	LENNOX LGM048U5E	4-15
6	ROOF-SEE PLANS	65	52	2	4	42	34	104 / 74	55 / 53	13	2	1200	250	460 / 3	14	15	1.0	1000	LENNOX LGM048U5E	4-15
7	ROOF-SEE PLANS	65	52	2	4	42	34	104 / 74	55 / 53	13	2	1200	250	460 / 3	14	15	1.0	1000	LENNOX LGM048U5E	4-15

NOTES: M.C. IS RESPONSIBLE FOR PROVIDING ANY AND ALL NECESSARY DIMENSIONAL, ELECTRICAL, MECHANICAL, AND STRUCTURAL ALTERATIONS NECESSARY BY PROVIDING ALTERNATE EQUIPMENT.

- PROVIDE FACTORY-INSTALLED RETURN DUCT SMOKE DETECTOR WITH REMOTE TEST STATION TO BE LOCATED IN OCCUPIED SPACE. INSTALLATION OF REMOTE TEST STATION AND CONNECTION TO FIRE ALARM SYSTEM BY E.C.
- PROVIDE VARIABLE SPEED COMPRESSOR.
- SZIVAV FAN SHALL HAVE FACTORY MOUNTED VFD.
- PROVIDE CONDENSER COIL HAIL GUARD.
- PROVIDE FACTORY-INSTALLED NON-FUSED UNIT DISCONNECT SWITCH.
- 120V GFCI CONVENIENCE OUTLET TO BE SUPPLIED BY E.C. RECEPTACLE SHALL BE COMPLIANT WITH NEC 210.63. COORDINATE WITH E.C.
- PROVIDE ANTI-SHORT CYCLE TIMER AND LOW AMBIENT CONTROLS.
- PROVIDE FACTORY ROOF CURB SO THAT THE BOTTOM OF THE ROOFTOP UNIT IS A MINIMUM OF 14" ABOVE FINISHED ROOF. MOUNT LEVEL ON SLOPED ROOF.
- PROVIDE HINGED AND TOOL-LESS ACCESS DOORS.
- PROVIDE PHASE MONITOR.
- PROVIDE FULL ENTHALPY ECONOMIZER WITH POWERED EXHAUST.
- PROVIDE DIGITAL, WI-FI ACCESSIBLE 7-DAY PROGRAMMABLE THERMOSTAT WITH OCCUPIED/UNOCCUPIED SETTINGS CAPABLE OF CONTROLLING THE H/C STAGES OF SPECIFIED UNIT.
- PROVIDE UNIT WITH MODULATING HGRH AND WALL-MOUNTED HUMIDITY SENSOR.
- MODULATE OUTSIDE AIR BASED ON DEMAND REPORTED BY CO2 SENSOR.
- PROVIDE 2" MERV-8 FILTERS.

GRILLE, REGISTER, AND DIFFUSER SCHEDULE					
PLAN SYMBOL	DESCRIPTION	MANUFACTURER & MODEL NO.	MATERIAL	FINISH	NOISE CRITERIA
CDR-1	SQUARE FACE, ROUND NECK, 4-WAY DEFLECTION CEILING DIFFUSER, SPRING LOCK INNER CORE, FOR LAY-IN CEILING INSTALLATION.	PRICE SCD (4C)	STEEL	WHITE	-
SG-1	DOUBLE DEFLECTION SIDEWALL GRILLE, ADJUSTABLE DEFLECTION BLADES, 3/4" O.C. FLAT FRAME WITH 1 1/4" MARGIN, HORIZONTAL FRONT	PRICE 520	STEEL	COLOR BY ARCHITECT	-
SG-2	LINEAR BAR GRILLE, 0 DEGREE DEFLECTION, 1/2" BLADE SPACING, FOR SIDEWALL INSTALLATION, PROVIDE WITH MANUFACTURER DAMPER	PRICE LBP 15B	STEEL	COLOR BY ARCHITECT	-
RG-1	SQUARE PATTERN GRILLE, FIXED CORE OF 1/2"X1/2"X1/2" FABRICATED ALUMINUM SQUARES, FLAT FRAME WITH 1 1/4" MARGIN, FOR LAY-IN CEILING INSTALLATION.	PRICE 80	ALUMINUM	WHITE	-
RG-2	SINGLE FIXED DEFLECTION SIDEWALL GRILLE, 3/4" O.C. FLAT FRAME WITH 1 1/4" MARGIN, HORIZONTAL FRONT	PRICE 530	STEEL	COLOR BY ARCHITECT	-
EG-1	SINGLE FIXED DEFLECTION SIDEWALL GRILLE, 3/4" O.C. FLAT FRAME WITH 1 1/4" MARGIN, HORIZONTAL FRONT	PRICE 530	ALUMINUM	WHITE	-

NOTES:
SEE PLANS FOR QUANTITY AND SIZES.
M.C. TO FIELD VERIFY CEILING TYPE FOR ALL GRD BEFORE PURCHASING EQUIPMENT. PROVIDE REQUIRED MOUNTING.

SYSTEM	DUCTWORK/INSULATION SCHEDULE						INTERNAL THICKNESS	EXTERNAL THICKNESS	NOTES	
	LOW PRESSURE			MED. PRESS.		HIGH PRESS.				
	MAX. PRES.	SEAL A	SEAL B	MAX. PRES.	SEAL A	MAX. PRES.				SEAL A
SUPPLY AIR WITHIN 10' OF UNIT	2"	X	-	-	-	-	YES	1"	NO	-
SUPPLY AIR BEYOND 10' OF UNIT	2"	X	-	-	-	-	NO	-	YES	2" FSK
RETURN AIR WITHIN 10' OF UNIT	2"	-	X	-	-	-	YES	1"	NO	-
RETURN AIR BEYOND 10' OF UNIT	2"	-	X	-	-	-	NO	-	YES	2" FSK
OUTSIDE AIR/MIXED AIR	2"	-	X	-	-	-	NO	-	YES	3" FSK
EXHAUST AIR	2"	-	X	-	-	-	NO	-	YES	2" FSK

NOTES:

FAN SCHEDULE													
	CFM	SP	FAN RPM	ELECTRICAL			DAMPER BDD OR MOD	DRIVE	FAN TYPE	INTERLOCK/CONTROL	WEIGHT	MANUFACTURER & MODEL NUMBER	NOTES
				VOLTAGE & PHASE	H.P.	FLA/AMPS							
EF-1	150	0.2	1050	120 / 1	0.17	1.8	MOD	DIRECT	CLG	SWITCH	15	GREENHECK SP-B150	1-4
EF-2	150	0.2	1050	120 / 1	0.17	1.8	MOD	DIRECT	CLG	SWITCH	15	GREENHECK SP-B150	1-4
EF-3	75	0.2	900	120 / 1	0.17	1.8	MOD	DIRECT	CLG	SWITCH	15	GREENHECK SP-B80	1-4
EF-4	200	0.25	1225	120 / 1	0.1	1.4	MOD	DIRECT	INLINE	THERMOSTAT	56	GREENHECK SQ-80-VG	1,2,4

NOTES: M.C. IS RESPONSIBLE FOR PROVIDING ANY AND ALL NECESSARY DIMENSIONAL, ELECTRICAL, MECHANICAL, AND STRUCTURAL ALTERATIONS NECESSITATED BY PROVIDING ALTERNATE EQUIPMENT.

- PROVIDE ELECTRONIC SPEED CONTROL MOUNTED ABOVE ACCESSIBLE CEILING.
- M.C. SHALL PROVIDE AND INSTALL LOW VOLTAGE MOTORIZED DAMPER.
- OPERATION OF DEVICE ON OCCUPIED MODE OF RTU OR SWITCH WITH LIGHTS. SEE INTERLOCK/CONTROL COLUMN FOR TYPE.
- PROVIDE UNIT MOUNTED DISCONNECT.

ELECTRIC FAN FORCED HEATER SCHEDULE												
EFH #	ROOM NO.	CFM	WALL OR CEILING	KW	MOUNTING	ELECTRICAL CHAR	AMPS	SPEEDS	CONTROL	RPM	MANUFACTURER & MODEL NUMBER	NOTES
1	25	100	WALL	3	RECESS	208 / 1	14.5	2	INT.	-	BERKO FRA-4024F	1-3

NOTES: M.C. IS RESPONSIBLE FOR PROVIDING ANY AND ALL NECESSARY DIMENSIONAL, ELECTRICAL, MECHANICAL, AND STRUCTURAL ALTERATIONS NECESSITATED BY PROVIDING ALTERNATE EQUIPMENT.

- PROVIDE INTERNAL THERMOSTAT.
- RECESSED MOUNTED UNIT. PROVIDE RECESSED MOUNTING KIT.
- PROVIDE BUILT-IN DISCONNECT.

