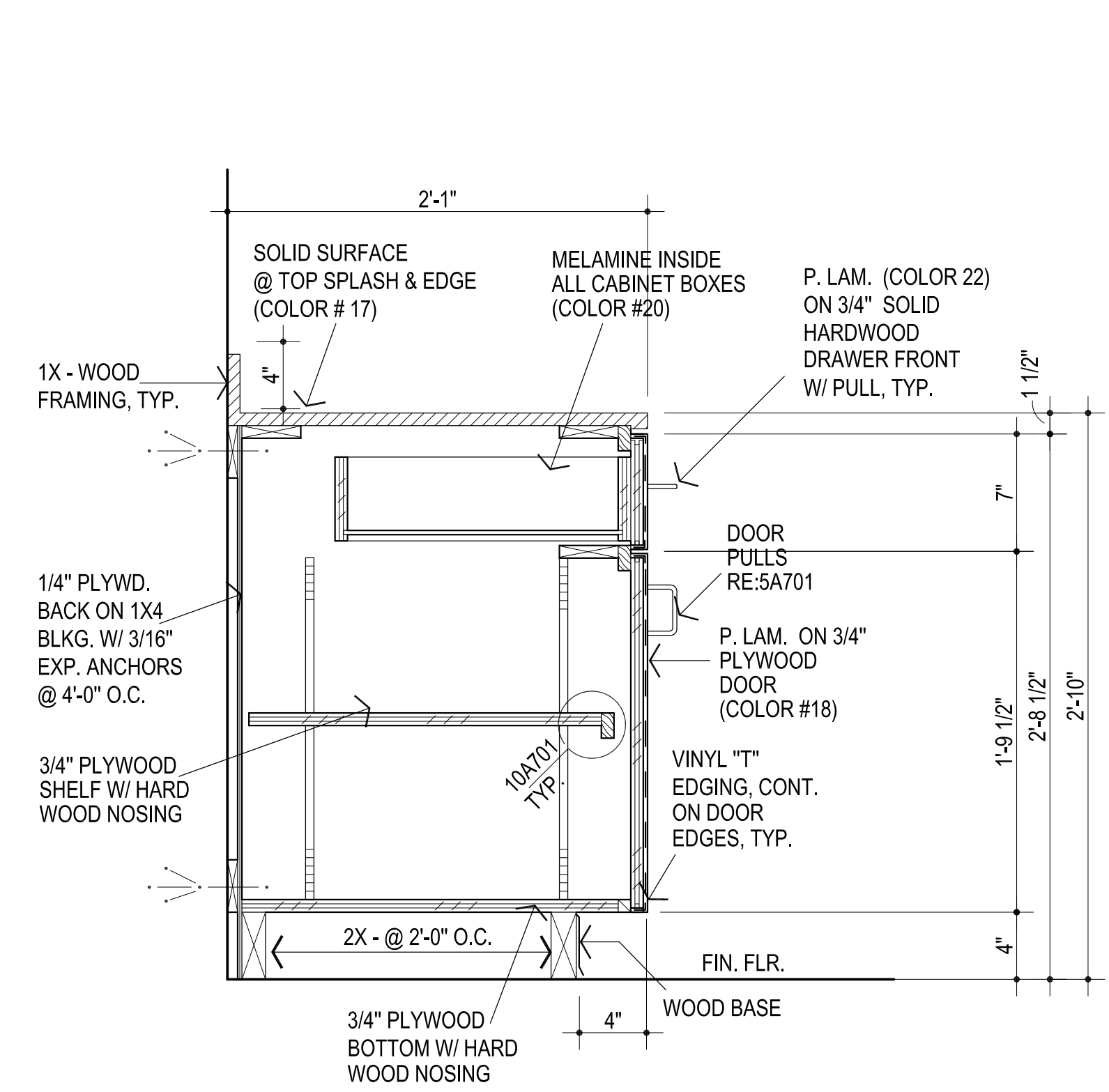
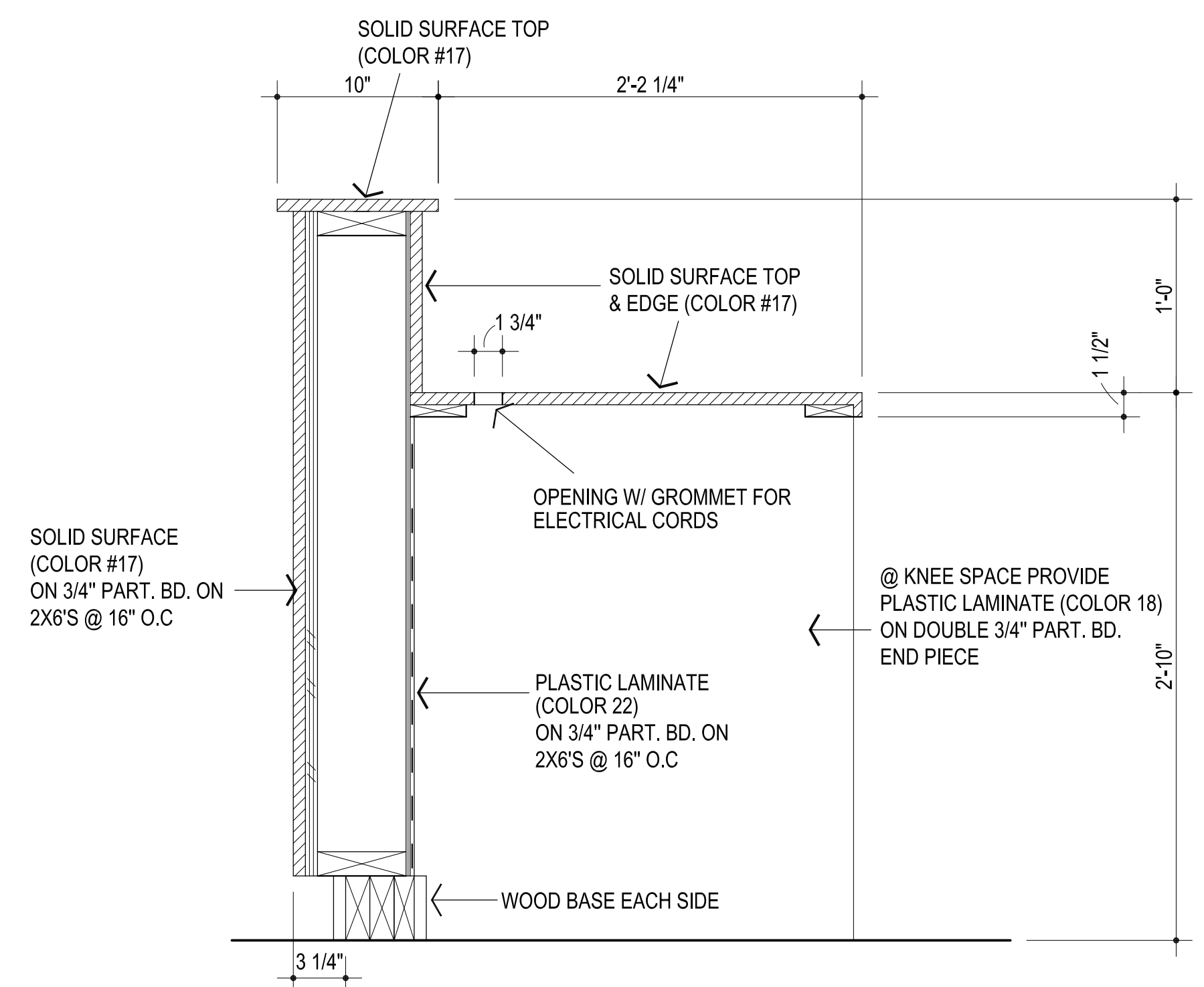




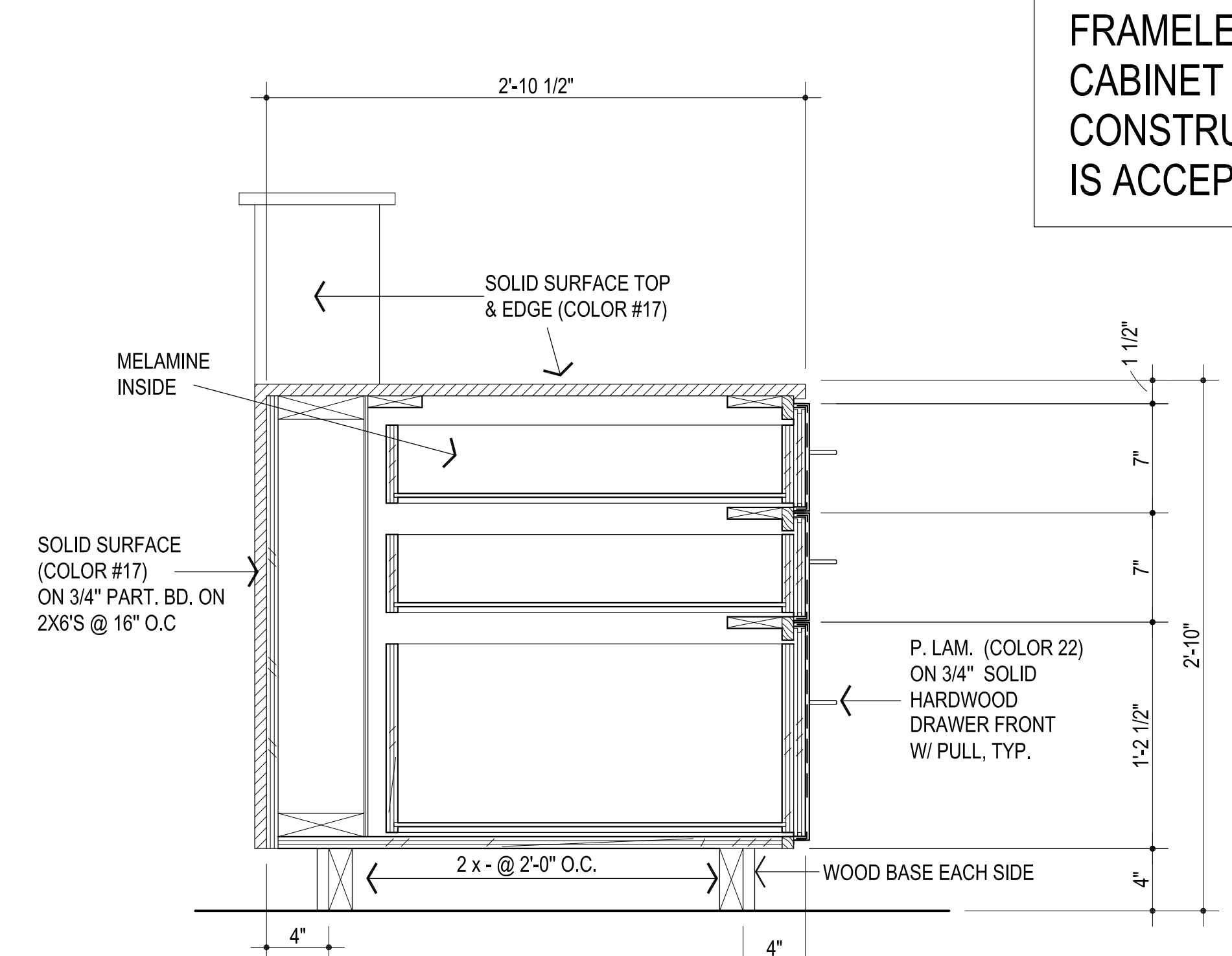
FRAMELESS
CABINET / EUROPEAN
CONSTRUCTION IS
IS ACCEPTABLE



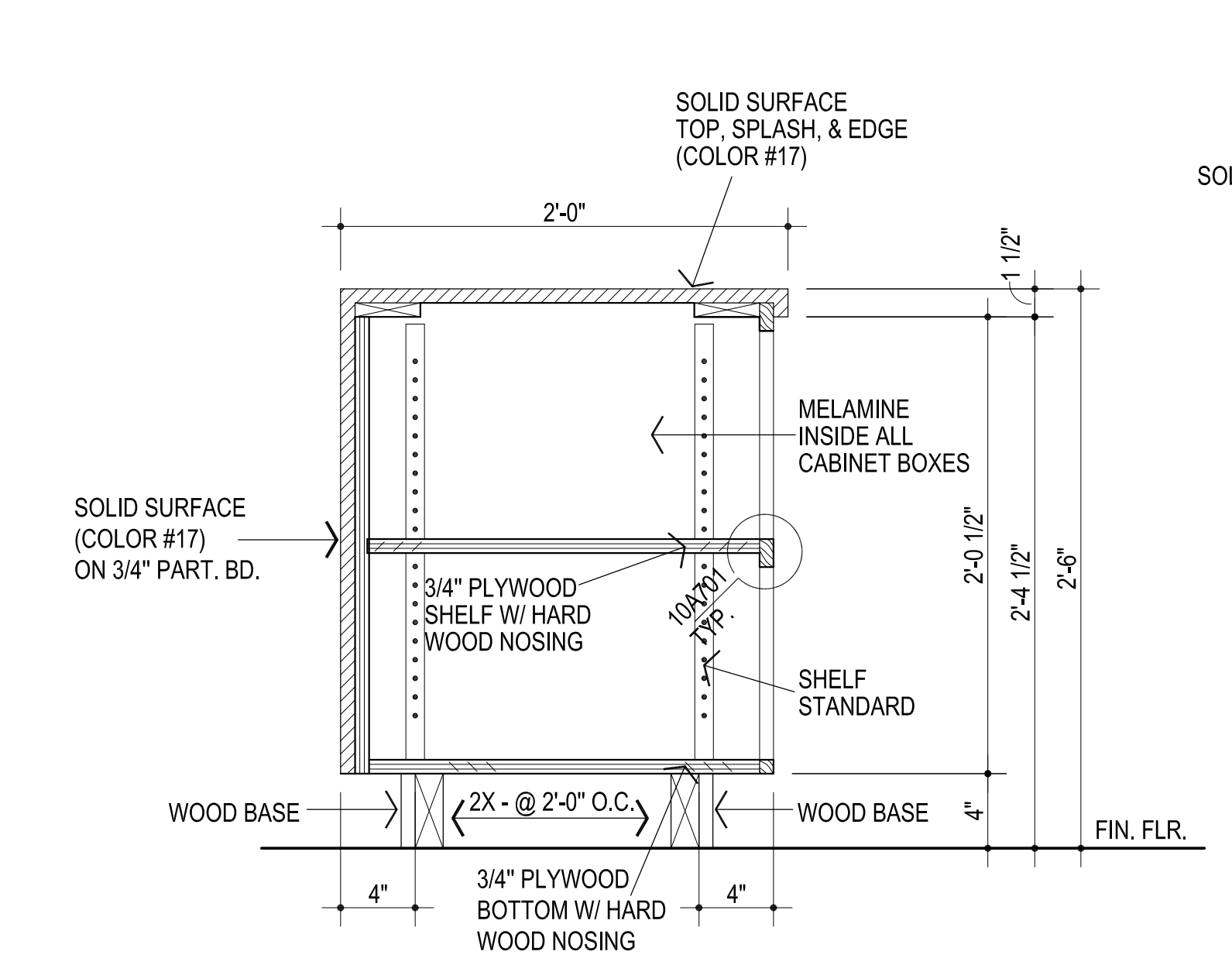
1 BASE CABINET
1 1/2" = 1'-0"



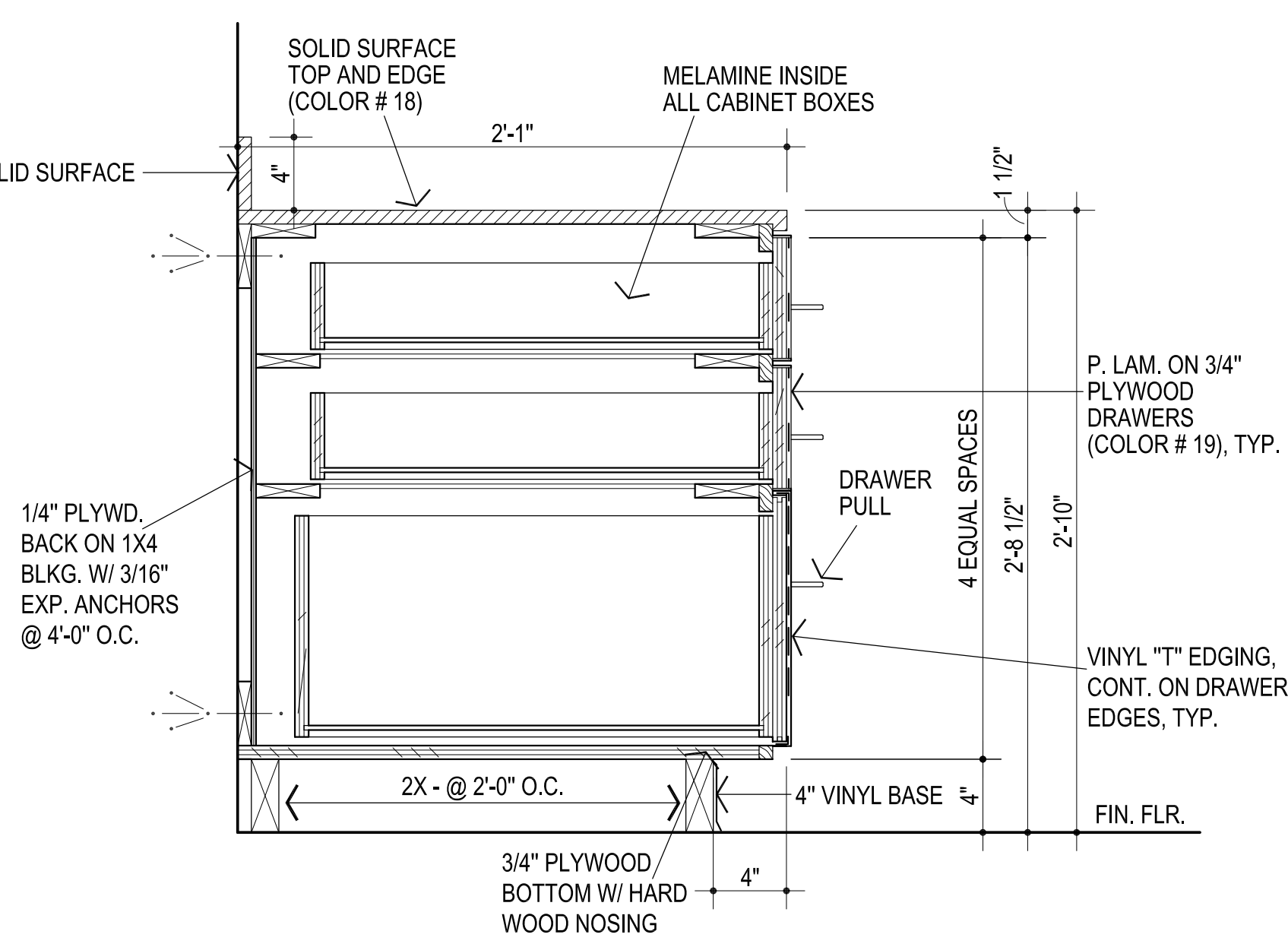
2 SECTION COUNTER
1 1/2" = 1'-0"



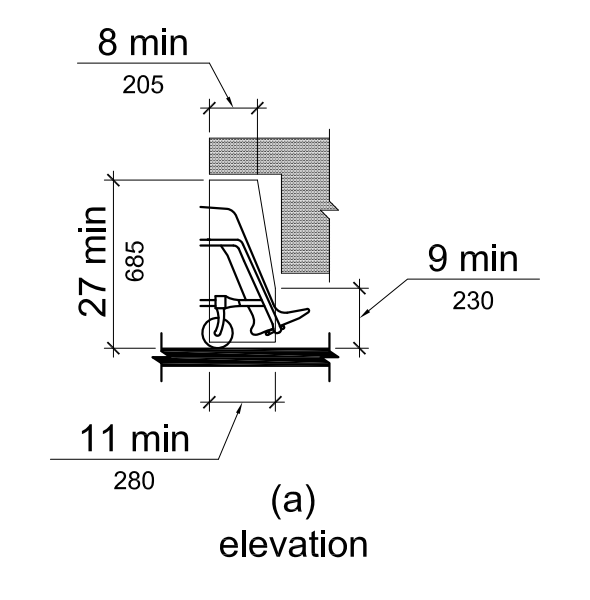
3 SECTION @ COUNTER
1 1/2" = 1'-0"



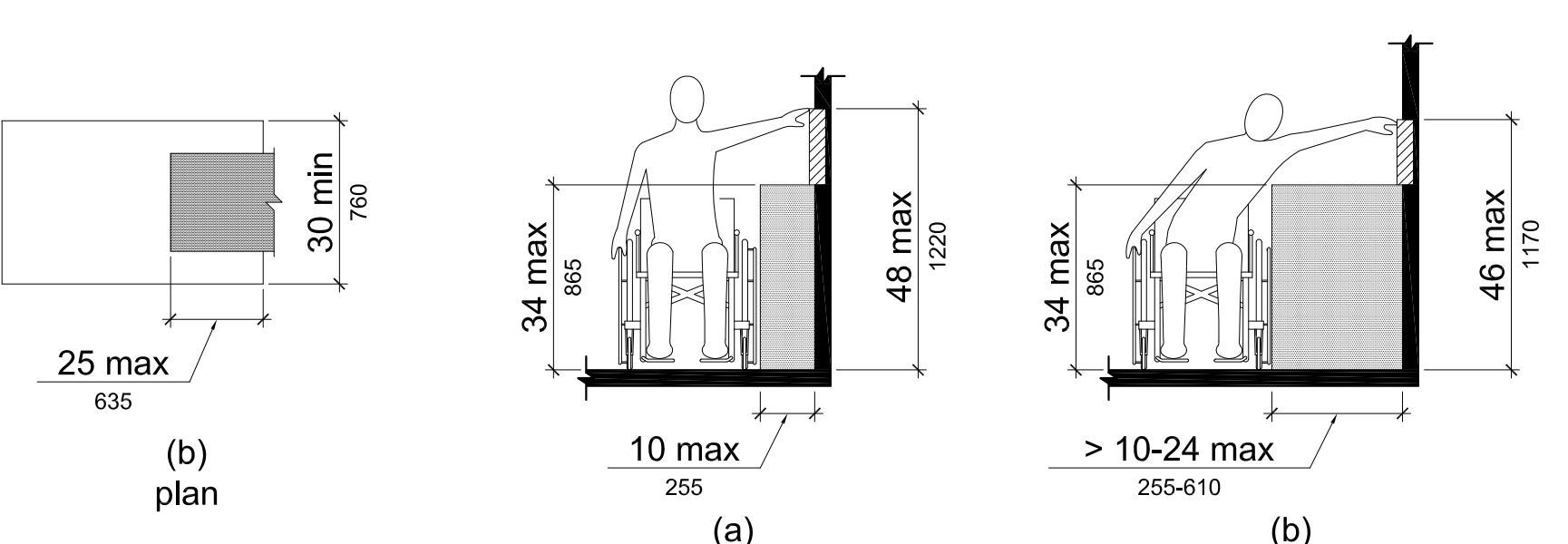
11 BASEL CABINET
1 1/2" = 1'-0"



12 BASEL CABINET
1 1/2" = 1'-0"

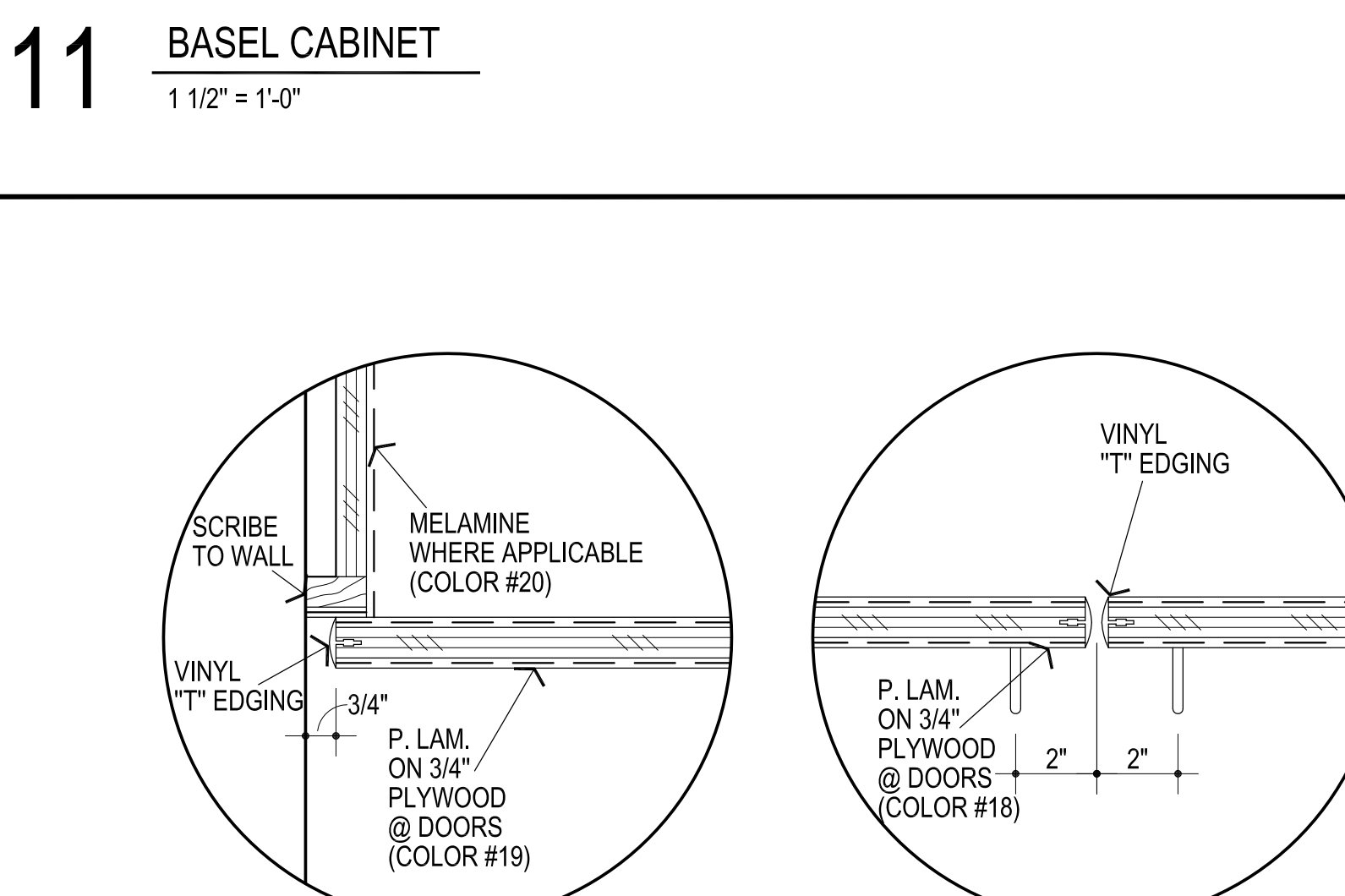


TOE & KNEE CLEARANCE
FIGURE 308.3

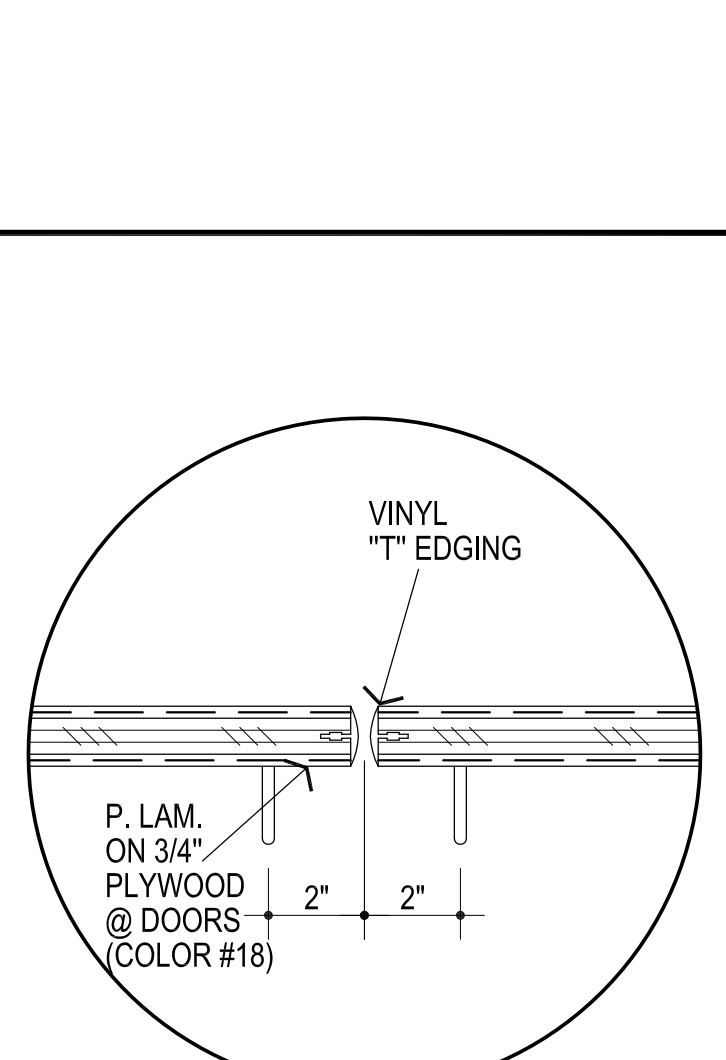


OBSTRUCTED HIGH SIDE REACH
FIGURE 308.3.2

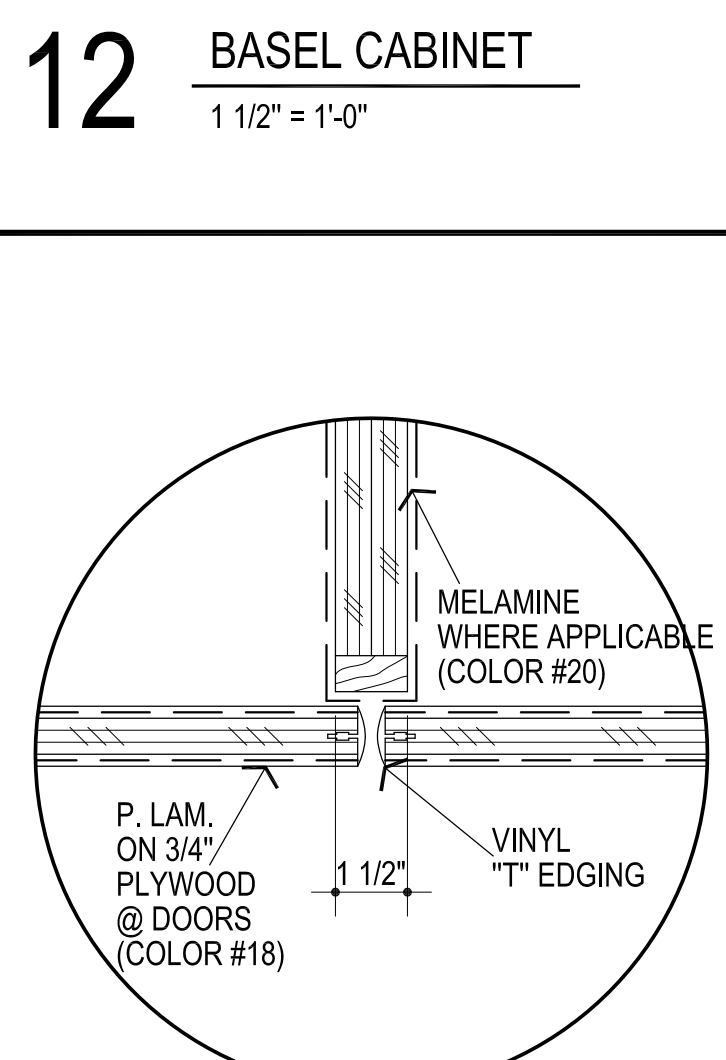
CG	drawn by
MA	checked by
AUGUST 2025	date
	revisions



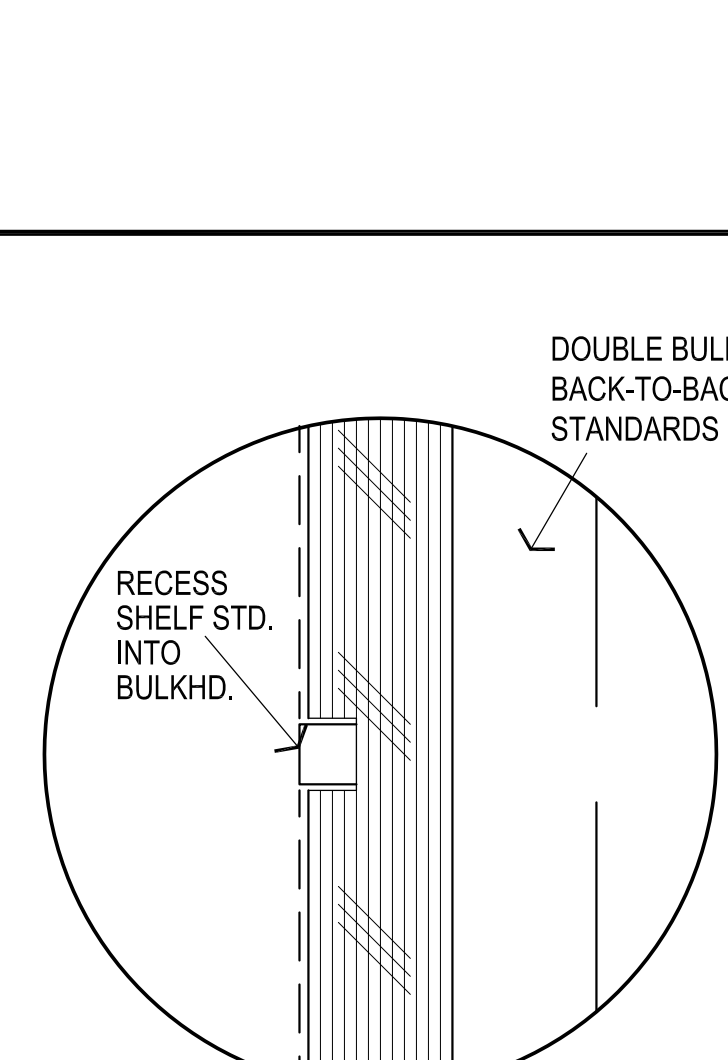
4 DOOR @ WALL



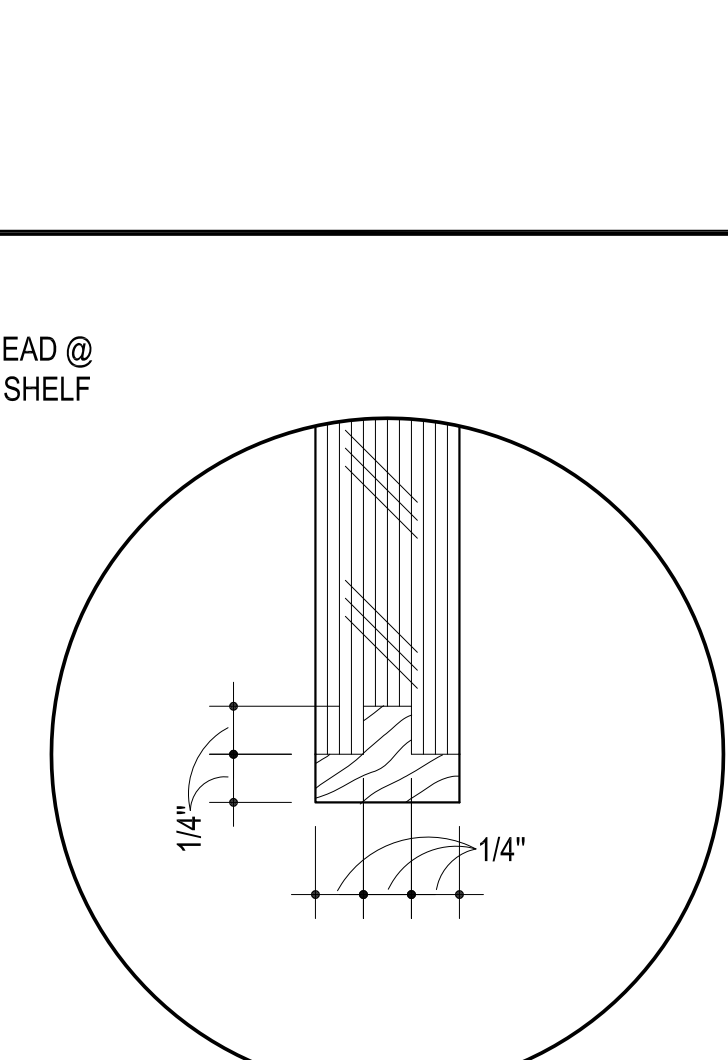
5 PULLS



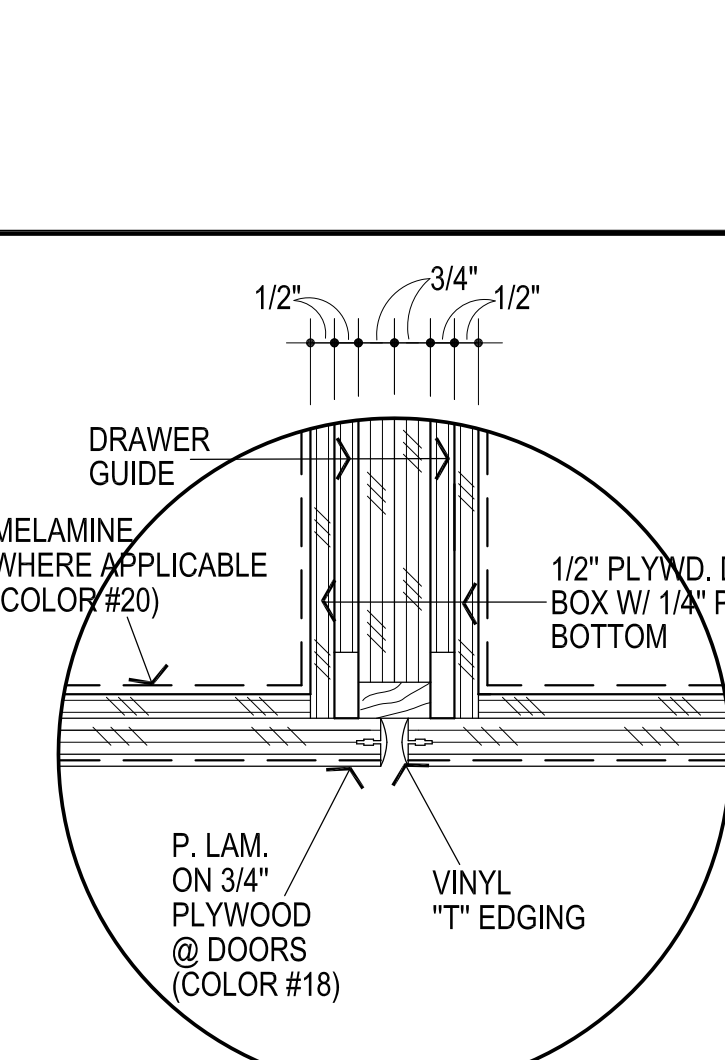
6 DOORS @ STILE



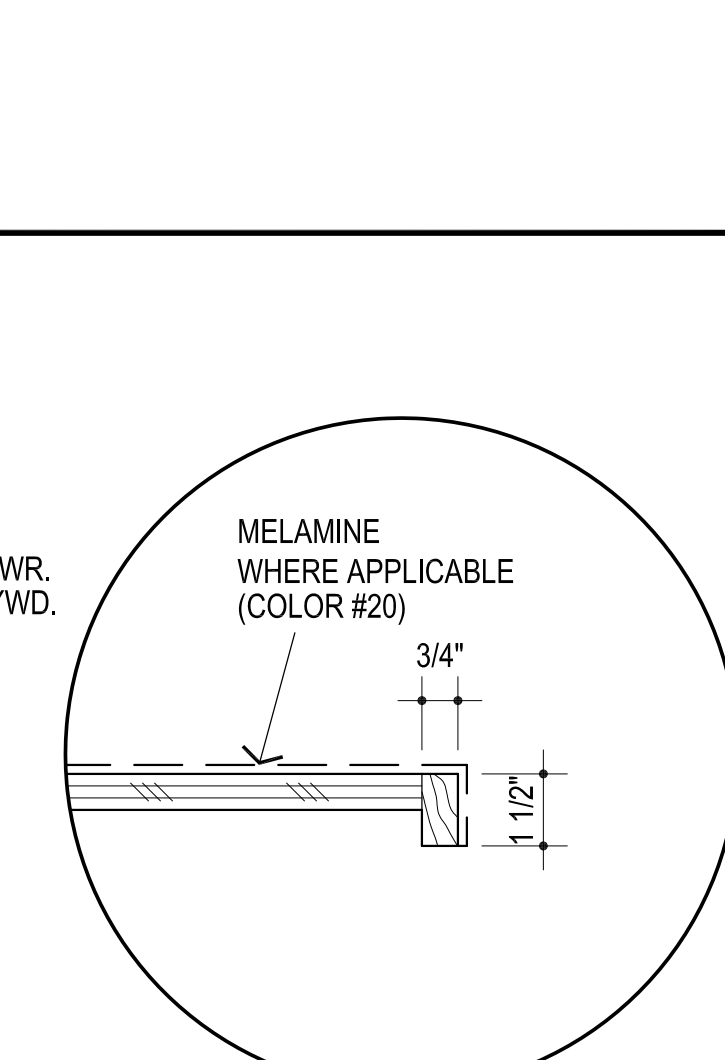
7 RECESSED STANDARDS



8 HARDWOOD EDGE



9 DRWR. TO DRWR.



10 SHELF EDGE