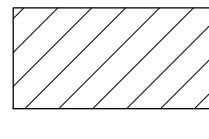
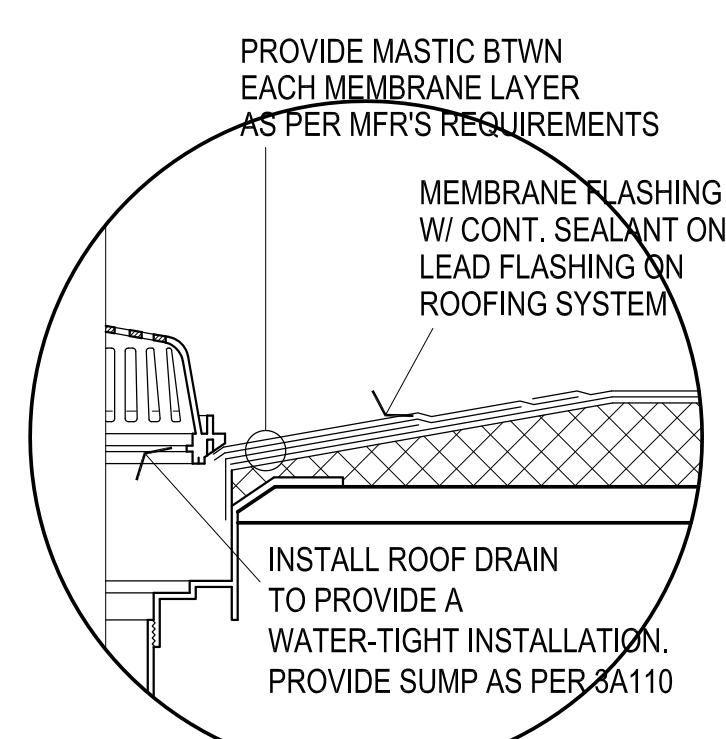
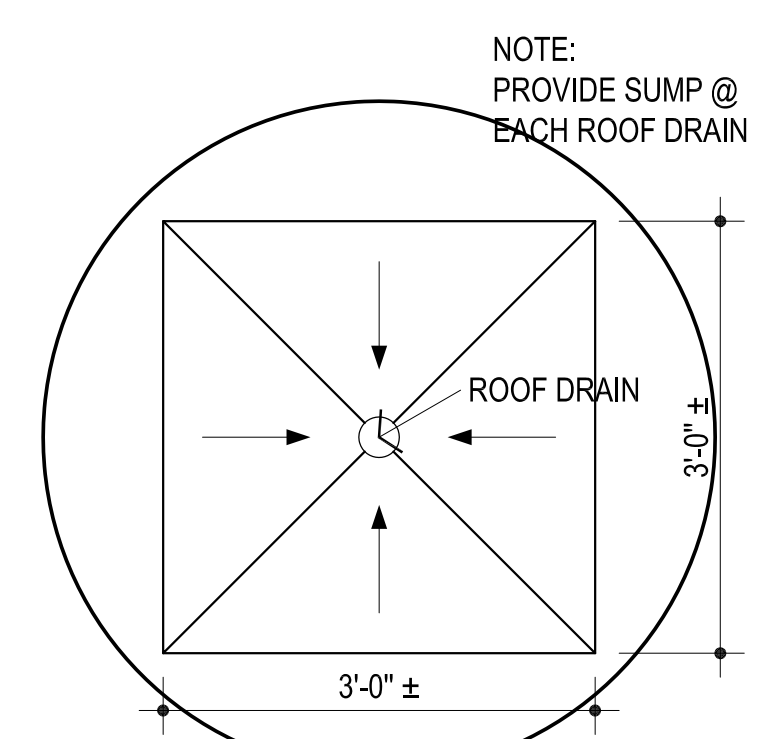


1 **CONCOURSE ROOF PLAN**
3/32" = 1'-0"
NORTH

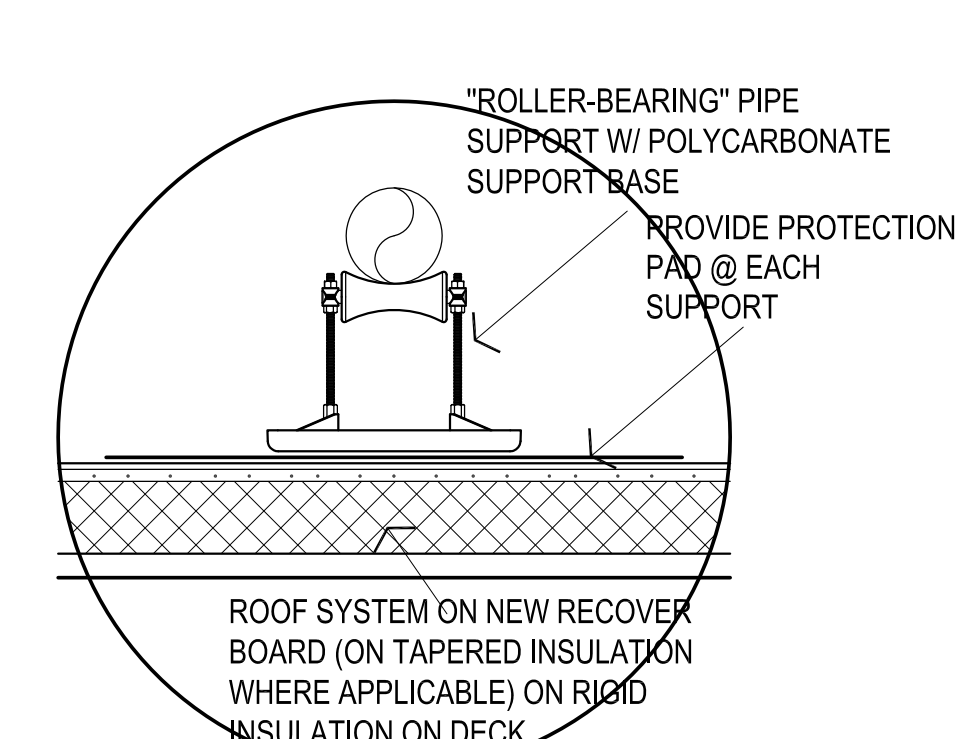
- NOTES:**
- RE: MECH & ELEC. FOR ADDITIONAL ROOF MOUNTED ITEMS. CONTRACTOR TO COORDINATE ALL ROOF MOUNTED ITEMS & PENETRATIONS W/ APPLICABLE TRADES
 - CONTRACTOR TO COORDINATE ROOF VENT PENETRATIONS W/ ARCHITECT.
 -  INDICATES NEW WALKWAY PAD LOCATIONS - CUT PADS INTO 5'-0" MAX LENGTHS & PLACE 2" APART TO COVER AREAS INDICATED.
 - PROVIDE @ ALL ROOF PENETRATIONS - PENETRATION DAM / SEALER POCKETS AS PER 6A106
 - DO NOT SCALE DRAWINGS TO OBTAIN MATERIAL QUANTITIES. USE DRAWINGS WHICH ARE DIMENSIONED OR COORDINATE W/ EXISTING CONDITIONS &/OR ARCHITECT & ENGINEERS.



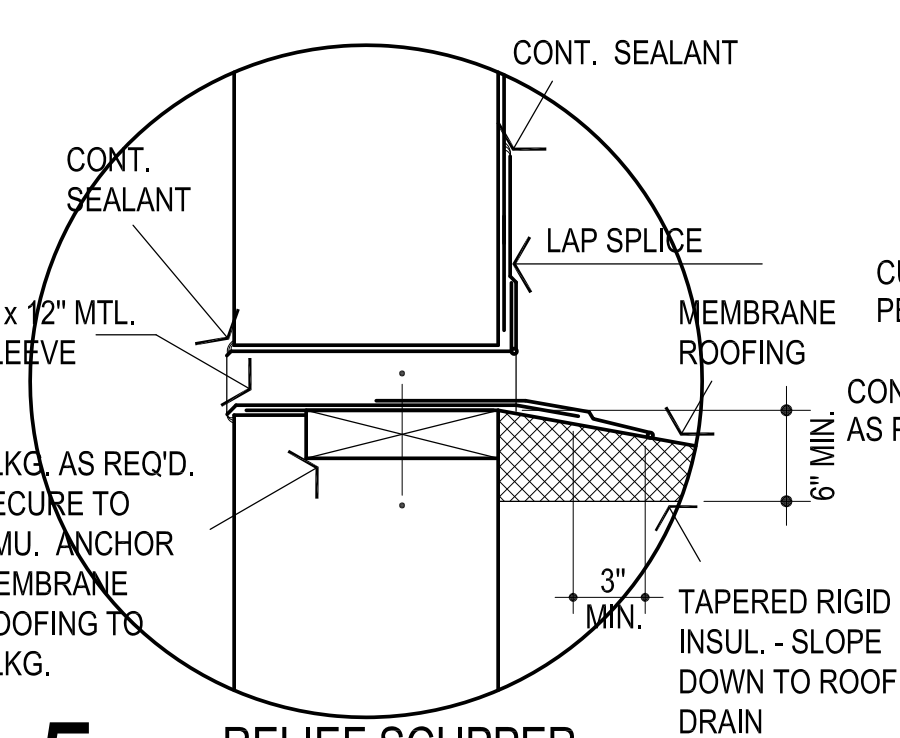
2 **ROOF DRAIN**
NO SCALE



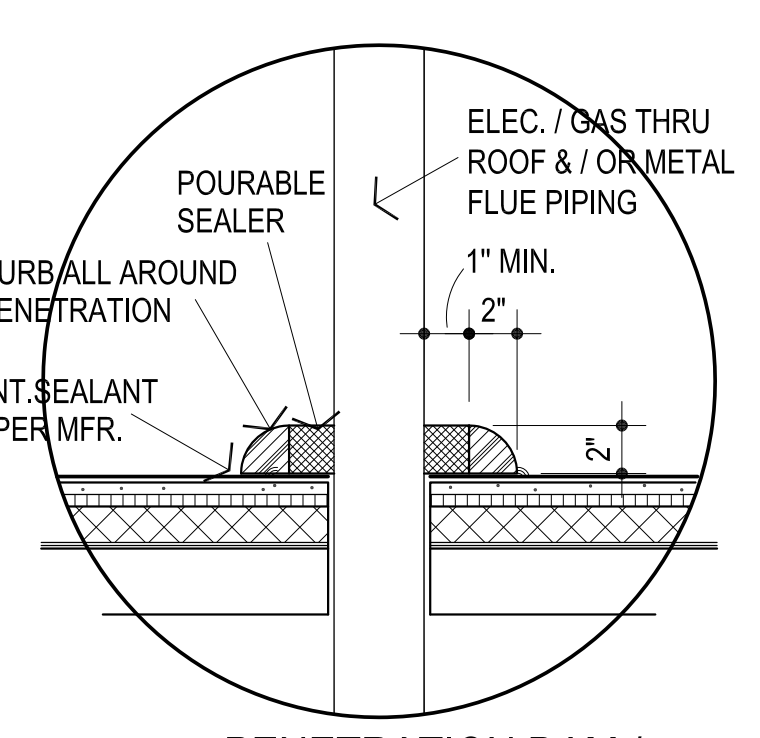
3 **ROOF DRAIN SUMP**
NO SCALE



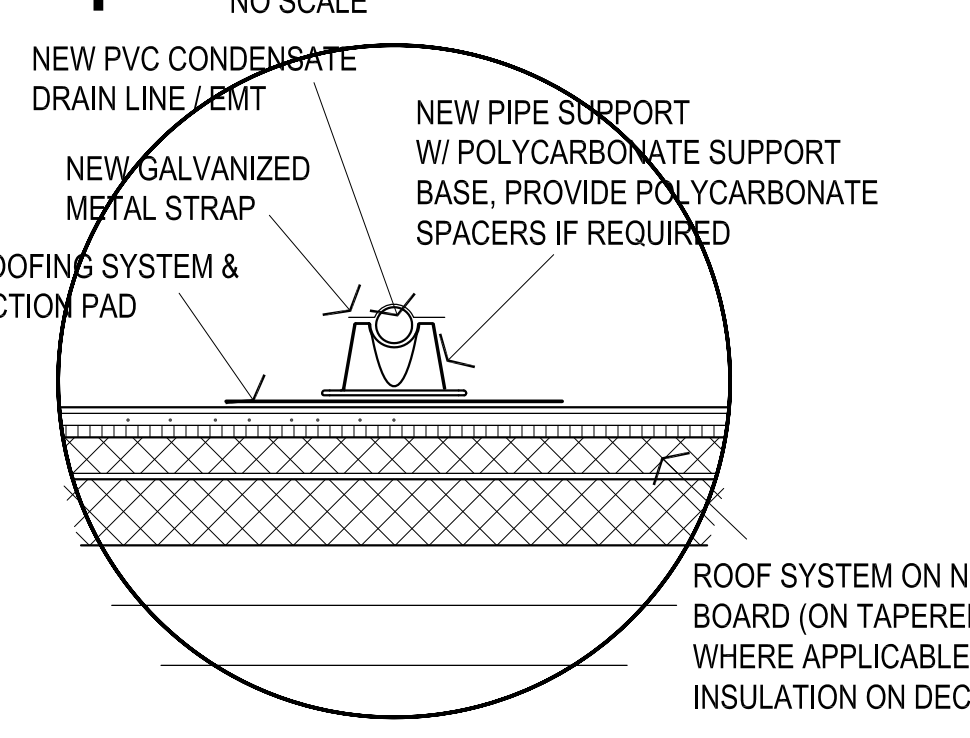
4 **ADJUSTABLE PIPE SUPPORTS - FRONT VIEW**
NO SCALE



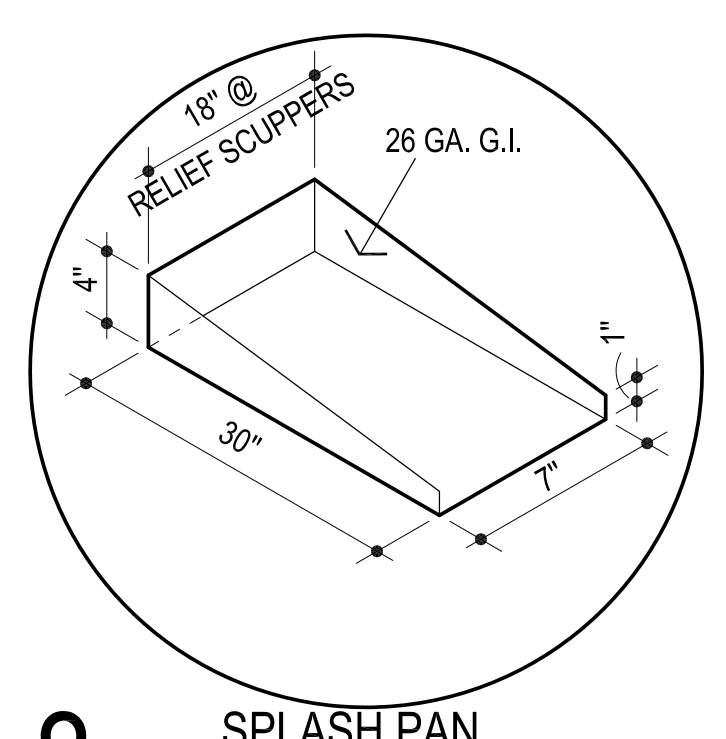
5 **RELIEF SCUPPER**
NOT TO SCALE



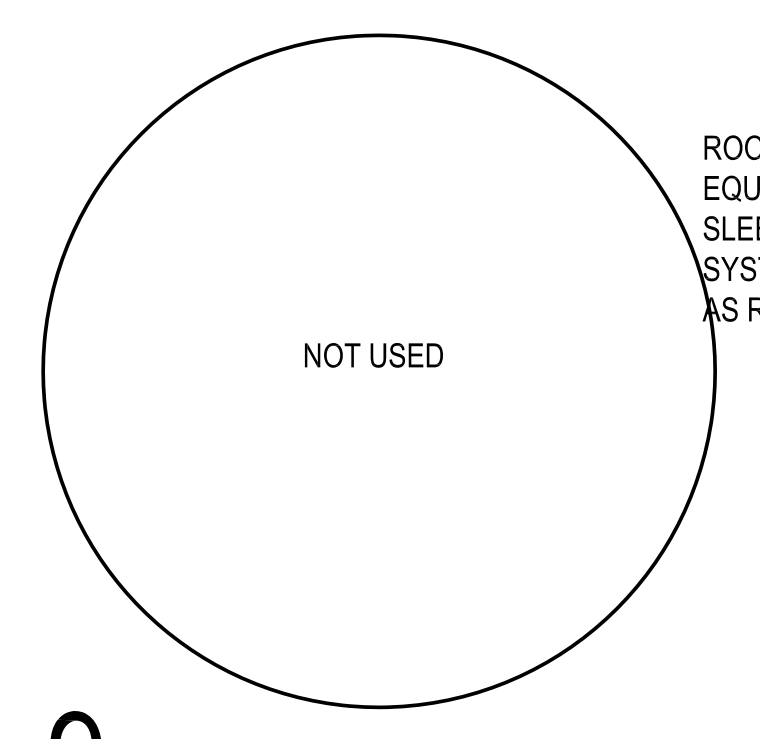
6 **PENETRATION DAM / SEALER POCKET @ MAJOR PENETRATIONS**



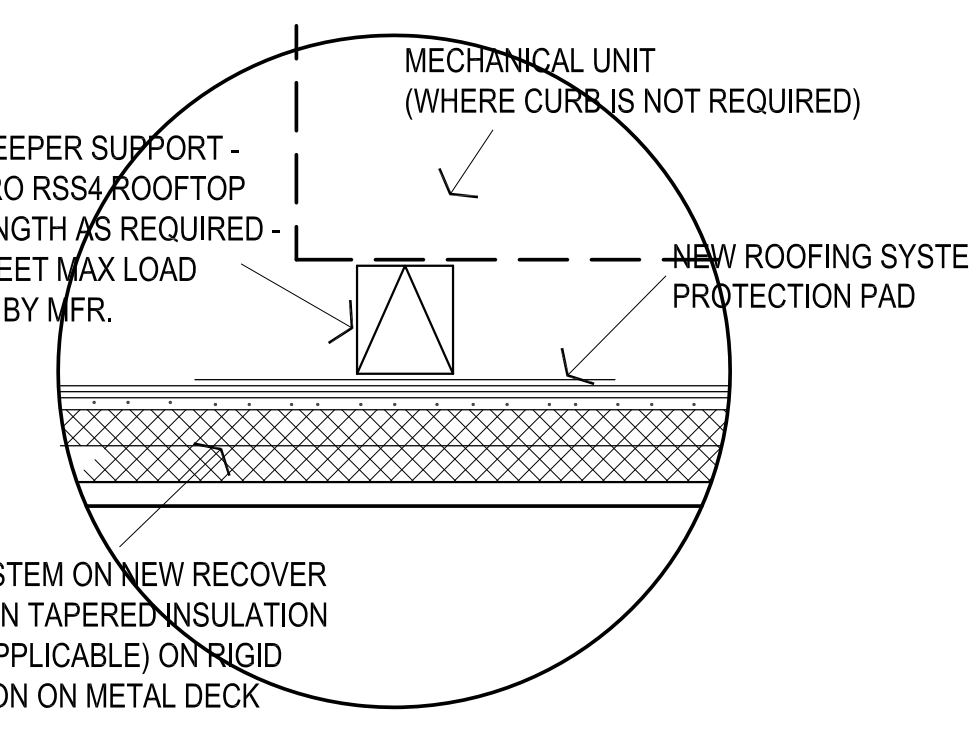
7 **DETAIL @ PVC / EMT SUPPORT**
NO SCALE



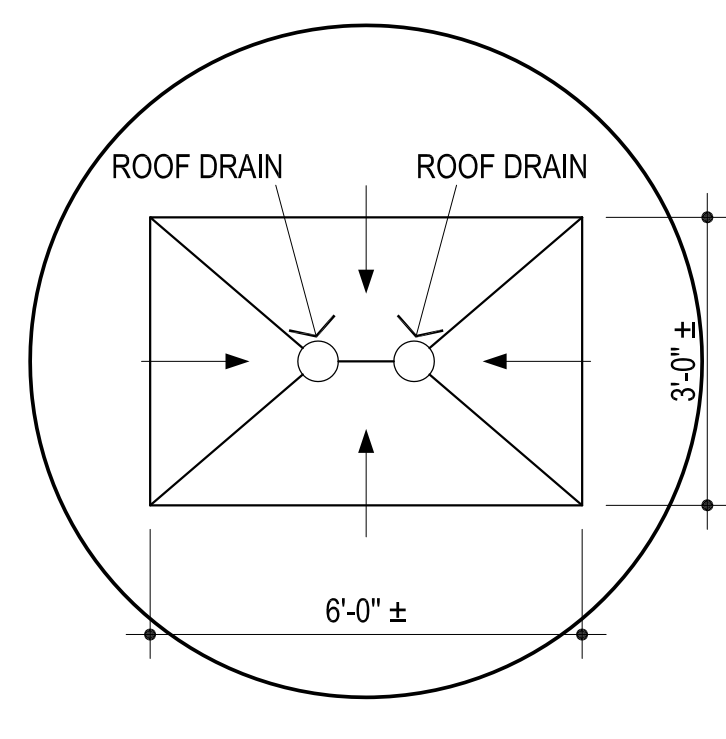
8 **SPLASH PAN**
NO SCALE



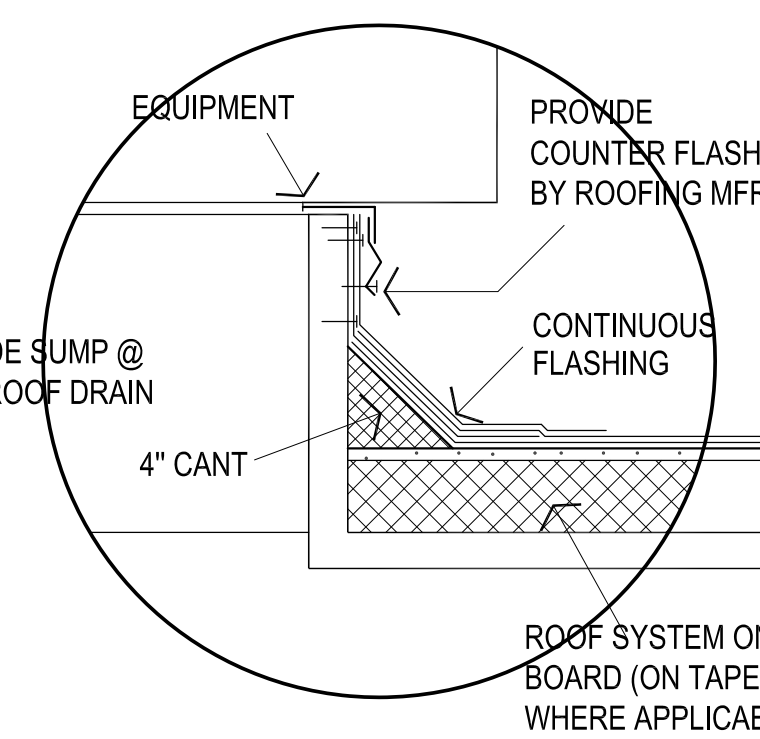
9



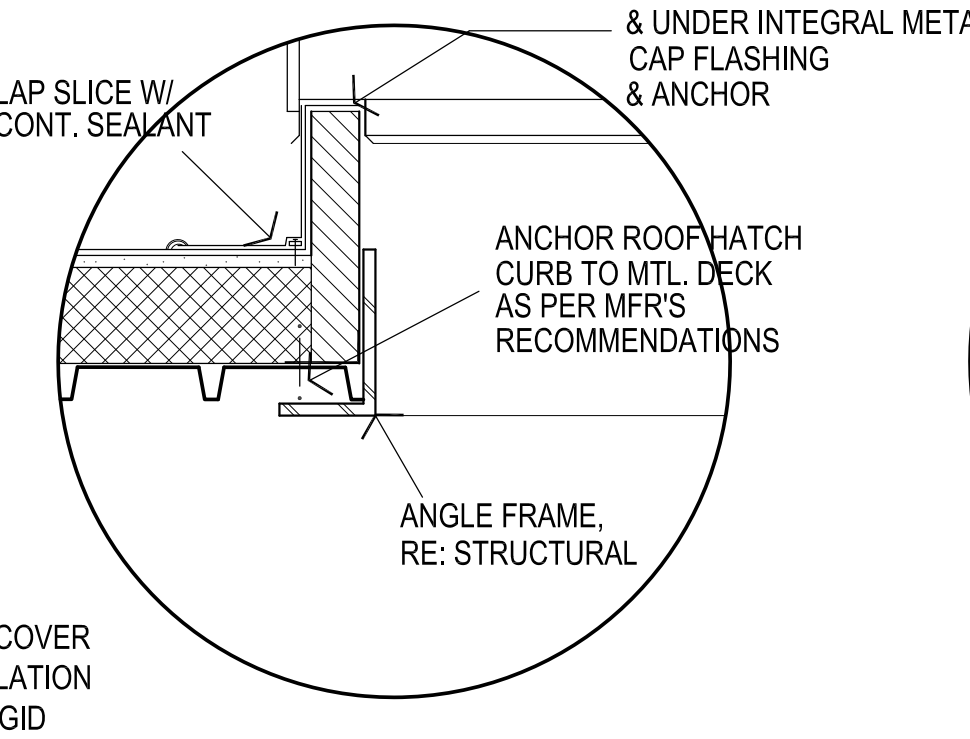
10 **MECH. UNIT SUPPORT**
NO SCALE



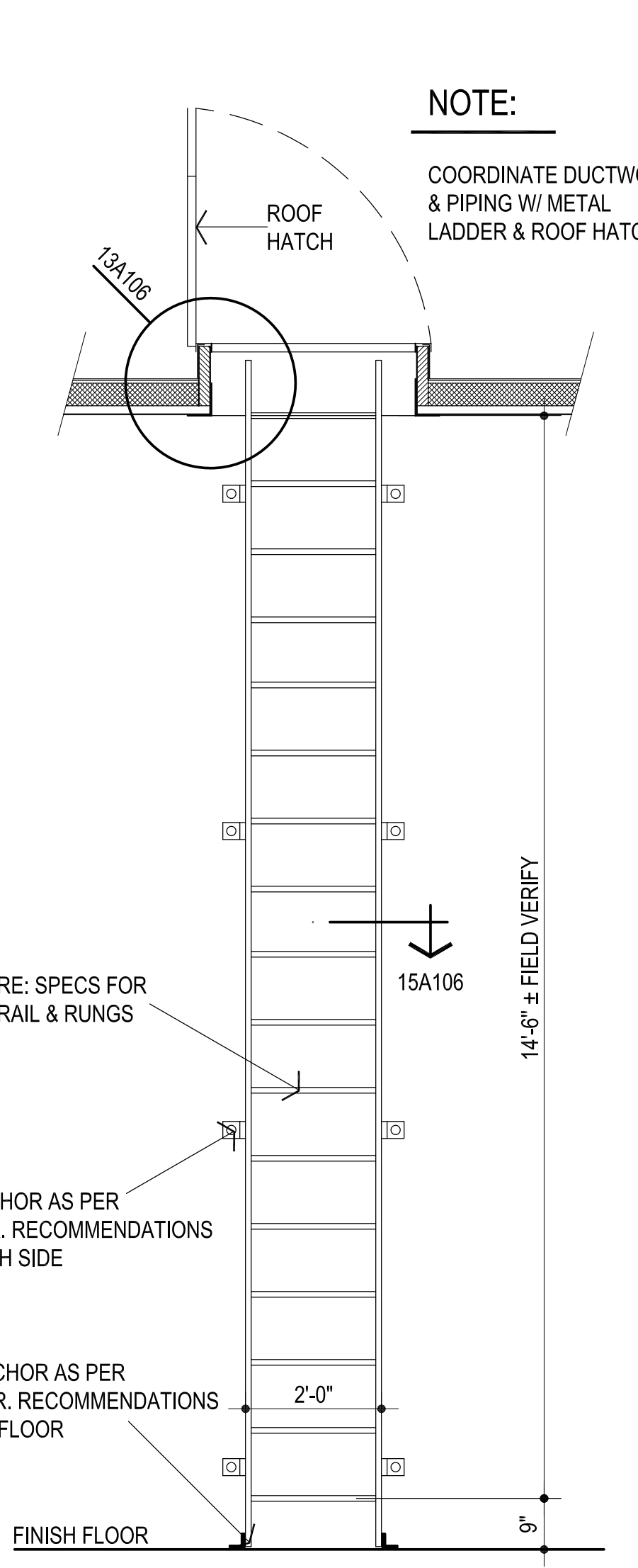
11 **ROOF DRAIN SUMP @ OVERFLOW ROOF DRAIN**
NO SCALE



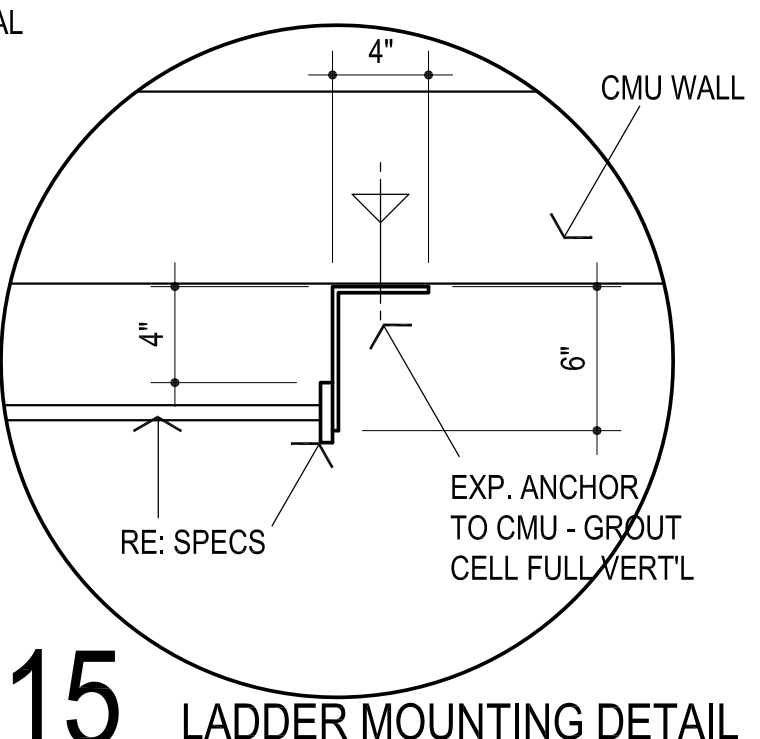
12 **MECH. CURB**
NO SCALE



13 **ROOF HATCH**



14 **INTERIOR ALUMINUM LADDER DETAIL**
1/2" = 1'-0"



15 **LADDER MOUNTING DETAIL**



CG	drawn by
MA	checked by
AUGUST 2025	date
	revisions