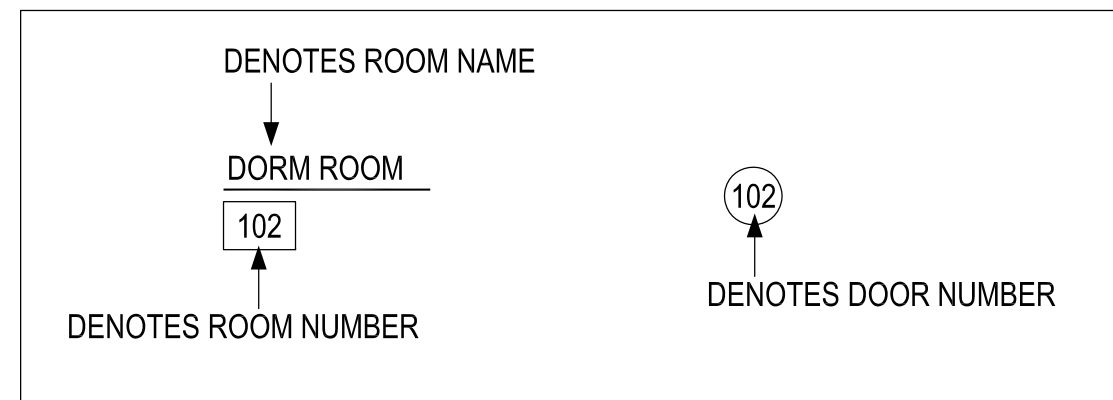
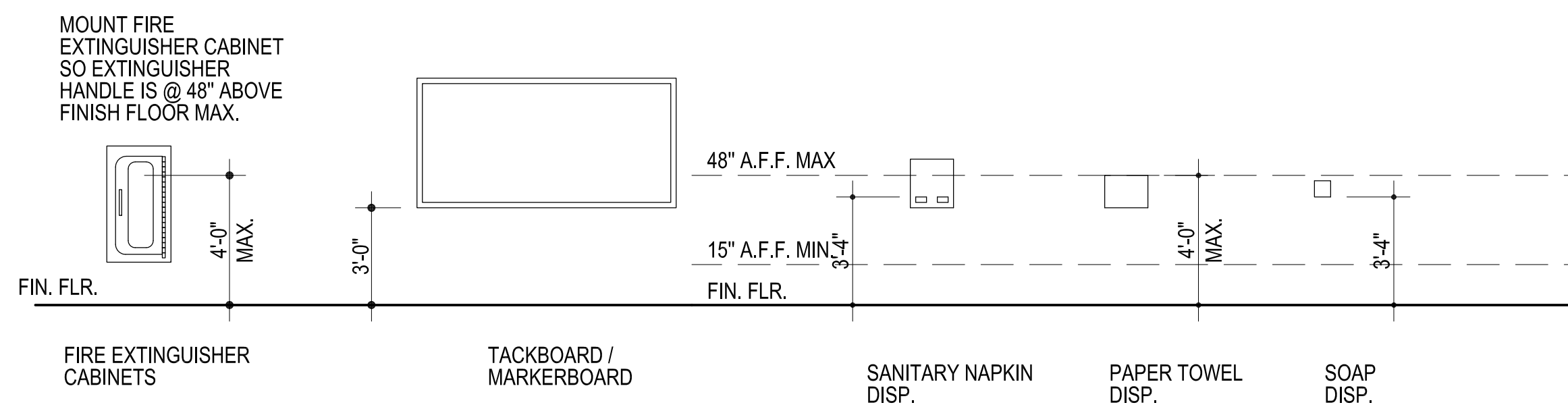


1 ENLARGED FLOOR PLAN
1/4" = 1'-0"

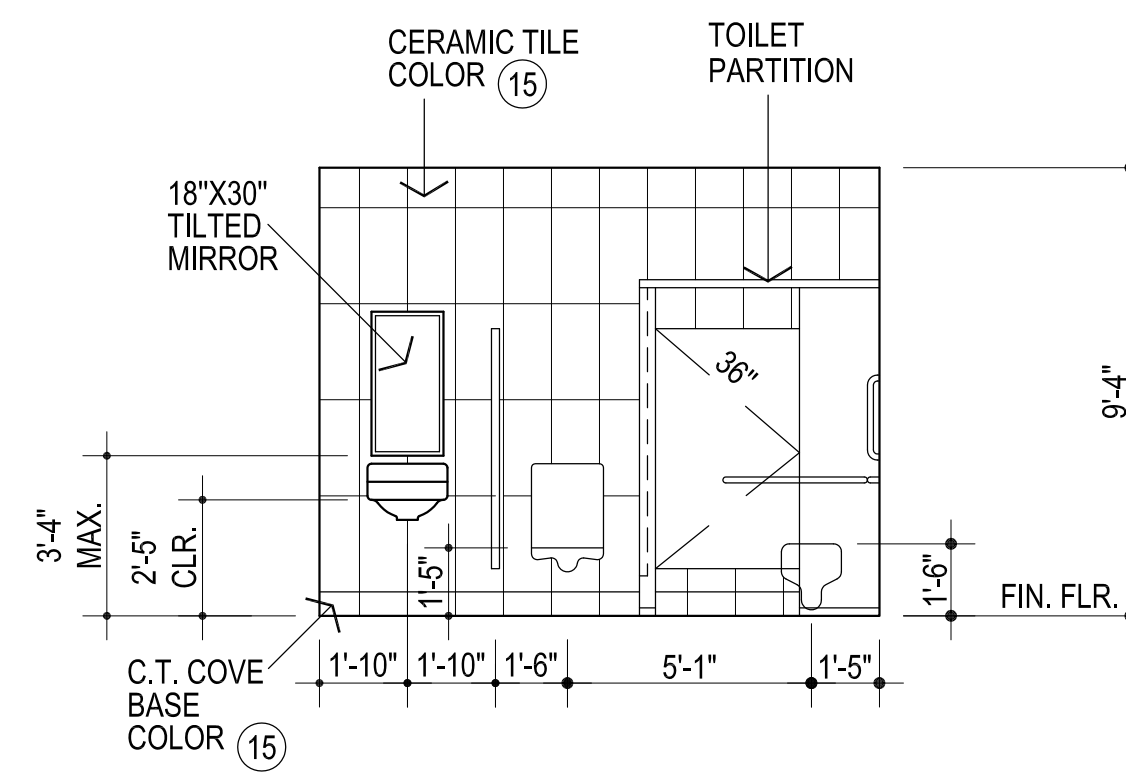


MISCELLANEOUS NOTES:

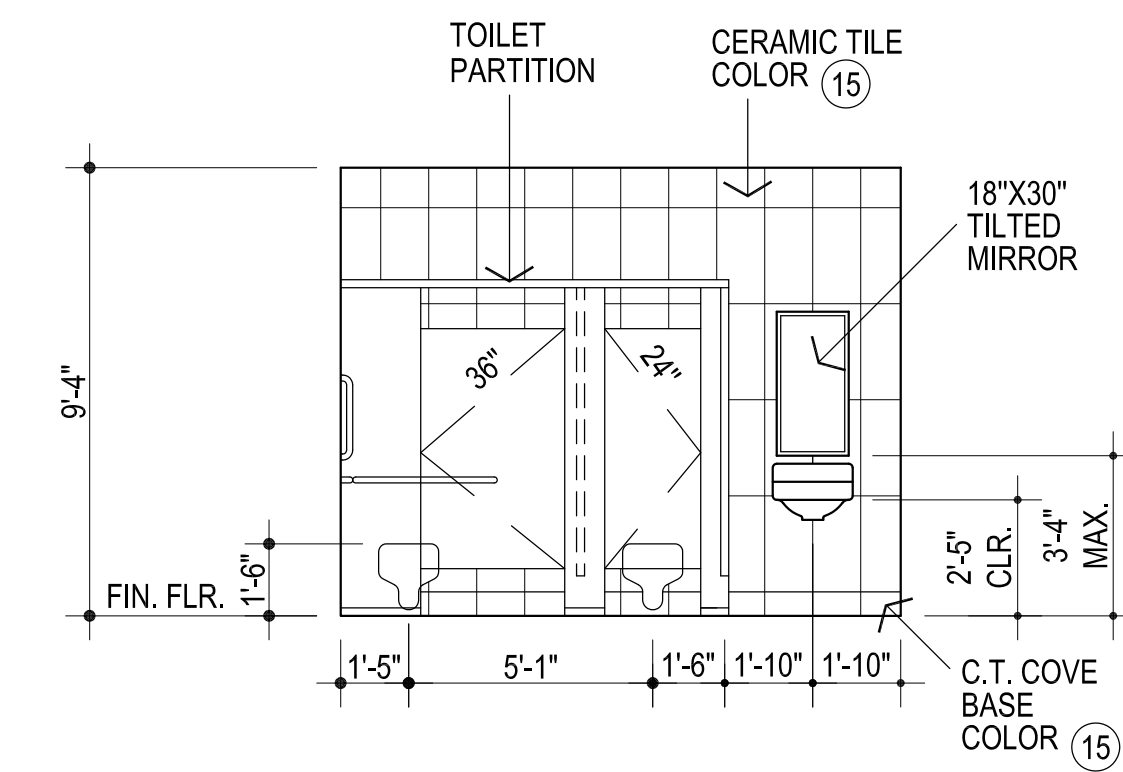
1. F.E.C. - FIRE EXTINGUISHER AND CABINET
2. REFER SHEET A108 FOR FLOORING FINISH LAYOUT
3. DO NOT SCALE DRAWINGS TO OBTAIN MATERIAL QUANTITIES. USE DRAWINGS WHICH ARE DIMENSIONED OR COORDINATE W/ EXISTING CONDITIONS &/OR ARCHITECT & ENGINEERS.
4. PROVIDE BULLNOSE @ ALL EXPOSED CMU CORNERS & ENDS



7 TYPICAL MOUNTING HEIGHTS
1/4" = 1'-0"

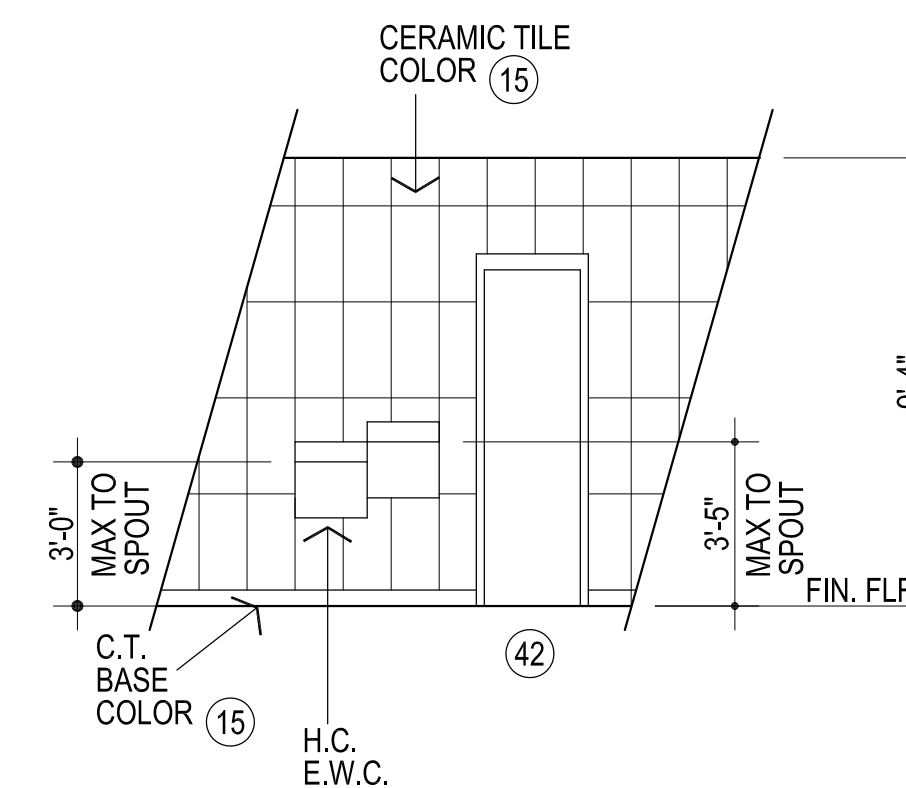


2 E. WALL RM #24
1/4" = 1'-0"

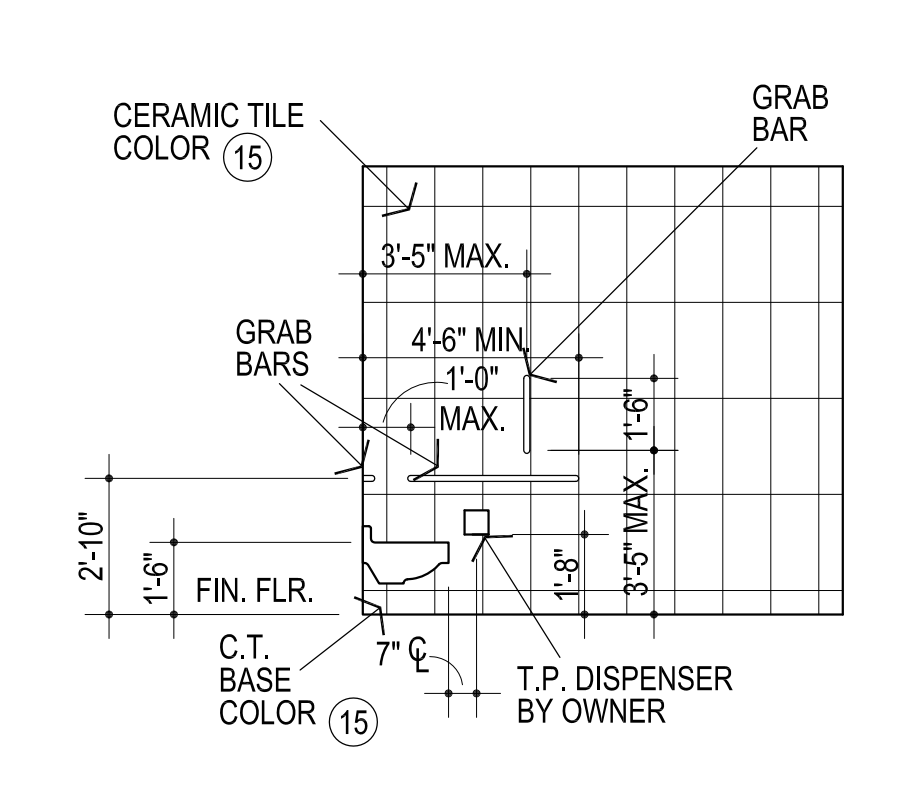


3 E. WALL RM #23
1/4" = 1'-0"

CONTRACTOR TO PROVIDE C.T. LAYOUT FOR REVIEW PRIOR TO INSTALLTION OF C.T.



4 TYP. DOUBLE E.W.C.
1/4" = 1'-0"

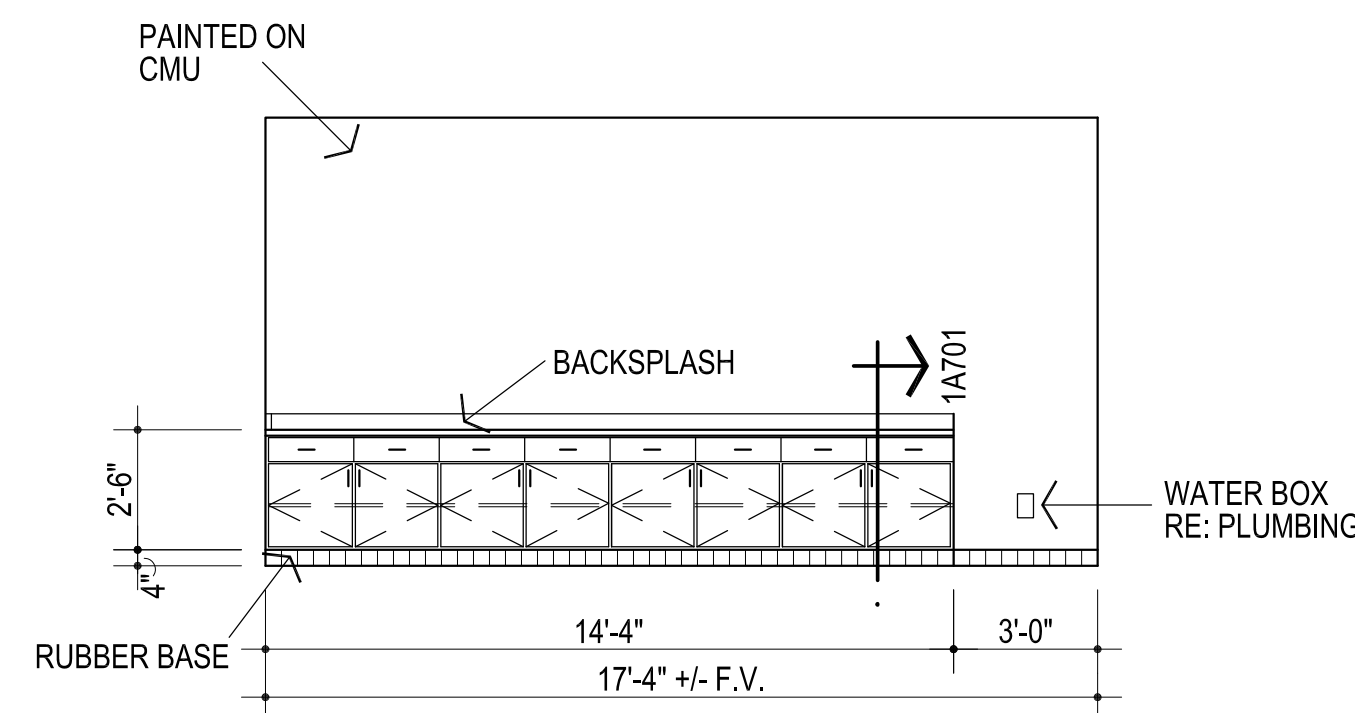


5 H.C. ACCESSIBLE W.C. - SIDEWALL
1/4" = 1'-0"

NOTE: CONTRACTOR TO VERIFY THAT THE MOUNTING HEIGHTS & MINIMUM CLEARANCES OF ALL WALL MOUNTED FIXTURES (I.E. PLUMBING FIXTURES, GRAB BARS, MIRRORS, ETC.) MEET ALL APPLICABLE CODES & STANDARDS PRIOR TO INSTALLATION.

NOTE: REFER SPECIFICATIONS FOR TOILET ACCESSORIES REQUIREMENTS

NOTE: FIELD VERIFY TOILET PARTITION DIMENSIONS PRIOR TO FABRICATION. PROVIDE ALL MATERIALS REQUIRED FOR A COMPLETE INSTALLTION AT NO ADDITIONAL COST



6 N. WALL ROOM # 25
1/4" = 1'-0"

