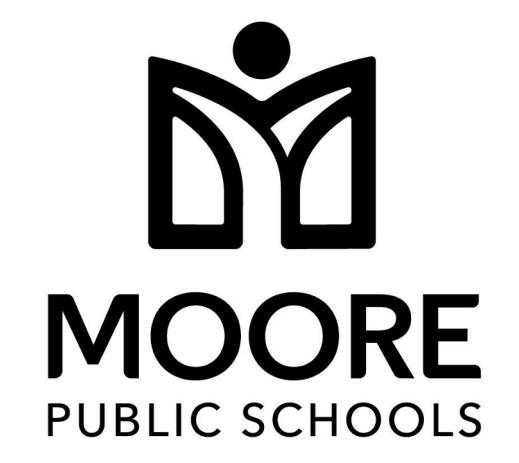




KF
drawn by
DG
checked by
MARCH 2026
date

REVISIONS

Δ	DESCRIPTION	DATE



SOUTHMOORE HIGH SCHOOL HVAC REPLACEMENT

sheet no:

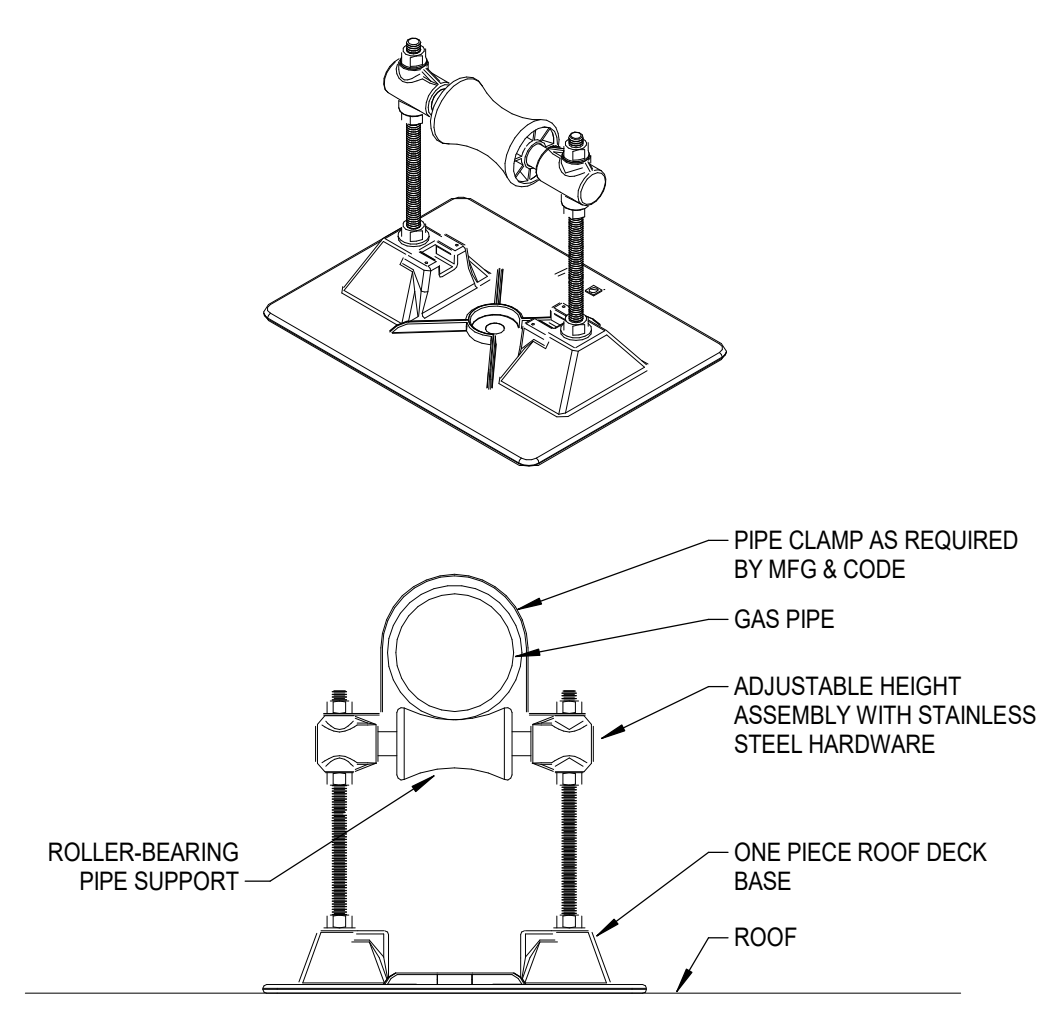
M601

OWNERSHIP USE OF DOCUMENTS:
AGP EXPRESSLY RESERVES ITS COPYRIGHT AND OTHER PROPERTY RIGHTS OF ALL PLANS AND DRAWINGS DESIGNED AND/OR PRODUCED. PLANS AND DRAWINGS ARE NOT TO BE REPRODUCED IN ANY FORM OR MANNER WITHOUT THE EXPRESSED WRITTEN CONSENT OF AGP.

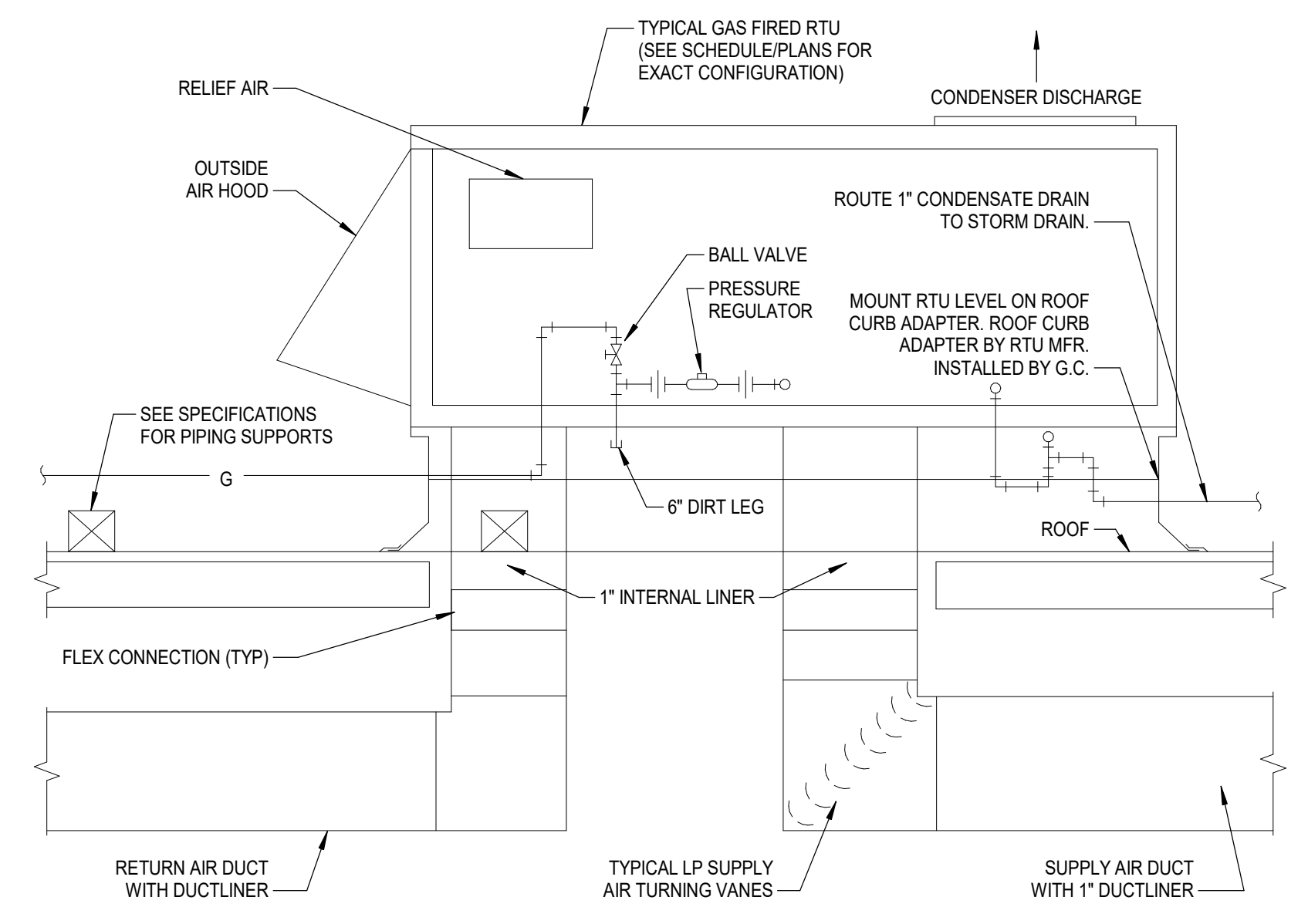
PACKAGED ROOFTOP UNIT - GAS HEAT

MARK	SUPPLY CFM	FAN					ENERGY RECOVERY PERFORMANCE							COOLING							HEATING							BASIS OF DESIGN				REMARKS		
		OUTSIDE AIR CFM	EXT STATIC PRESSURE (IN. W.C.)	HORSE POWER	CURRENT CHAR		SUMMER OA AIR DB/WB (°F)	SUMMER LAT DB/WB (°F)	EFFECTIVENESS S %	WINTER OA DB/WB (°F)	WINTER LAT DB/WB (°F)	EFFECTIVENESS %	AIR TEMPERATURE (°F)				TOTAL CAPACITY (BTU)	SENSIBLE CAPACITY (BTU)	STAGES	MINIMUM SEER	ENTERING AIR TEMP (°F)	LAT (°F)	INPUT (BTUH)	OUTPUT (BTUH)	STAGES (HEAT)	AFUE %	MANUFACTURER	MODEL	MCA	MOCP	WEIGHT (LBS)			
					V	P							F	EAT DB	EAT WB WET BULB	LAT DB																	LAT WB	AMBIENT TEMP
AHLU-G1	38000	5.680	2.00	60.0	480	3	60	-	-	-	-	-	81.0	65.0	55 °F	53 °F	104 °F	1284000	1114000	SZ/AV	10.3	59	99 °F	2000000	1620000	MOD	80	INNOVENT	CAHU-38000-AC-IF-460	328	350	31000	1-17	
AHLU-H1	42000	10.471	3.00	75.0	480	3	60	110 / 74	83 / 64	83	0 / 0	47 / 41	83	73.0	60.0	55 °F	52 °F	104 °F	883000	865000	SZ/AV	9.9	62	98 °F	2000000	1620000	MOD	80	INNOVENT	ERU-OU-WH-42000-AC-IF-460	298	300	36600	1-16,18,19

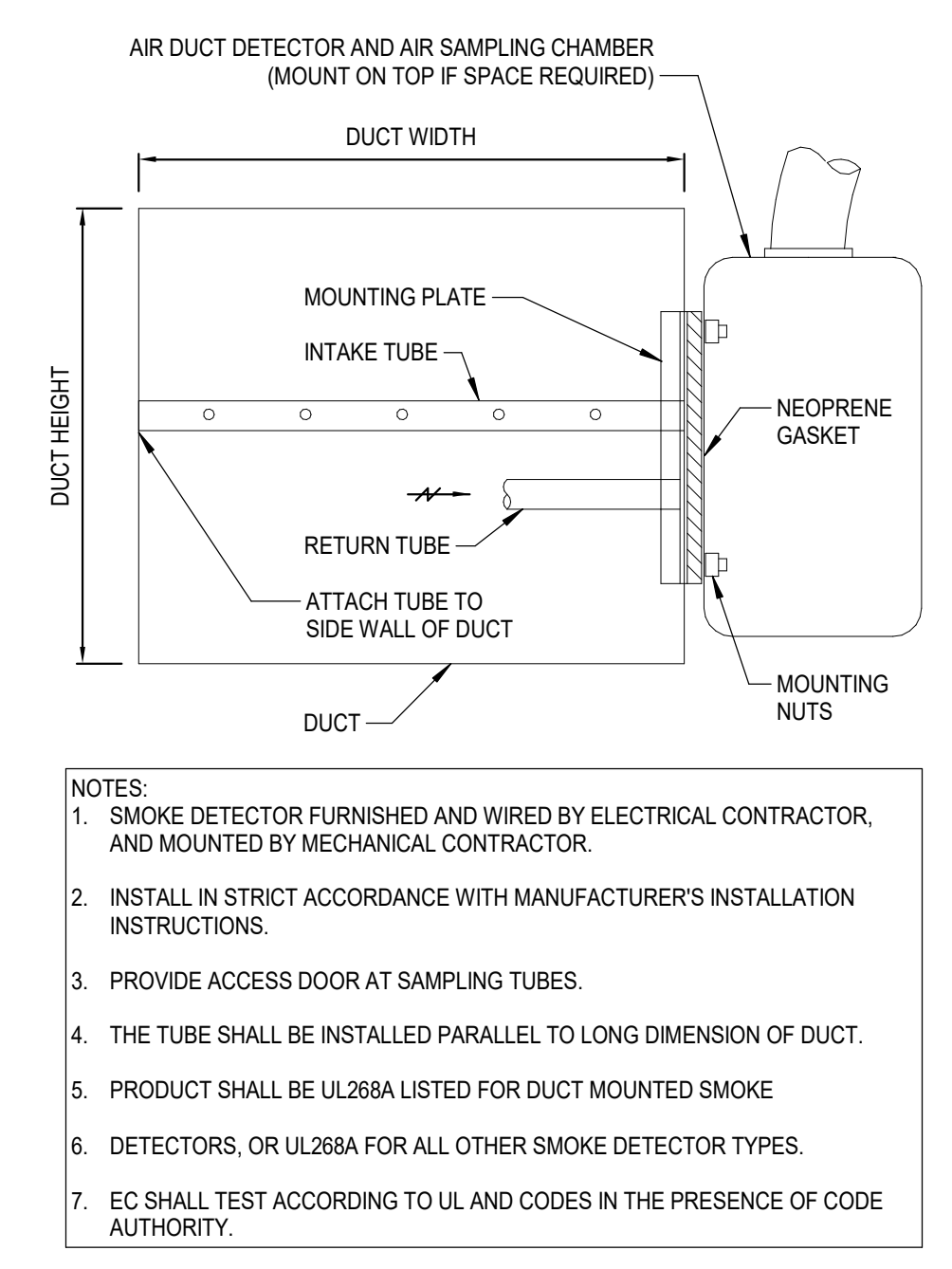
- GENERAL NOTES:**
- EXTERNAL STATIC PRESSURE INCLUDES LOSSES DUE TO DUCTWORK, AIR DEVICES, DAMPERS, AND DUCT MOUNTED HOT WATER COILS WHERE APPLICABLE. DIRTY FILTER AND UNIT CASING MUST BE ADDED TO EXTERNAL STATIC PRESSURE TO OBTAIN TOTAL PRESSURE LOSS. INCREASE HORSEPOWER AS REQUIRED TO MEET YOUR TOTAL PRESSURE LOSS. COORDINATE WITH ELECTRICIAN.
 - MAINTAIN MINIMUM CLEARANCE FOR COIL PULL AS RECOMMENDED BY UNIT MANUFACTURER. MAINTAIN MINIMUM CLEARANCE AS REQUIRED TO OPEN ACCESS AND CONTROL DOORS ON UNIT FOR SERVICE, MAINTENANCE, AND INSPECTION. MAINTAIN MINIMUM ELECTRICAL CLEARANCE AS REQUIRED BY NEC.
- REMARKS:**
- PROVIDE UNIT WITH DISCONNECT SWITCH, HAIL GUARD, DUAL SIDED HINGED ACCESS DOORS, AND POWERED CONVENIENCE OUTLET.
 - PROVIDE UNIT WITH DUCT SMOKE DETECTOR IN SUPPLY AND RETURN DUCTWORK.
 - PROVIDE WITH NEW 14" CURB. EXISTING ROOF HAS A 1/8" SLOPE. CURB SHALL BE MOUNTED LEVEL ON SLOPED ROOF.
 - PROVIDE UNIT WITH LOW AMBIENT CONTROL.
 - PROVIDE UNIT WITH TEMPERATURE AND HUMIDITY SENSOR AND BMS PROTOCOL.
 - PROVIDE A WATER LEVEL SENSING DEVICE (FLOW SWITCH) IN THE PRIMARY DRAIN PAN. THIS DEVICE SHALL SHUT OFF THE APPLIANCE IN THE EVENT THE PRIMARY DRAIN LINE BECOMES RESTRICTED.
 - PROVIDE LOW LEAK ENTHALPY ECONOMIZER WITH POWERED EXHAUST.
 - PROVIDE UNIT WITH 304L STAINLESS STEEL HEAT EXCHANGER WITH MODULATING GAS HEAT WITH 20:1 TURNDOWN ON MODULATION.
 - UNIT SHALL HAVE DOWN SUPPLY AND RETURN DUCT CONNECTIONS.
 - PROVIDE UNIT WITH FULL MODULATING HGRH.
 - PROVIDE FACTORY MOUNTED BACNET COMPATIBLE CONTROL FOR CONTROLS CONTRACTOR.
 - UNIT TO USE R-454B REFRIGERANT.
 - PROVIDE UNIT CASING SHALL USE DOUBLE WALL CONSTRUCTION WITH FOAM-INJECTED PANELS.
 - PROVIDE UNIT WITH COMPARATIVE ENTHALPY ECONOMIZER WITH LOW LEAK DAMPERS.
 - PROVIDE UNITS WITH VARIABLE SPEED COMPRESSOR FOR CAPACITY MODULATION FROM 15% TO 100%.
 - MECHANICAL CONTRACTOR IS RESPONSIBLE FOR ALL ELECTRICAL COSTS ASSOCIATED WITH ANY ALTERNATE UNIT IS PROVIDED WITH GREATER ELECTRICAL CHARACTERISTICS THAN SHOWN.
 - PROVIDE AIRFOIL RETURN FAN WITH SHAFT GROUNDING RINGS. PROVIDE FACTORY INSTALLED ABB VFDs AND MODULATE TO BUILDING PRESSURE CONTROL.
 - PROVIDE AIRFOIL EXHAUST FAN WITH SHAFT GROUNDING RINGS. PROVIDE FACTORY INSTALLED ABB VFDs AND MODULATE TO BUILDING PRESSURE CONTROL.
 - PROVIDE INTEGRAL TOTAL ENERGY RECOVERY WHEEL.



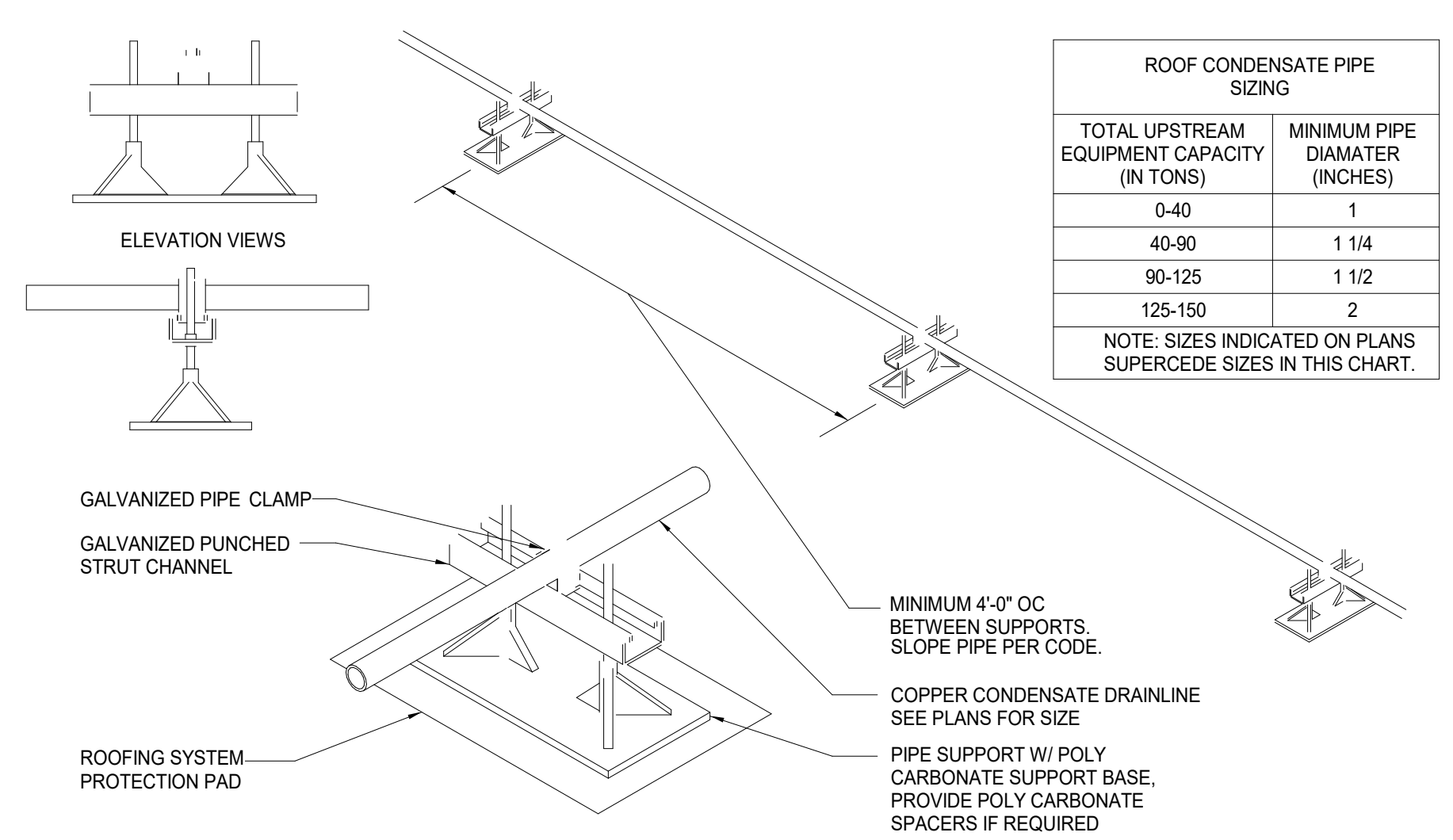
3 ROOF PIPE SUPPORT DETAIL
Scale: N.T.S.



2 TYP. ROOF TOP UNIT GAS FIRED DETAIL
Scale: N.T.S.



1 SMOKE DETECTOR MOUNTING DETAIL
Scale: N.T.S.



4 ROOF CONDENSATE SUPPORT DETAIL
Scale: N.T.S.

Salas O'Brien

Salas O'Brien, Inc. - Oklahoma City
2900 S. Telephone Road, Suite 120
Moore, OK 73160
CA#: 9820 Expiration Date: 06/30/2027
Salas O'Brien Project Number: 2550-02191-00