



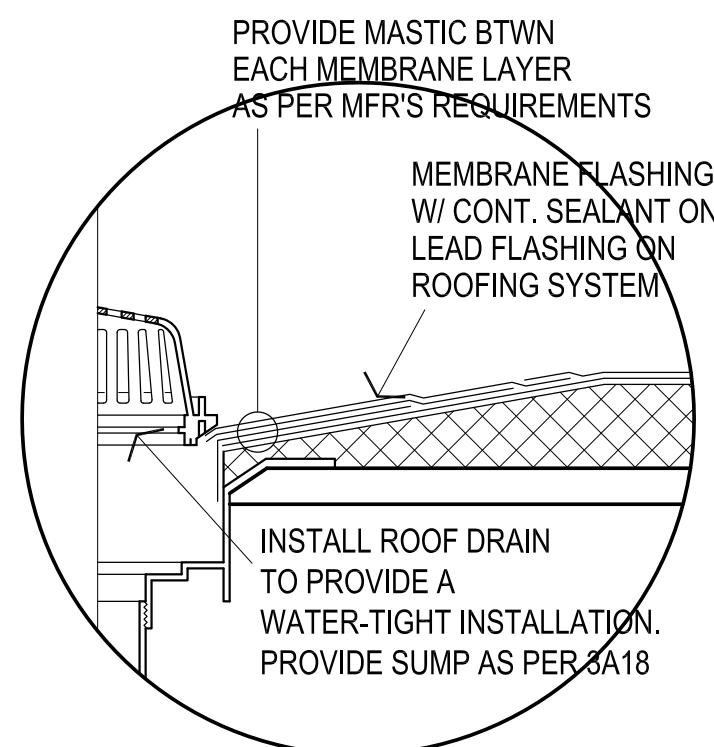
CG
drawn by
MA
checked by
MARCH 2026
date
revisions

sheet no:

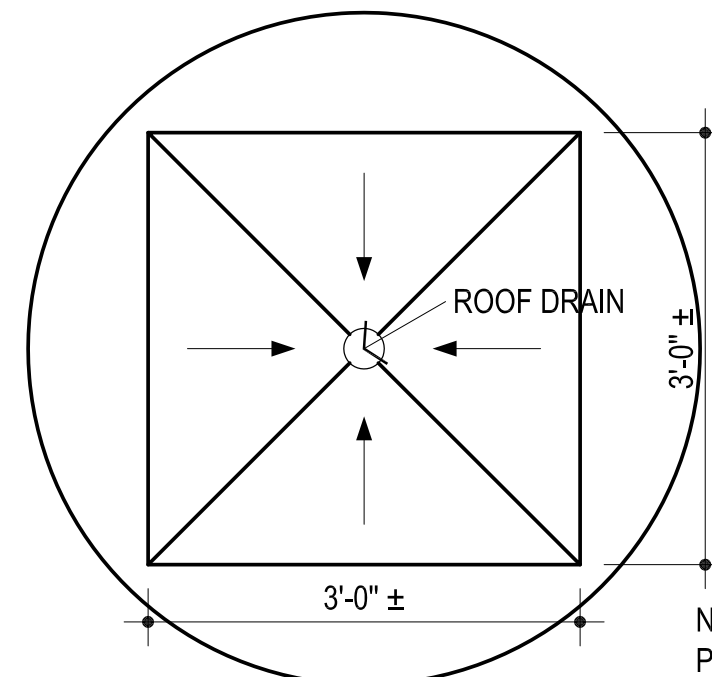
A102

DETAILS

OWNERSHIP USE OF DOCUMENTS:
AGP EXPRESSLY RESERVES ITS
COPYRIGHT AND OTHER PROPERTY
RIGHTS OF ALL PLANS AND DRAWINGS
DESIGNED AND/OR PRODUCED. PLANS
AND DRAWINGS ARE NOT TO BE
REPRODUCED IN ANY FORM OR MANNER
WITHOUT THE EXPRESSED WRITTEN
CONSENT OF AGP.

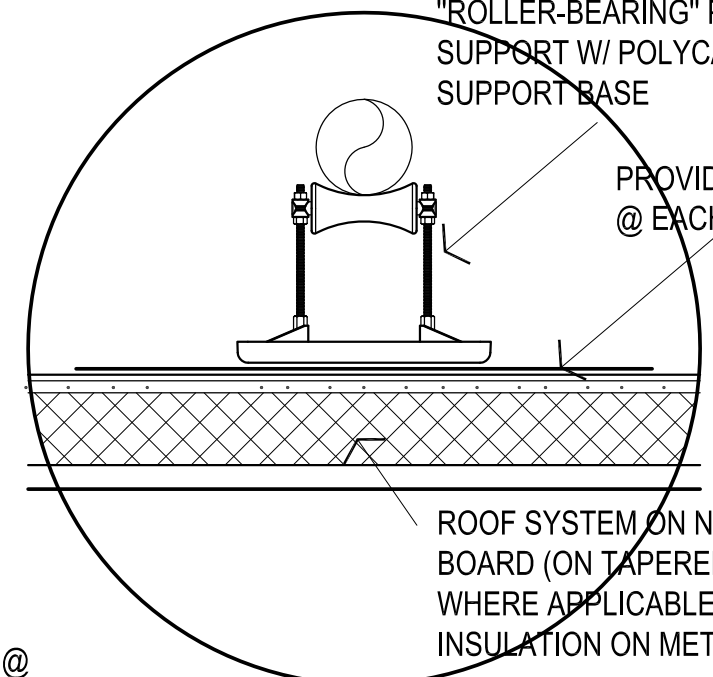


1 ROOF DRAIN
NO SCALE

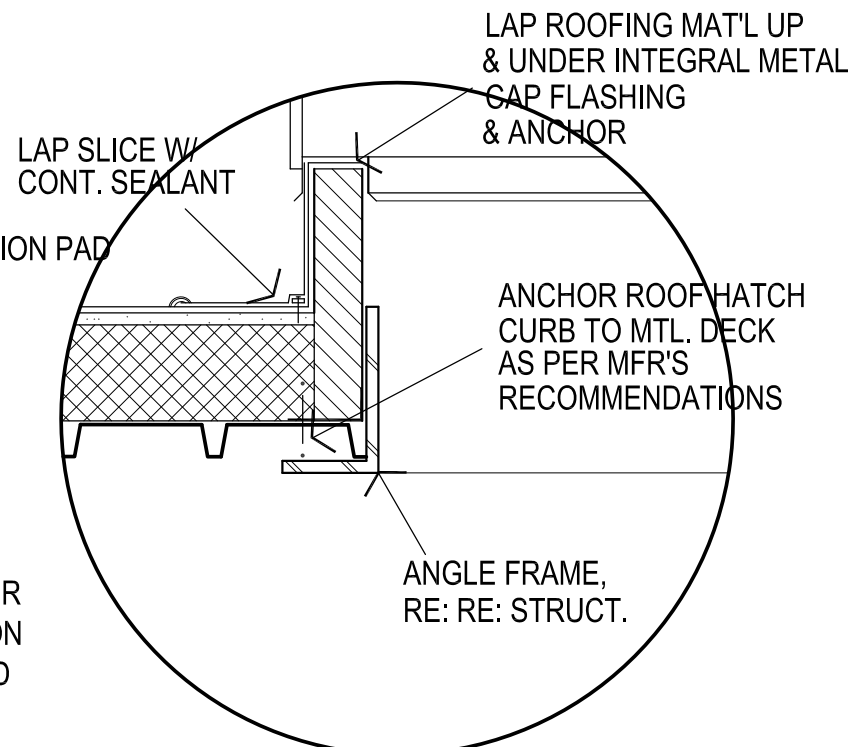


2 ROOF DRAIN SUMP
NO SCALE

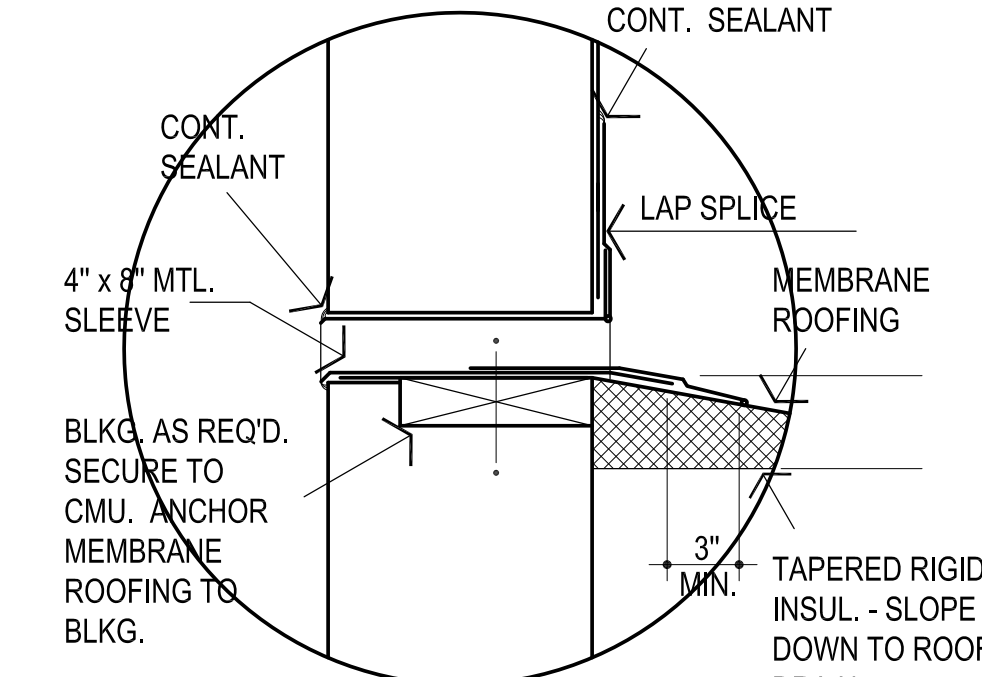
NOTE:
PROVIDE SUMP @
EACH ROOF DRAIN



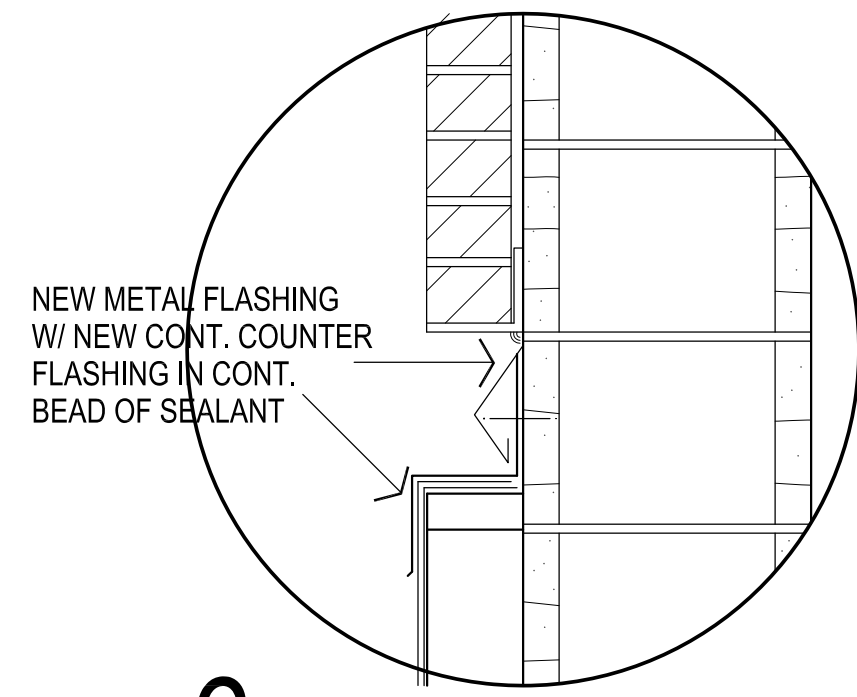
3 ADJUSTABLE PIPE SUPPORTS -
FRONT VIEW
NO SCALE



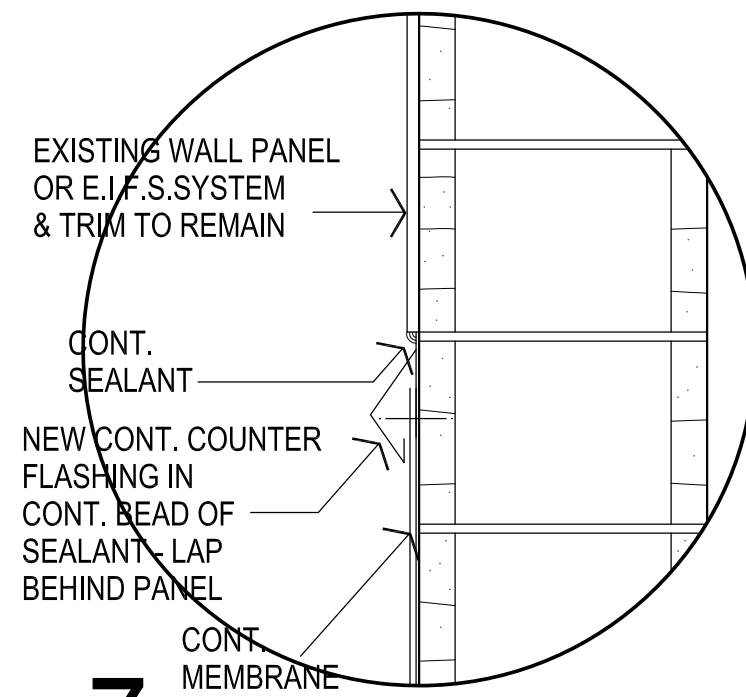
4 ROOF HATCH
NOT TO SCALE



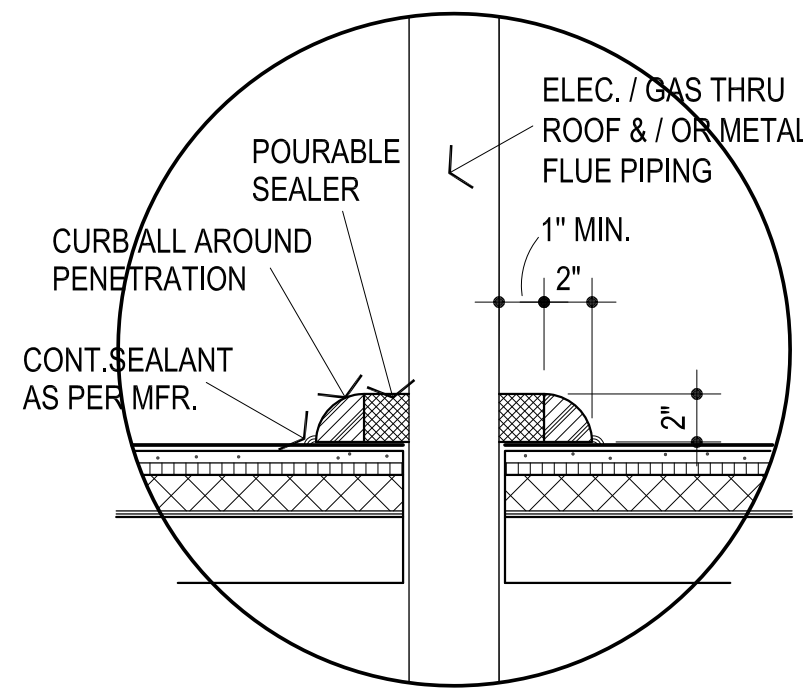
5 RELIEF SCUPPER
NOT TO SCALE



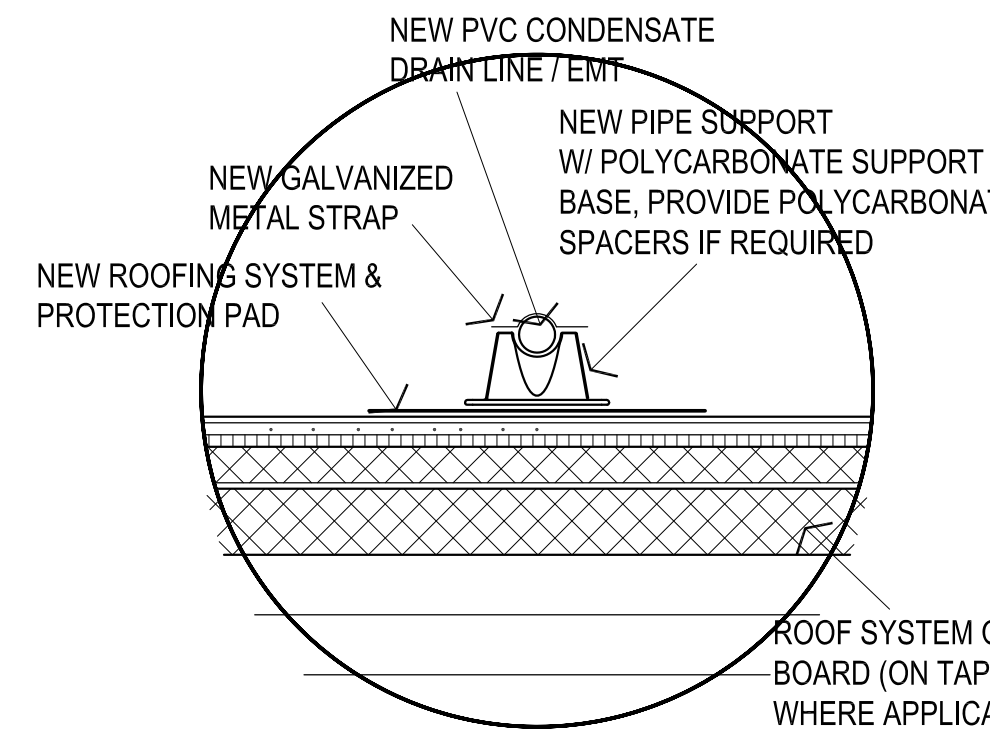
6



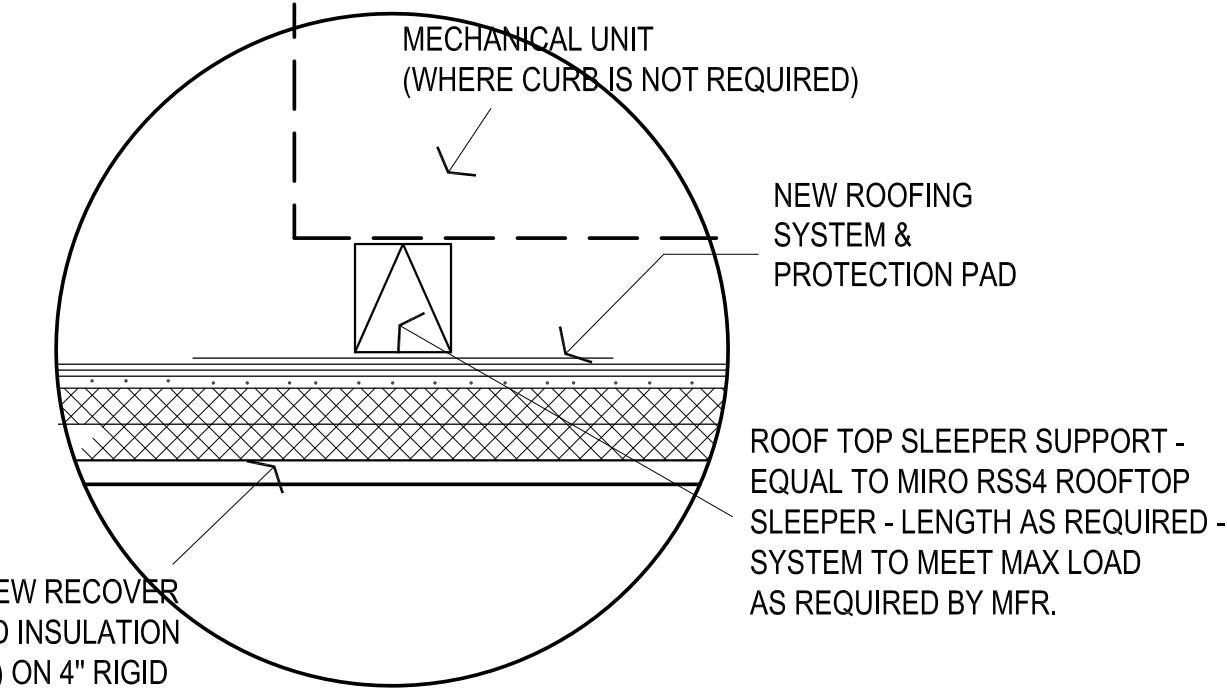
7



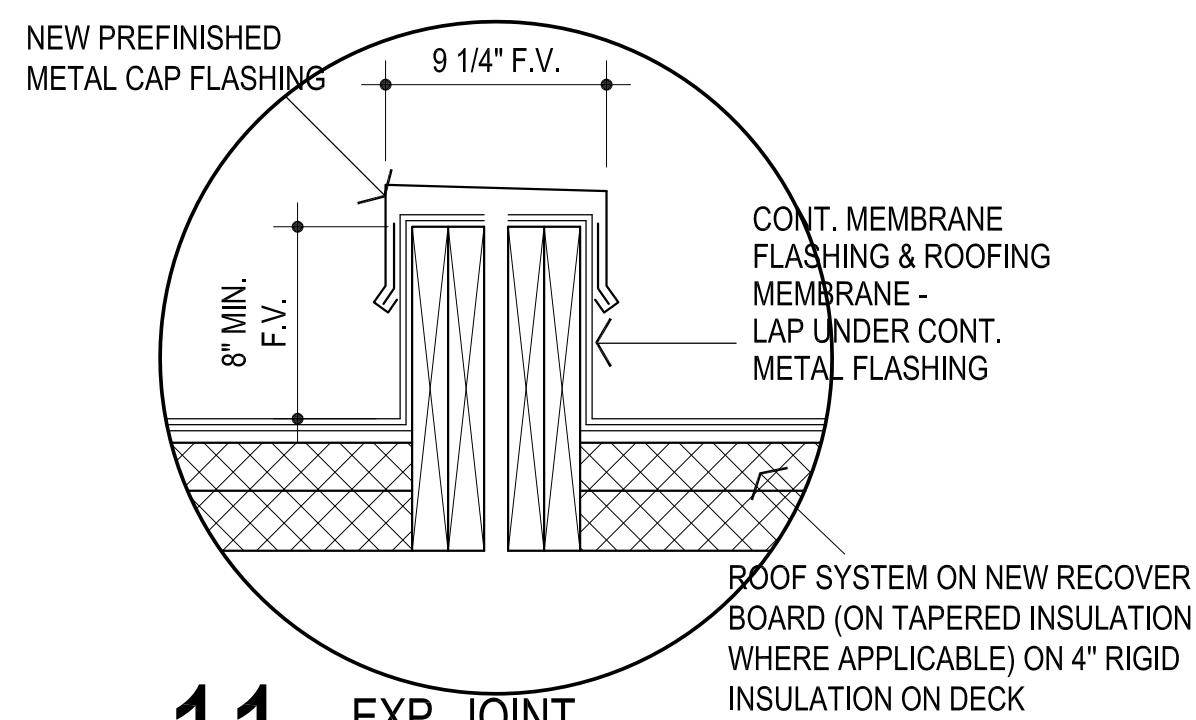
8 PENETRATION DAM /
SEALER POCKET @
MAJOR PENETRATIONS



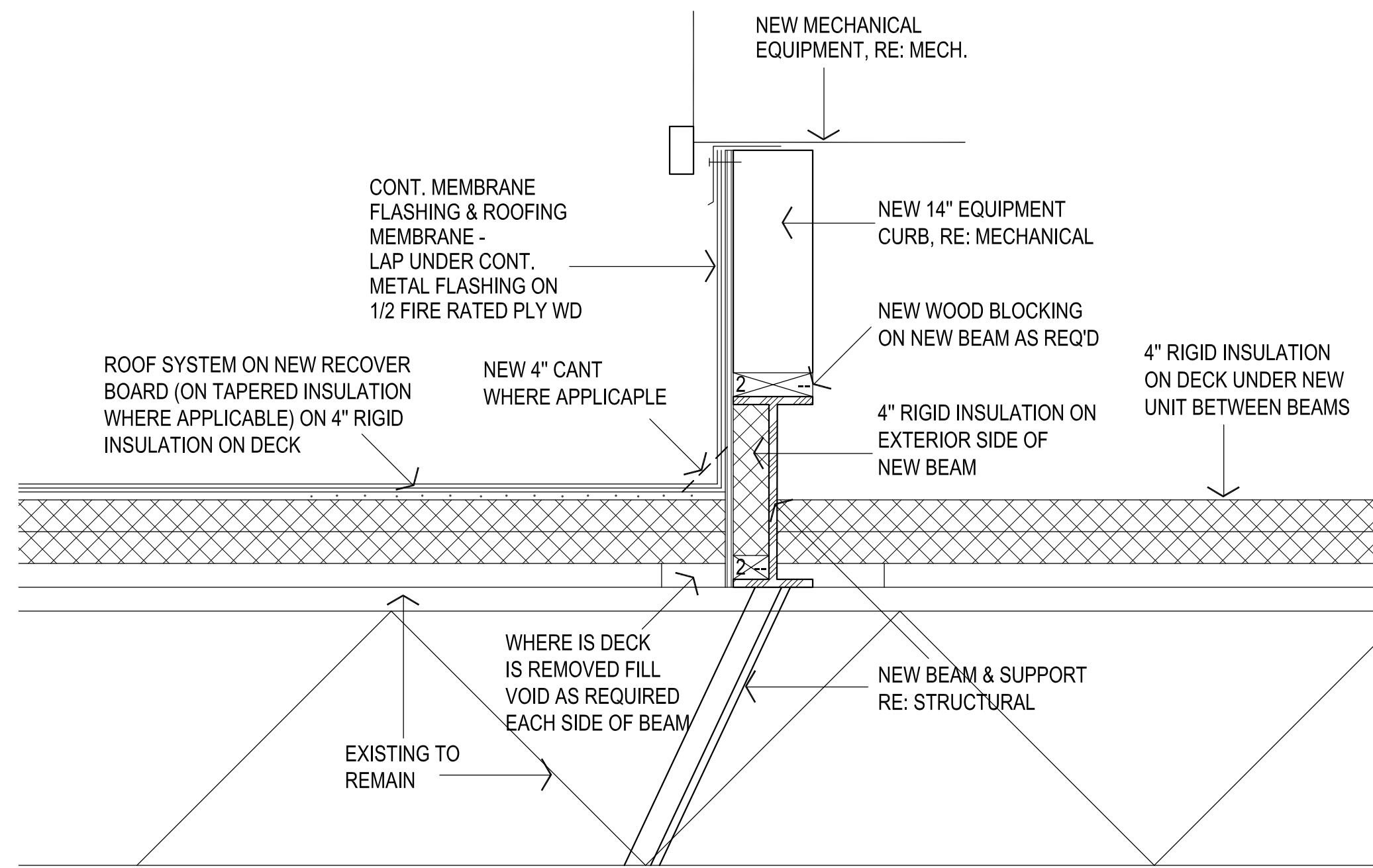
9 DETAIL @ PVC / EMT
SUPPORT



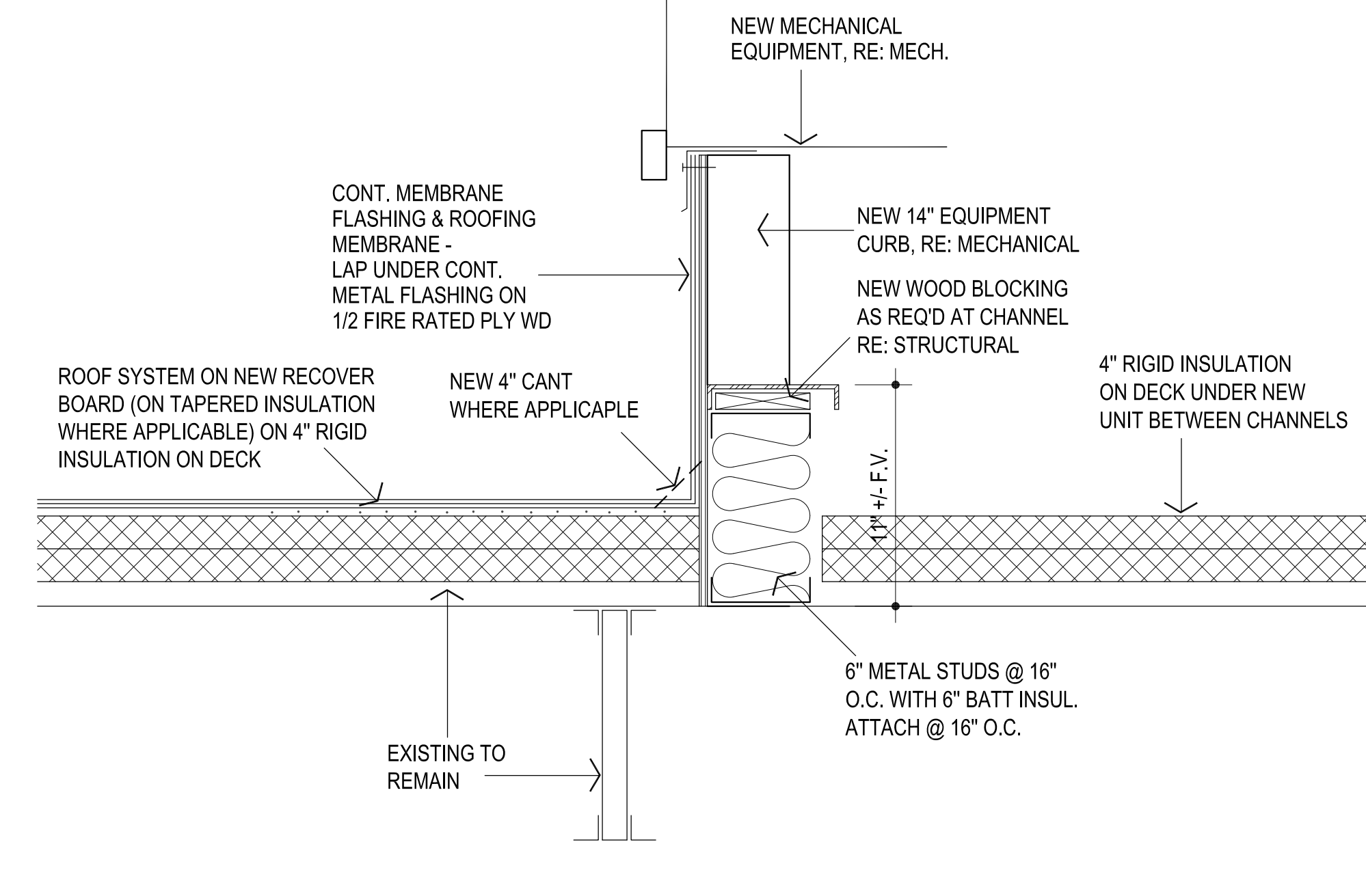
10 MECH. UNIT SUPPORT
NO SCALE



11 EXP. JOINT
NO SCALE



12 RTU CURB
NO SCALE



13 RTU CURB
NO SCALE