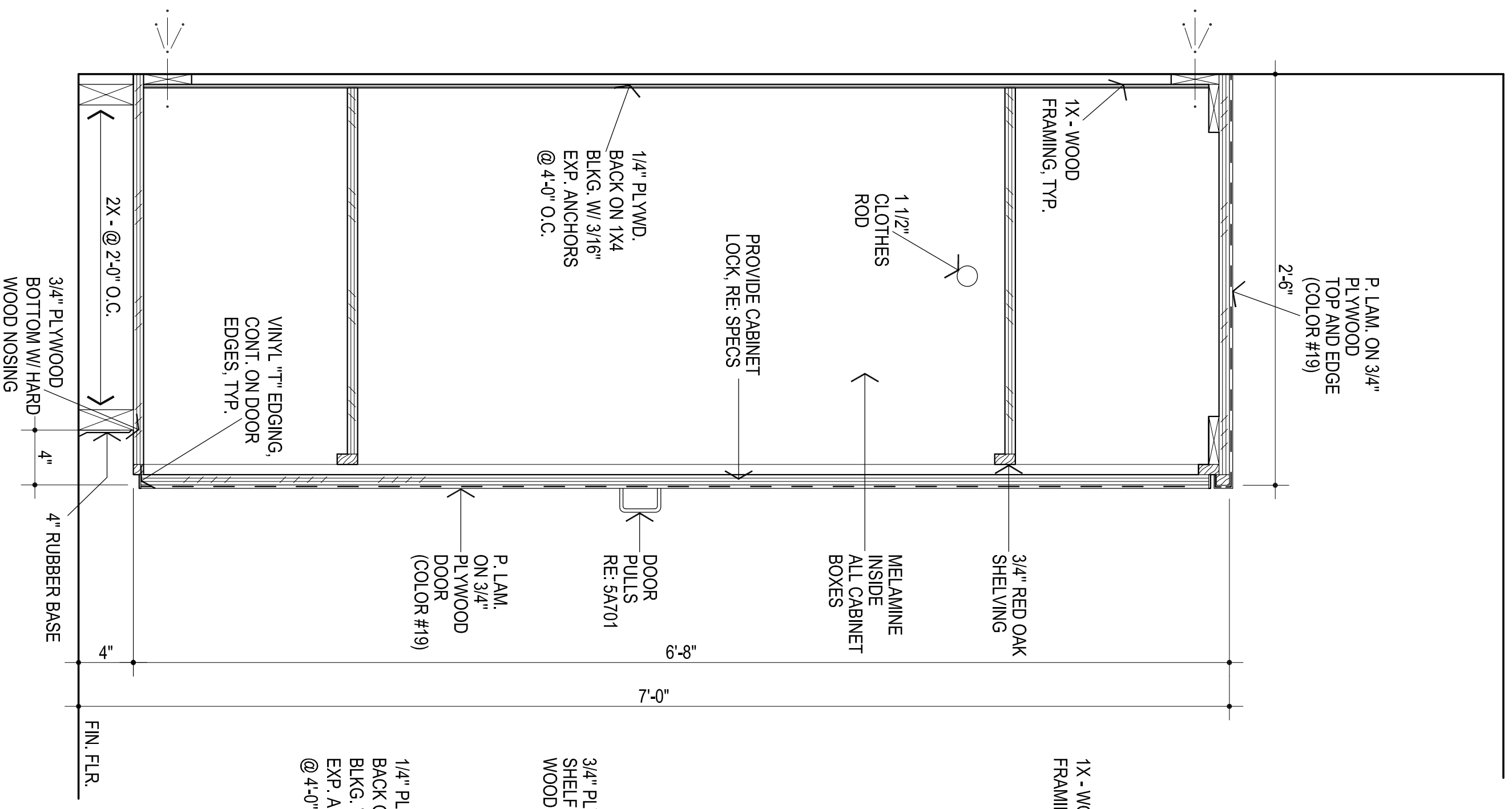
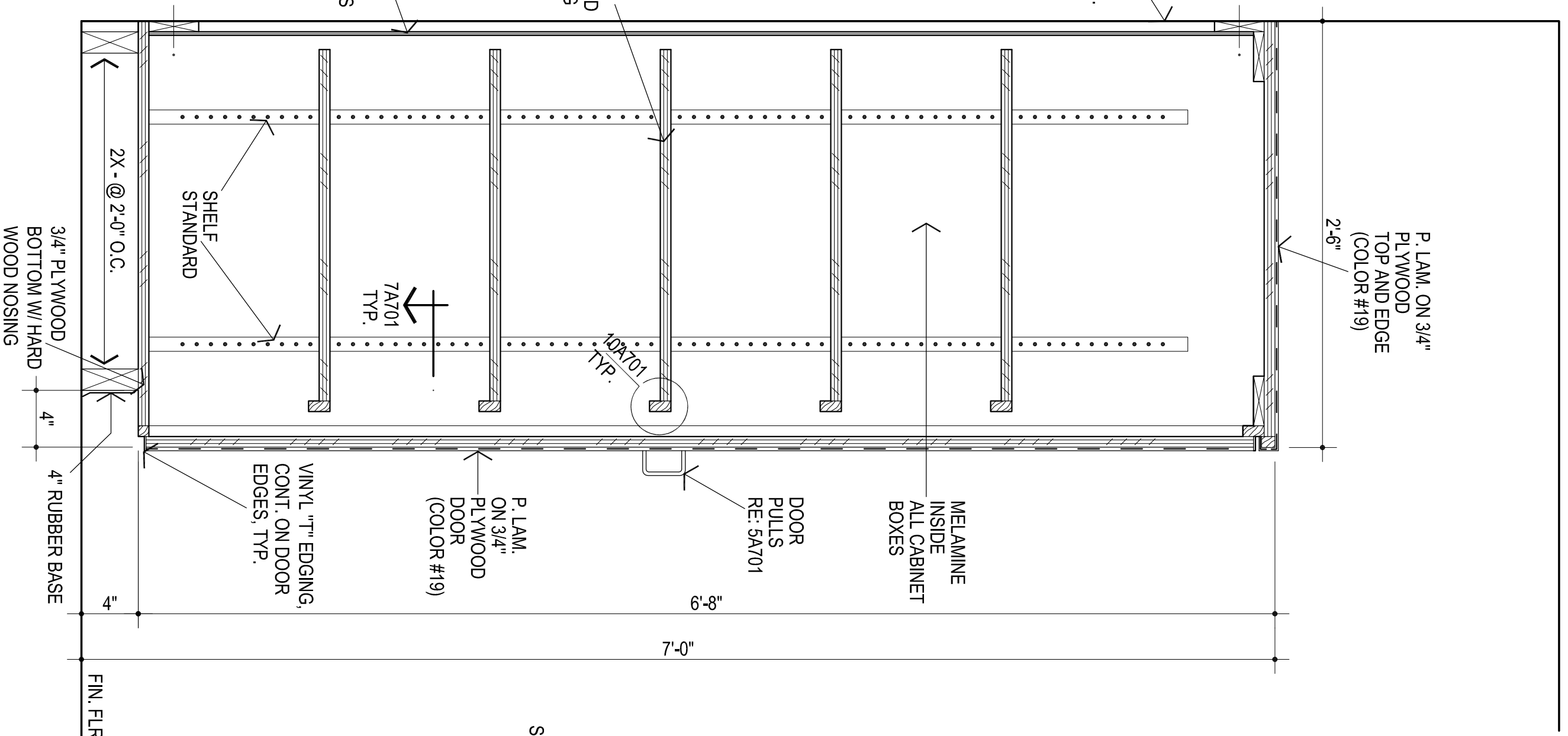


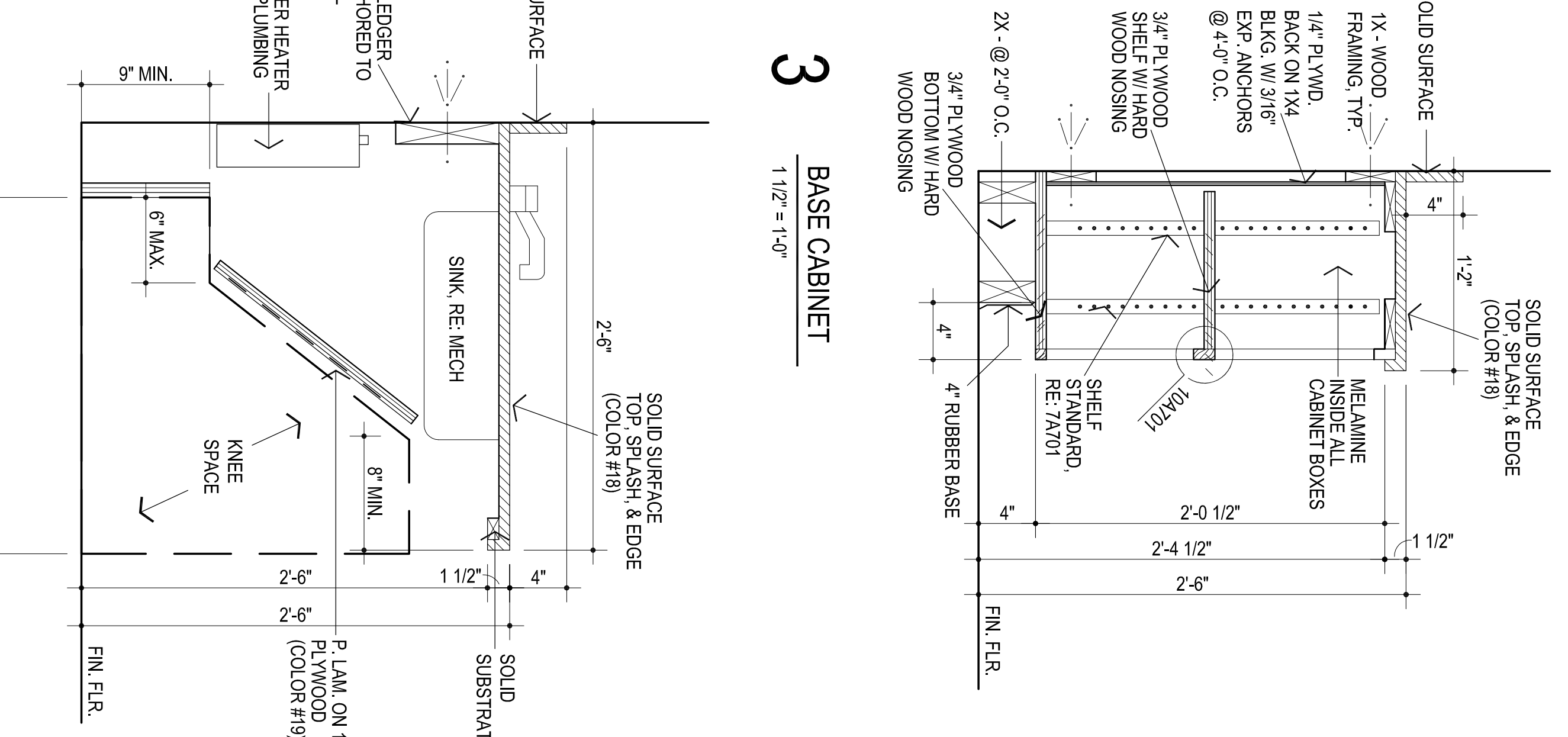
FRAMELESS
CABINET / EUROPEAN
CONSTRUCTION IS
ACCEPTABLE



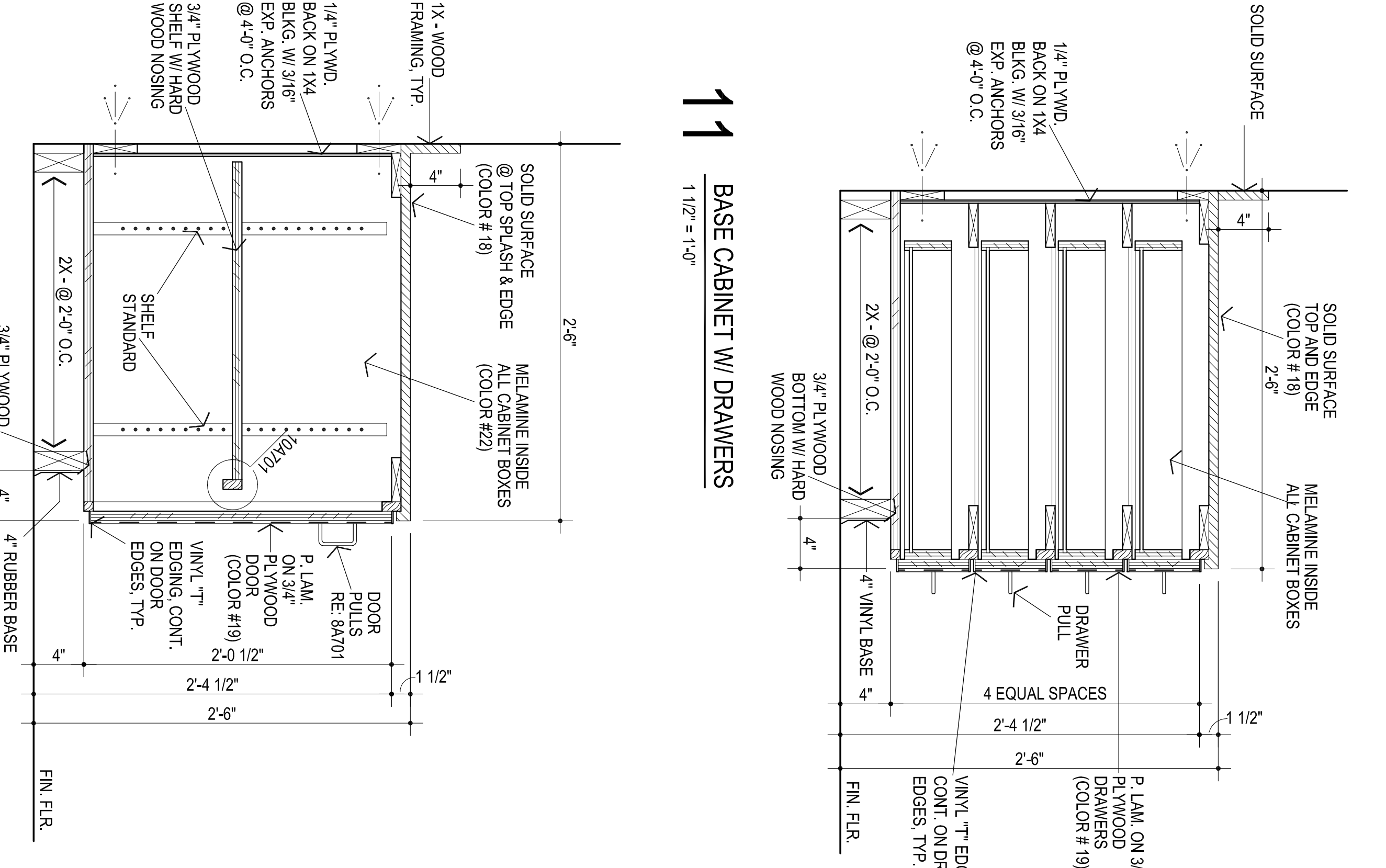
1 TEACHERS CABINET
1 1/2" = 1'-0"



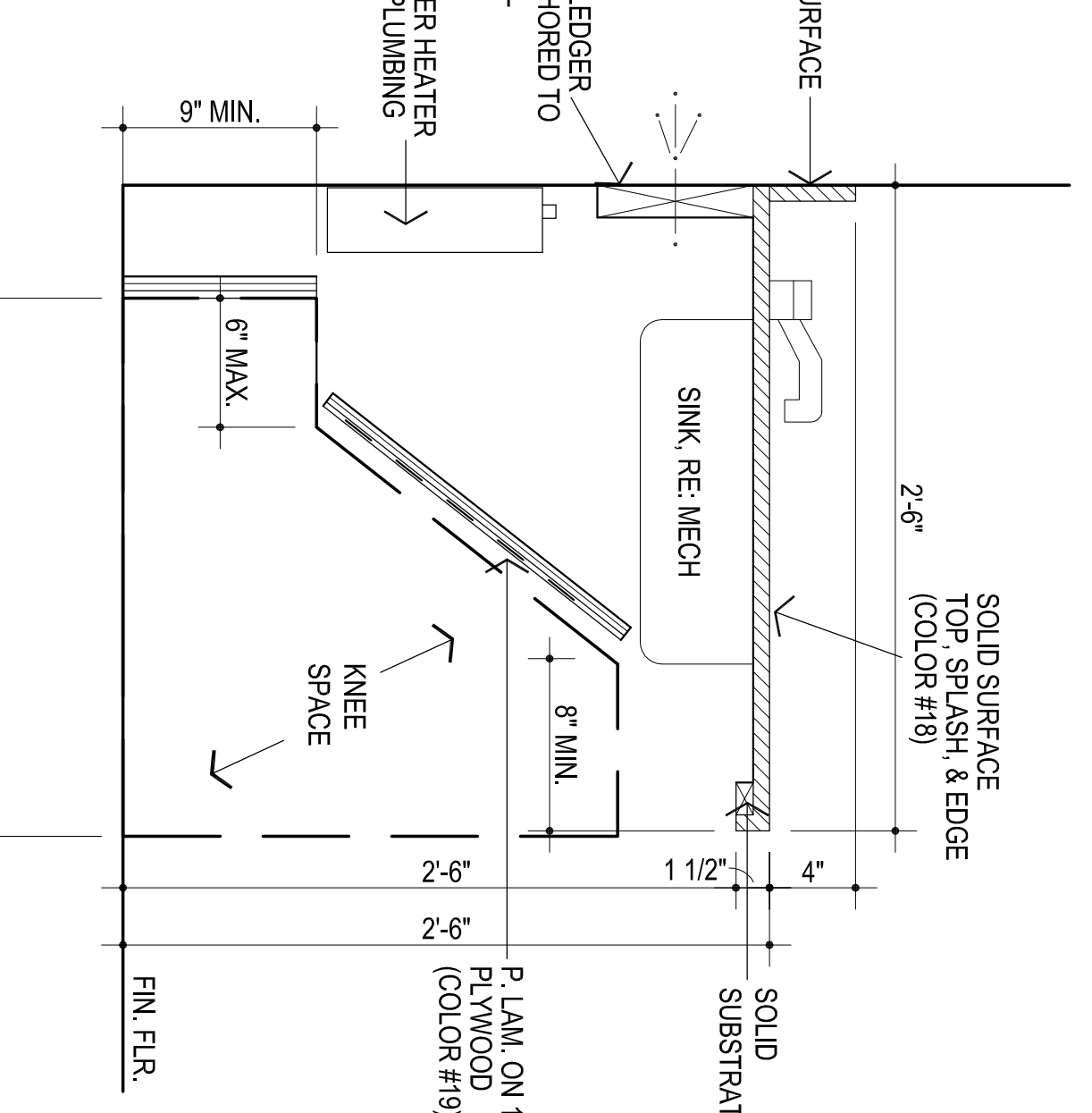
2 TALL CABINET
1 1/2" = 1'-0"



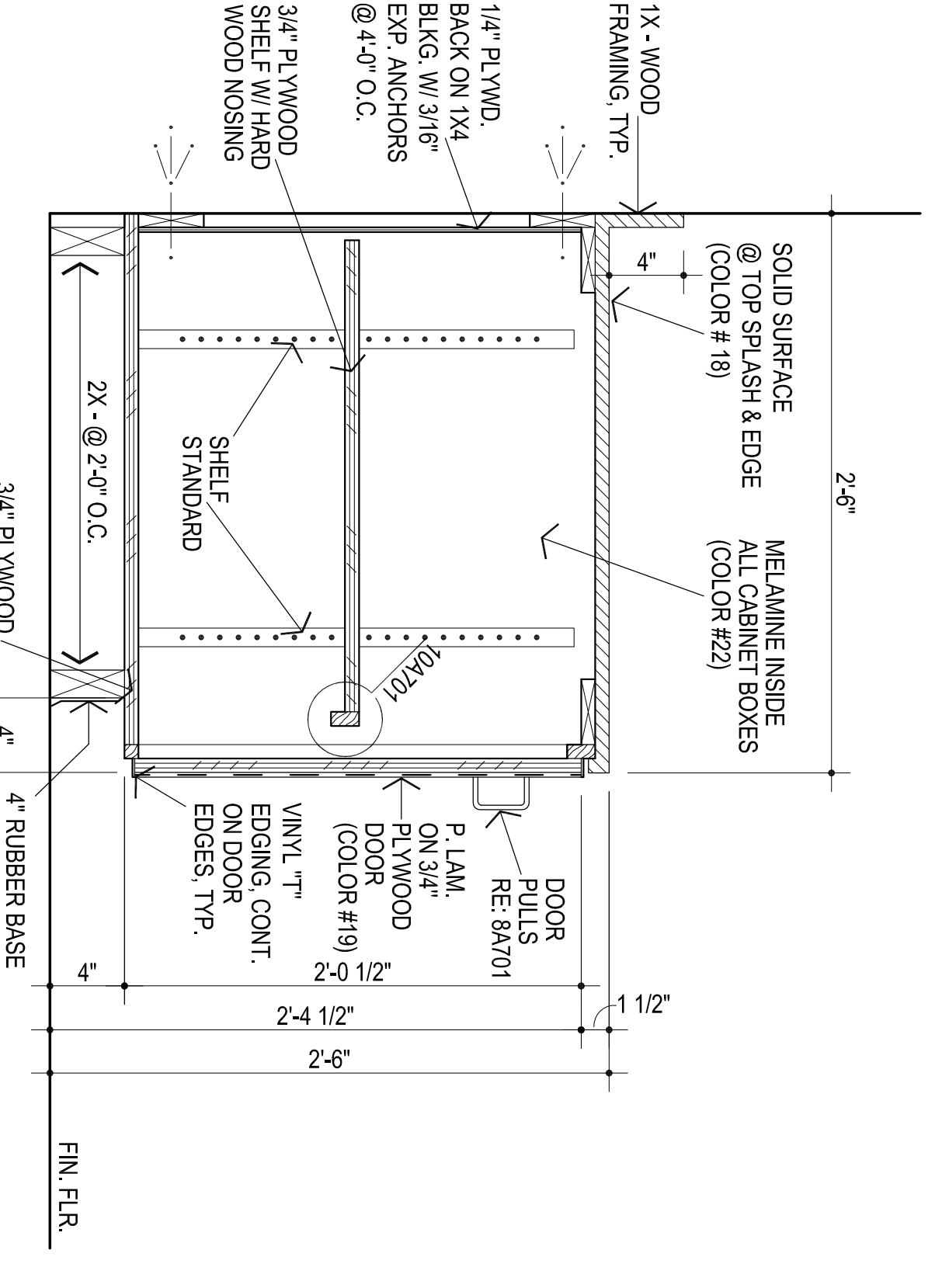
3 BASE CABINET
1 1/2" = 1'-0"



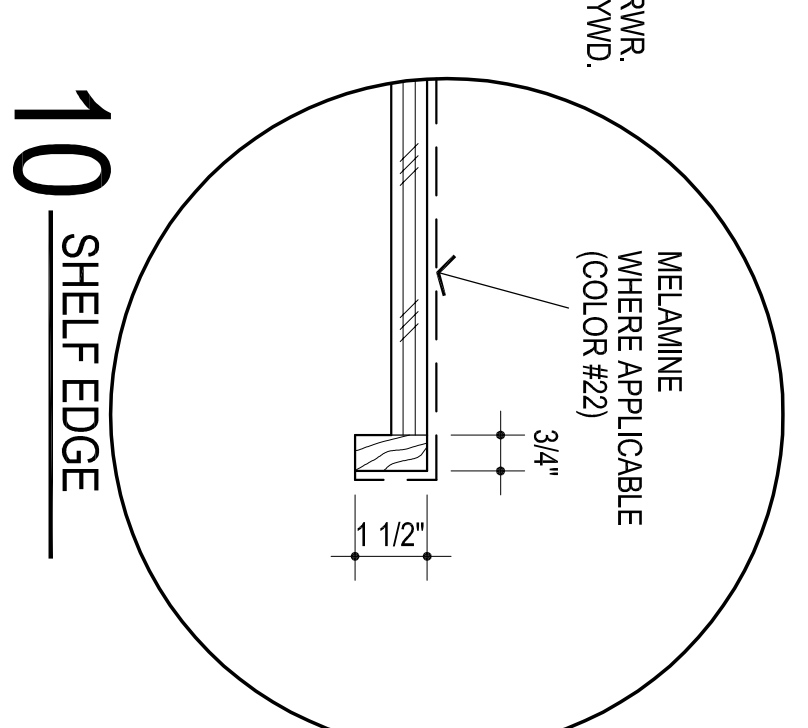
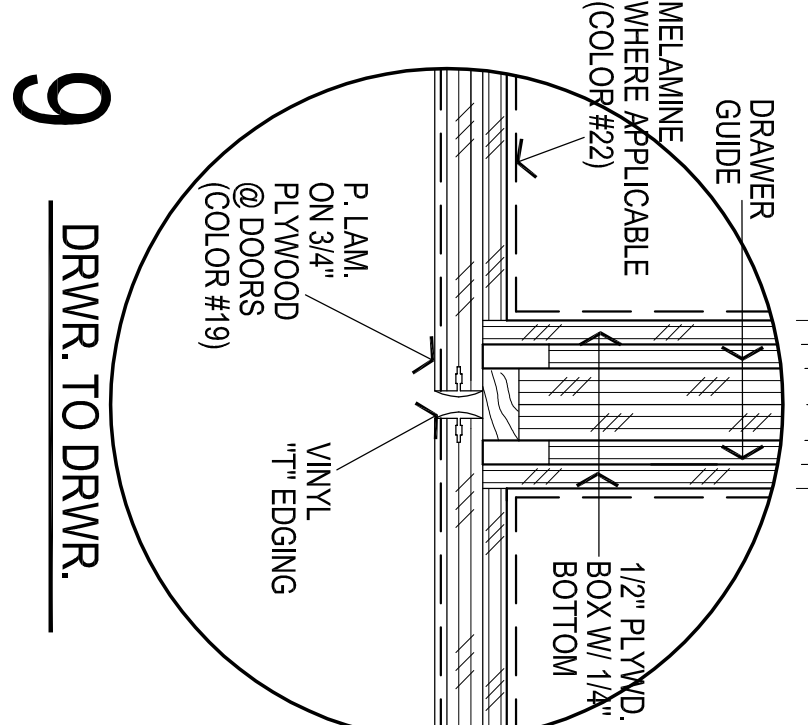
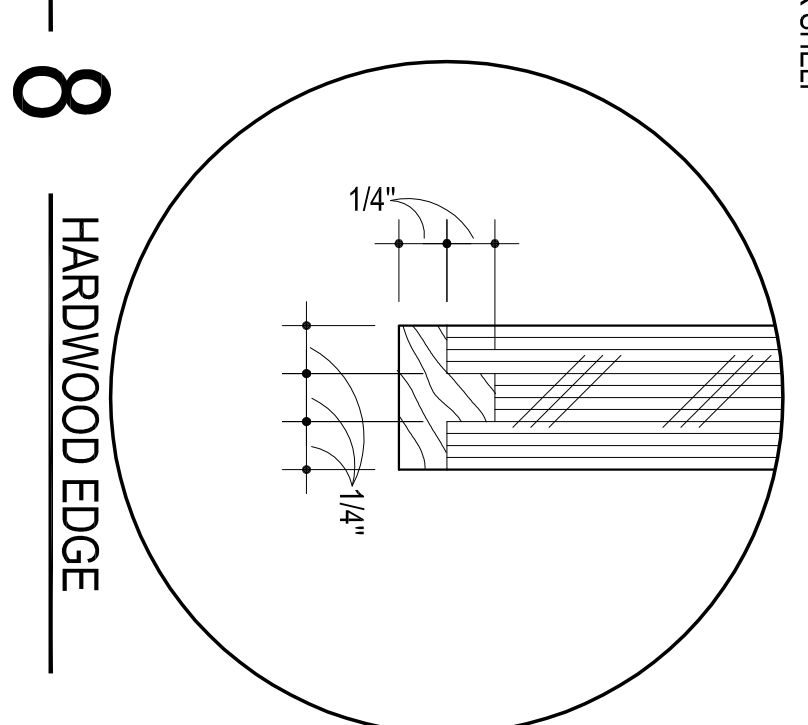
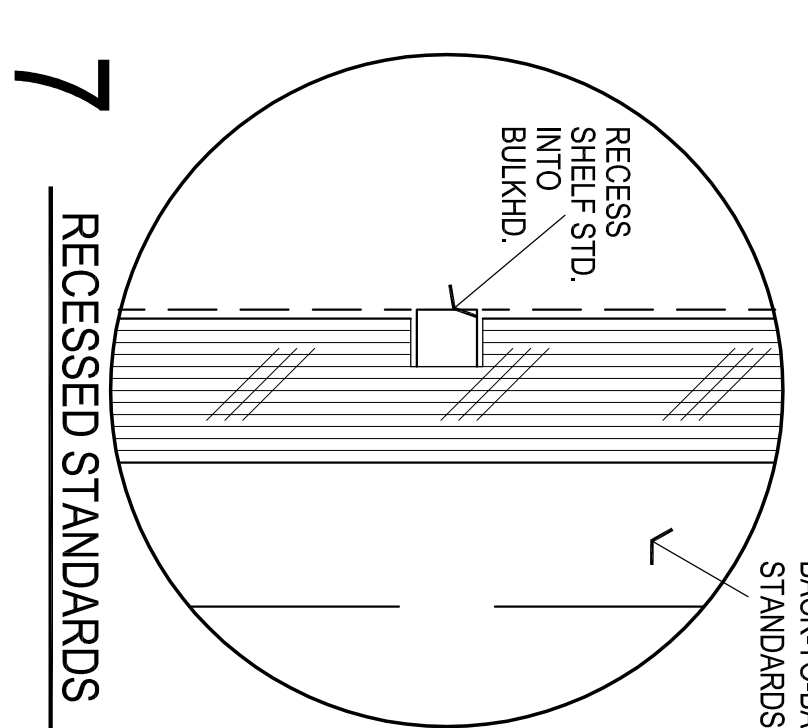
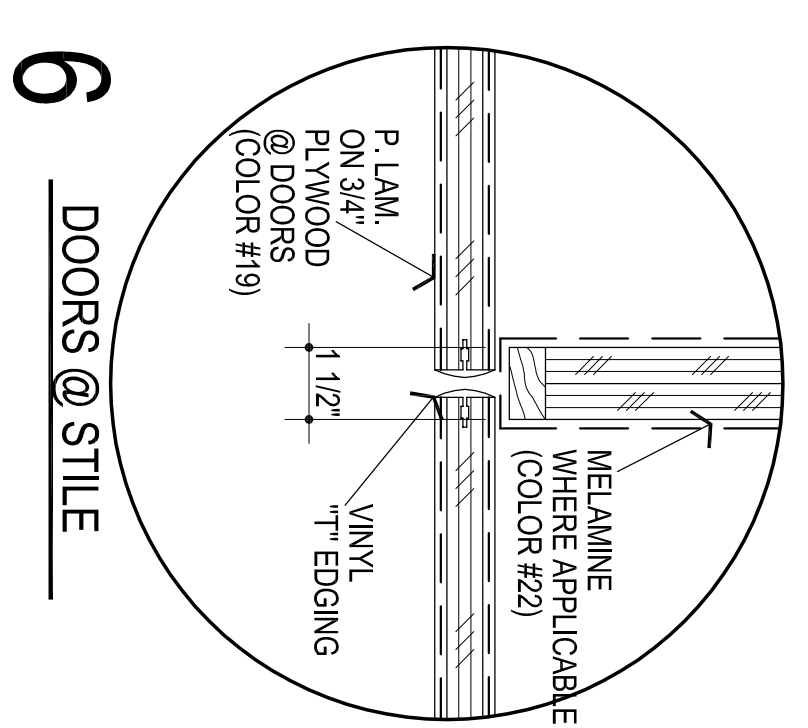
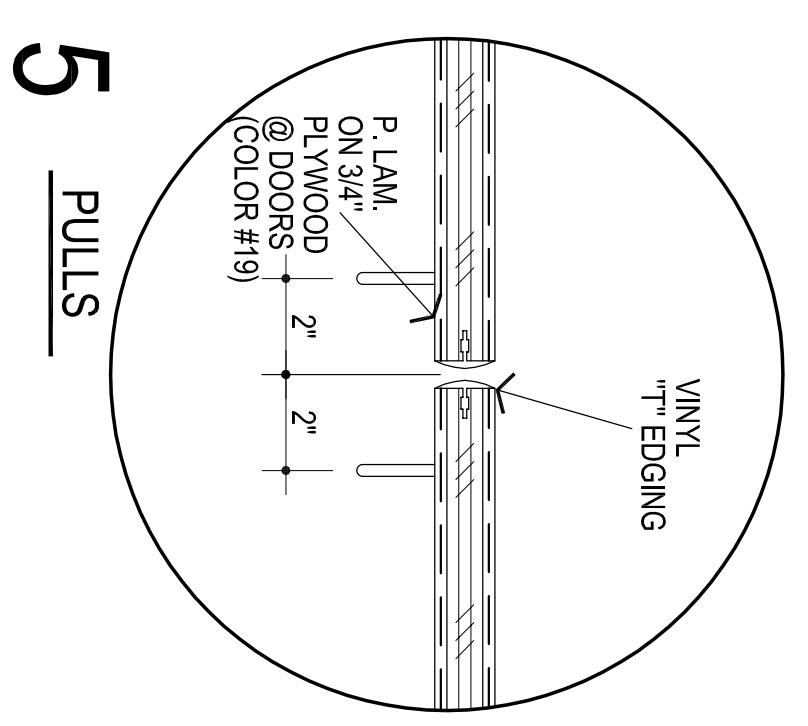
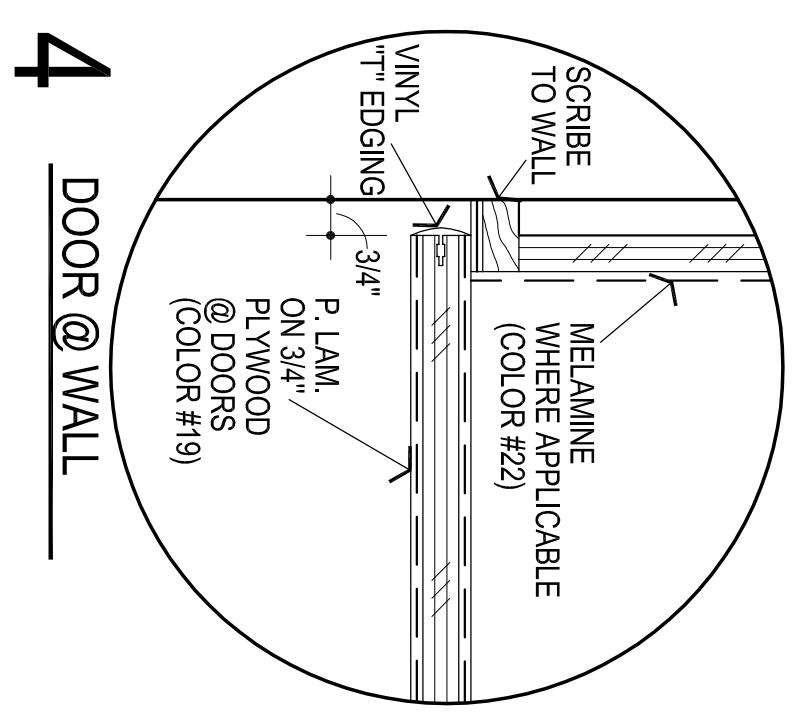
11 BASE CABINET W/ DRAWERS
1 1/2" = 1'-0"



12 SINK SECTION
1 1/2" = 1'-0"



13 BASE CABINET W/ DOORS
1 1/2" = 1'-0"



NEW 2022 CLASSROOM
ADDITION -
SOUTH LAKE
ELEMENTARY SCHOOL

MOORE PUBLIC SCHOOLS
BOARD OF EDUCATION
MOORE, OKLAHOMA

MOORE Public Schools
TRAINING FOR LIFE

CS
drawn by
MA
checked by
APRIL 2022
date

revisions

OWNERSHIP USE OF DOCUMENTS:
AGP EXPRESSLY RESERVES ITS
COPYRIGHT AND OTHER PROPERTY
RIGHTS OF ALL PLANS AND DRAWINGS
AND DRAWINGS ARE NOT TO BE
REPRODUCED IN ANY FORM OR MANNER
WITHOUT THE EXPRESS WRITTEN
CONSENT OF AGP.

SHED NO:
A701

AGP
the Abila Griffin
Partnership L.L.C.

201 N. BROADWAY
SUITE 210
MOORE, OK. 73160
405.735.3477
AGP@theAGP.net
www.theAGP.net

KFC ENGINEERING
STRUCTURAL
SALAS O'BRIEN
MECHANICAL/ELECTRICAL

STATE OF OKLAHOMA
MICHAEL L. HILL
2639
4/25/22