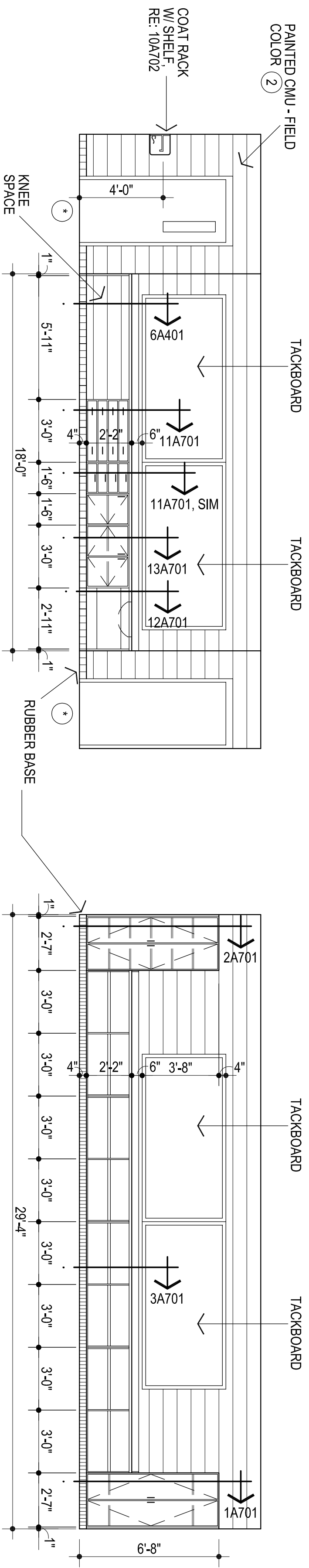


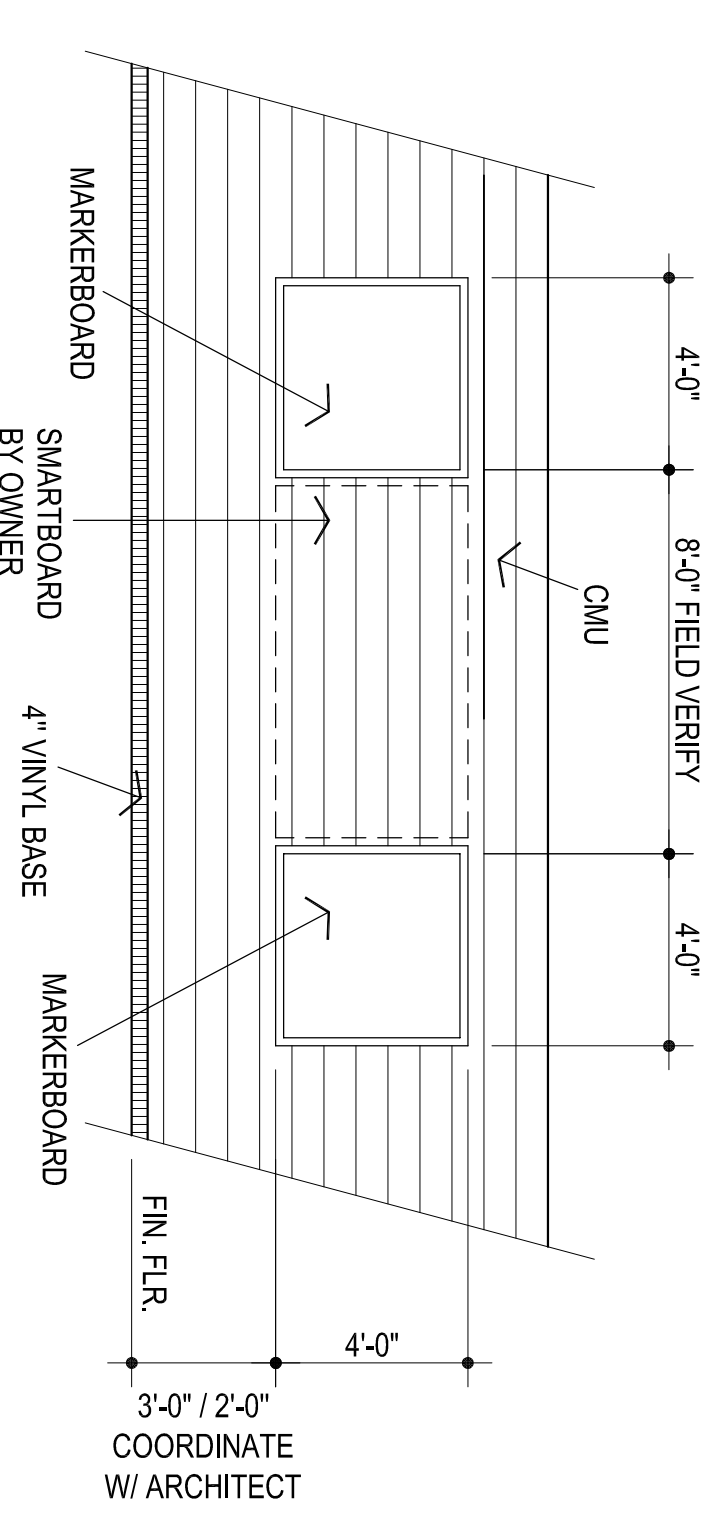
NOTE: CONTRACTOR TO VERIFY THAT  
THE MOUNTING HEIGHTS OF ALL WALL  
MOUNTED FIXTURES (I.E. PLUMBING FIXTURES,  
GRAB BARS, MIRRORS, ETC.) MEET  
ALL APPLICABLE CODES & STANDARDS  
PRIOR TO INSTALLATION.



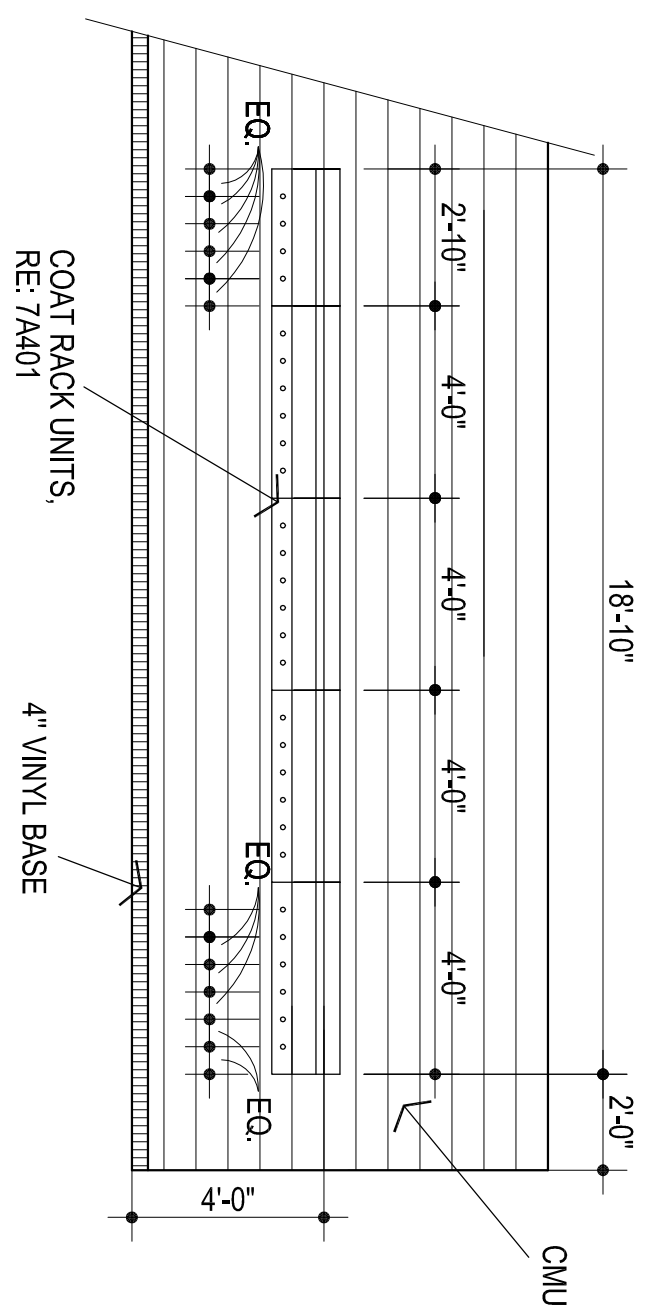
3 ELEVATION @ TYP. CLASSROOM  
1/4" = 1'-0"

2 ELEVATION @ TYP. CLASSROOM

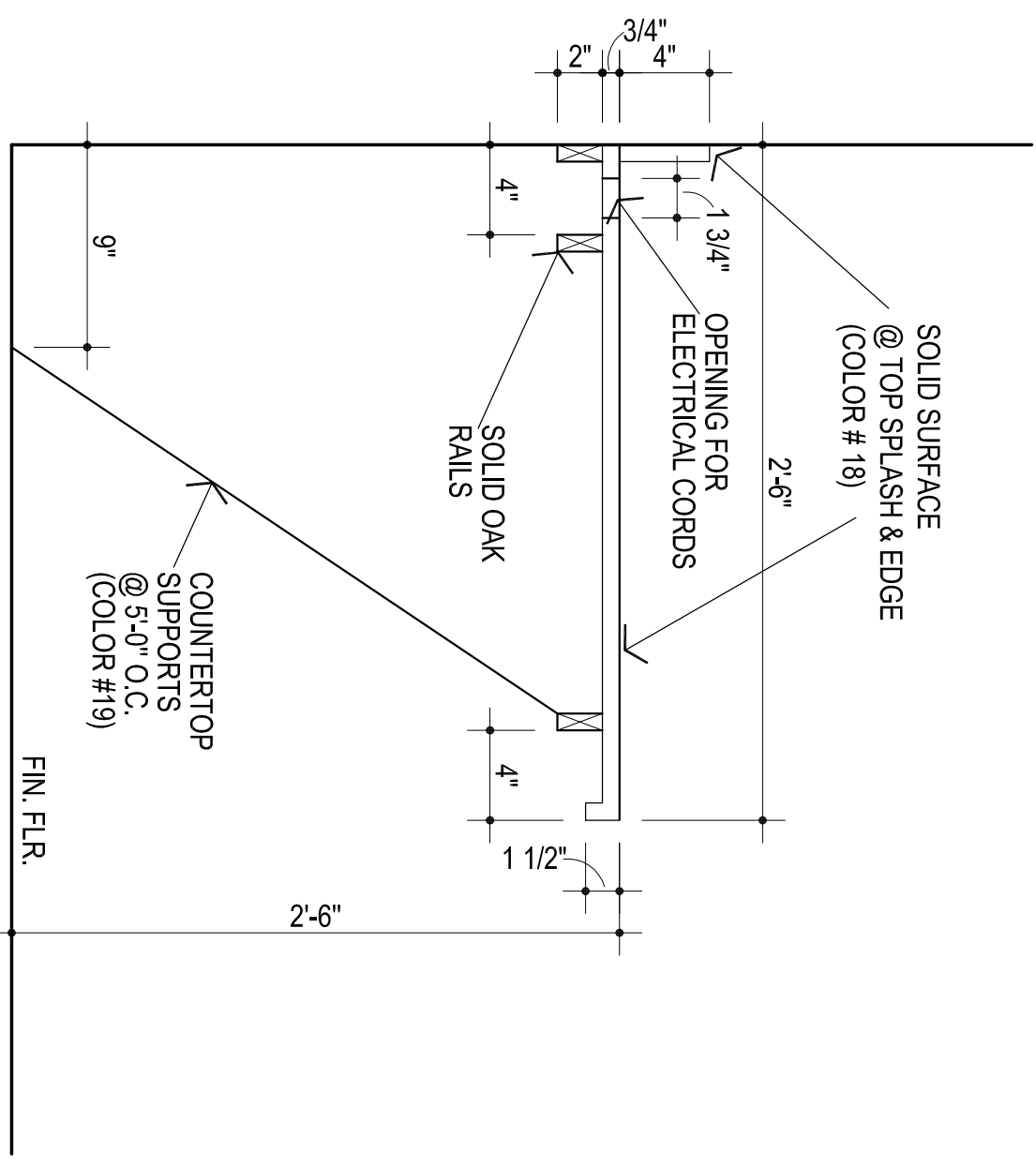
1 TYPICAL MOUNTING HEIGHTS  
1/4" = 1'-0"



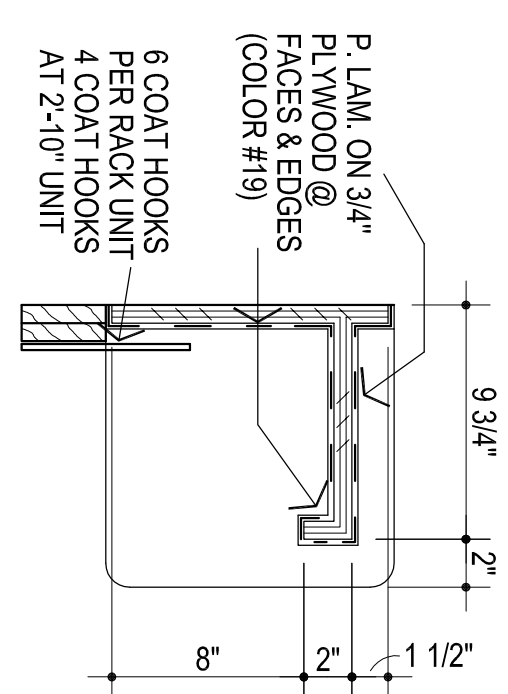
4 ELEV. @ TYP. CLASSROOM  
CHALK BOARD  
1/4" = 1'-0"



5 ELEV. @ TYP. CLASSROOM  
COAT RACK  
1/4" = 1'-0"



6 COMPUTER TABLE SECTION @ WALL  
1 1/2" = 1'-0"



7 COAT RACK DTL.  
1 1/2" = 1'-0"