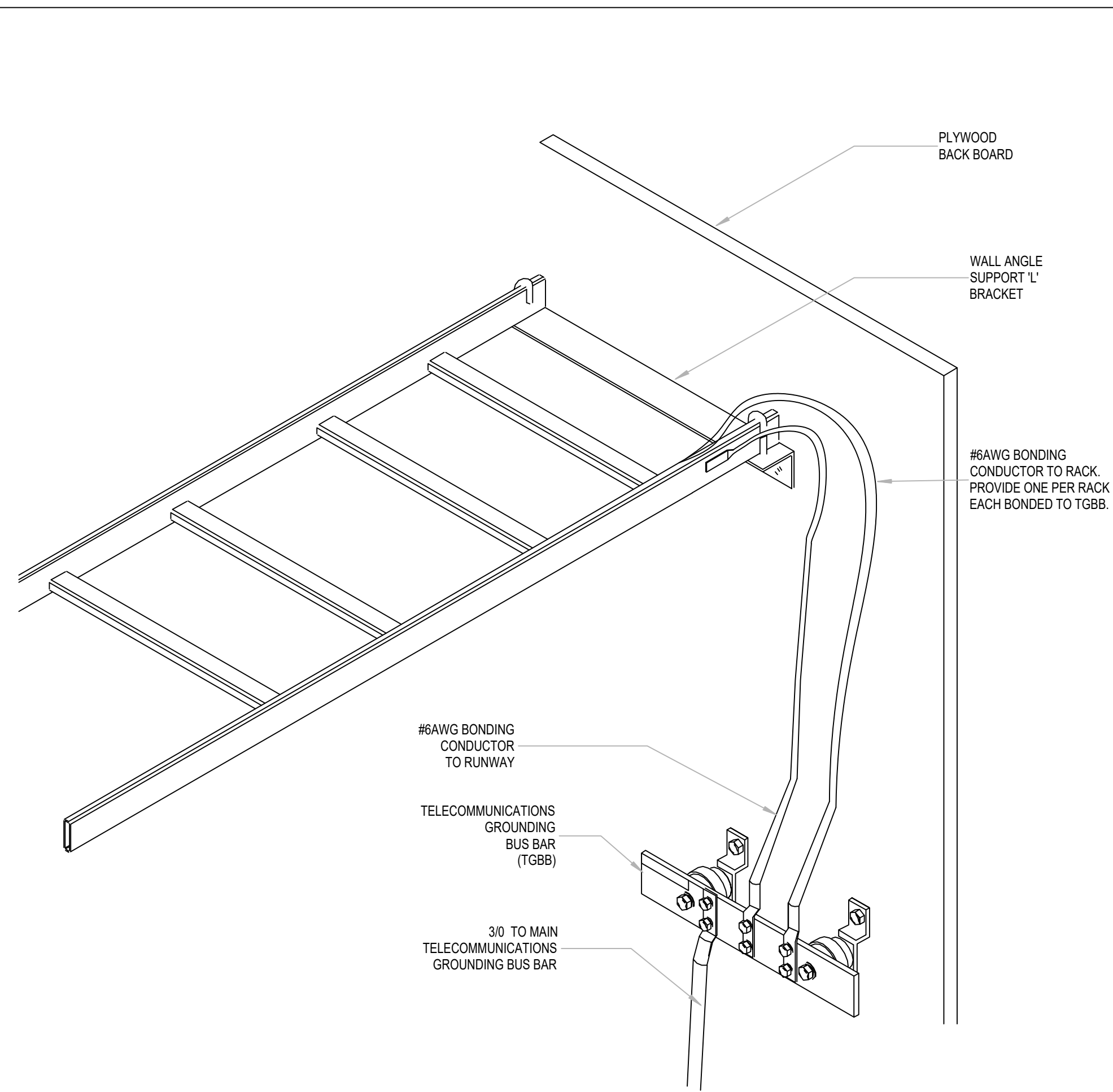
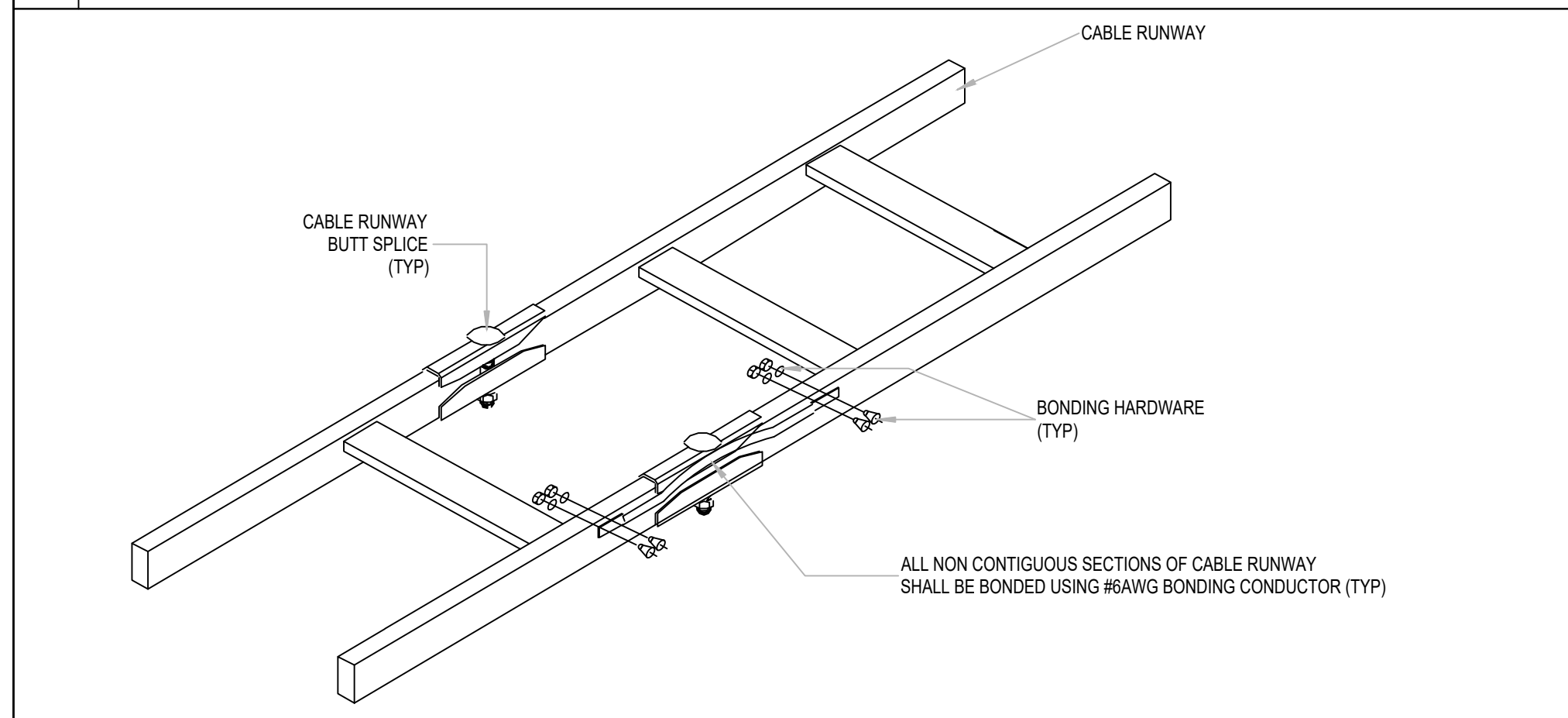


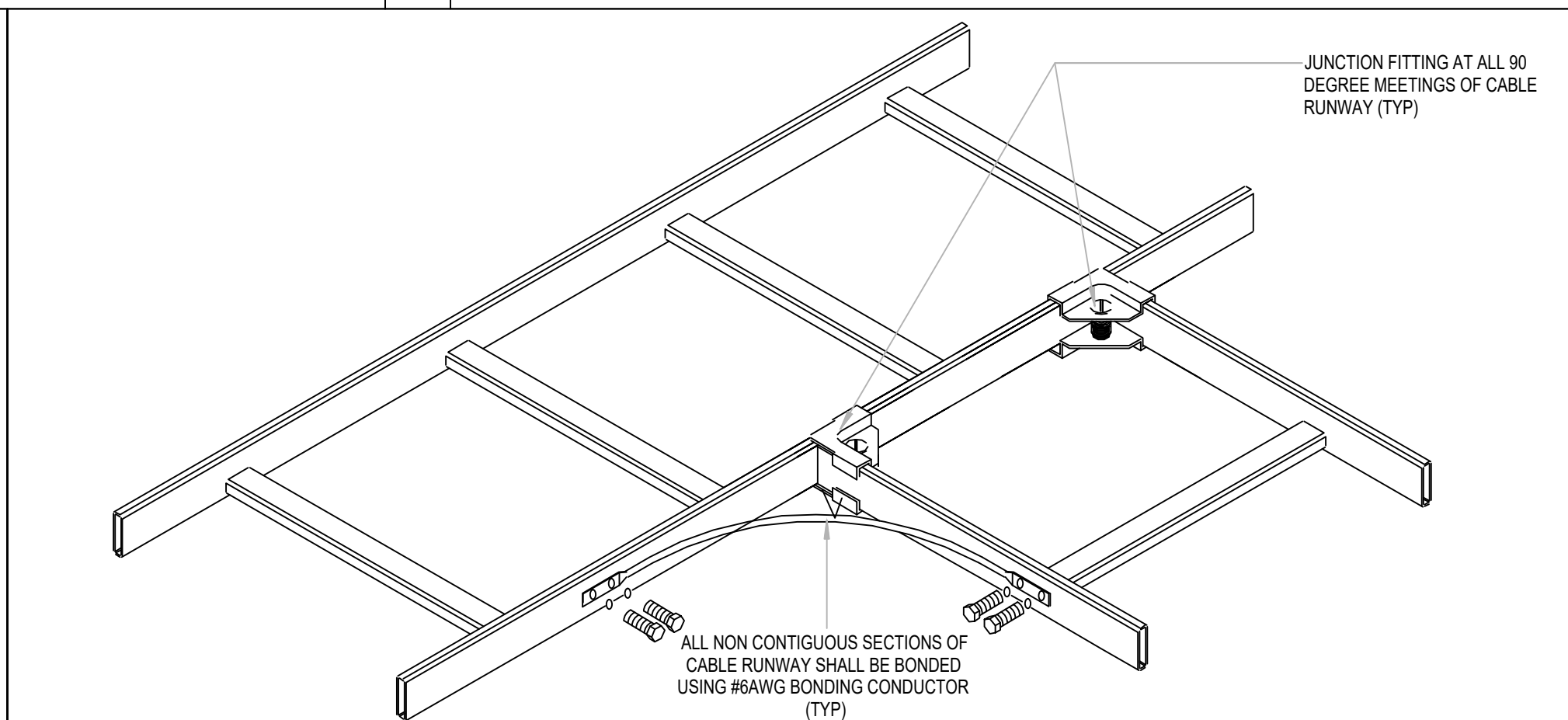
01 FIBER ENCLOSURE/ COPPER PATCH PANEL LABELING DETAIL NOT TO SCALE



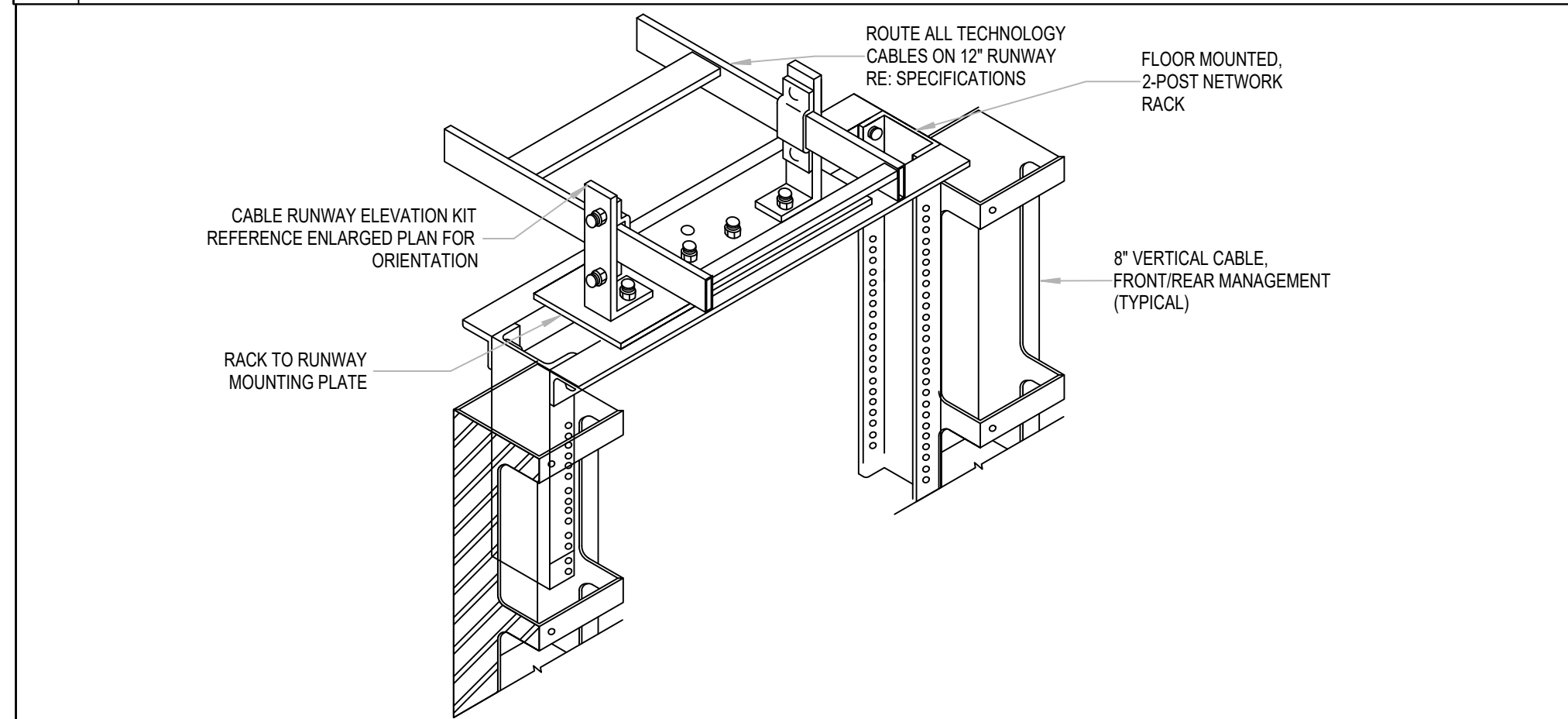
02 CABLE RUNWAY - GROUNDING AND BONDING NOT TO SCALE



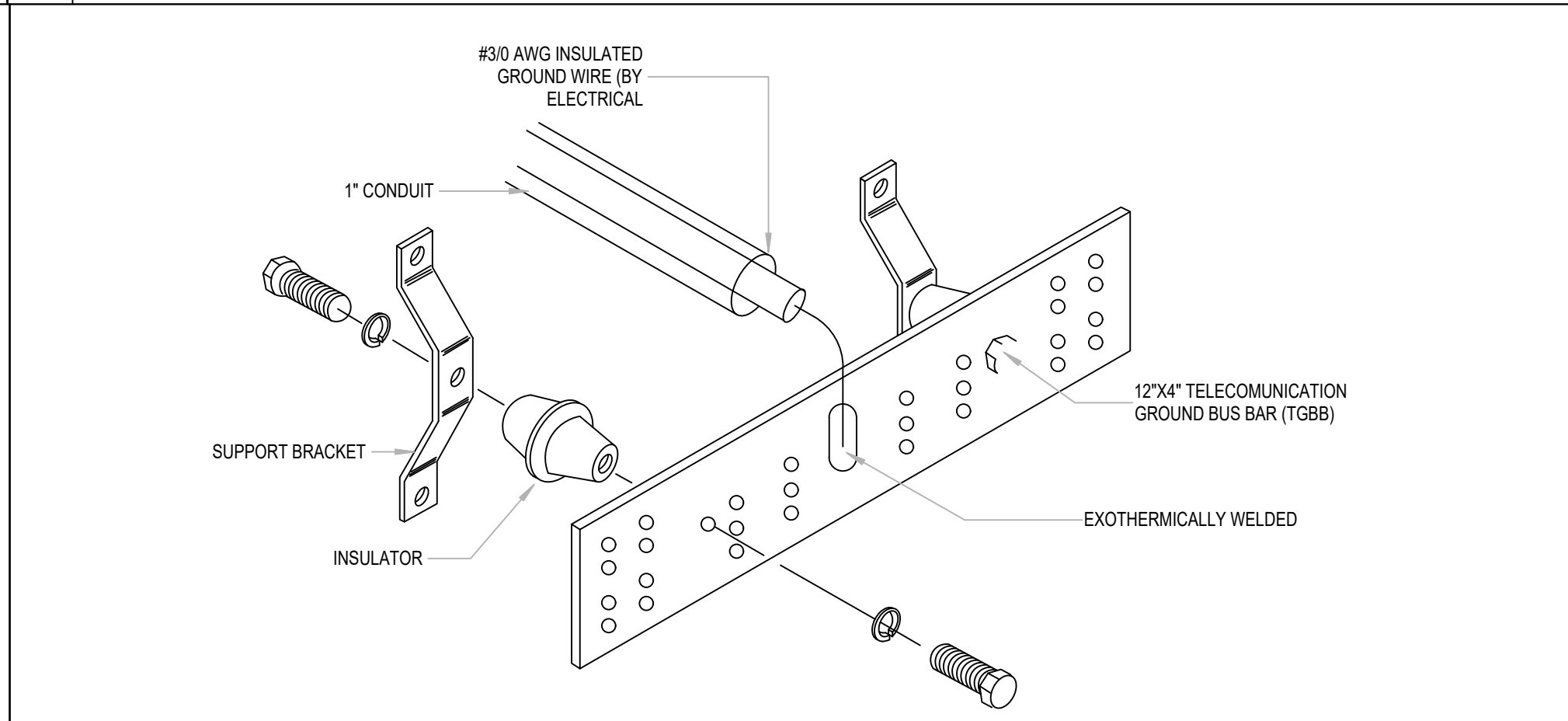
03 CABLE RUNWAY - BONDING AND BUTT SPLICE NOT TO SCALE



04 CABLE RUNWAY - JUNCTION AND BONDING NOT TO SCALE



05 RACK TO RUNWAY DETAIL NOT TO SCALE



06 TELECOMMUNICATION GROUNDING BUS DETAIL NOT TO SCALE

NY
drawn by
NY
checked by
APRIL 2023
date
revisions

MOORE PUBLIC SCHOOLS
BOARD OF EDUCATION
MOORE, OKLAHOMA



OFFICE
ADDITION -
SOUTHGATE
ELEMENTARY SCHOOL

sheet no:

T402

OWNERSHIP USE OF DOCUMENTS:
AGP EXPRESSLY RESERVES ITS COPYRIGHT AND OTHER PROPERTY RIGHTS OF ALL PLANS AND DRAWINGS DESIGNED AND/OR PRODUCED, PLANS AND DRAWINGS ARE NOT TO BE REPRODUCED IN ANY FORM OR MANNER WITHOUT THE EXPRESSED WRITTEN CONSENT OF AGP.

Salas O'Brien
2600 Van Buren St., Suite 2635
Norman, OK 73072
Salas O'Brien Registration: CA# 7058
Expiration Date: 6/30/2023
Salas O'Brien Project Number: 2023-01140-00