

CJC

drawn by

BWB

checked by

MARCH 2023

date

revisions

MOORE PUBLIC SCHOOLS  
BOARD OF EDUCATION  
MOORE, OKLAHOMA



MOORE Public Schools  
LEARNING FOR LIFE

OFFICE  
ADDITION -  
SOUTHGATE  
ELEMENTARY SCHOOL

sheet no:

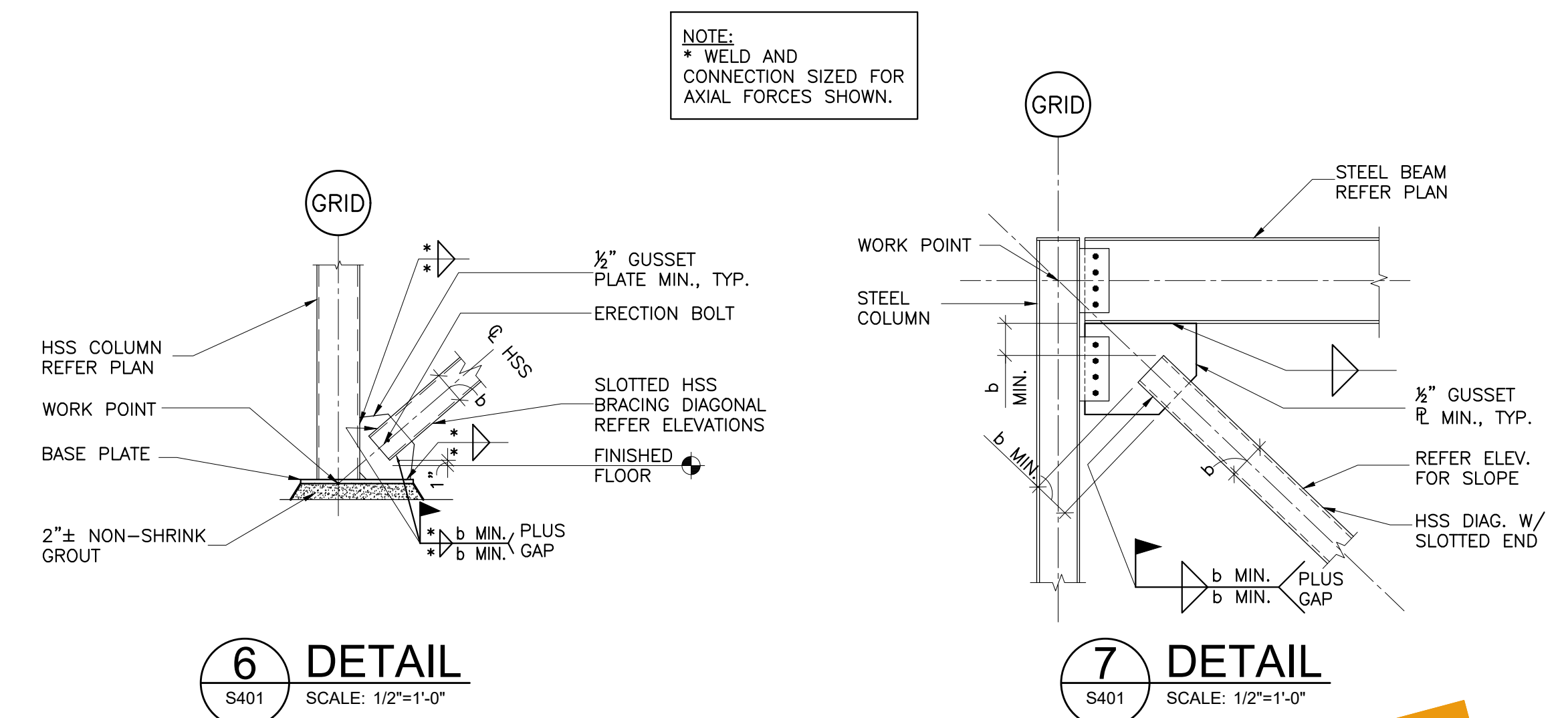
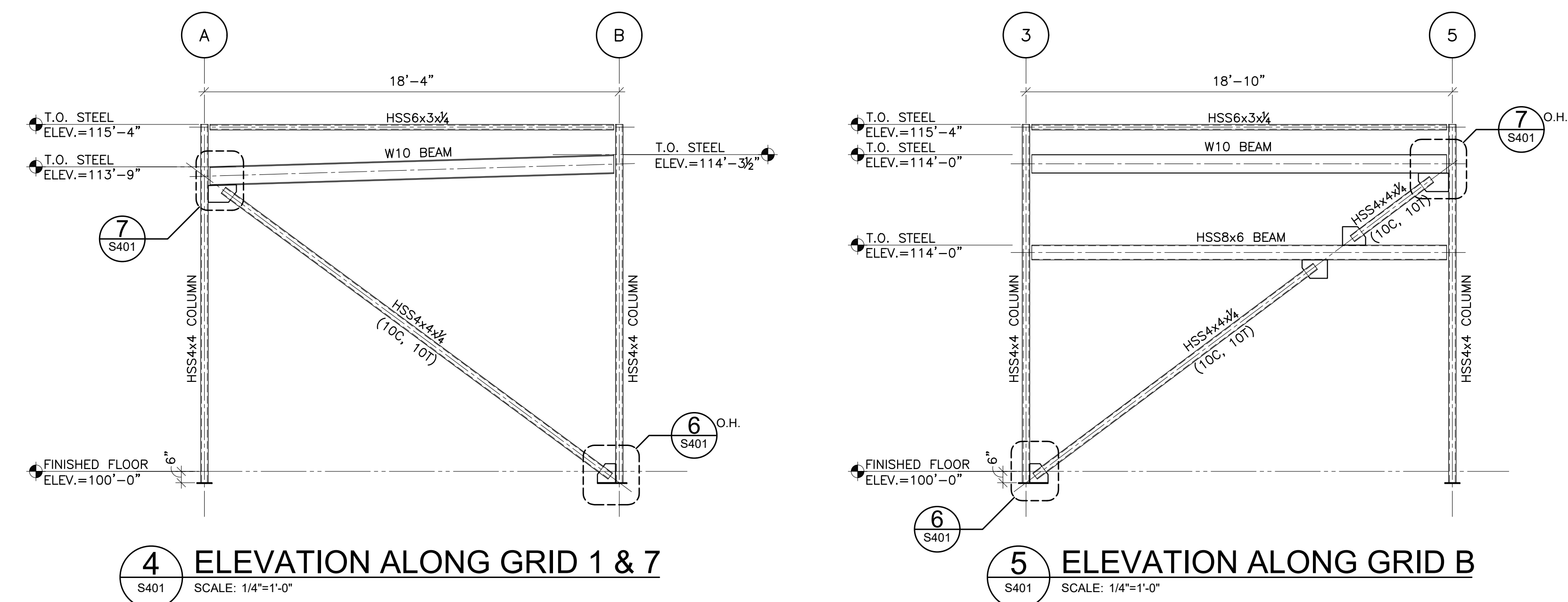
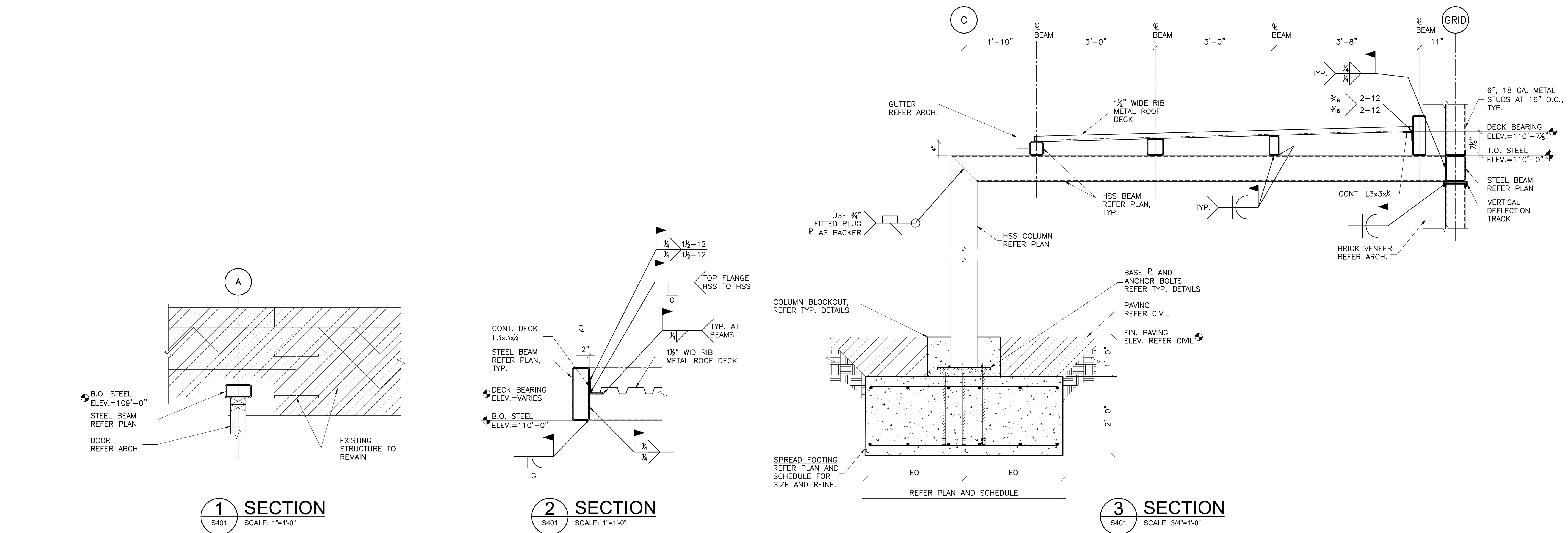
## S401

OWNERSHIP USE OF DOCUMENTS:

AGP EXPRESSLY RESERVES ITS  
COPYRIGHT AND OTHER PROPERTY  
RIGHTS OF ALL PLANS AND DRAWINGS  
DESIGNED AND/OR PRODUCED. PLANS  
AND DRAWINGS ARE NOT TO BE  
REPRODUCED IN ANY FORM OR MANNER  
WITHOUT THE EXPRESSED WRITTEN  
CONSENT OF AGP.



Kirkpatrick Forest Curtis PC  
Structural Engineering  
OK CA #3888, EXP. 06/30/25  
525 Central Park Drive, Suite 202  
Oklahoma City, OK 73105  
405.528.4596 | kfcenr.com



sheet no:

## S401

OWNERSHIP USE OF DOCUMENTS:

AGP EXPRESSLY RESERVES ITS  
COPYRIGHT AND OTHER PROPERTY  
RIGHTS OF ALL PLANS AND DRAWINGS  
DESIGNED AND/OR PRODUCED. PLANS  
AND DRAWINGS ARE NOT TO BE  
REPRODUCED IN ANY FORM OR MANNER  
WITHOUT THE EXPRESSED WRITTEN  
CONSENT OF AGP.



Kirkpatrick Forest Curtis PC  
Structural Engineering  
OK CA #3888, EXP. 06/30/25  
525 Central Park Drive, Suite 202  
Oklahoma City, OK 73105  
405.528.4596 | kfcenr.com