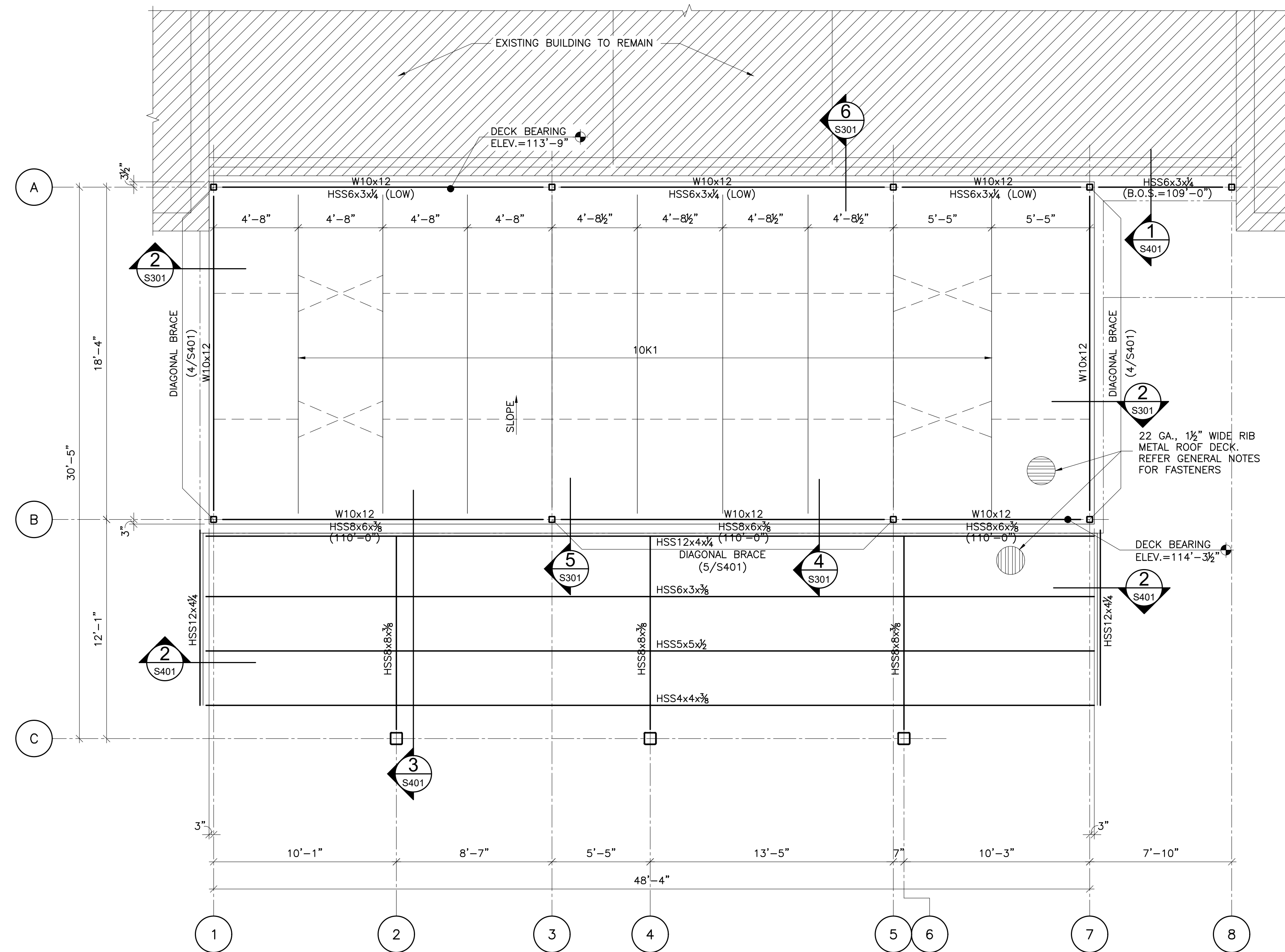
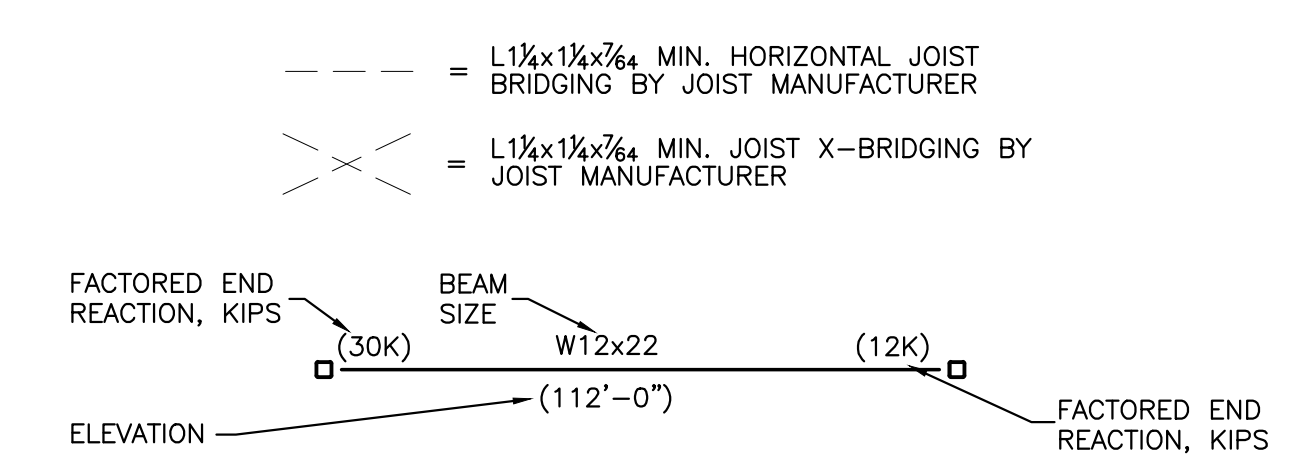




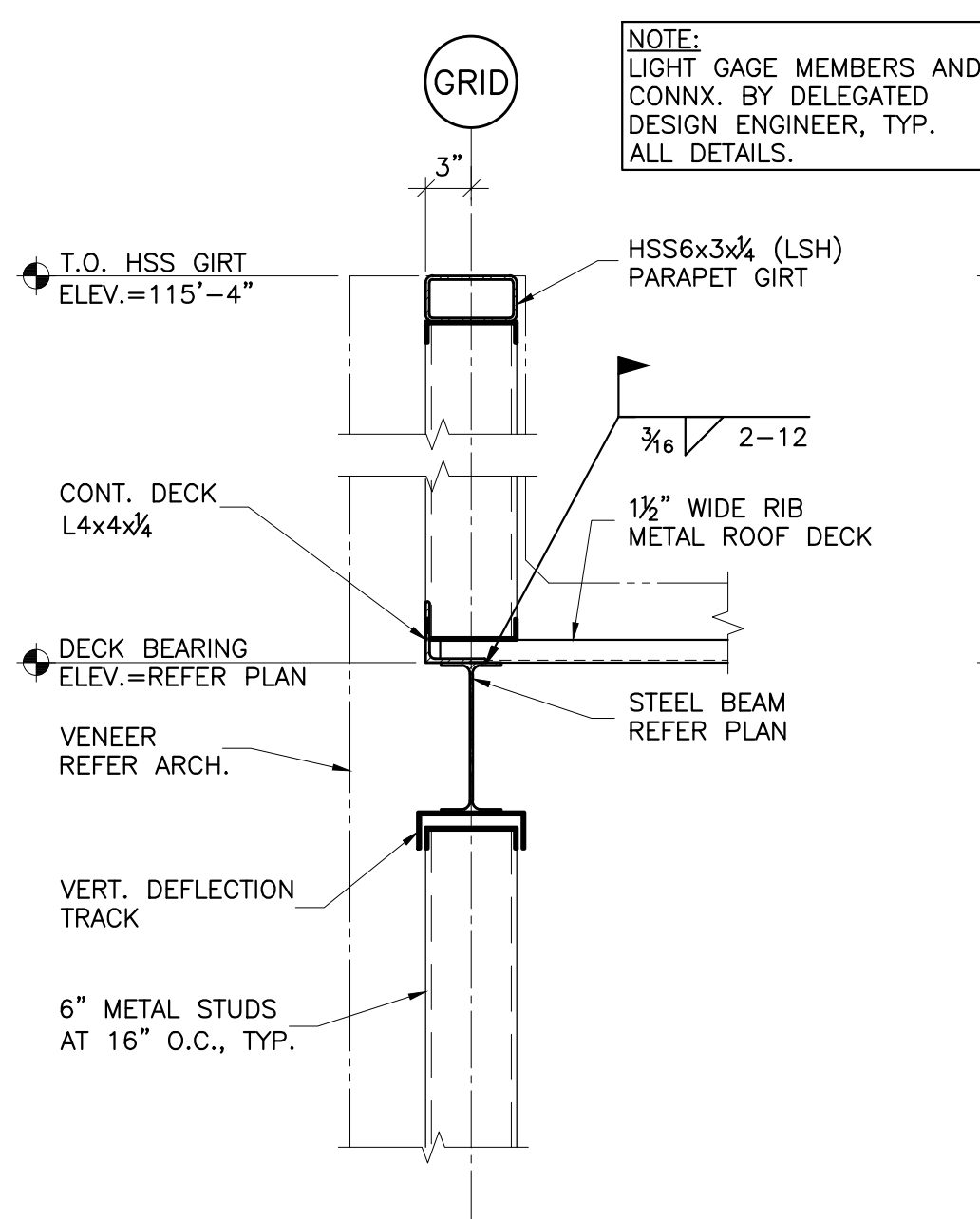
**ROOF FRAMING NOTES:**

1. REFER TO GENERAL NOTES FOR INFORMATION REGARDING STEEL BEAMS, STEEL JOISTS AND METAL DECKING.
2. ALL TOP OF STEEL JOIST OR DECK NOTATIONS ARE WITH REFERENCE TO THE FINISH FLOOR ELEVATIONS SPECIFIED ON THE FOUNDATION PLAN, U.N.O.
3. THE ROOF DECK SHALL CONSIST OF A MODIFIED BIT ROOF OVER 1 1/2" 22 GA., GALV. WIDE RIB DECKING. REFER TO METAL DECK NOTES FOR ATTACHMENT.
4. REFER TYPICAL JOIST AND STEEL DETAILS FOR ADDITIONAL INFORMATION.

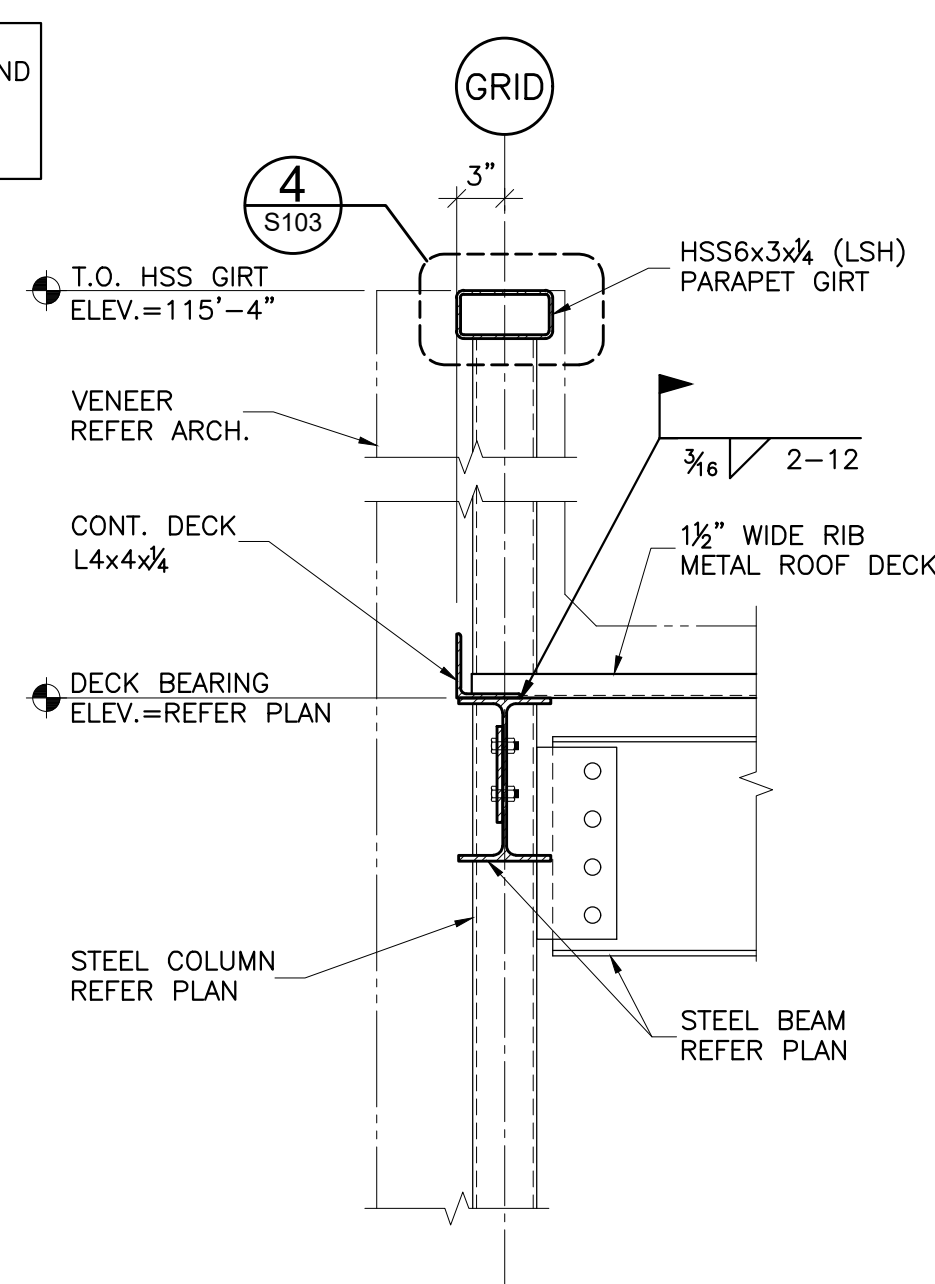
**FRAMING PLAN LEGEND:**



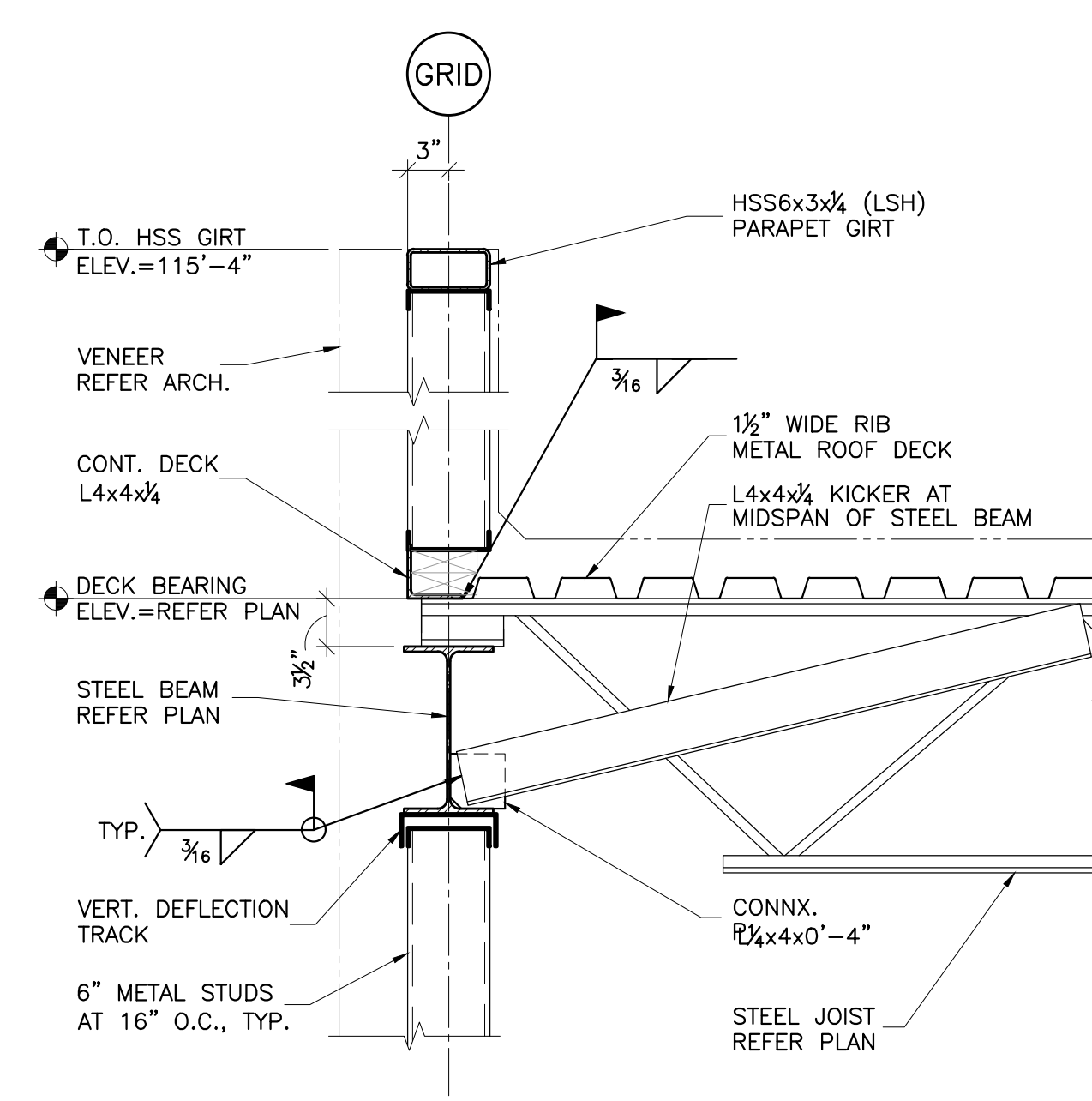
**1 ROOF FRAMING PLAN**  
SCALE: 1/4"=1'-0"



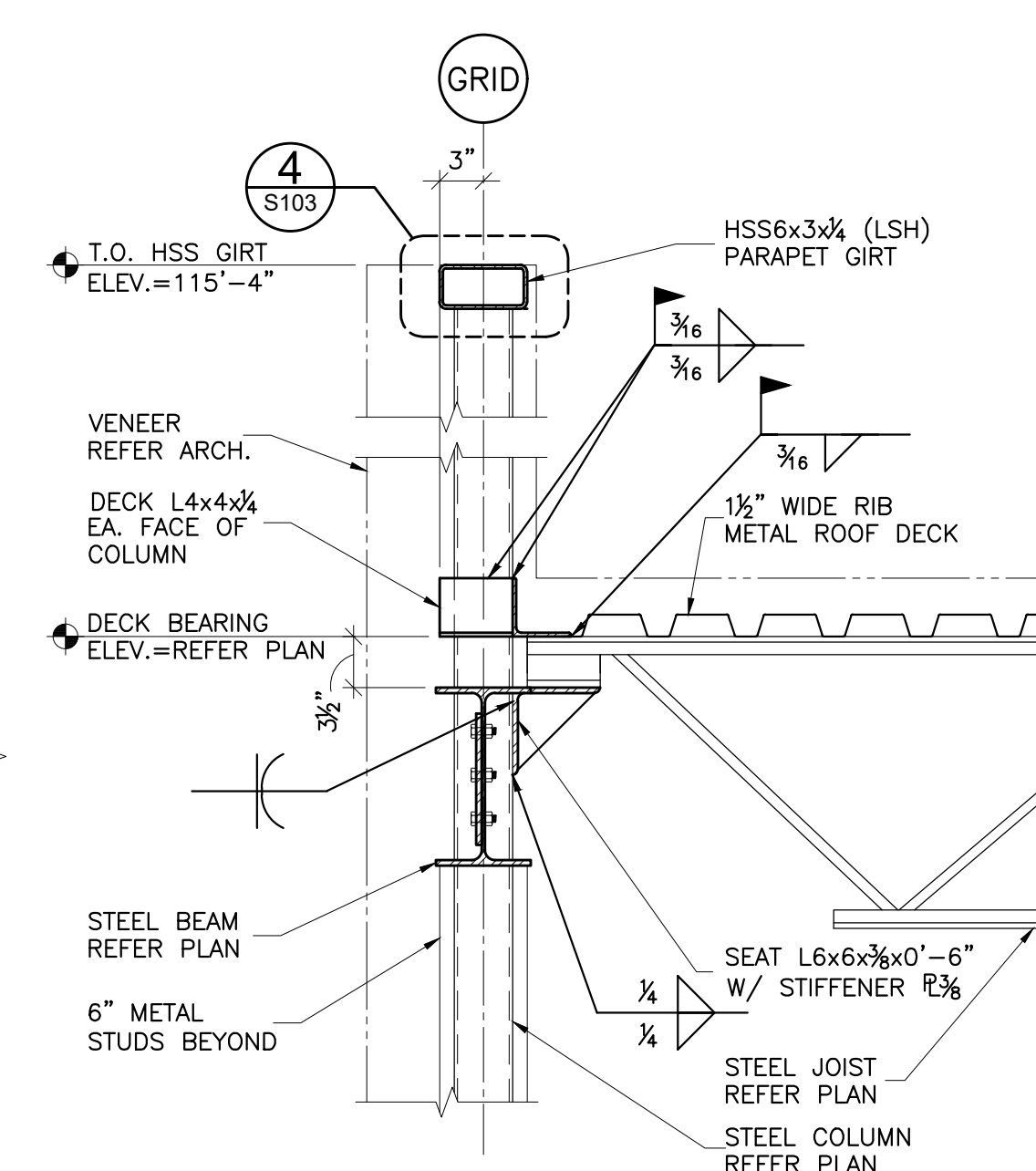
**2 SECTION**  
S301 SCALE: 1"=1'-0"



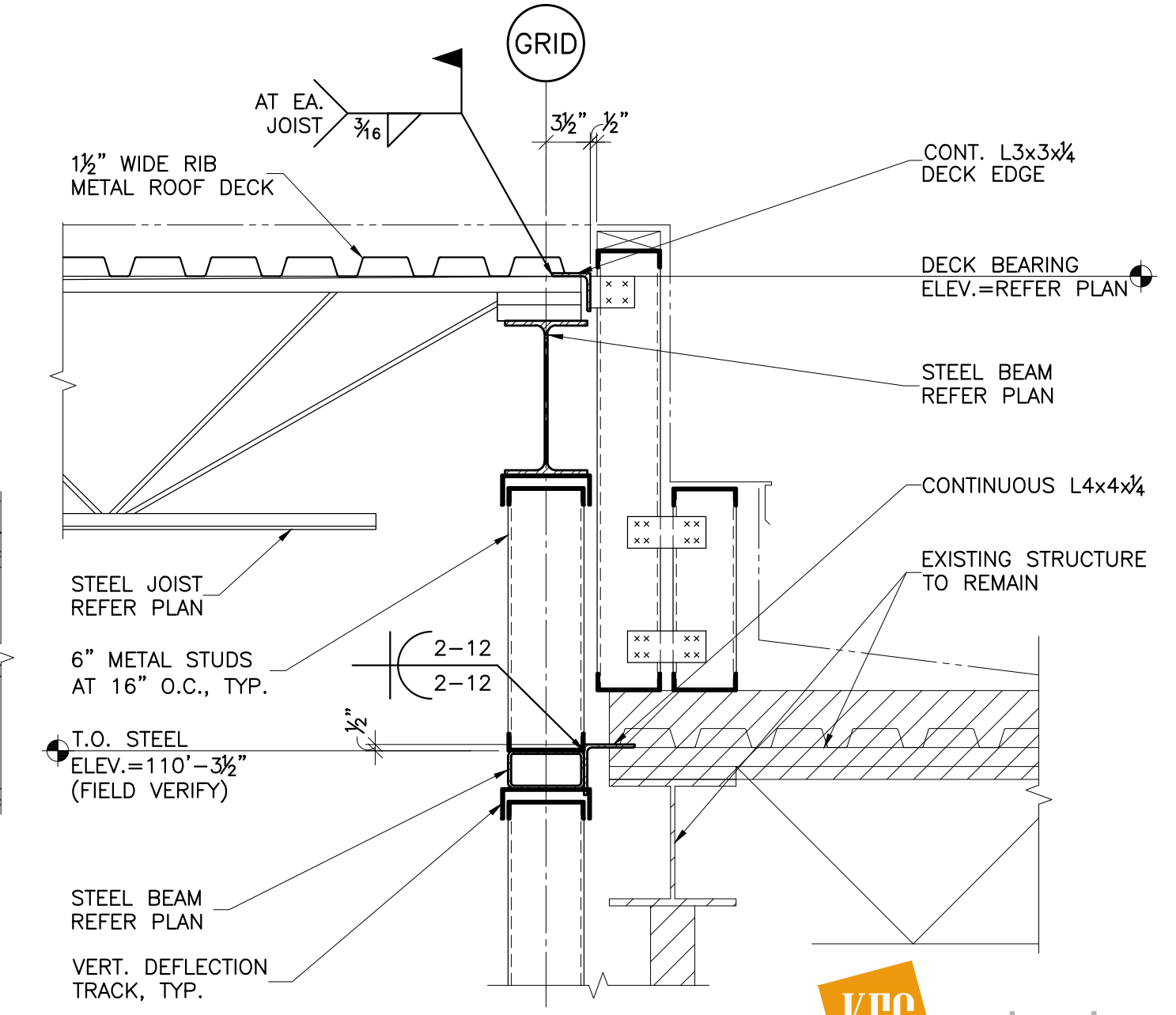
**3 SECTION**  
S301 SCALE: 1"=1'-0"



**4 SECTION**  
S301 SCALE: 1"=1'-0"



**5 SECTION**  
S301 SCALE: 1"=1'-0"



**6 SECTION**  
S301 SCALE: 1"=1'-0"