



CJC

drawn by

BWB

checked by

MARCH 2023

date

revisions

MOORE PUBLIC SCHOOLS
BOARD OF EDUCATION
MOORE, OKLAHOMA



MOORE Public Schools
LEARNING FOR LIFE

OFFICE
ADDITION -
SOUTHGATE
ELEMENTARY SCHOOL

sheet no:

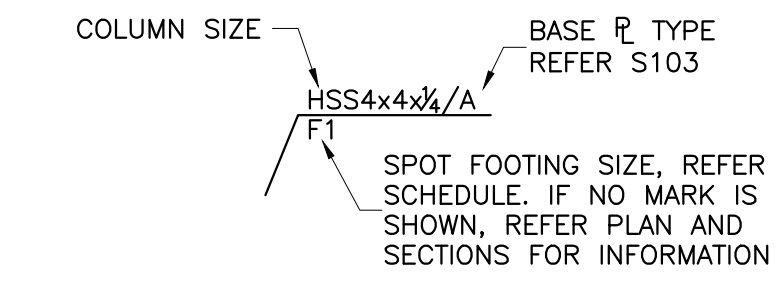
S201

OWNERSHIP USE OF DOCUMENTS:

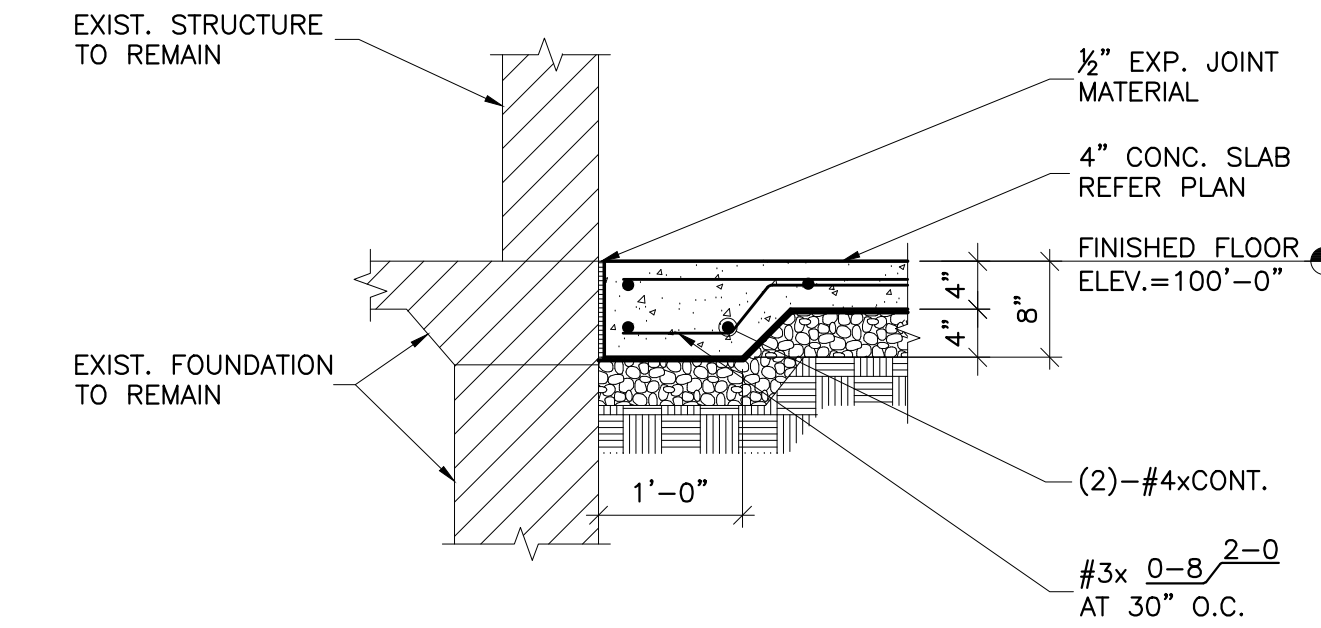
AGP EXPRESSLY RESERVES ITS
COPYRIGHT AND OTHER PROPERTY
RIGHTS OF ALL PLANS AND DRAWINGS
DESIGNED AND/OR PRODUCED. PLANS
AND DRAWINGS ARE NOT TO BE
REPRODUCED IN ANY FORM OR MANNER
WITHOUT THE EXPRESSED WRITTEN
CONSENT OF AGP.

KFC engineering
Kirkpatrick Forest Curtis PC
Structural Engineering
OK CA #3888, EXP. 06/30/25
525 Central Park Drive, Suite 202
Oklahoma City, OK 73105
405.528.4596 | kfceing.com

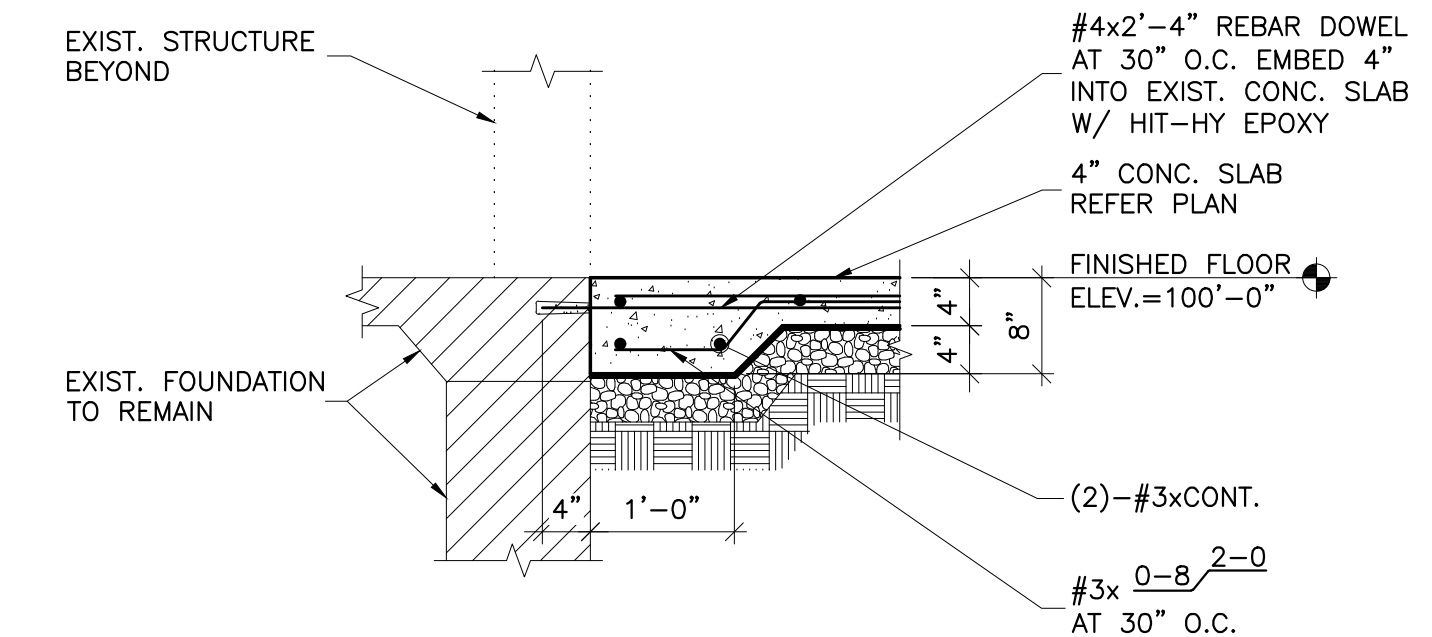
FOUNDATION PLAN LEGEND:



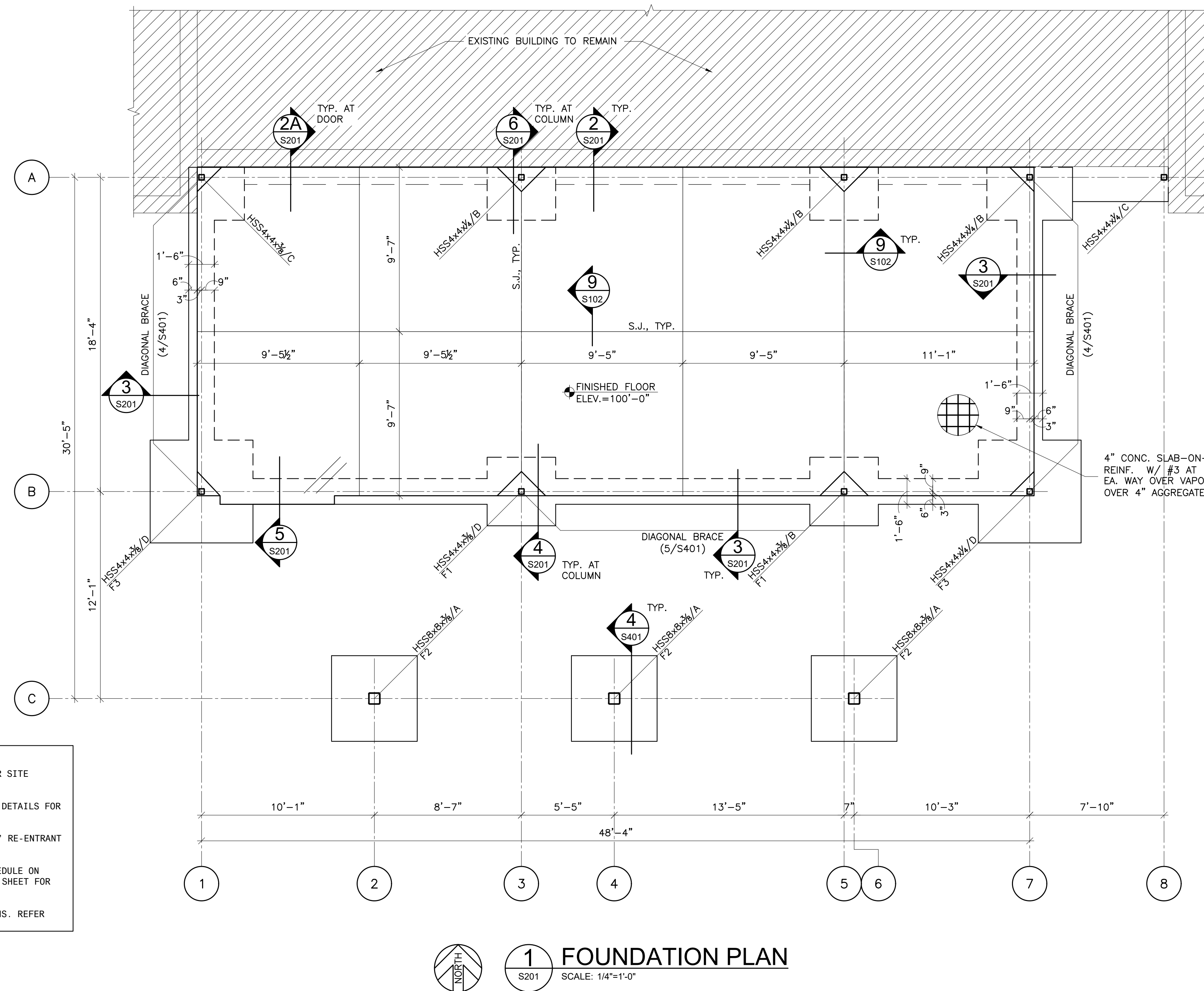
MARK	SPOT FOOTING SCHEDULE			REINFORCEMENT
	WIDTH	LENGTH	DEPTH	
F1	4'-0"	4'-0"	2'-0"	(5) -#5 TOP AND BOTTOM EA. WAY
F2	5'-0"	5'-0"	2'-0"	(6) -#5 TOP AND BOTTOM EA. WAY
F3	6'-0"	6'-0"	2'-0"	(7) -#5 TOP AND BOTTOM EA. WAY



2 SECTION
S201 SCALE: 3/4"=1'-0"

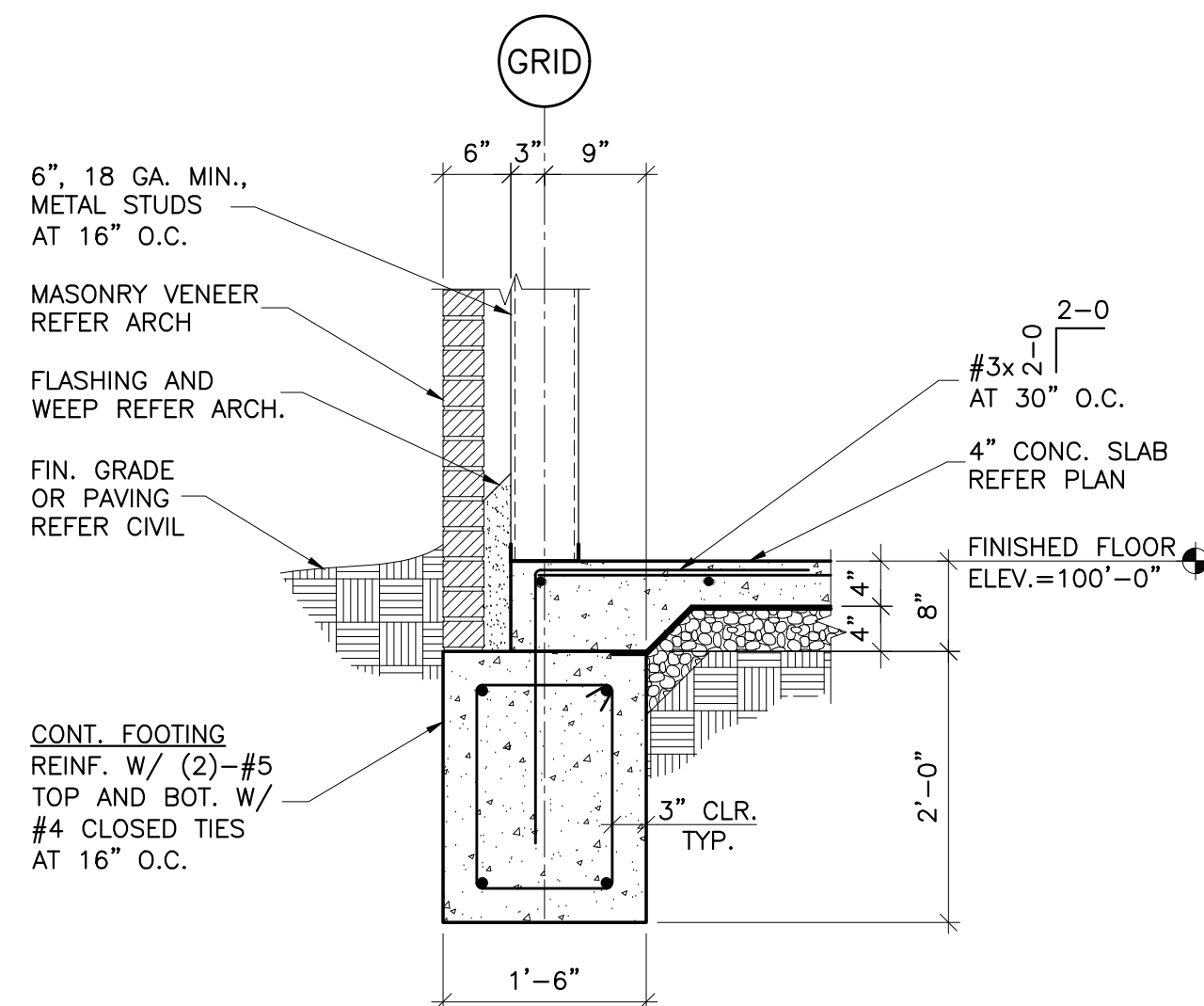


2A SECTION
S201 SCALE: 3/4"=1'-0"

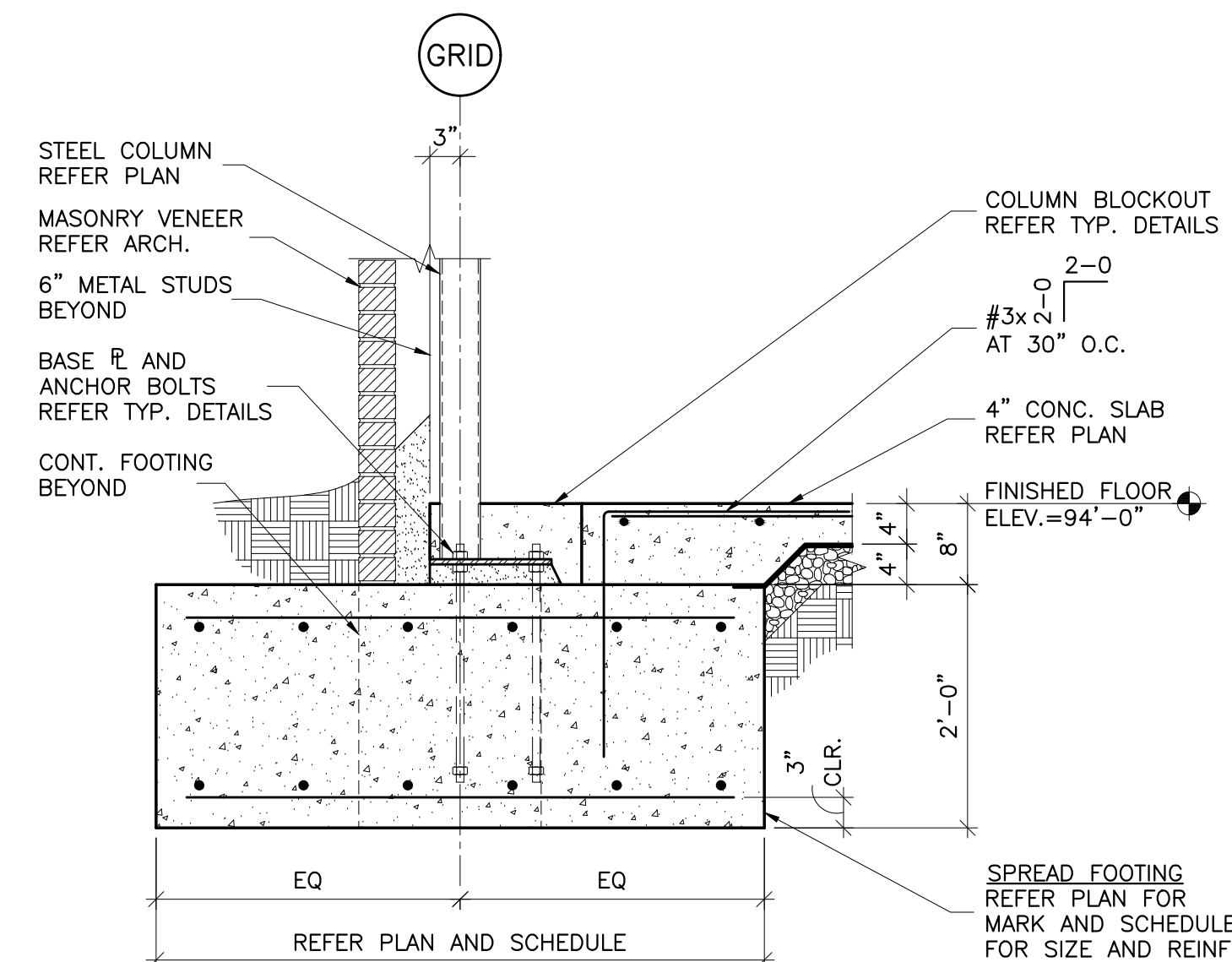


1 FOUNDATION PLAN
S201 SCALE: 1/4"=1'-0"

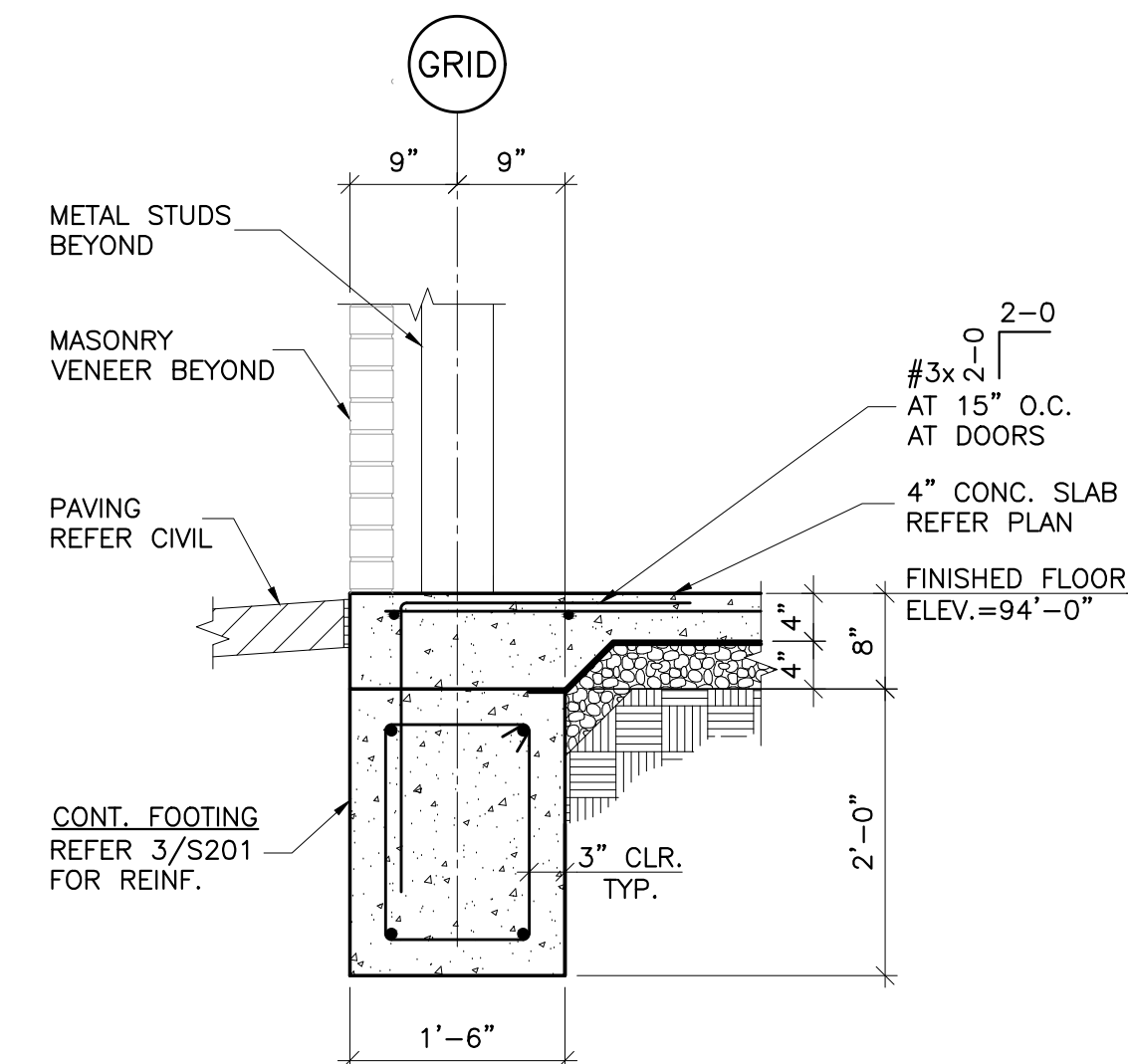
- FOUNDATION PLAN NOTES:**
- REFER TO GENERAL NOTES FOR SITE SUBGRADE PREPARATION.
 - REFER TO TYPICAL CONCRETE DETAILS FOR ADDITIONAL INFORMATION.
 - REPRESENTS (2) #4x4'-0" RE-ENTRANT CORNER REINFORCING BARS.
 - REFER REINFORCING LAP SCHEDULE ON TYPICAL FOUNDATION DETAIL SHEET FOR LAP LENGTHS.
 - F.D. INDICATES FLOOR DRAINS. REFER PLUMBING DRAWINGS.



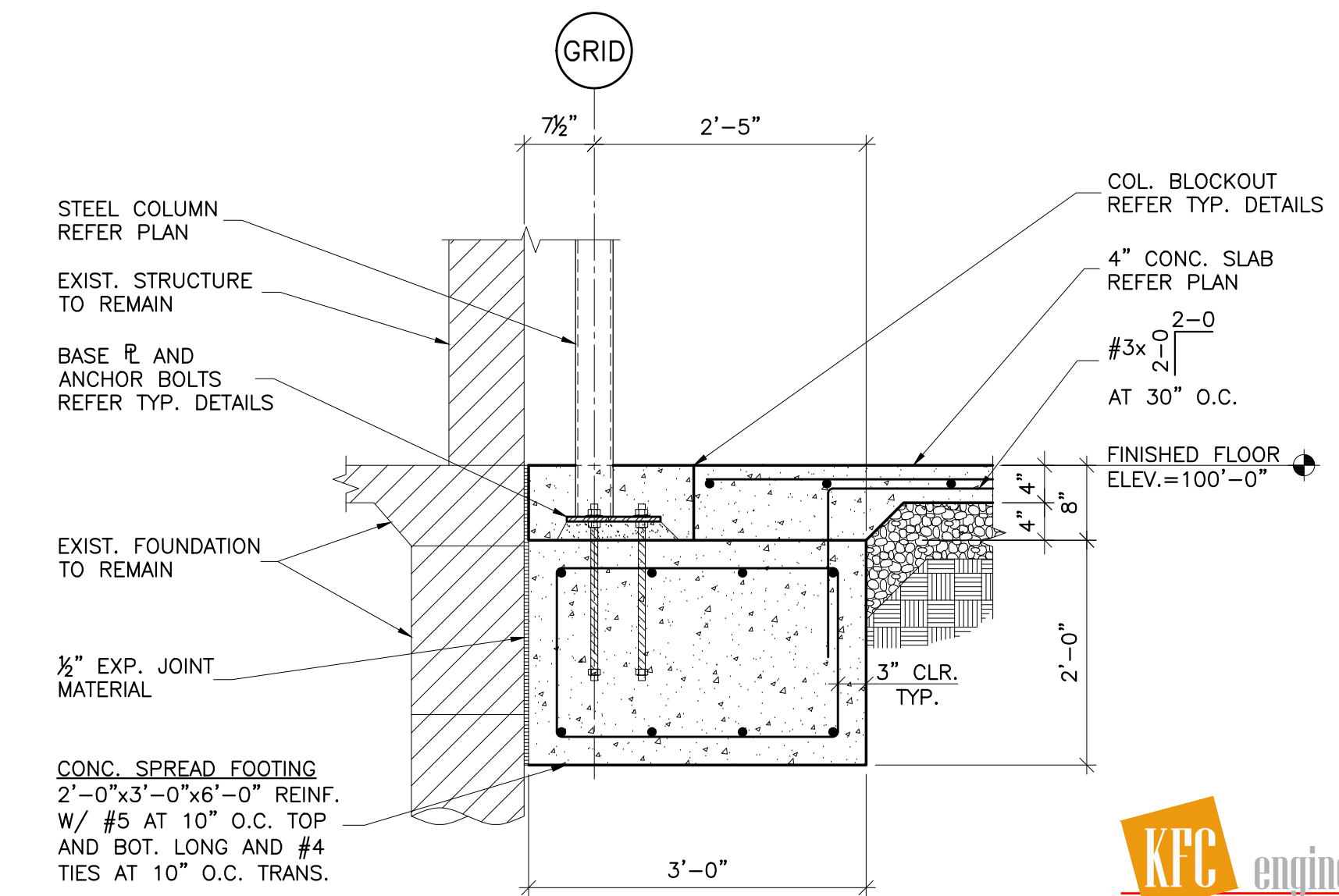
3 SECTION
S201 SCALE: 3/4"=1'-0"



4 SECTION
S201 SCALE: 3/4"=1'-0"



5 SECTION
S201 SCALE: 3/4"=1'-0"



6 SECTION
S201 SCALE: 3/4"=1'-0"