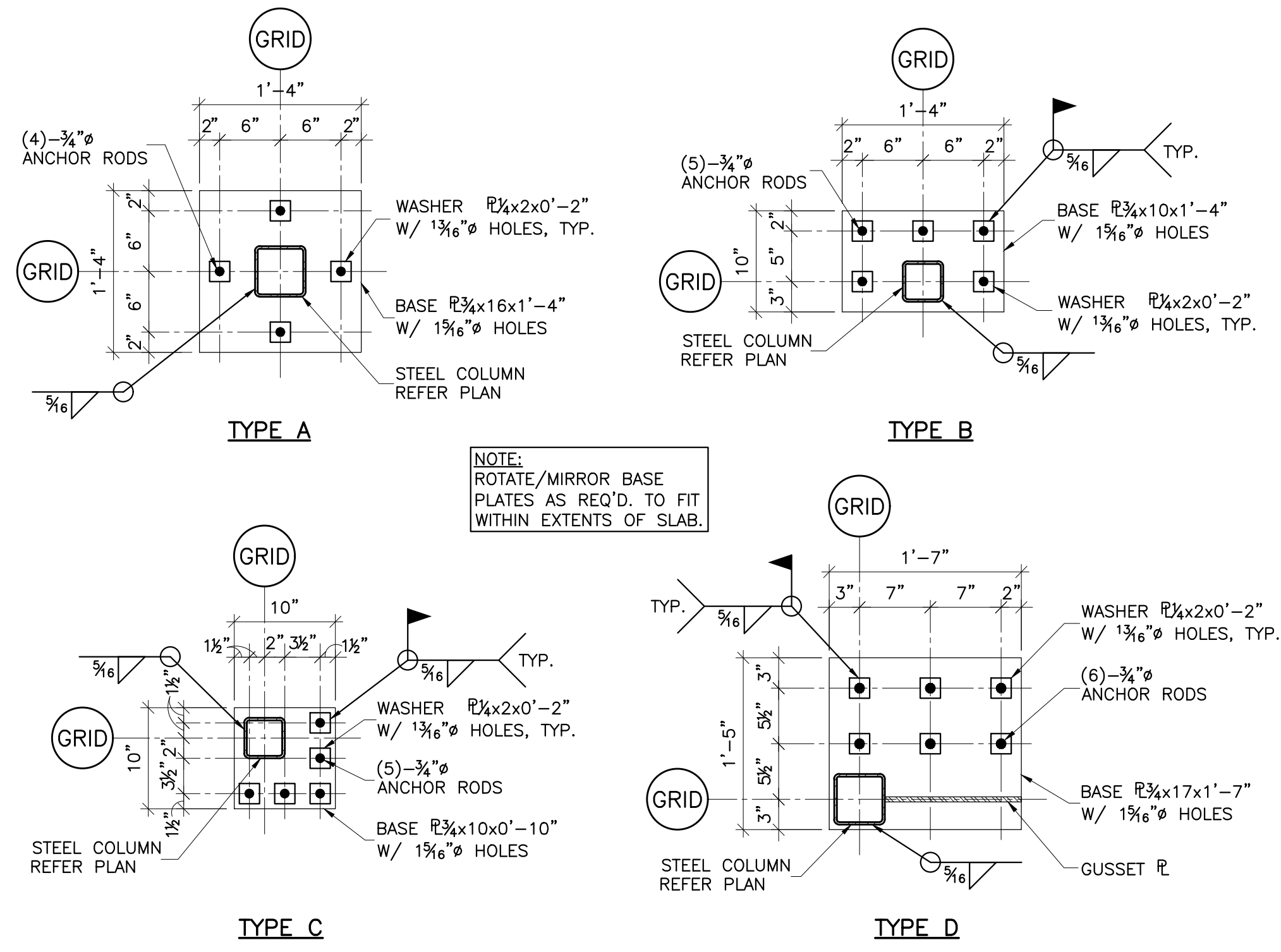


1 TYP. ISOLATION JOINT DETAILS
SCALE: NONE



2 BASE PLATE DETAILS
SCALE: NONE

3/4" A325-N BOLT SCHEDULE FOR SINGLE PLATE SHEAR TAB CONNECTIONS (FACTORED LOADS)

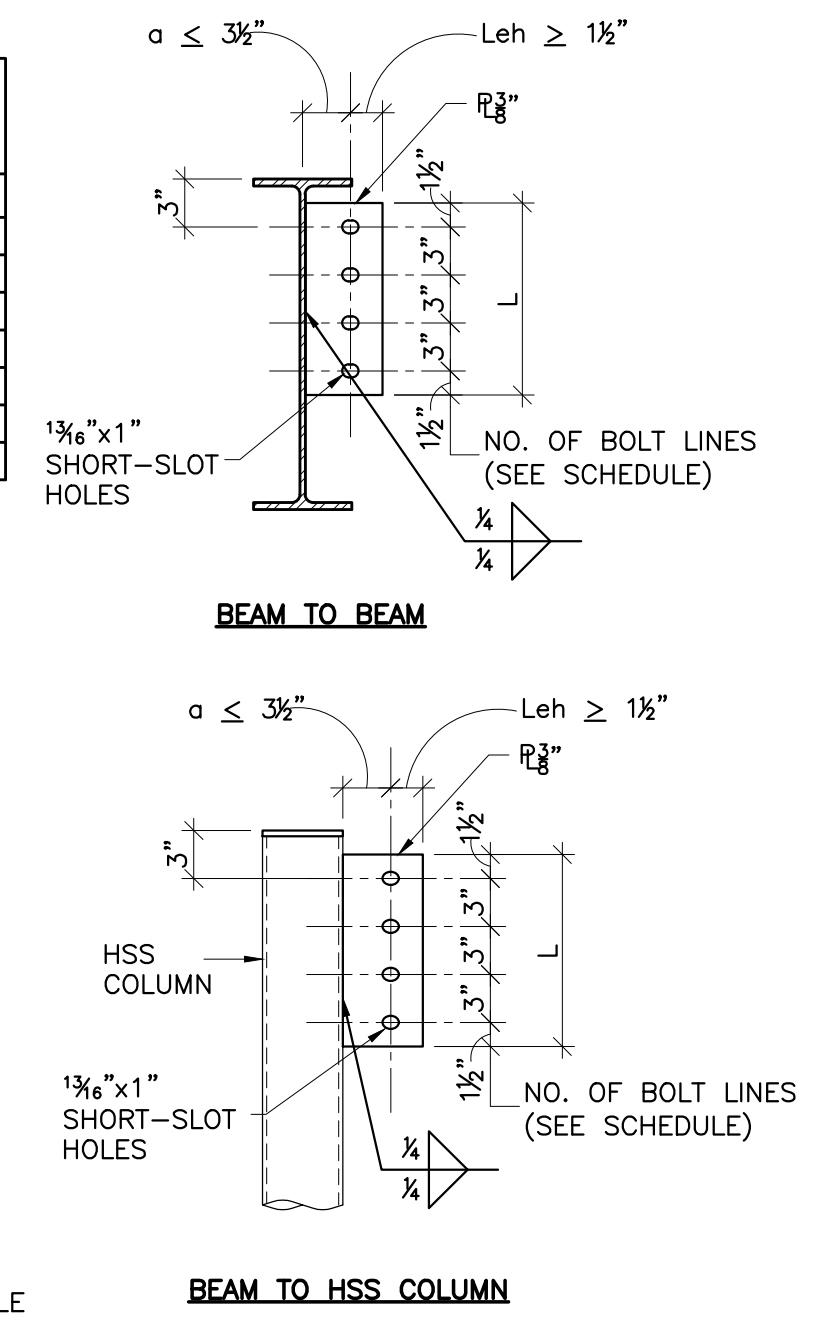
END REACTION	NO. OF BOLTS
0 THRU 24.8 KIPS	2-3/4"
24.9 THRU 43.4 KIPS	3-3/4"
43.5 THRU 62.5 KIPS	4-3/4"
62.6 THRU 81.3 KIPS	5-3/4"
81.4 THRU 100 KIPS	6-3/4"
101 THRU 118 KIPS	7-3/4"
119 THRU 137 KIPS	8-3/4"

NOTES:

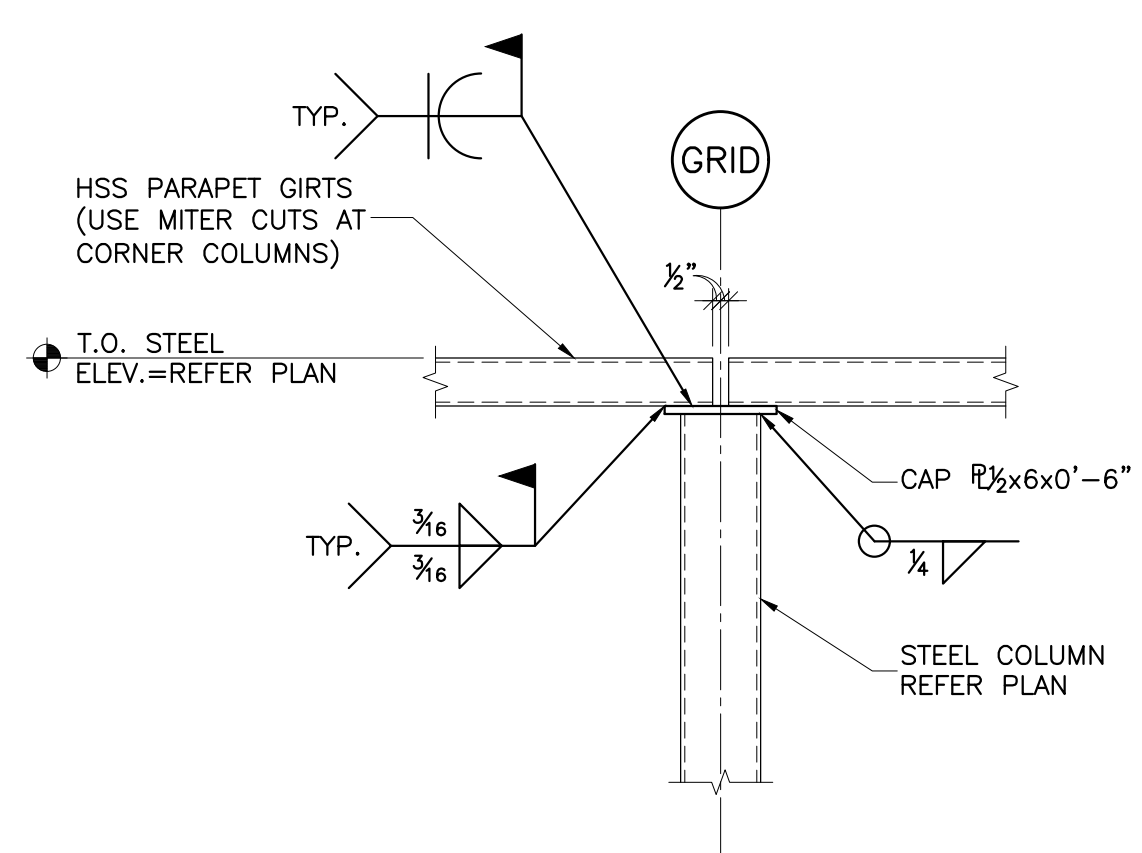
- VALUES SHOWN ARE APPLICABLE FOR SINGLE PLATE SHEAR TAB CONNECTIONS
- SEE PLAN FOR END REACTIONS
- L = PLATE LENGTH ≥ 1/2 OF CONNECTED BEAM.
- AT HSS OR PIPE COLUMNS, A THROUGH-PLATE WITH EQUAL WELD ON THE BACK SIDE OF THE COLUMN IS REQUIRED UNDER EITHER OF THE FOLLOWING CIRCUMSTANCES:
 - A. FOR SQUARE OR RECTANGULAR HSS: WHEN $\frac{R_u}{0.9F_y} > 35.1$
 - B. FOR ROUND HSS OR PIPE: WHEN $\frac{R_u}{F_y} > 3.190 \frac{D}{t}$

WHERE:

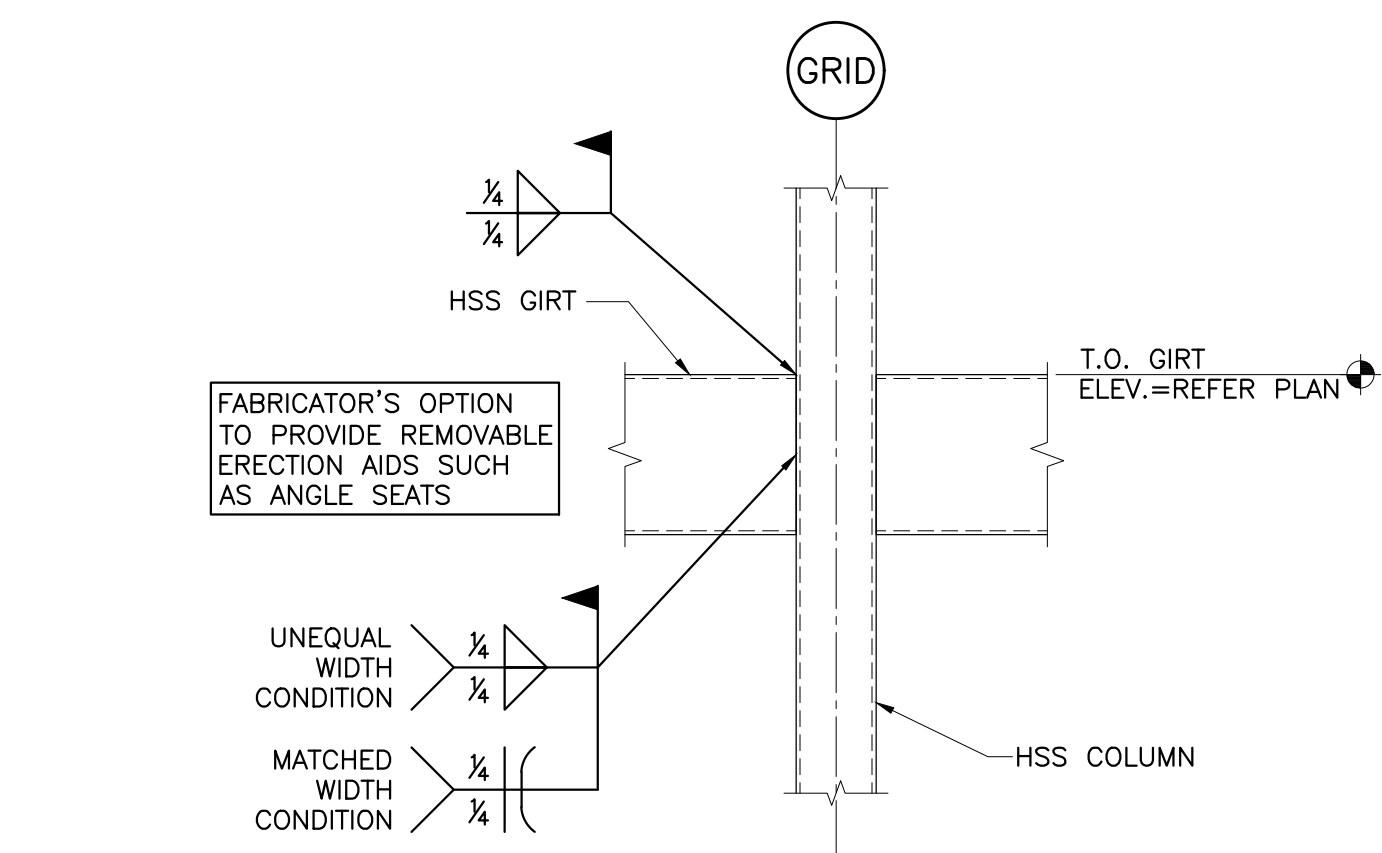
- B = NOMINAL COLUMN WIDTH ACROSS THE COLUMN FACE WITH THE SINGLE PLATE CONNECTION, IN.
- D = OUTSIDE DIAMETER OF ROUND HSS OR PIPE, IN.
- t = NOMINAL THICKNESS OF COLUMN, IN.
- F_y = YIELD STRENGTH OF COLUMN, KSI



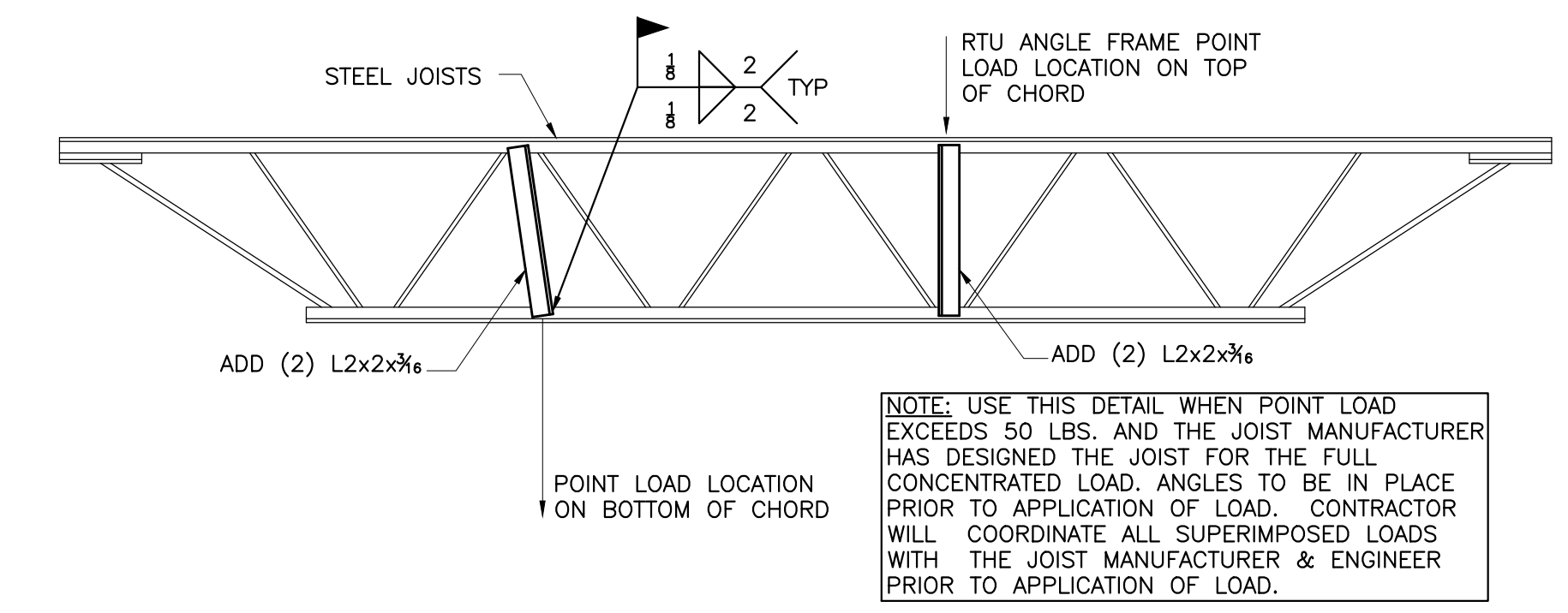
3 SINGLE PLATE SHEAR TAB CONNECTIONS (LRFD-AISC 14TH EDITION MANUAL)
SCALE: NONE



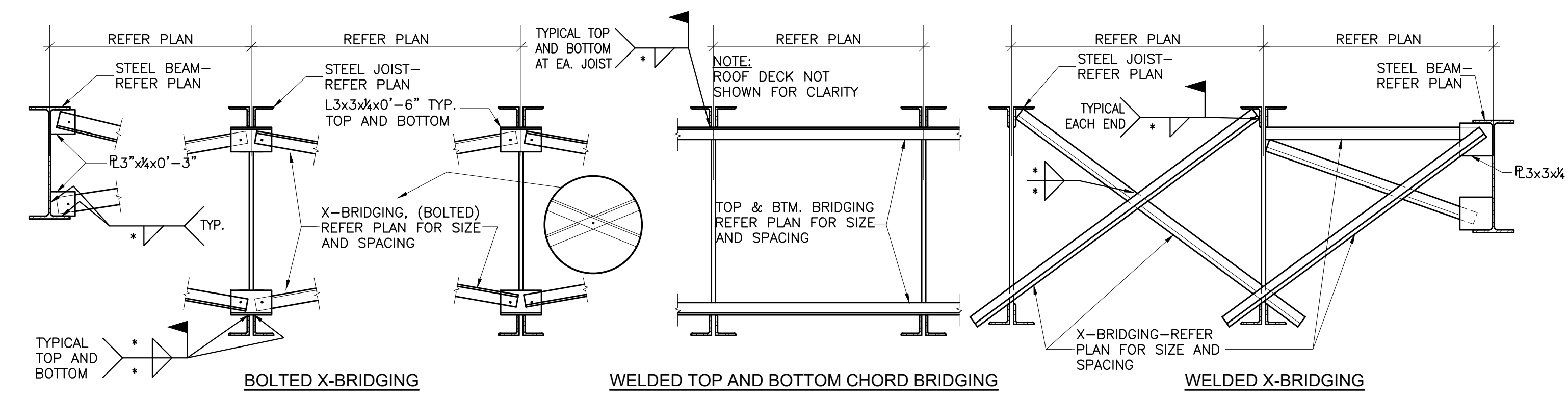
4 TYP. PARAPET GIRTS TO COLUMN
SCALE: NONE



5 TYP. HSS GIRTS TO HSS COLUMN CONN.
SCALE: NONE



6 BRACING DETAIL FOR STEEL JOISTS W/ POINT LOADS
SCALE: NONE



7 TYP. BRIDGING DETAILS AT JOISTS
SCALE: NONE

*WELD AS REQUIRED BY JOIST MANUFACTURER

AGP
the Abba Griffin Partnership L.L.C.

201 N. BROADWAY
SUITE 210
MOORE, OK. 73160
405.735.3477
AGP@theAGP.net
www.theAGP.net

KFC ENGINEERING
STRUCTURAL

SALAS O'BRIEN
MECHANICAL / ELECTRICAL



CJC
drawn by

BWB
checked by

MARCH 2023
date

revisions

MOORE PUBLIC SCHOOLS
BOARD OF EDUCATION
MOORE, OKLAHOMA



OFFICE
ADDITION -
SOUTHGATE
ELEMENTARY SCHOOL

sheet no:

S103

KFC engineering
Kirkpatrick Forest Curtis PC
Structural Engineering
OK CA #3888, EXP. 06/30/25
525 Central Park Drive, Suite 202
Oklahoma City, OK 73165
405.528.4596 | kfcengr.com

OWNERSHIP USE OF DOCUMENTS:
AGP EXPRESSLY RESERVES ITS COPYRIGHT AND OTHER PROPERTY RIGHTS OF ALL PLANS AND DRAWINGS DESIGNED AND/OR PRODUCED. PLANS AND DRAWINGS ARE NOT TO BE REPRODUCED IN ANY FORM OR MANNER WITHOUT THE EXPRESSED WRITTEN CONSENT OF AGP.