

RK
drawn by
DMG
checked by
APRIL 2023
date
revisions

MOORE PUBLIC SCHOOLS
BOARD OF EDUCATION
MOORE, OKLAHOMA



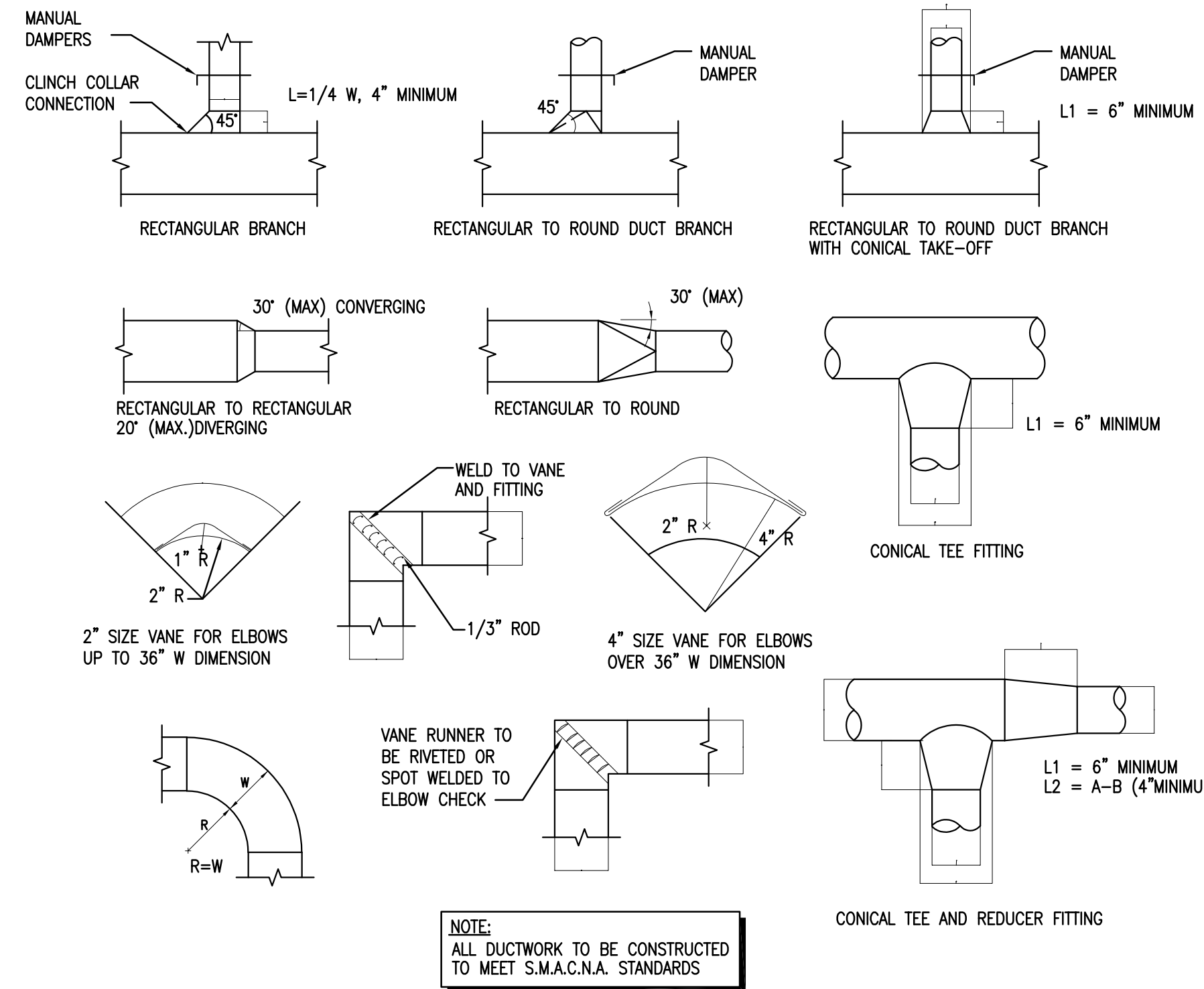
OFFICE
ADDITION -
SOUTHGATE
ELEMENTARY SCHOOL

sheet no:

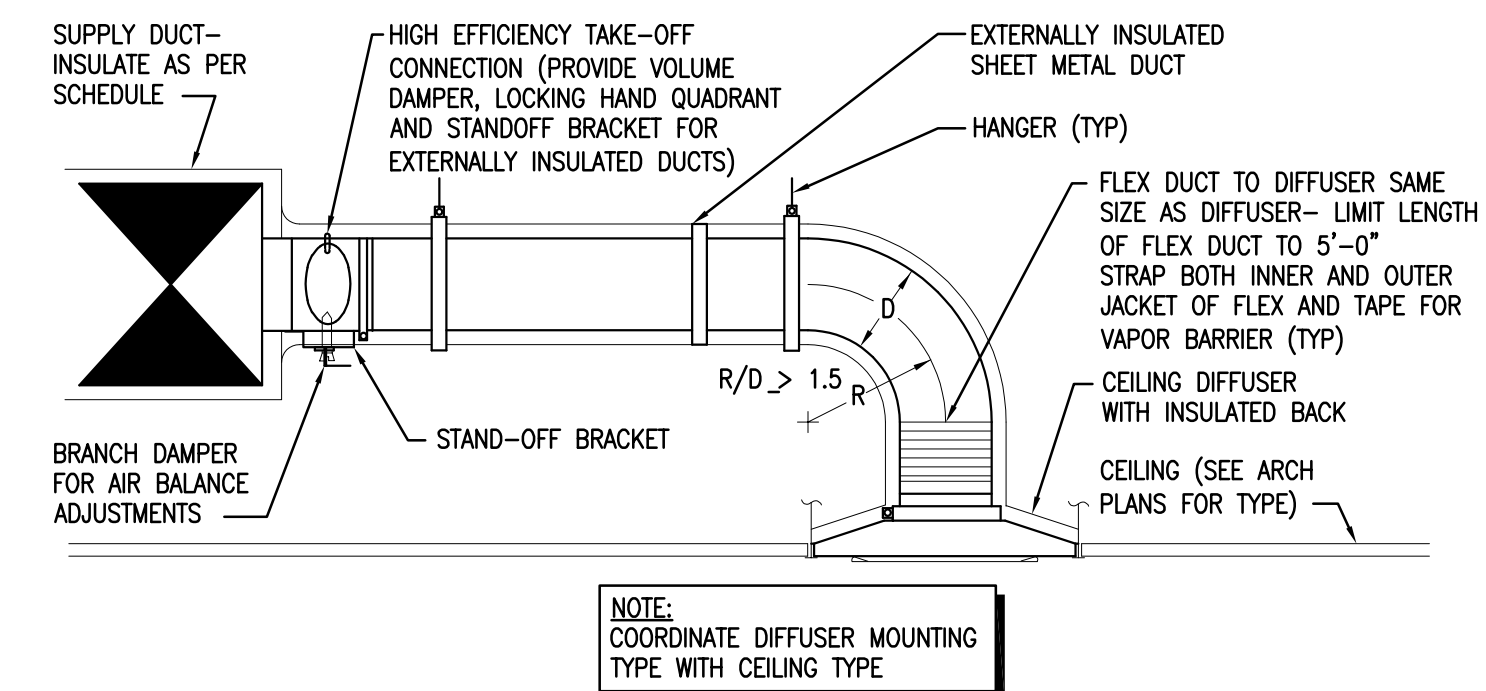
M501

OWNERSHIP USE OF DOCUMENTS:
AGP EXPRESSLY RESERVES ITS
COPYRIGHT AND OTHER PROPERTY
RIGHTS OF ALL PLANS AND DRAWINGS
DESIGNED AND/OR PRODUCED. PLANS
AND DRAWINGS ARE NOT TO BE
REPRODUCED IN ANY FORM OR MANNER
WITHOUT THE EXPRESSED WRITTEN
CONSENT OF AGP.

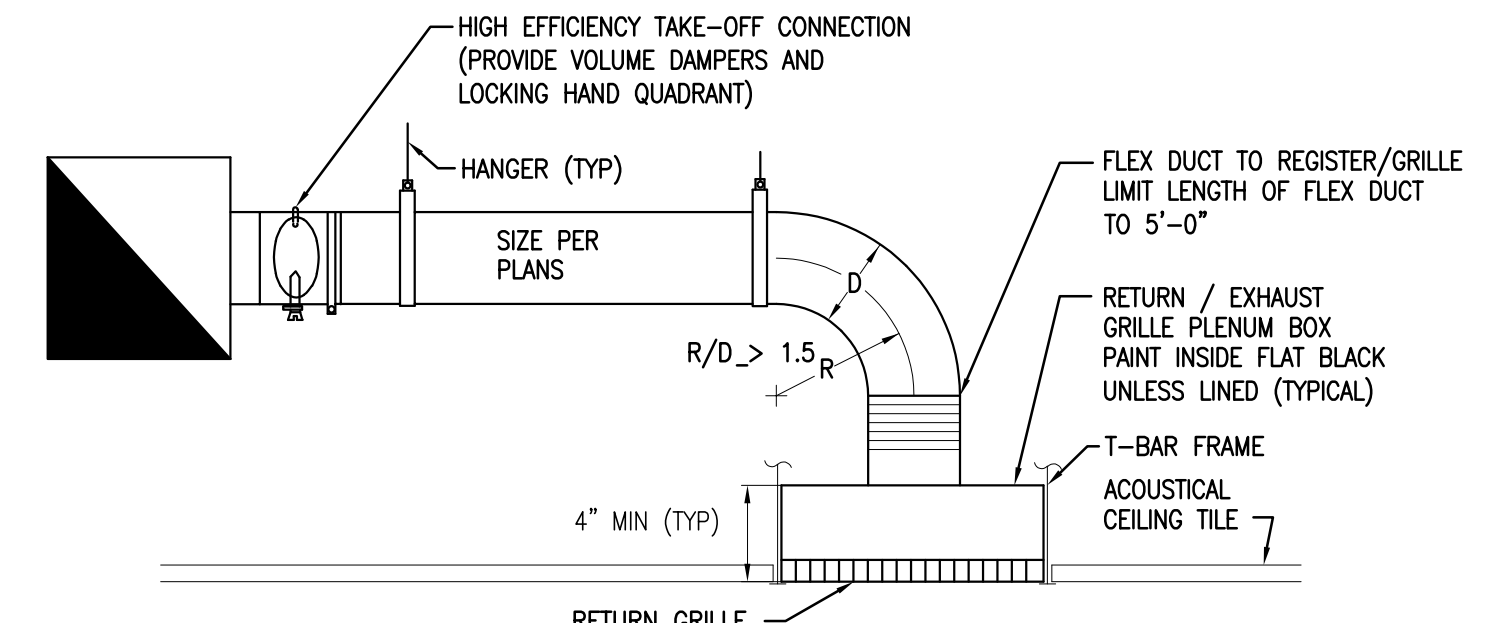
Salas O'Brien
2600 Van Buren St., Suite 2635
Norman, OK 73072
Salas O'Brien Registration: CA# 7058
Expiration Date: 6/30/2023
Salas O'Brien Project Number: 2023-01140-00



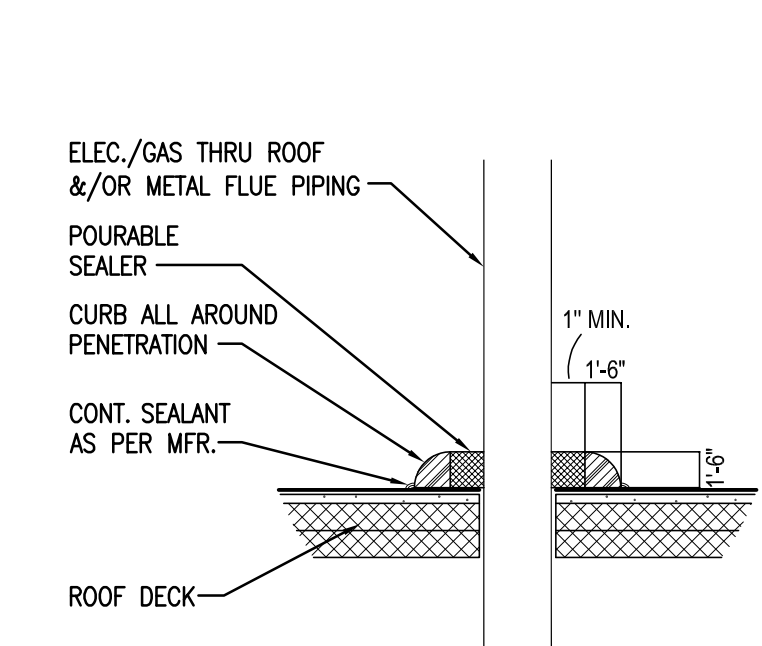
1 TYPICAL DUCTWORK DETAILS
NOT TO SCALE



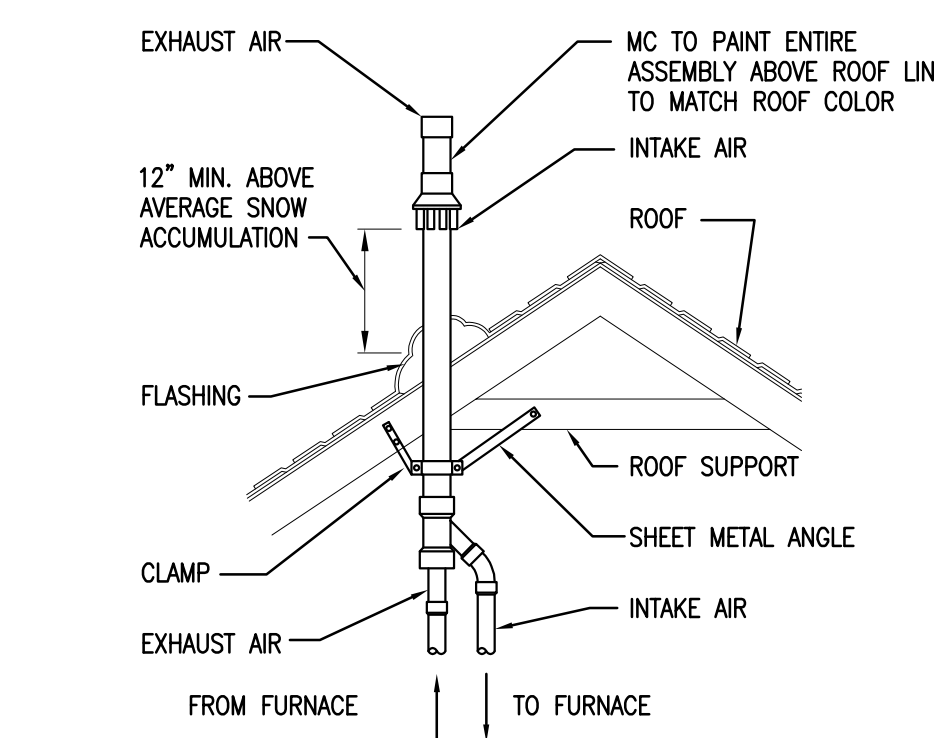
2 CEILING DIFFUSER DETAIL
NOT TO SCALE



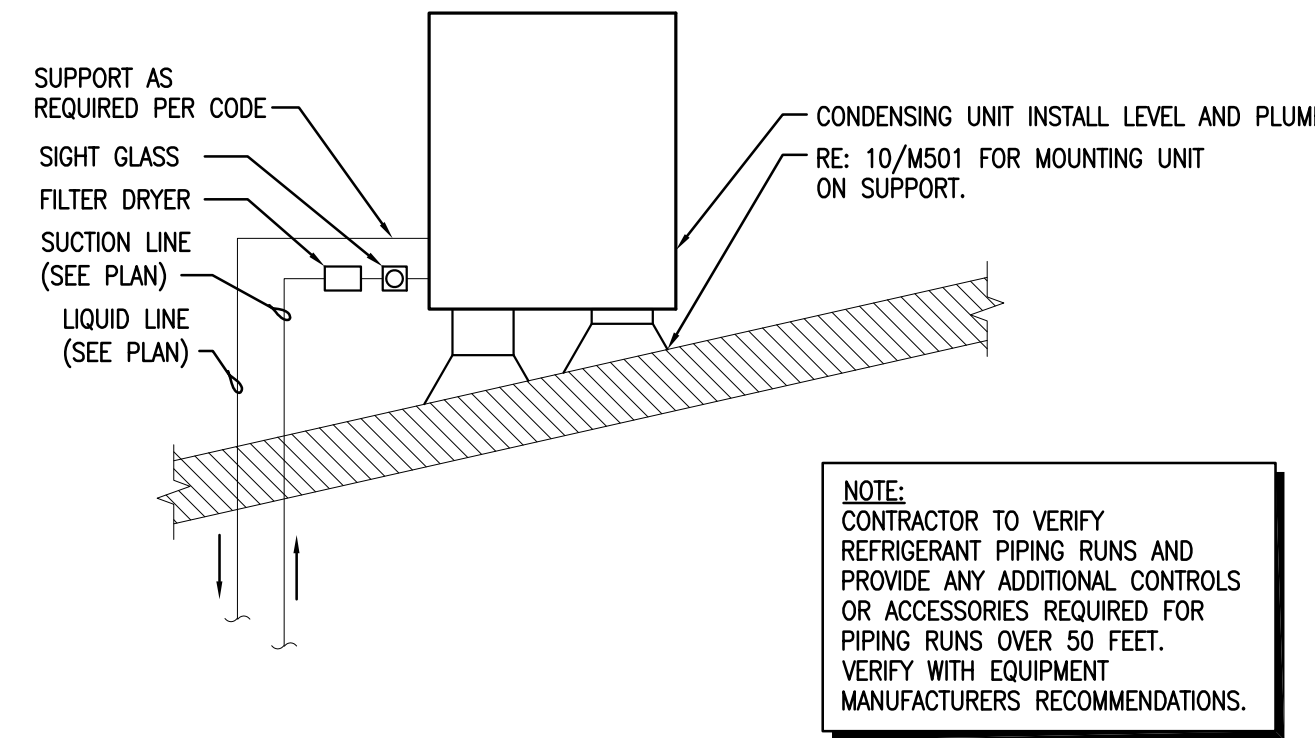
4 RETURN / EXHAUST AIR GRILLE PLENUM BOX
NOT TO SCALE



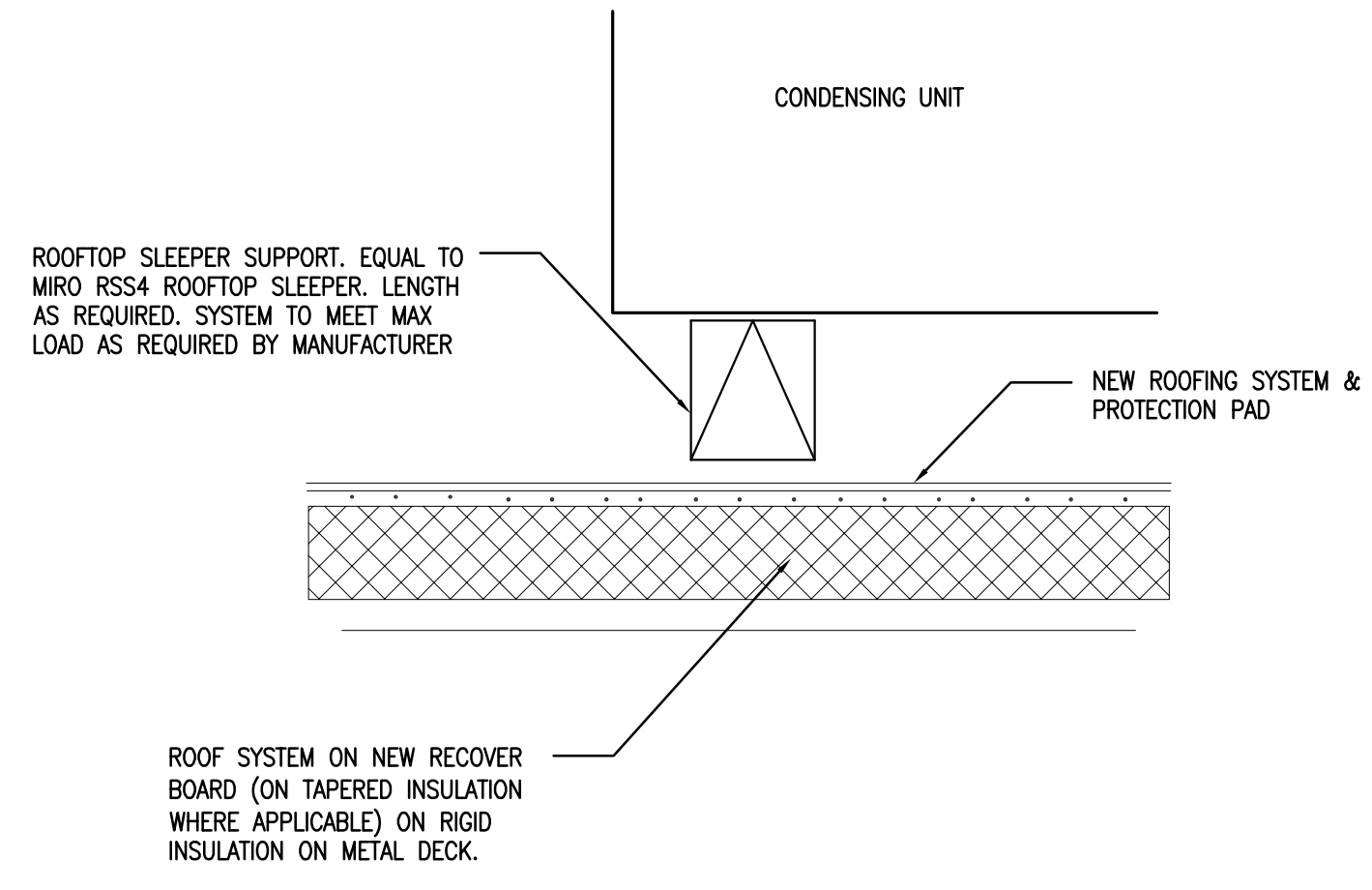
**7 PENETRATION DAMP/
SEALER POCKET DETAIL**
NOT TO SCALE



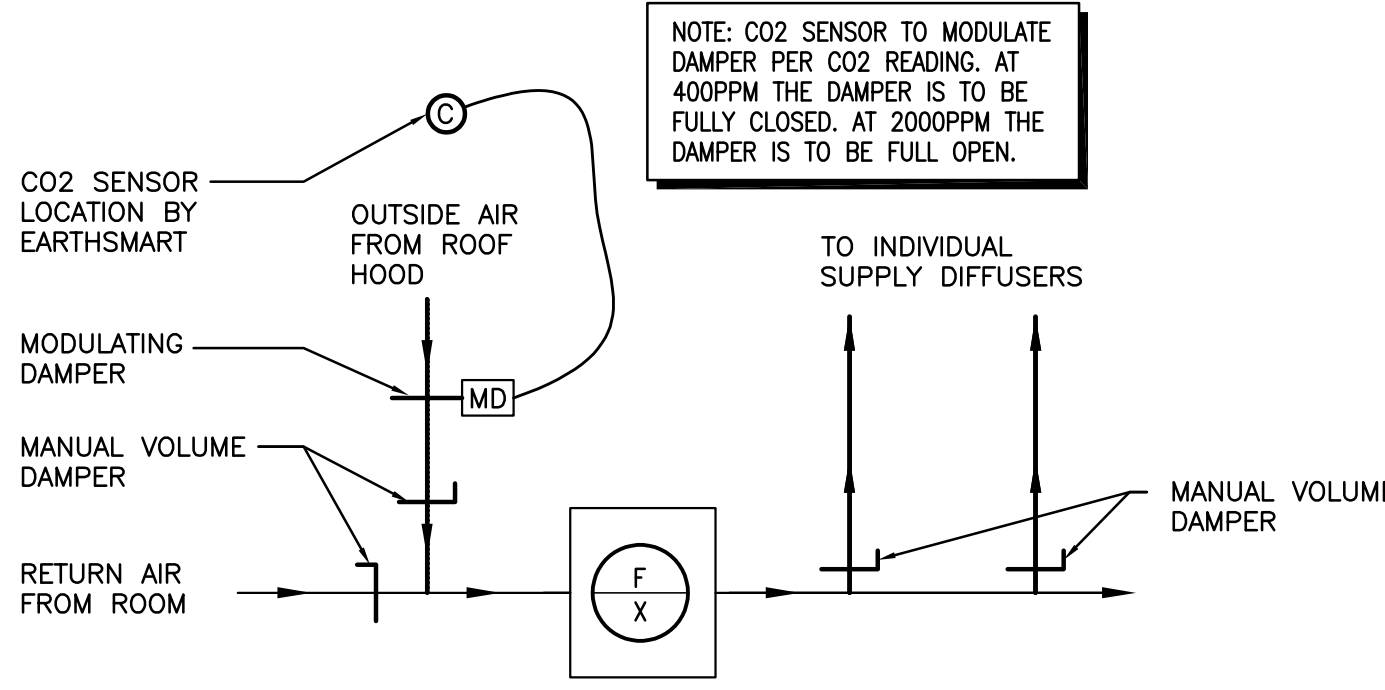
6 VENT TERMINATION DETAIL
NOT TO SCALE



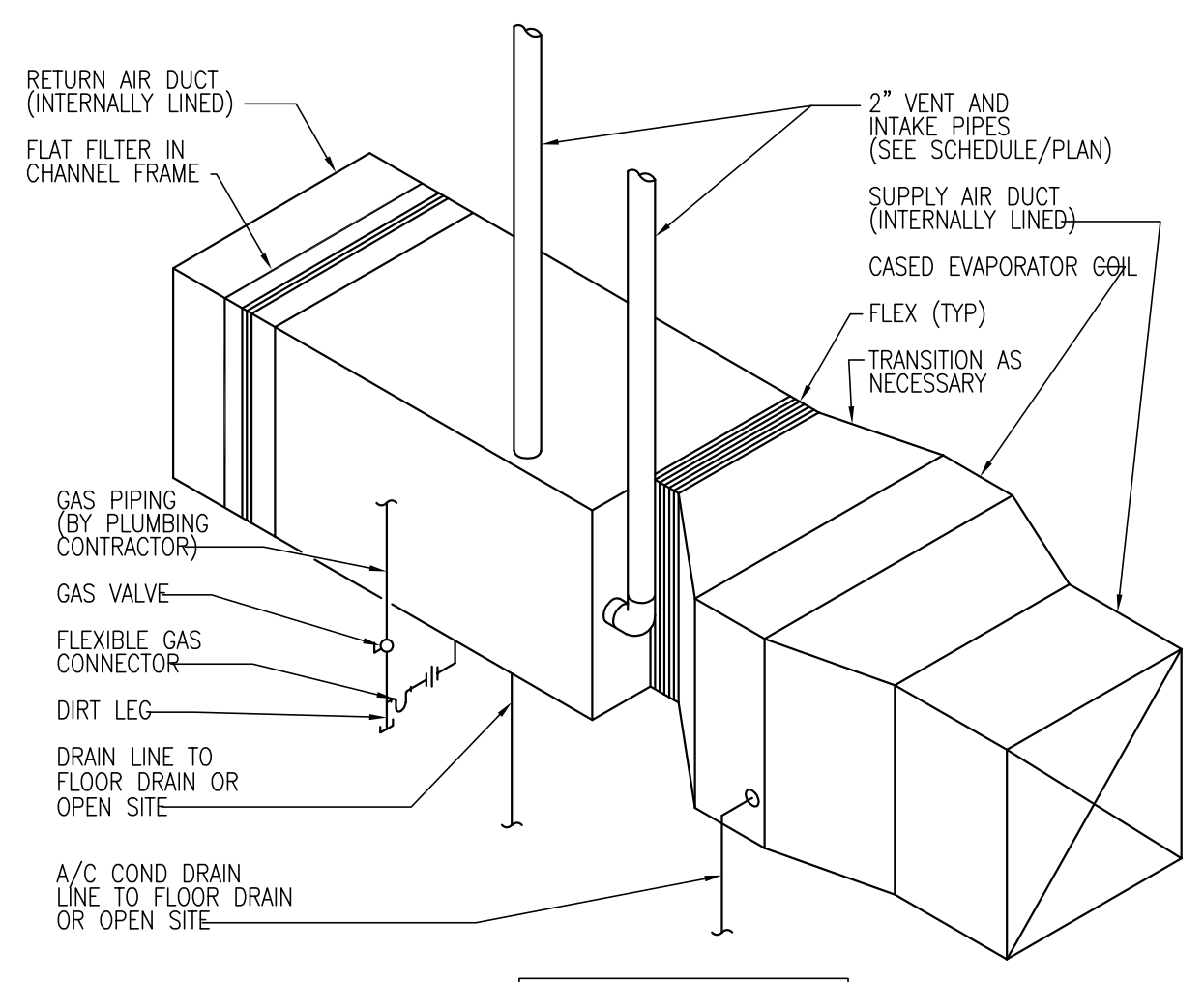
5 CONDENSING UNIT MOUNTING DETAIL
NOT TO SCALE



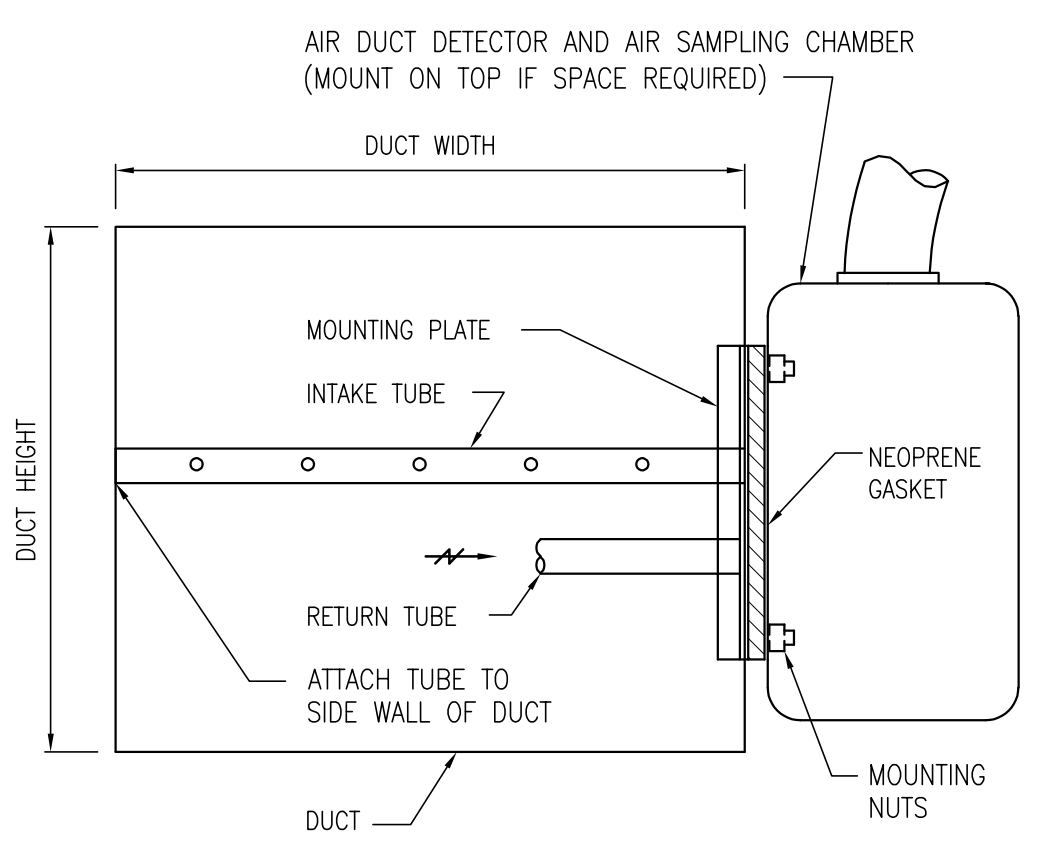
9 CONDENSING UNIT ROOF SUPPORT
NOT TO SCALE



8 TYPICAL FURNACE AIR BALANCING SCHEMATIC
NOT TO SCALE



3 HORIZONTAL GAS FURNACE DETAIL
NOT TO SCALE



- NOTES:
1. SMOKE DETECTOR FURNISHED AND WIRED BY ELECTRICAL CONTRACTOR, AND MOUNTED BY MECHANICAL CONTRACTOR.
 2. INSTALL IN STRICT ACCORDANCE WITH MANUFACTURER'S INSTALLATION INSTRUCTIONS.
 3. PROVIDE ACCESS DOOR AT SAMPLING TUBES.
 4. THE TUBE SHALL BE INSTALLED PARALLEL TO LONG DIMENSION OF DUCT.
 5. PRODUCT SHALL BE UL268A LISTED FOR DUCT MOUNTED SMOKE DETECTORS, OR UL268A FOR ALL OTHER SMOKE DETECTOR TYPES.
 6. EC SHALL TEST ACCORDING TO UL AND CODES IN THE PRESENCE OF CODE AUTHORITY.

10 SMOKE DETECTOR MOUNTING DETAIL
NOT TO SCALE