



DW
drawn by
TVO
checked by
APRIL 2023
date
revisions

MOORE PUBLIC SCHOOLS
BOARD OF EDUCATION
MOORE, OKLAHOMA



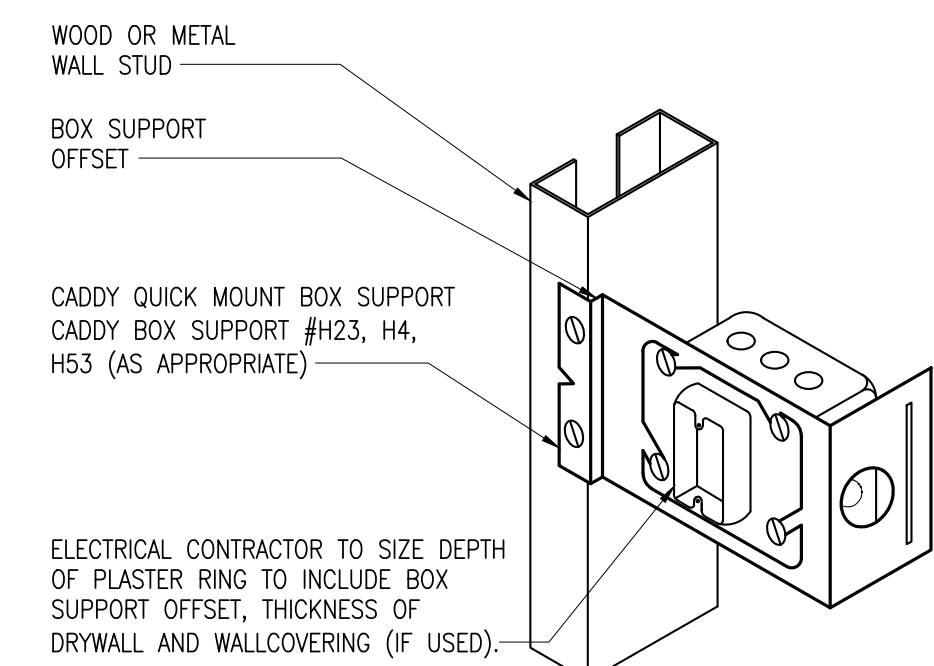
OFFICE
ADDITION -
SOUTHGATE
ELEMENTARY SCHOOL

sheet no:

E501

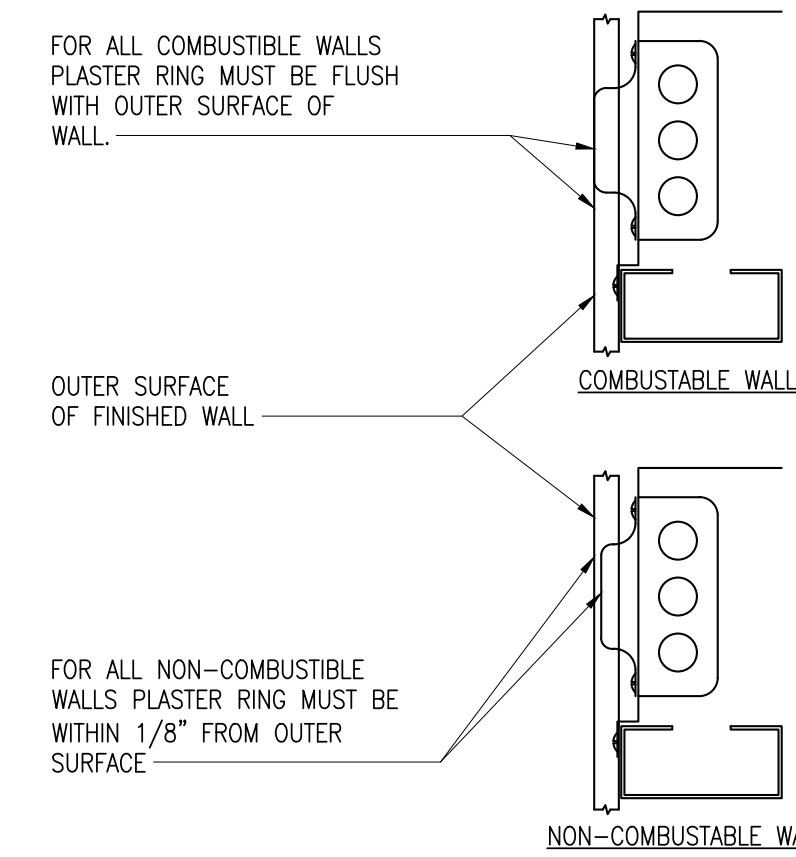
Salas O'Brien
2600 Van Buren St., Suite 2635
Norman, OK 73072
Salas O'Brien Registration: CA# 7058
Expiration Date: 6/30/2023
Salas O'Brien Project Number: 2023-01140-00

OWNERSHIP USE OF DOCUMENTS:
AGP EXPRESSLY RESERVES ITS
COPYRIGHT AND OTHER PROPERTY
RIGHTS OF ALL PLANS AND DRAWINGS
DESIGNED AND/OR PRODUCED. PLANS
AND DRAWINGS ARE NOT TO BE
REPRODUCED IN ANY FORM OR MANNER
WITHOUT THE EXPRESSED WRITTEN
CONSENT OF AGP.

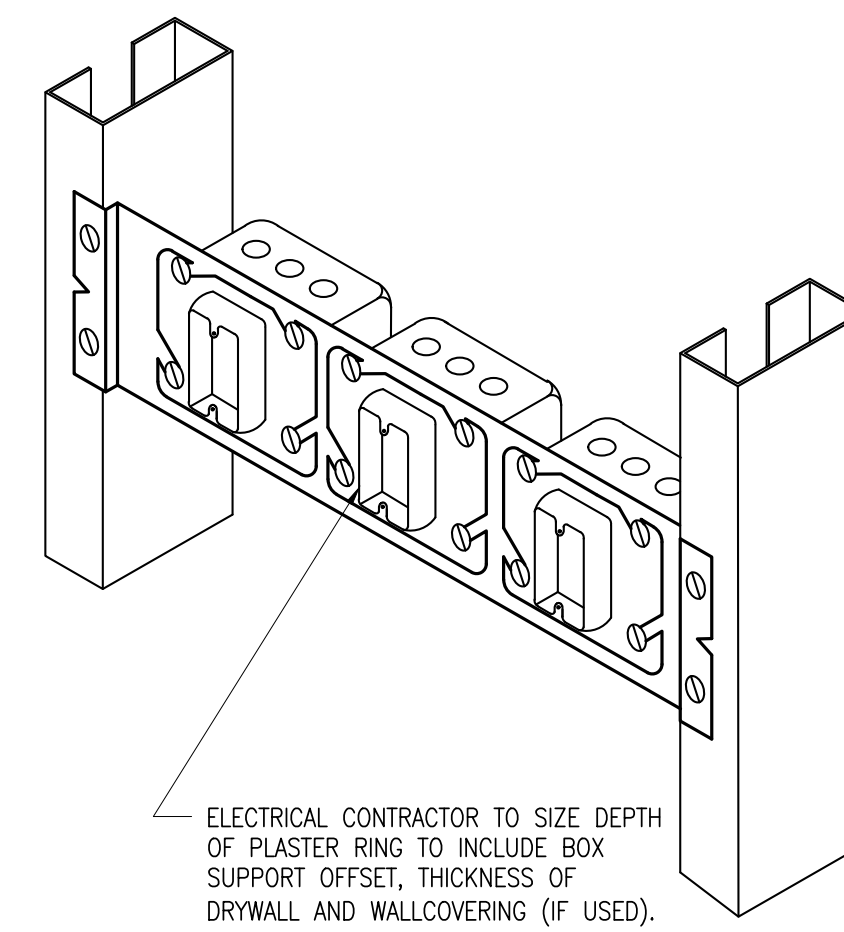


ELECTRICAL CONTRACTOR TO SIZE DEPTH OF PLASTER RING TO INCLUDE BOX SUPPORT OFFSET, THICKNESS OF DRYWALL AND WALLCOVERING (IF USED).

SOME EXAMPLES:
- 3/4" PLASTER RING FOR SINGLE LAYER 5/8" GYPSUM BOARD WALL FINISH
- 1" PLASTER RING FOR TWO LAYER WALL FINISH 1/2" OVER 1/4"

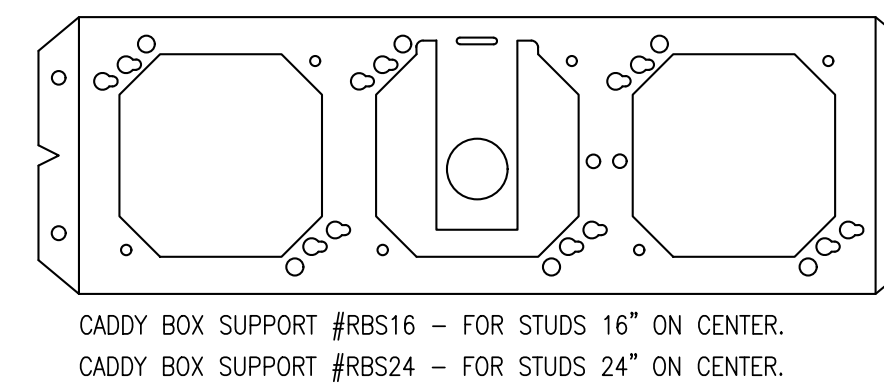


1 BOX SUPPORT DETAIL
NO SCALE

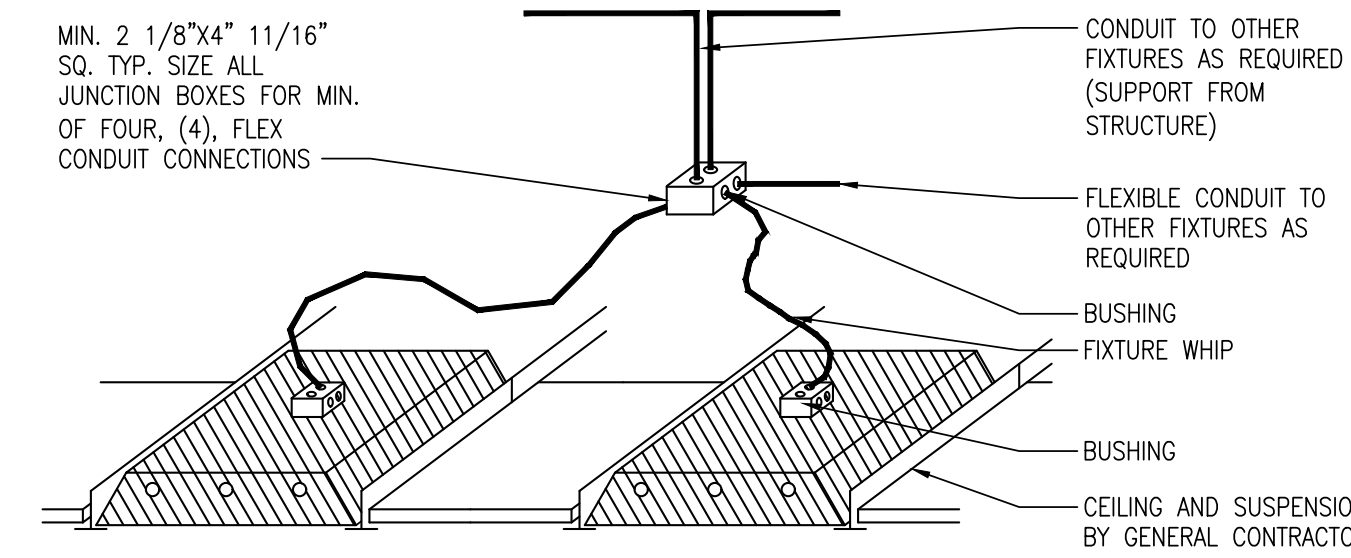


ELECTRICAL CONTRACTOR TO SIZE DEPTH OF PLASTER RING TO INCLUDE BOX SUPPORT OFFSET, THICKNESS OF DRYWALL AND WALLCOVERING (IF USED).

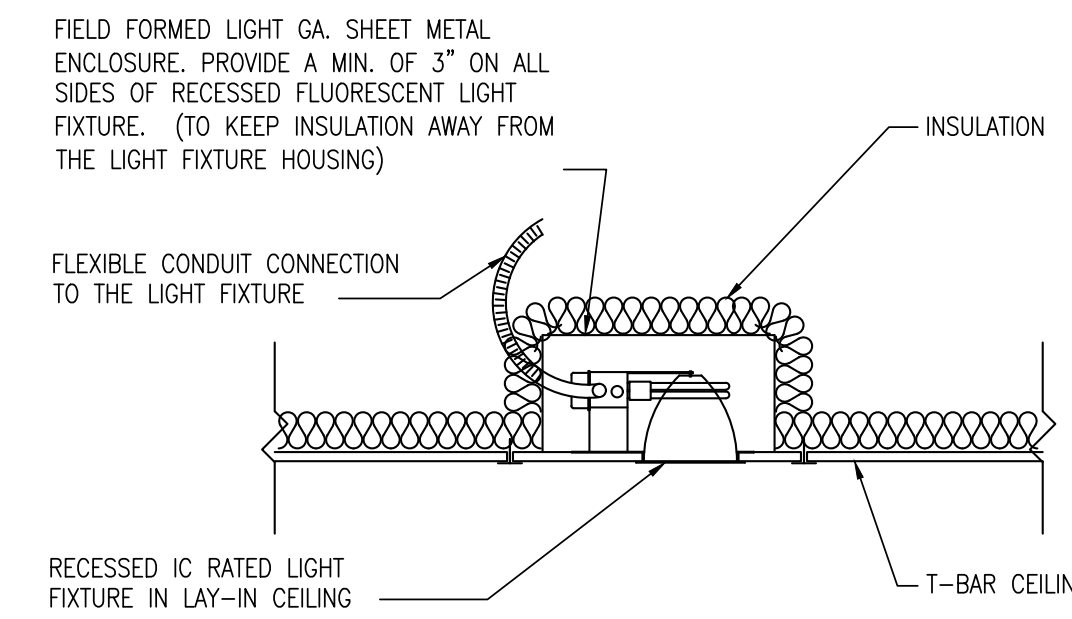
SOME EXAMPLES:
- 3/4" PLASTER RING FOR SINGLE LAYER 5/8" GYPSUM BOARD WALL FINISH
- 1" PLASTER RING FOR TWO LAYER WALL FINISH 1/2" OVER 1/4"



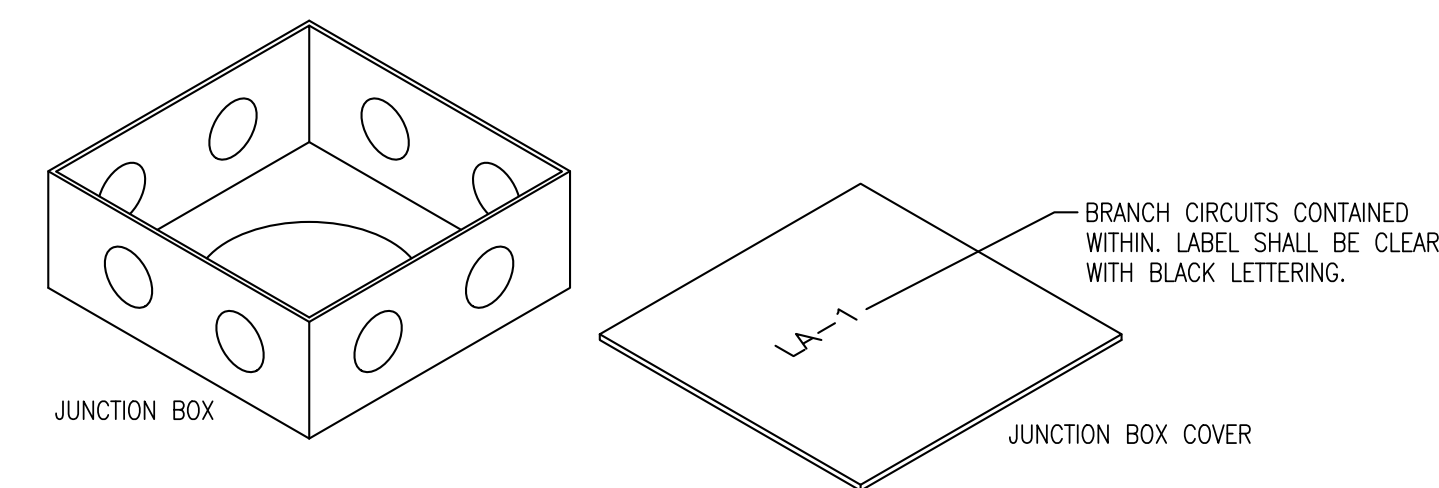
2 MULTIPLE BOX SUPPORT DETAIL
NO SCALE



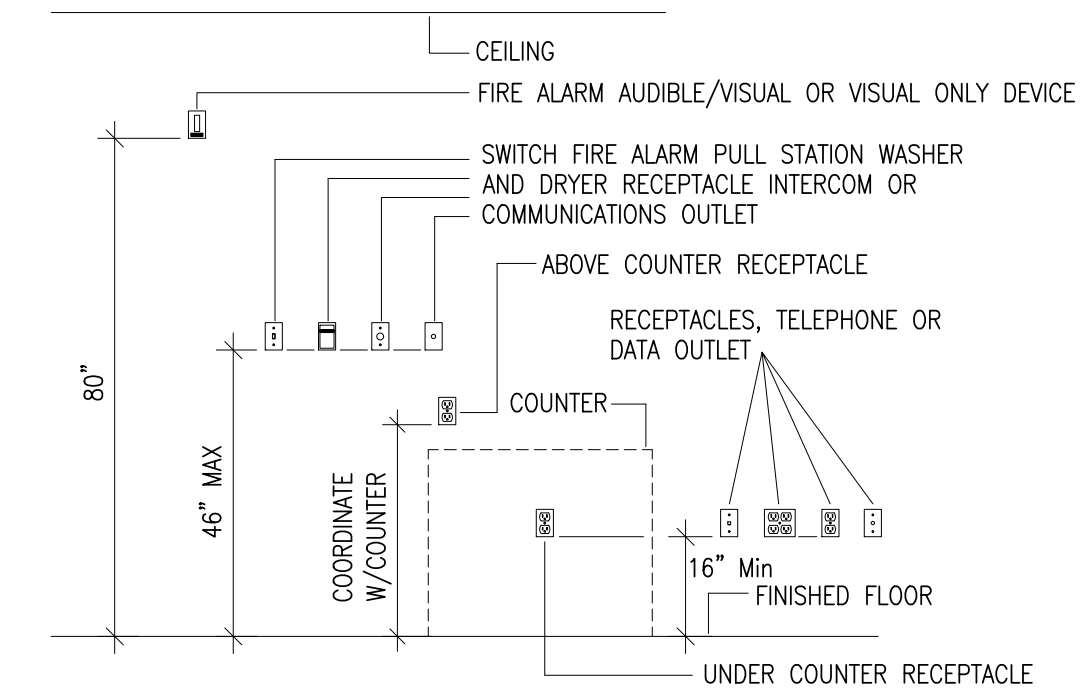
3 TYP. TROFFER POWER DETAIL
NO SCALE



4 IC LIGHT FIXTURE DETAIL
NO SCALE



6 JUNCTION BOX DETAIL
NO SCALE



5 TYP. OUTLET MOUNTING DETAIL
NOT TO SCALE