

DESCRIPTION	RM. NO.	FLOOR	BASE	CEILING	CLG. HT.	REMARKS	RM. NO.	WALLS	PAINT / COLOR SCHEDULE				
									CLG.	WALLS			
									N	E	S	W	REMARKS
VESTIBULE	1				9'-4"				(1)	(2a)	(2a)	(2a)	(7-17)
CORRIDOR	2				10'-0"				(1-13)	(2a)	(2a)	(2a)	(7-17)
RECEPTION	3				10'-0" / 9'-4" / 8'-8"				(1-13)	(2)	(2)	(2)	(6-7) (8-9) (10-11) (16-20) (26)
OFFICE	4				8'-8"				(1-13)	(2)	(2)	(2)	(6-7) (15-16)
CORRIDOR	5				10'-0"				(1-13)	(2a)	(2)	(2)	(7-17)

DOOR NO.	LOCATION	DOOR ELEV.	DOOR MAT'L	DOOR SIZE	TH K	FRAME ELEV.	DOOR DETAILS			REMARKS	HWDR. SET NO.
1	5 EXT.	A	H.M.	PR. 3'-0" 7'-0"	1 3/4"	B	HEAD	SILL	JAMB	JAMB	1
2	1 EXT.	B	ALUM.	PR. 3'-0" 7'-0"	1 3/4"	C	15A501	15A501	9A501	8A501	2
3	2 INT.	1	ALUM.	PR. 3'-0"	<	C	14S01	15A501	9A501	8A501	3
4	1 INT.	3	WD	3'-0"	<	A	2A501	16A501	9A501	9A501	4
5	2 INT.	3	WD	<	<	A	2A501	16A501	9A501	9A501	4
6	3 INT.	5	WD	<	<	A	2A501	16A501	9A501	9A501	4
7	3 INT.	4	WD	<	<	A	2A501	16A501	9A501	9A501	5
8	4 INT.	5	WD	3'-0" 7'-0"	1 3/4"	A	2A501	16A501	9A501	9A501	5

1 ROOM FINISH SCHEDULE

- SCHEDULE ORIENTED SAME AS PLAN
- INDICATES MATERIAL IN A GIVEN AREA
- MATERIAL ON ALL SURFACES
- MATERIAL ON EACH INDIVIDUAL SURFACE
- IF CIRCLE IS BLACKENED - SURFACE TO RECEIVE PAINTER'S FINISH
- IF CIRCLE IS BLANK - SURFACE OR MATERIAL IS PREFINISHED OR NOT PAINTED

- PAINT:**
- GYP. BOARD CEILINGS: SHERWIN-WILLIAMS - SW7006 - EXTRA WHITE
 - WALLS - FIELD: SHERWIN-WILLIAMS - SW7008 - ALABASTER
 - WALLS - ACCENT: SHERWIN-WILLIAMS - TO BE SELECTED BY ARCHITECT.
 - WALLS - ACCENT: SHERWIN-WILLIAMS - TO BE SELECTED BY ARCHITECT.
 - H.M. DOORS & FRAMES: SHERWIN-WILLIAMS - SW6992 - INKWELL
 - MISCELLANEOUS METALS / PAINTED EXTERIOR CANOPIES: SHERWIN-WILLIAMS - SW6992 - INKWELL
 - WOOD DOORS & MILLWORK: ARCHITECTURAL WOOD DOORS - CLEAR CLUT
- PREFINISHED COLORS:**
- CARPET TILES: INTERPACE AE315 / 109816 GRANITE / AZURE
 - RUBBER WALL BASE: ROPPE - BLACK
 - SOLID SURFACE (COUNTERTOPS): CORIAN - DEEP CAVIAR
 - SOLID SURFACE (COUNTERTOPS): CORIAN - EVENING PRIMA / JUNIPER
 - PLASTIC LAMINATE (FACING AND EDGING): WILSONART - D315 - PLATINUM
 - VINYL T* EDGING - TO BE SELECTED FROM MFRS STANDARD COLORS
 - MELAMINE - TO BE SELECTED FROM MFRS STANDARD COLORS
 - NUMBER NOT USED
 - 2 X 2 ACOUSTICAL LAY - IN TILES - REGULAR EDGE - REFER SPECIFICATIONS
 - INTERIOR SIGNAGE: MOHAWK SIGN SYSTEMS - TO BE SELECTED BY ARCHITECT
 - MARKERBOARD: BEST-RITE - WHITE
 - TACKBOARD: BEST-RITE CHALKBOARD CO. - BR315 - ANTIQUE WHITE
 - VINYL FLOOR TILE - KARNDIEN - COLOR "A" MONTANA LT203 / COLOR "B" INDIANA LT202

- EXTERIOR COLORS:**
- PREFINISHED METAL COPING - TO BE VERIFIED WITH ARCHITECT PRIOR TO CONSTRUCTION - MATCH EXISTING
 - MASONRY BRICK VENEER: AOME BRICK - TO BE VERIFIED WITH ARCHITECT PRIOR TO CONSTRUCTION - MATCH EXISTING

2 COLOR SCHEDULE

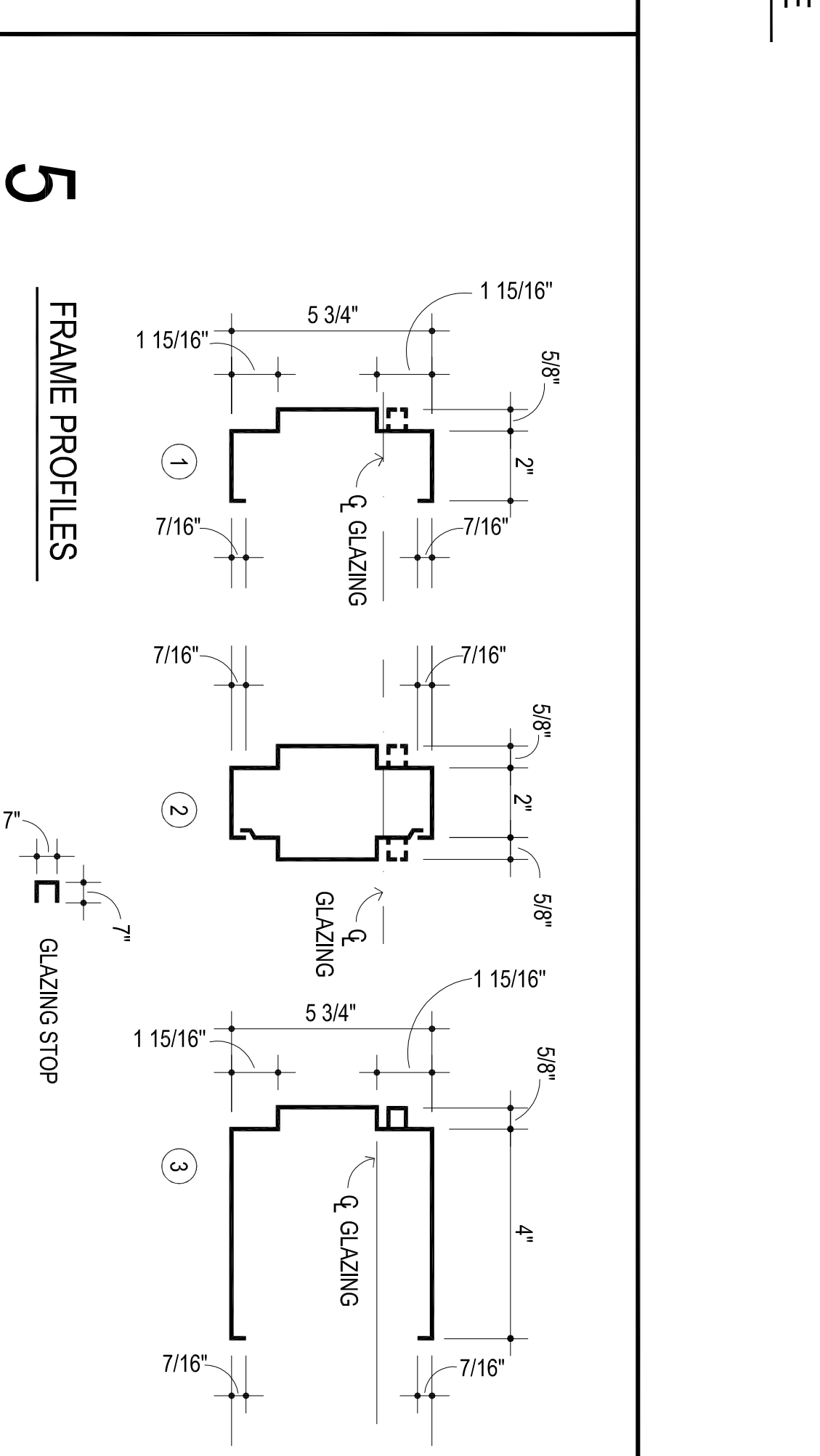
ACGP
the Abia Griffin Partnership L.L.C.
201 N. BROADWAY
SUITE 210
MOORE, OK. 73160
405.735.3477
ACGP@theACGP.net
www.theACGP.net

KFC ENGINEERING
STRUCTURAL
SALUS O'BRIEN
MECHANICAL ELECTRICAL

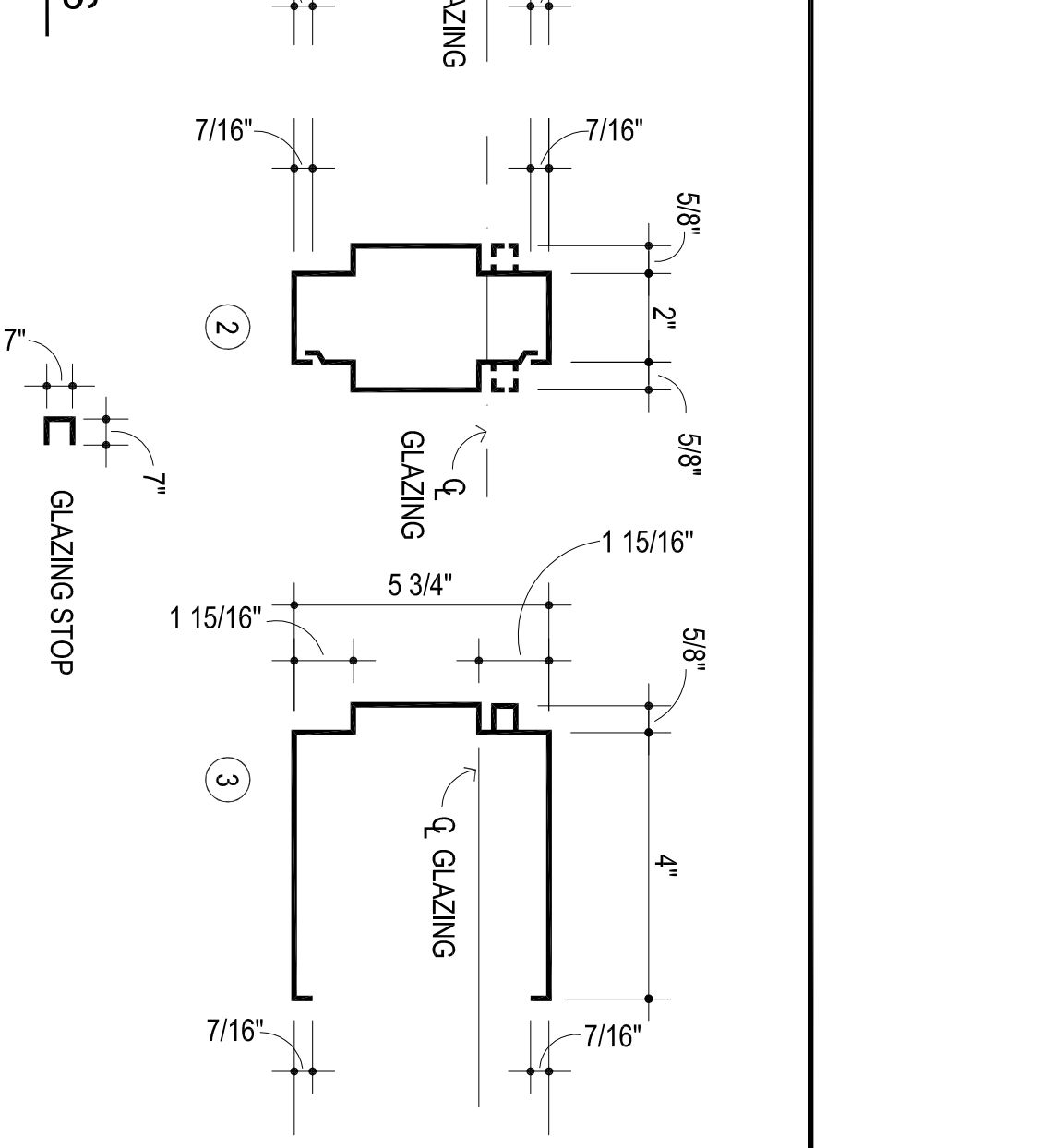


3/12/23

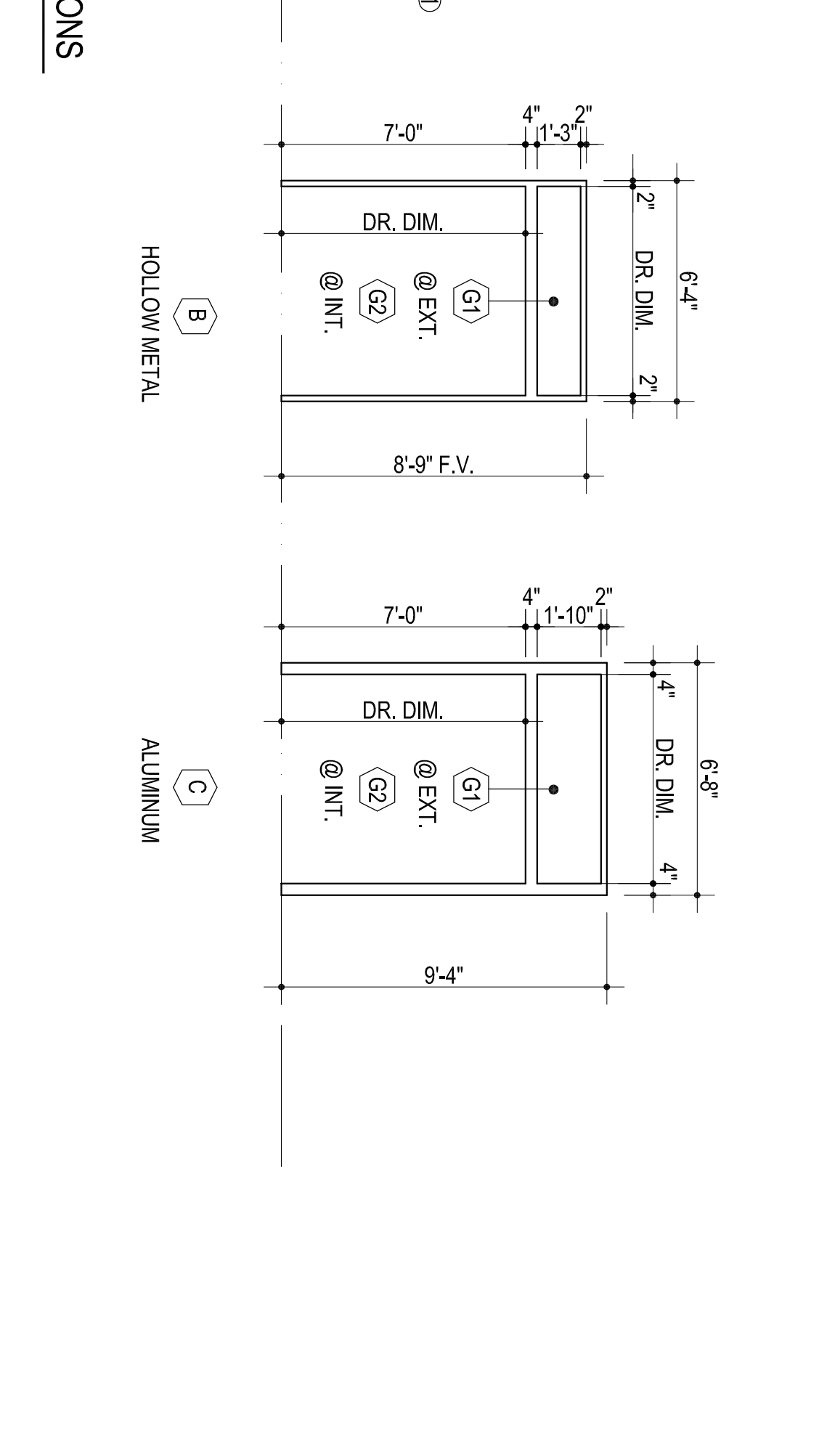
3 DOOR SCHEDULE



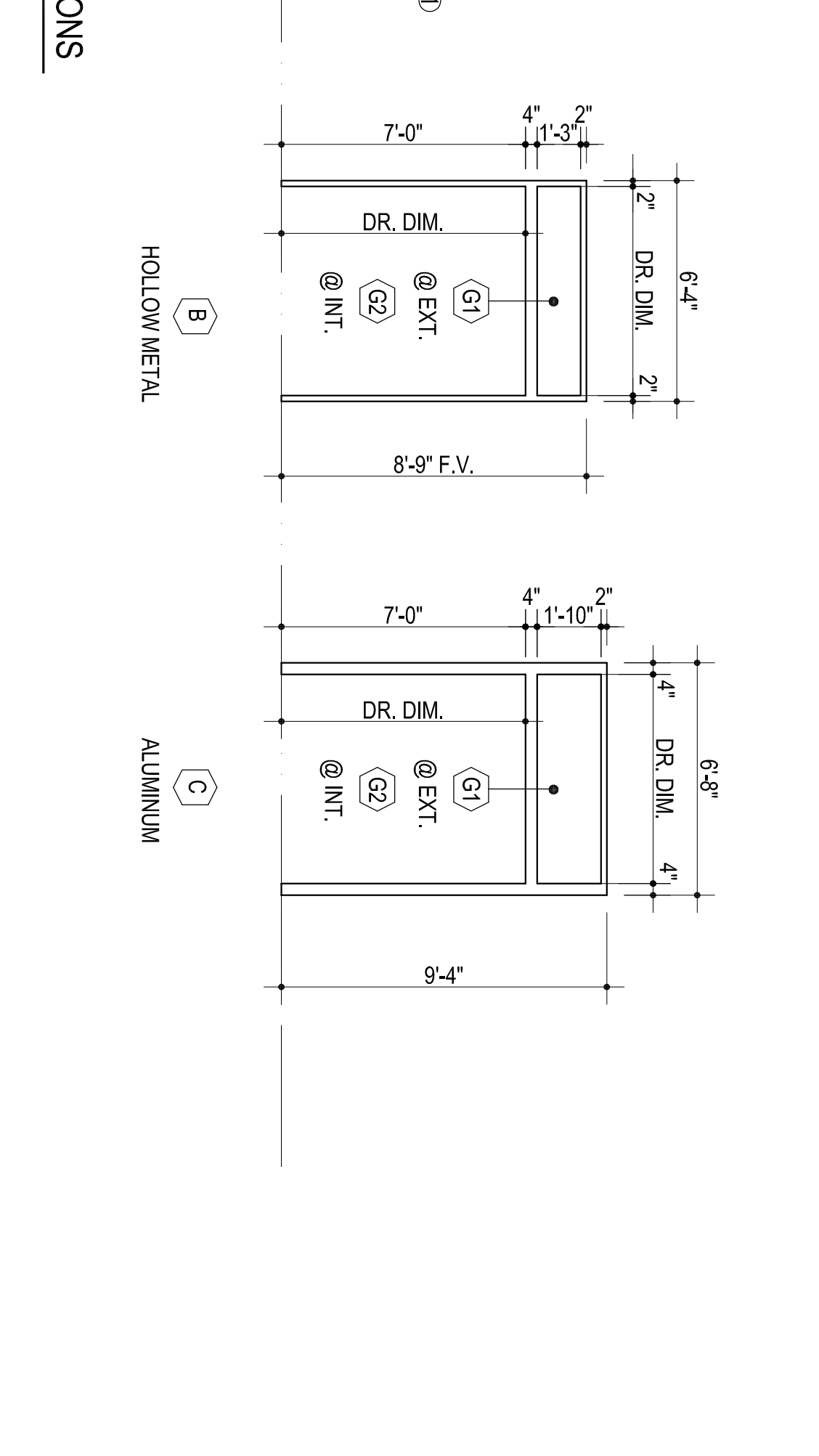
4 GLAZING SCHEDULE



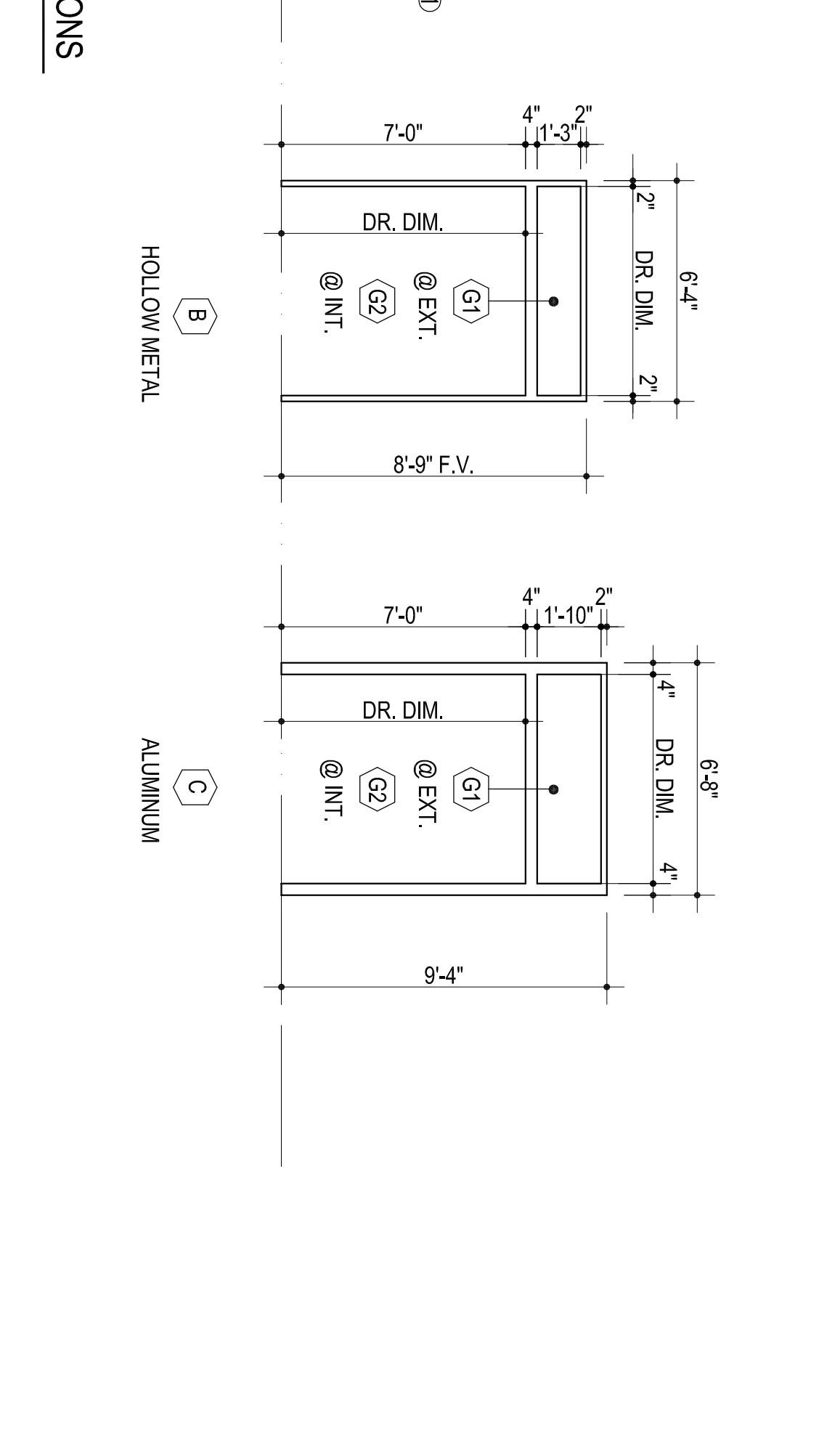
5 FRAME PROFILES



6 FRAME ELEVATIONS



7 DOOR ELEVATIONS



OFFICE ADDITION - SOUTHGATE ELEMENTARY SCHOOL

MOORE PUBLIC SCHOOLS BOARD OF EDUCATION
MOORE, OKLAHOMA

MOORE Public Schools
LEARNING FOR LIFE

CG
designed by MA
checked by MARCO 2/22/23
date 08/18
revisions

OWNERSHIP USE OF DOCUMENTS:
ACGP EXPRESSLY RESERVES ITS COPYRIGHT AND OTHER PROPERTY RIGHTS OF ALL PLANS AND DRAWINGS DESIGNED AND/OR PRODUCED HEREON. ANY REPRODUCTION OR TRANSMISSION OF ANY PART OF THESE PLANS WITHOUT THE EXPRESSED WRITTEN CONSENT OF ACP.

Sheet No. **A601**