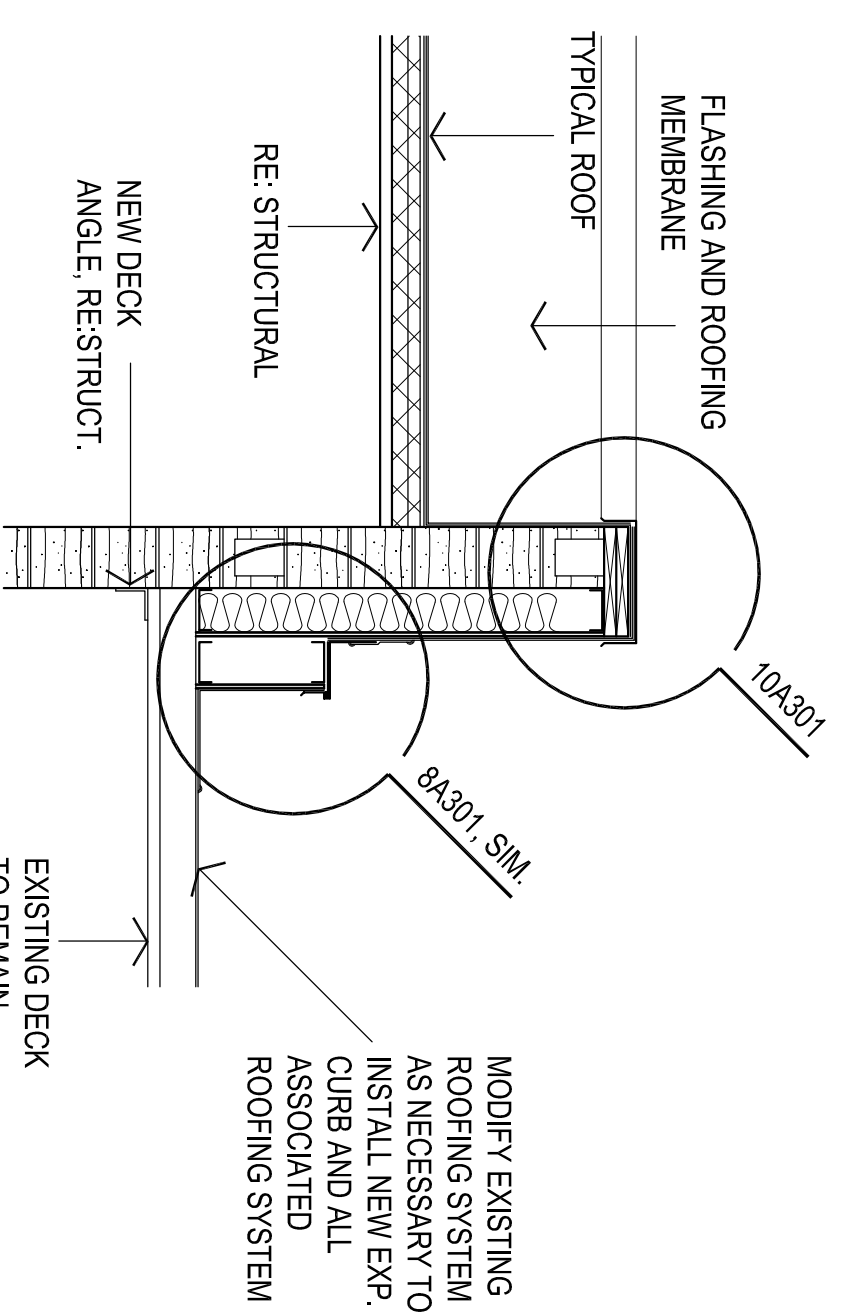
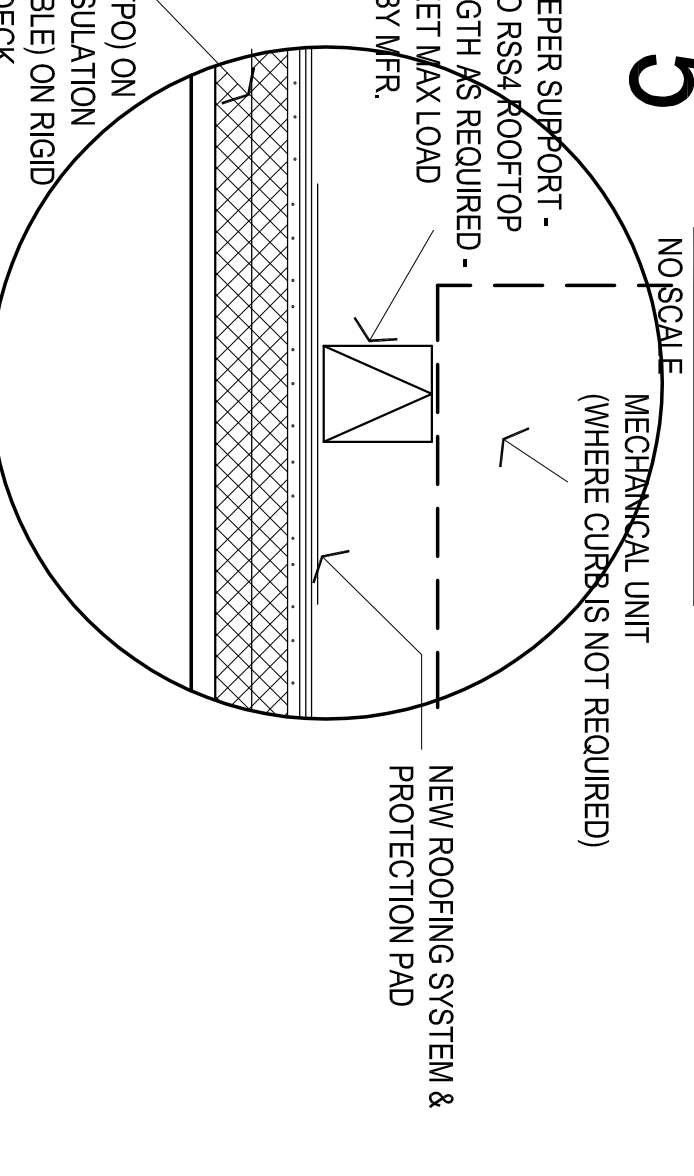
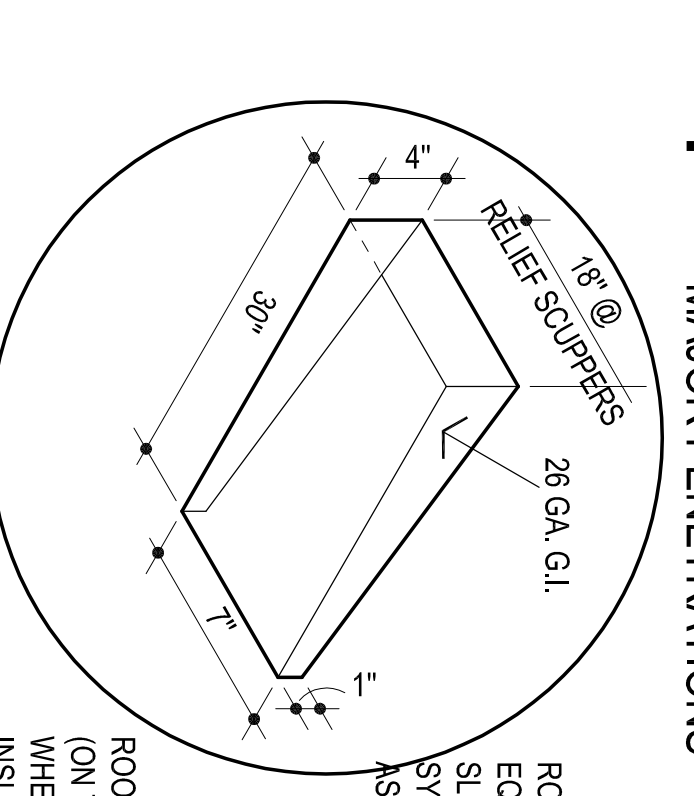
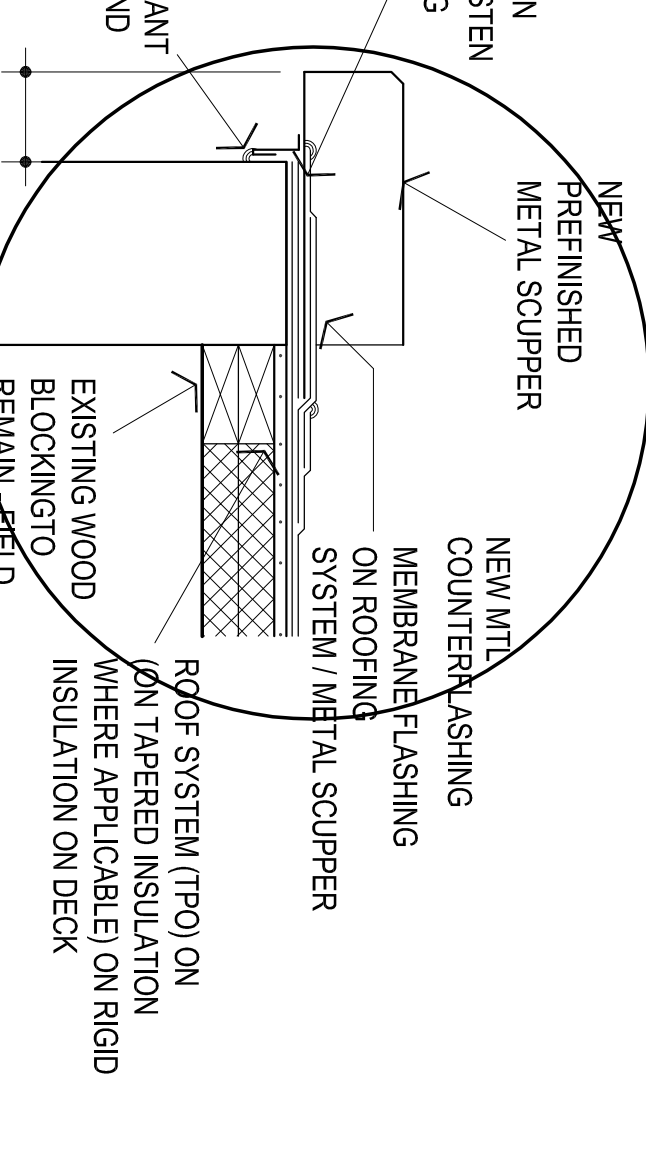
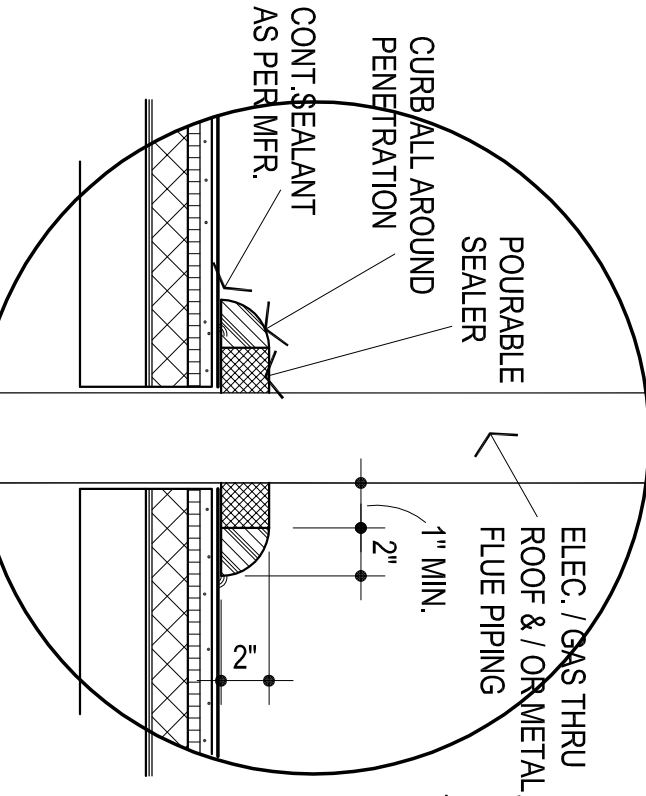
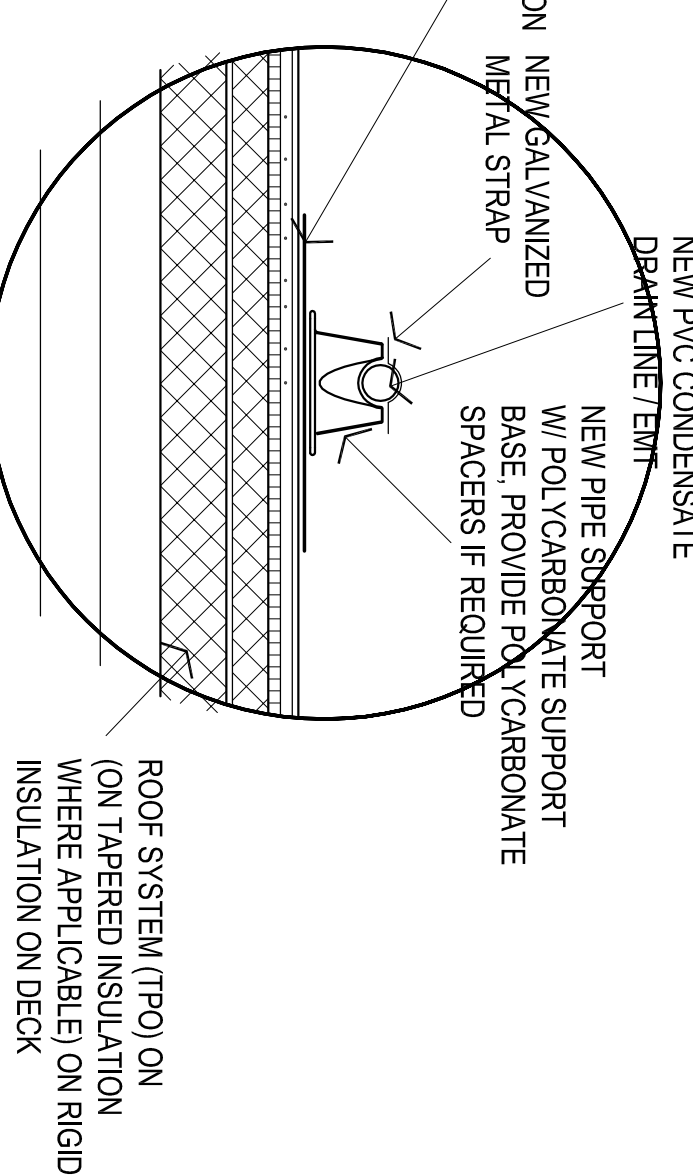
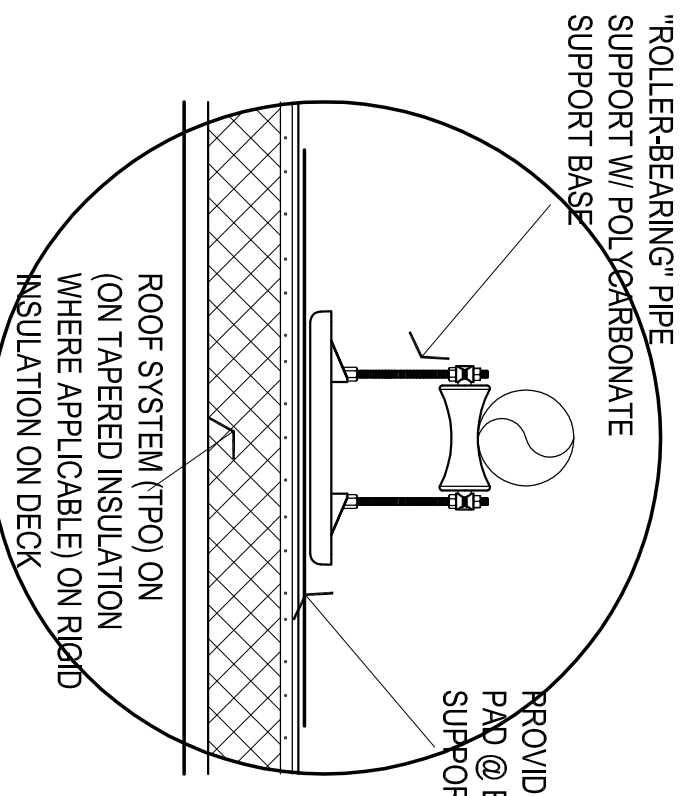


- NOTES:
1. RE: MECH & ELEC. FOR ADDITIONAL ROOF MOUNTED ITEMS. CONTRACTOR TO COORDINATE ALL ROOF MOUNTED ITEMS & PENETRATIONS W/ APPLICABLE TRADES. PROVIDE "CRICKETS" AT HIGH SIDE OF ALL CURBS.
 2. REROUTE EXISTING GAS LINES AS REQUIRED FOR NEW ADDITION & NEW ROOFING. PROVIDE ALL MATERIALS AS REQUIRED FOR A COMPLETE AND WATER TIGHT INSTALLATION.



8 WALL SECTION
1/2" = 1'-0"