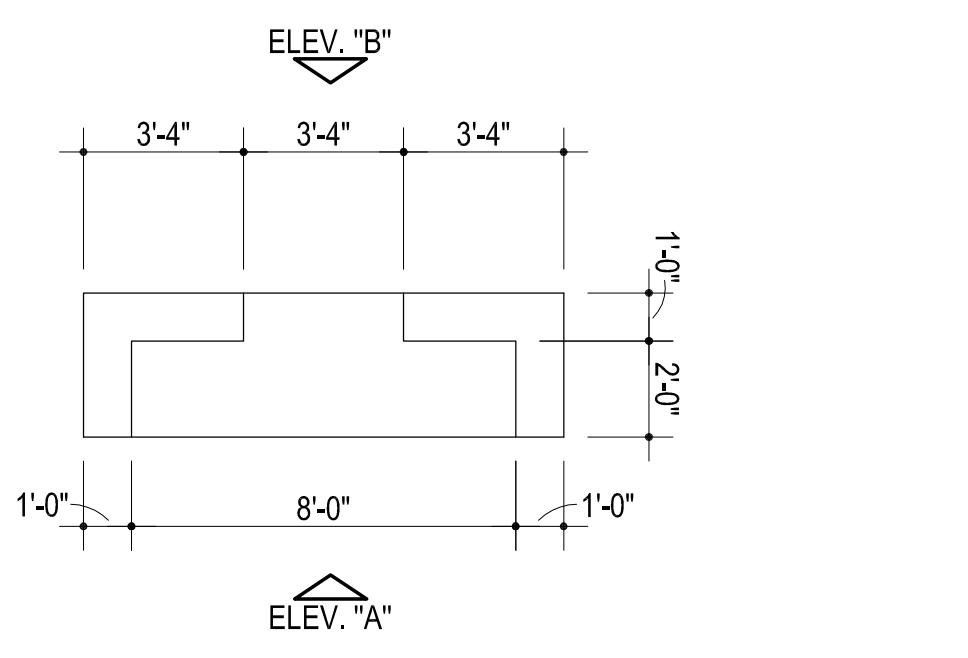


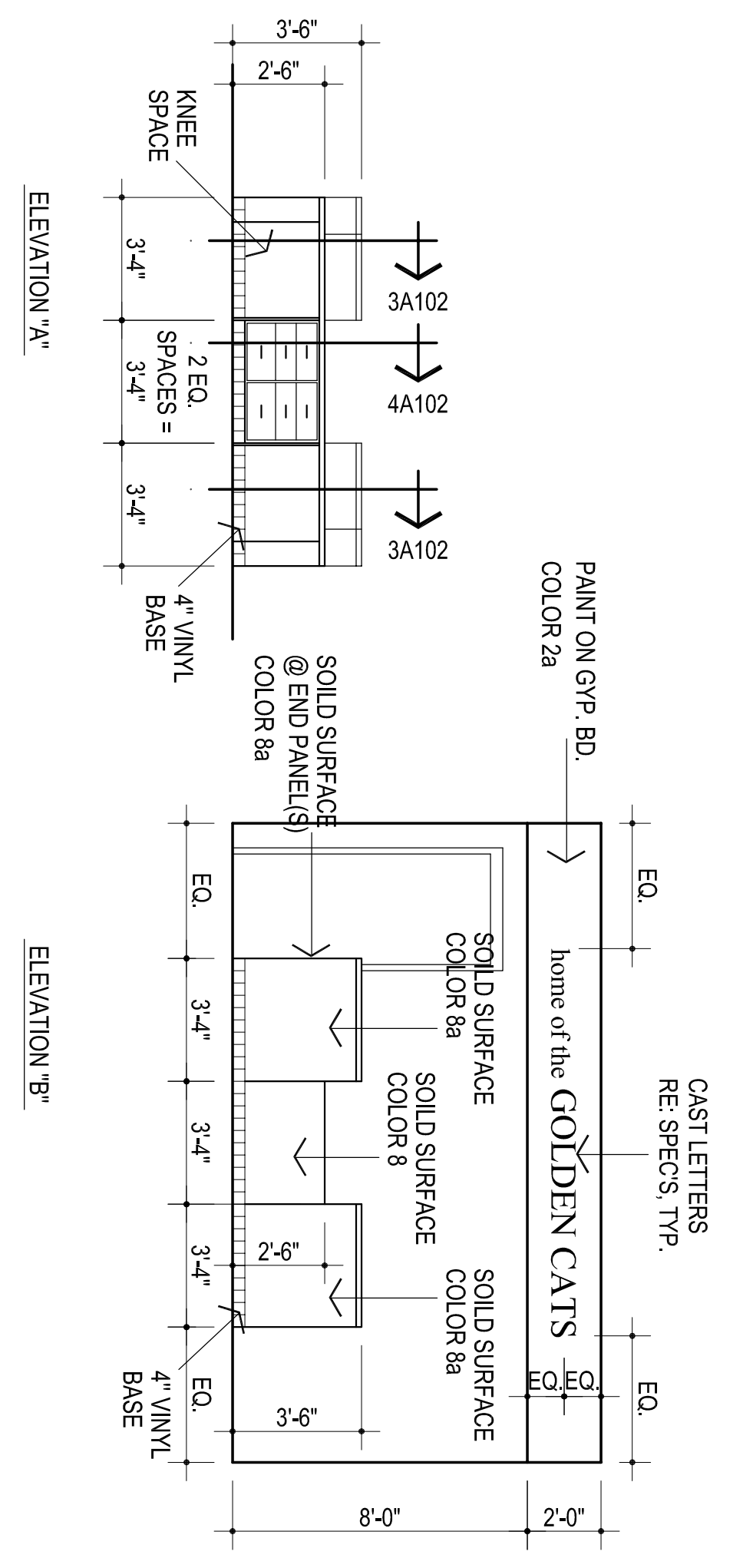
1 FLOOR PLAN
1/8" = 1'-0"
963 sq. ft.

DENOTES ROOM NAME
 CLASSROOM
 DENOTES ROOM NUMBER
 DENOTES DOOR NUMBER

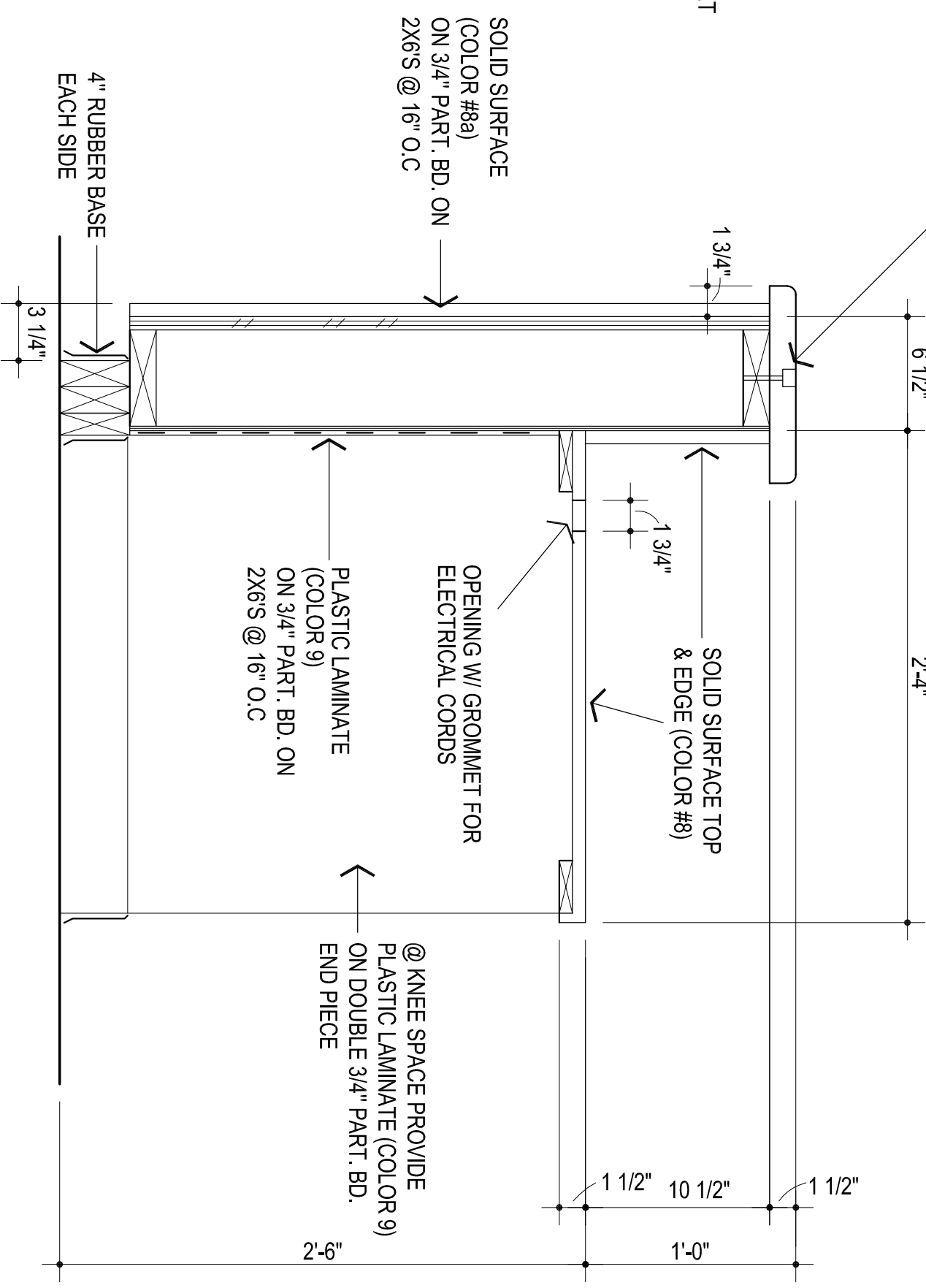
- MISCELLANEOUS NOTES:
1. F.E.C. - FIRE EXTINGUISHER AND CABINET
 2. EXISTING COLUMNS TO REMAIN PAINT TO MATCH NEW WALLS



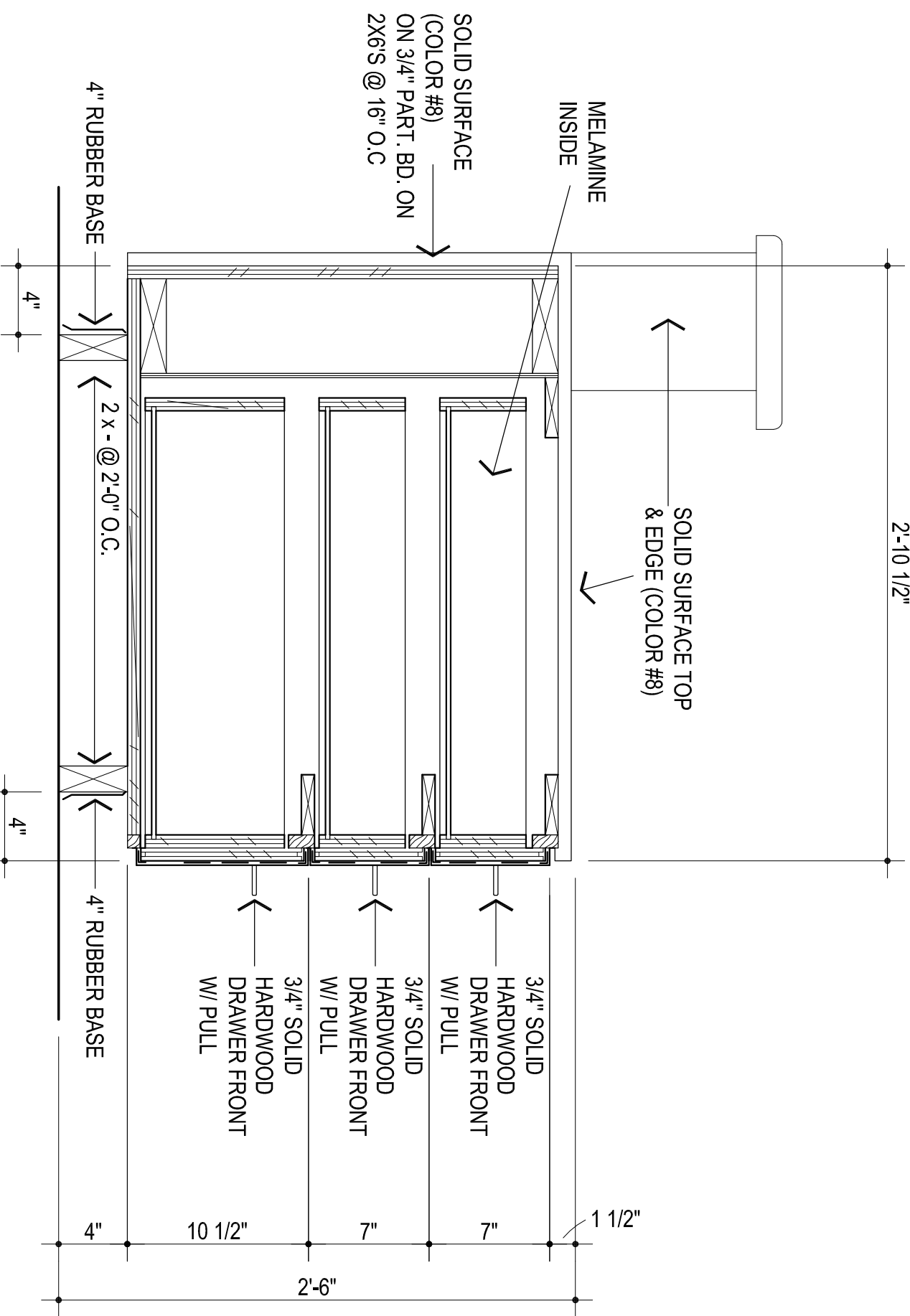
2 MILLWORK ROOM #3
1/4" = 1'-0"



1x12 SOLID RED OAK CAP -
 EASE ALL EXPOSED CORNERS
 COUNTER SINK ANCHOR TO SUBFRAMING
 & PLUG W/ MATCHING MATERIAL
 PROVIDE @ 16" O.C.



3 SECTION @ COUNTER
1 1/2" = 1'-0"



4 SECTION @ COUNTER
1 1/2" = 1'-0"



the Abla Griffin Partnership L.L.C.

201 N. BROADWAY
 SUITE 210
 MOORE, OK. 73160
 405.735.3477
 ACP@theACG.net
 www.theACG.net

KFC ENGINEERING
 STRUCTURAL
 SALUS O'BRIEN
 MECHANICAL ELECTRICAL



CG
 drawn by
 MA
 checked by
 MARCO 2/22
 08/8
 revisions

MOORE PUBLIC SCHOOLS
 BOARD OF EDUCATION
 MOORE, OKLAHOMA
 LEARNING FOR LIFE
 MOORE Public Schools

OFFICE
 ADDITION -
 SOUTHGATE
 ELEMENTARY SCHOOL

A102

Sheet No.

OWNERSHIP USE OF DOCUMENTS:
 ACP EXPRESSLY RESERVES ITS
 COPYRIGHT AND OTHER PROPERTY
 RIGHTS OF ALL PLANS AND DRAWINGS
 DESIGNED AND/OR PRODUCED HEREIN
 REPRODUCED IN ANY FORM OR MANNER
 WITHOUT THE EXPRESSED WRITTEN
 CONSENT OF ACP.