



CG
drawn by
MA
checked by
JANUARY 2022
date
revisions
2-10-2022

MOORE PUBLIC SCHOOLS
BOARD OF EDUCATION
MOORE, OKLAHOMA

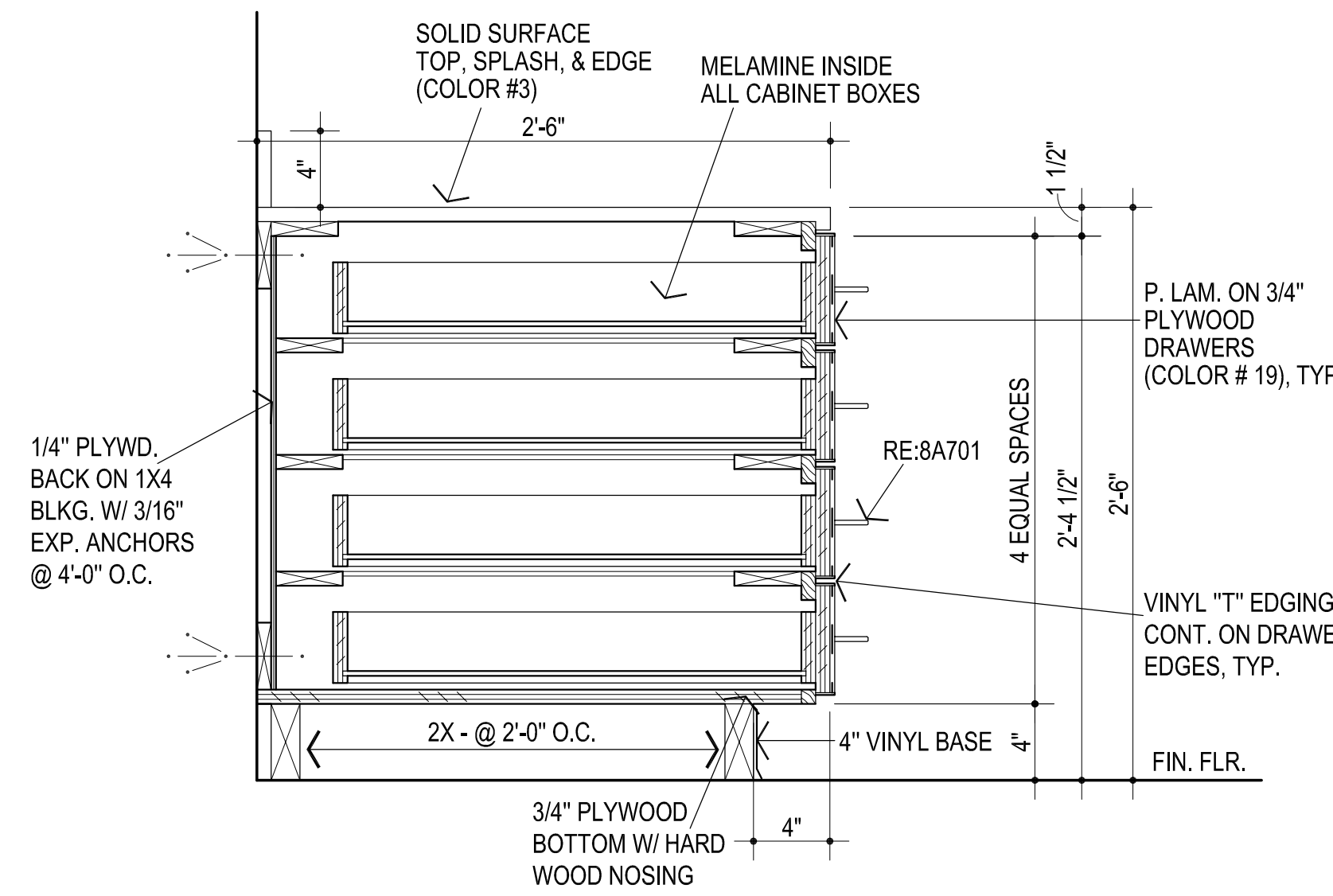


SOONER
ELEMENTARY SCHOOL
2022 MILLWORK
REPLACEMENT

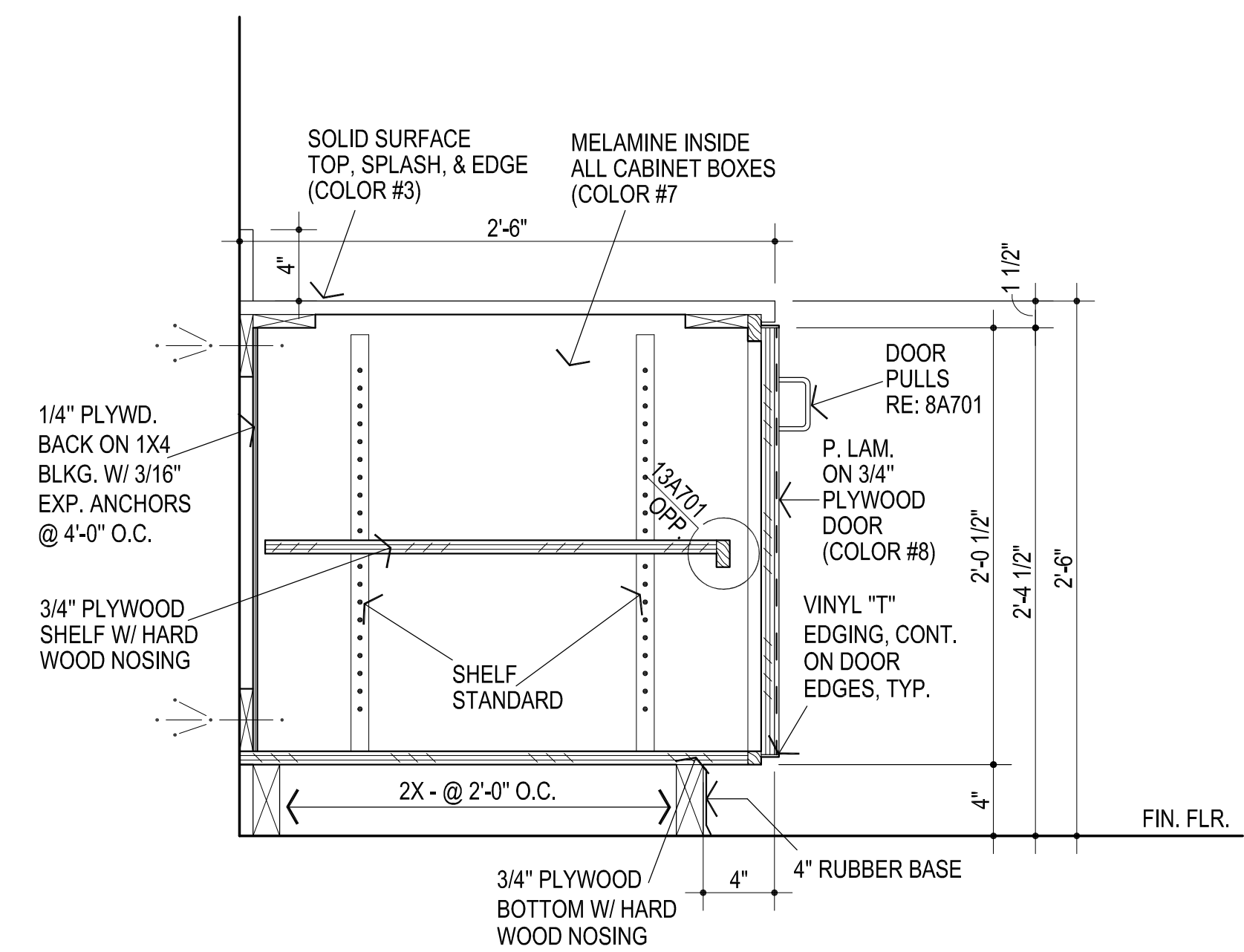
sheet no:

A701

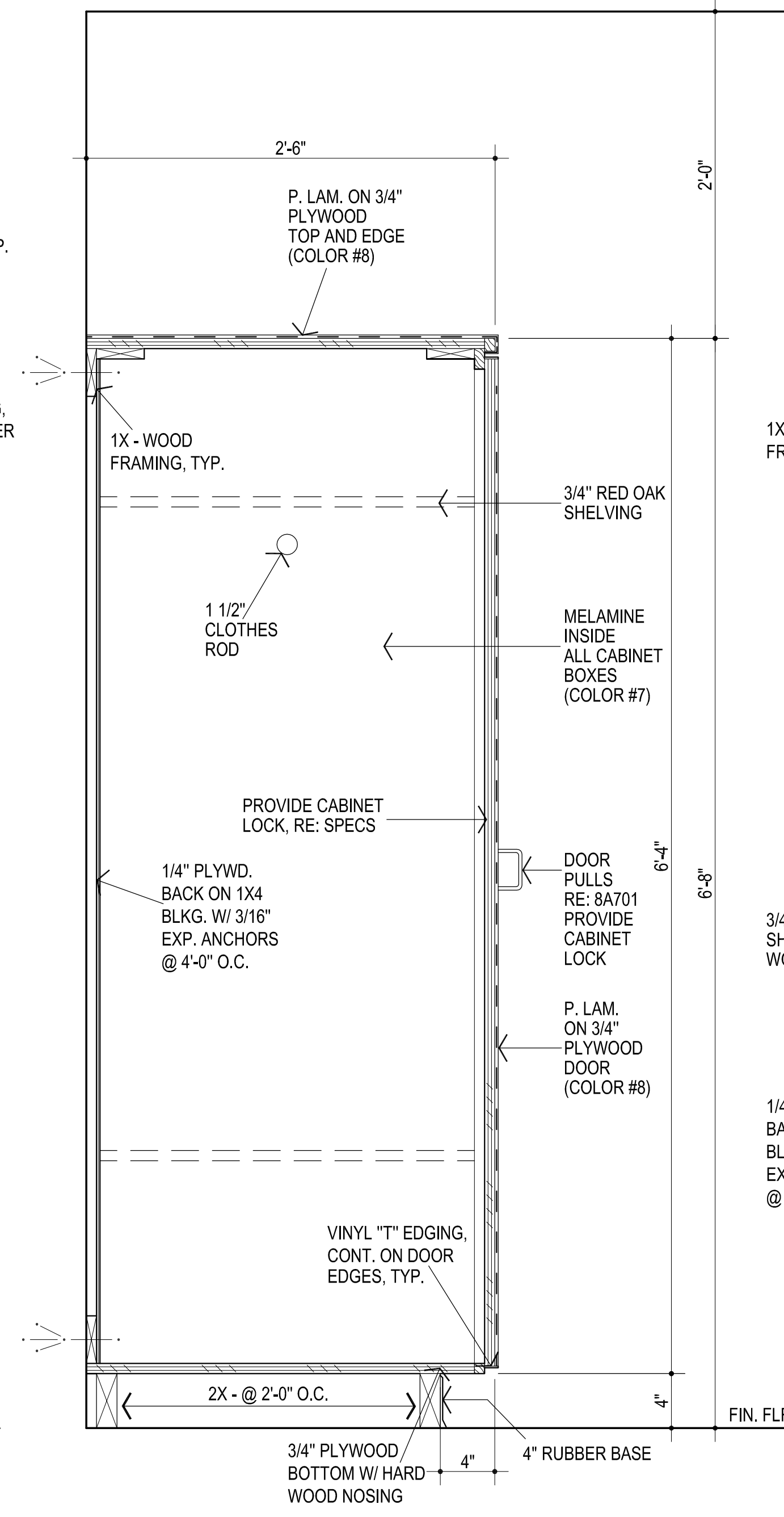
OWNERSHIP USE OF DOCUMENTS:
AGP EXPRESSLY RESERVES ITS
COPYRIGHT AND OTHER PROPERTY
RIGHTS OF ALL PLANS AND DRAWINGS
DESIGNED AND/OR PRODUCED. PLANS
AND DRAWINGS ARE NOT TO BE
REPRODUCED IN ANY FORM OR MANNER
WITHOUT THE EXPRESSED WRITTEN
CONSENT OF AGP.



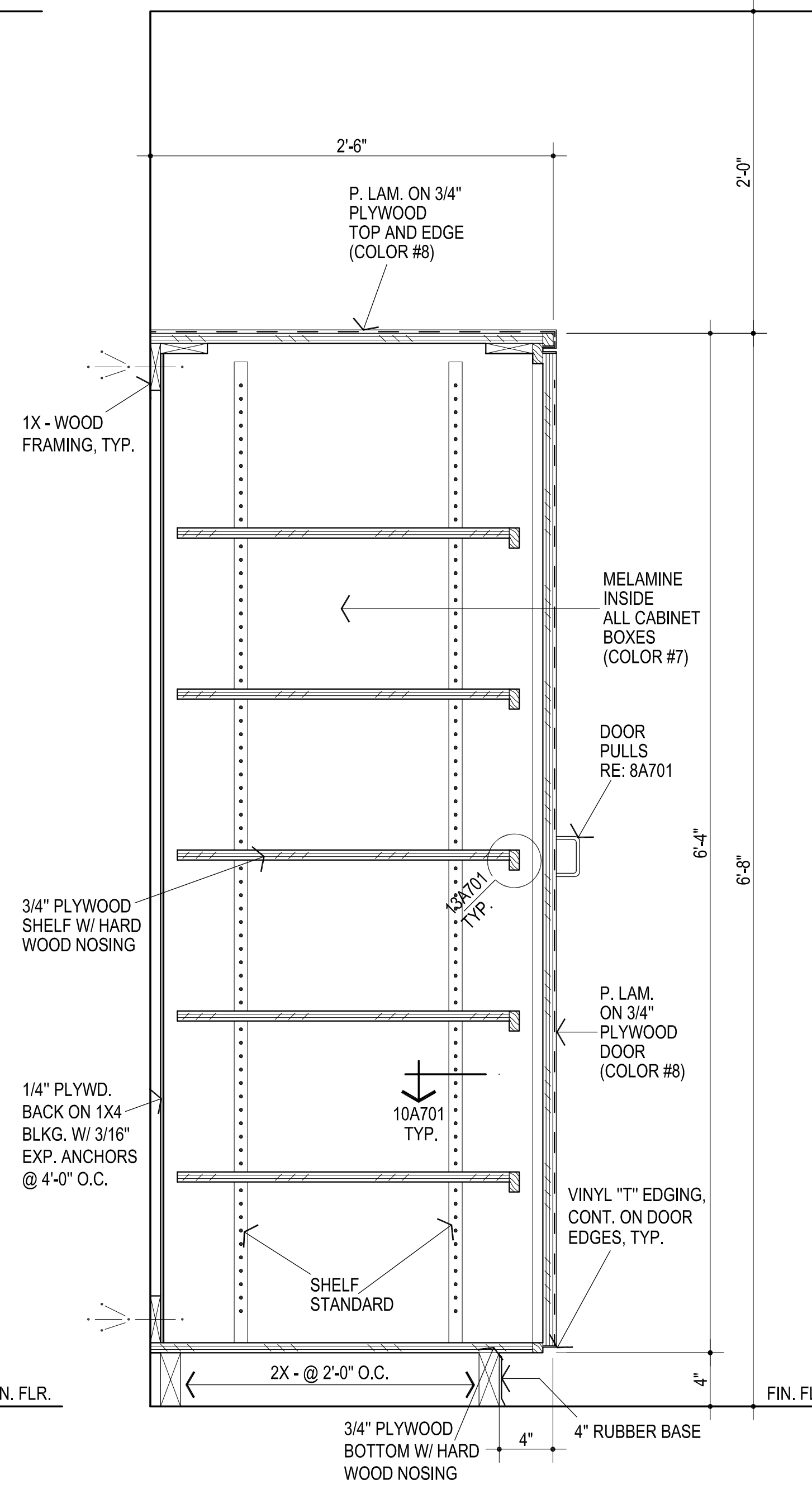
1 BASE CABINET W/DRAWERS
1 1/2" = 1'-0"



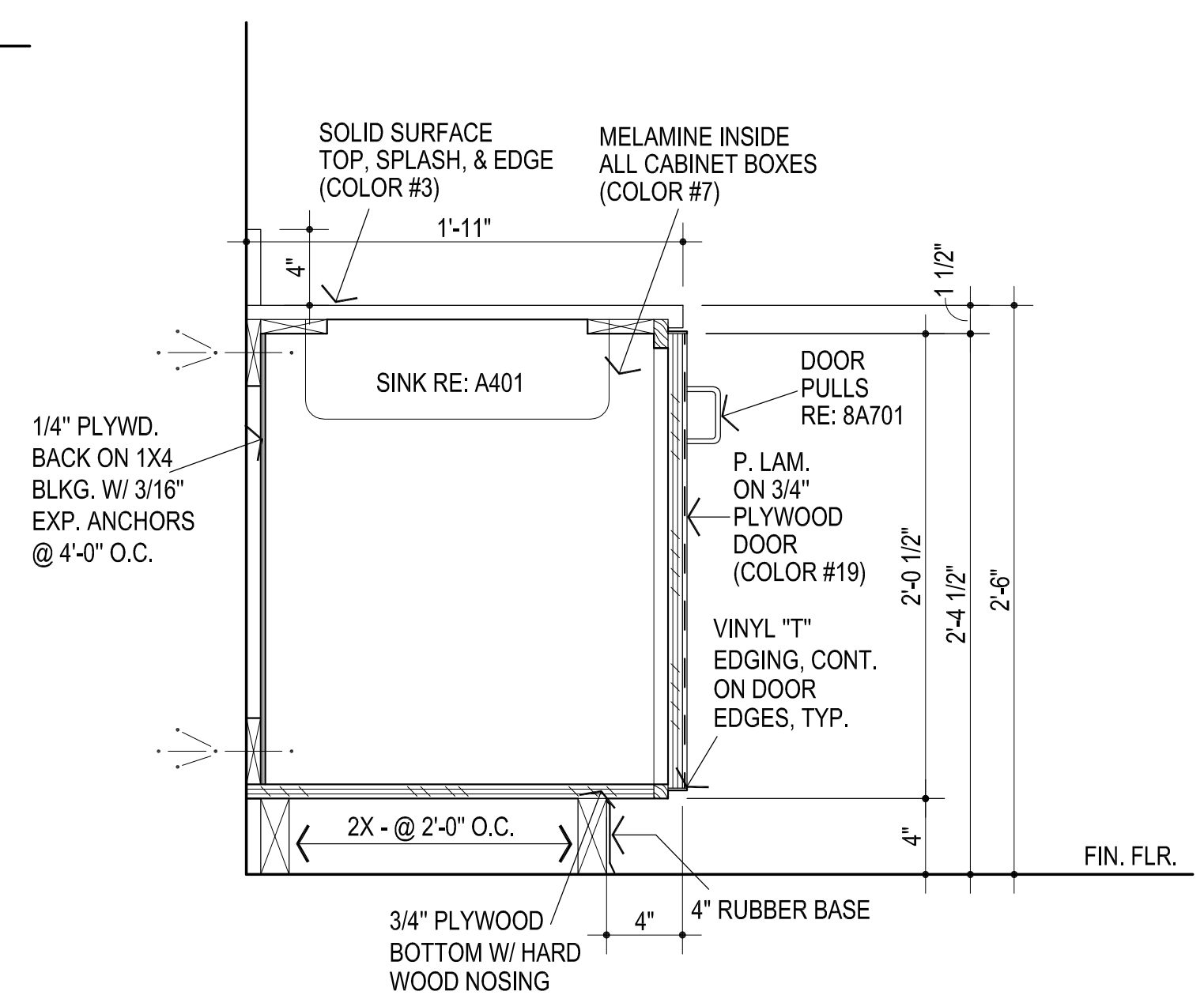
2 BASE CABINET
1 1/2" = 1'-0"



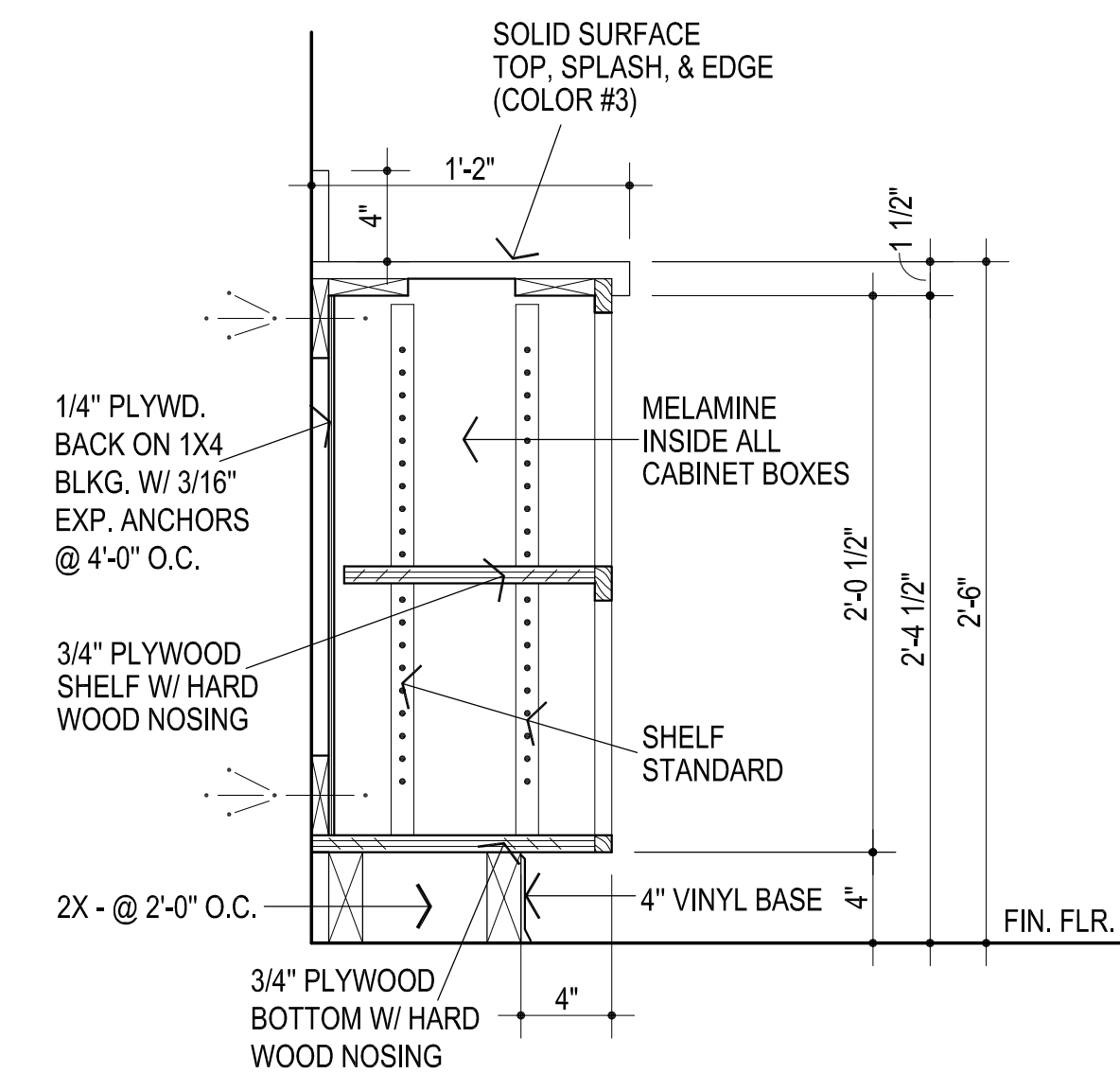
3 TEACHER'S CABINET
1 1/2" = 1'-0"



4 TALL CABINET
1 1/2" = 1'-0"

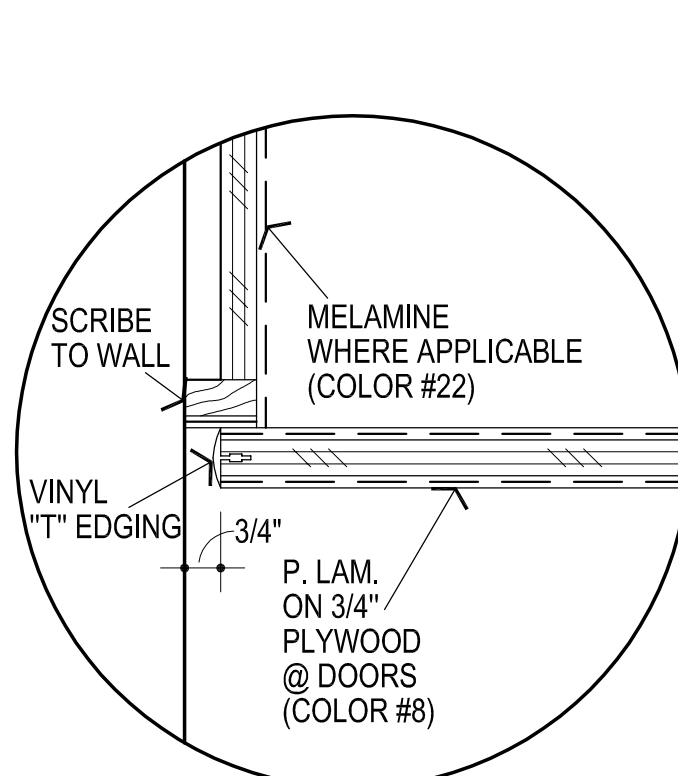


5 SINK SECTION
1 1/2" = 1'-0"

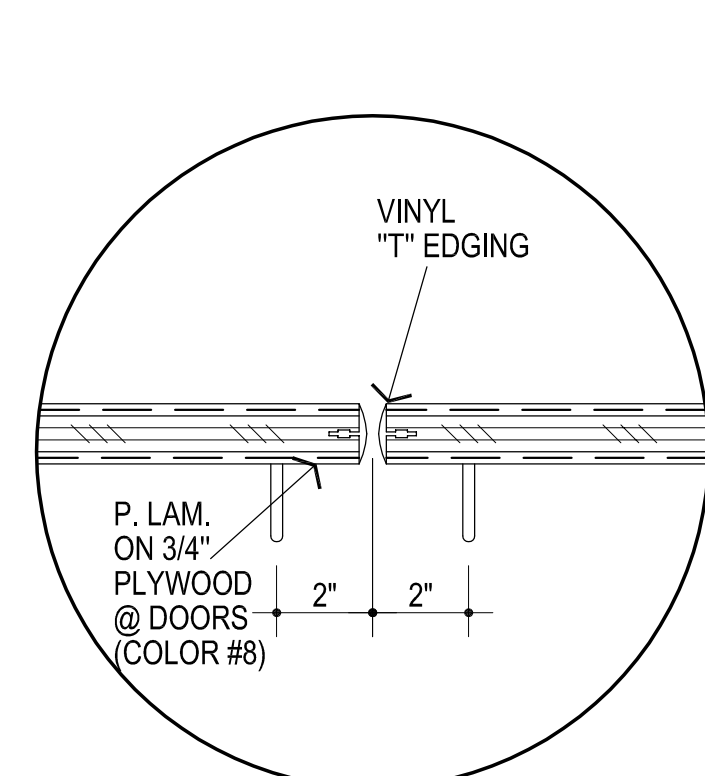


6 BASE CABINET W/ SHELVES
1 1/2" = 1'-0"

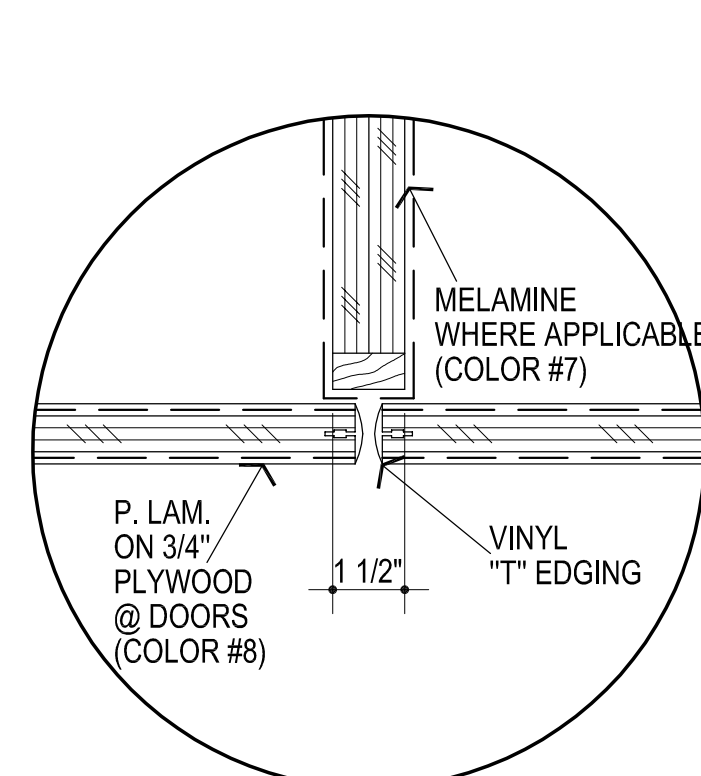
FRAMELESS CABINET / EUROPEAN
CONSTRUCTION IS ACCEPTABLE



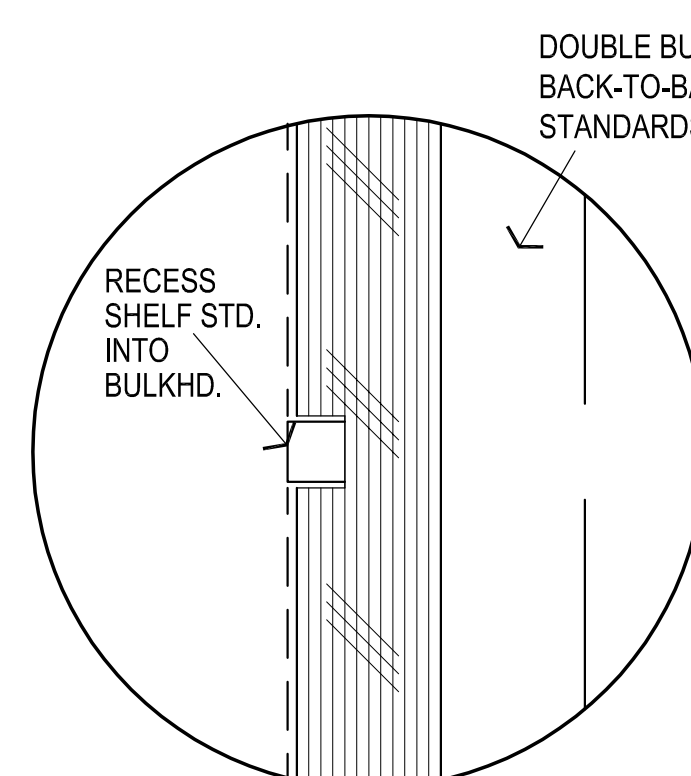
7 DOOR @ WALL



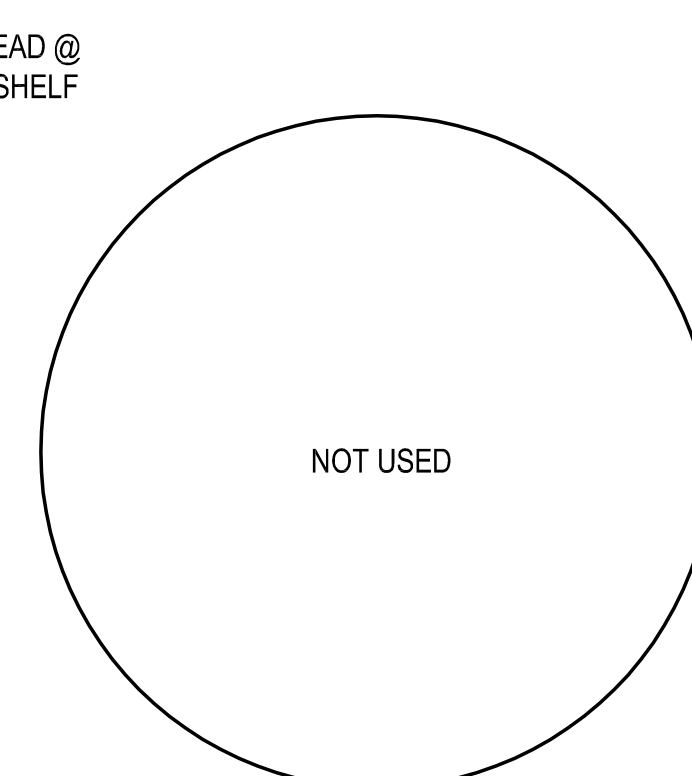
8 PULLS



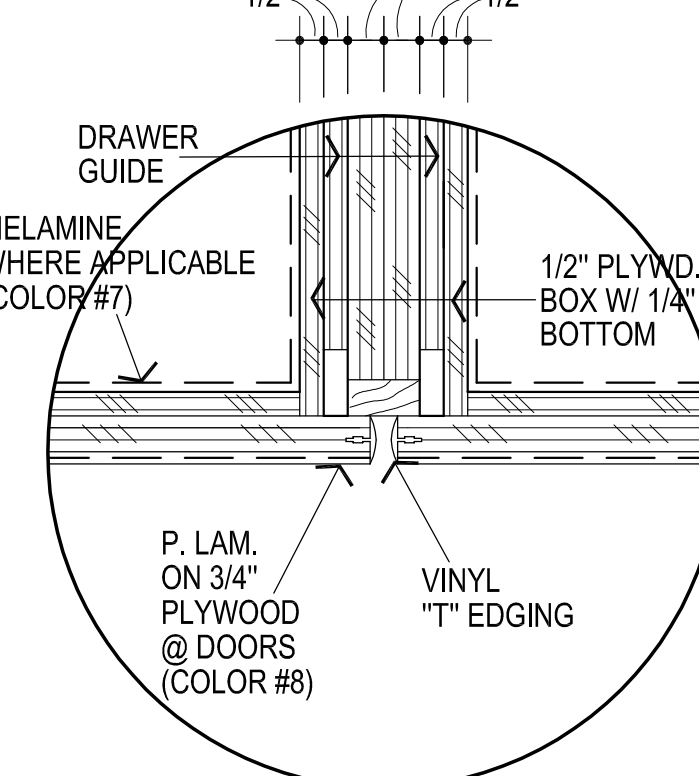
9 DOORS @ STILE



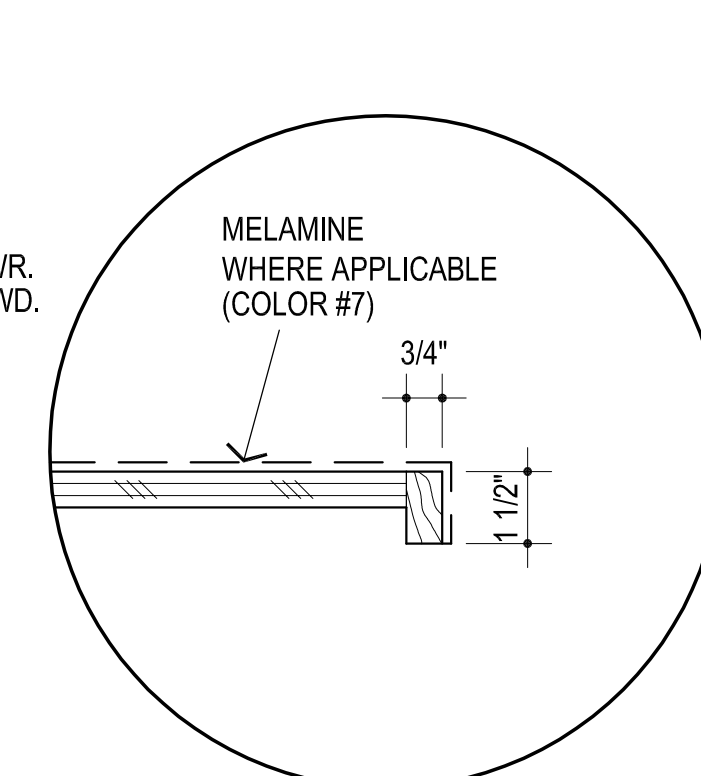
10 RECESSED STANDARDS



11 NOT USED



12 DRWR. TO DRWR.



13 SHELF EDGE