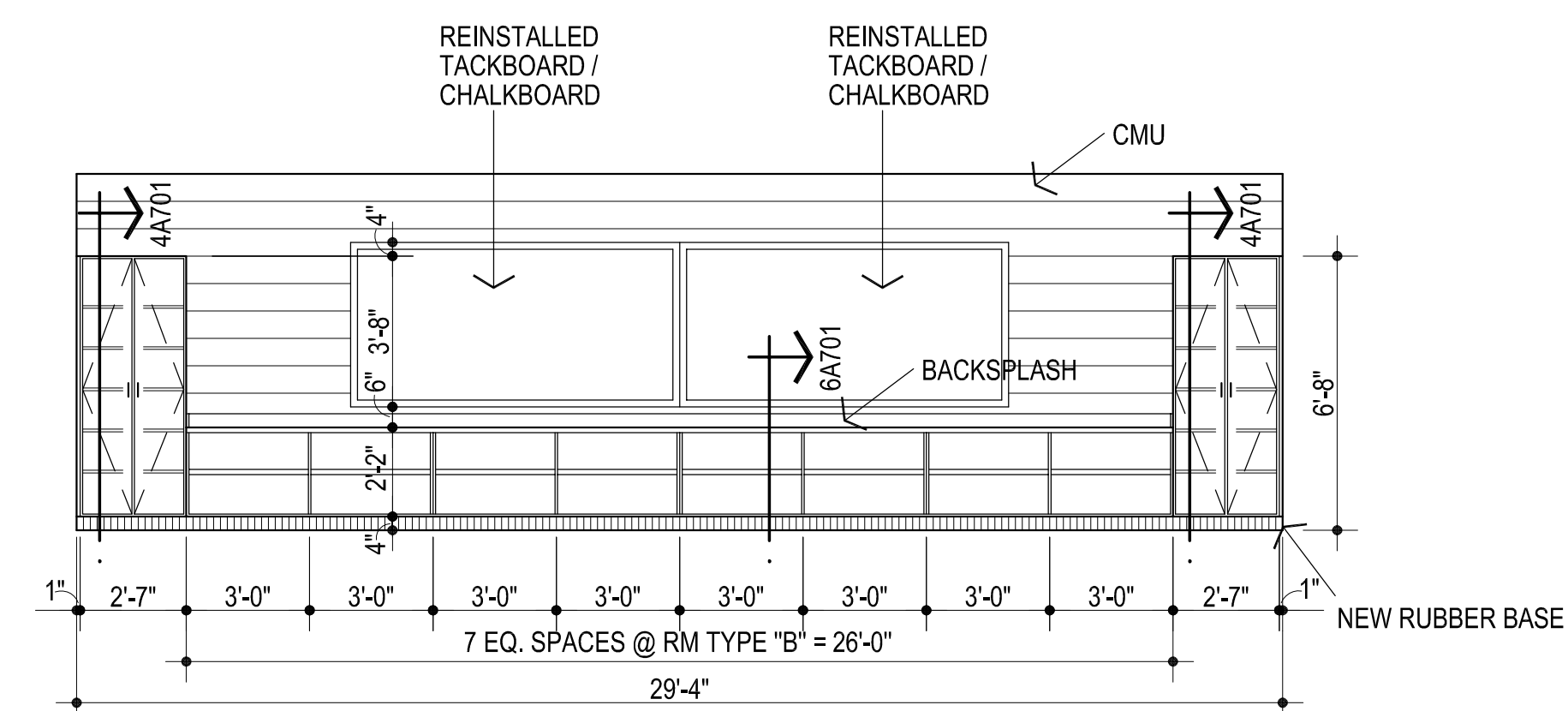
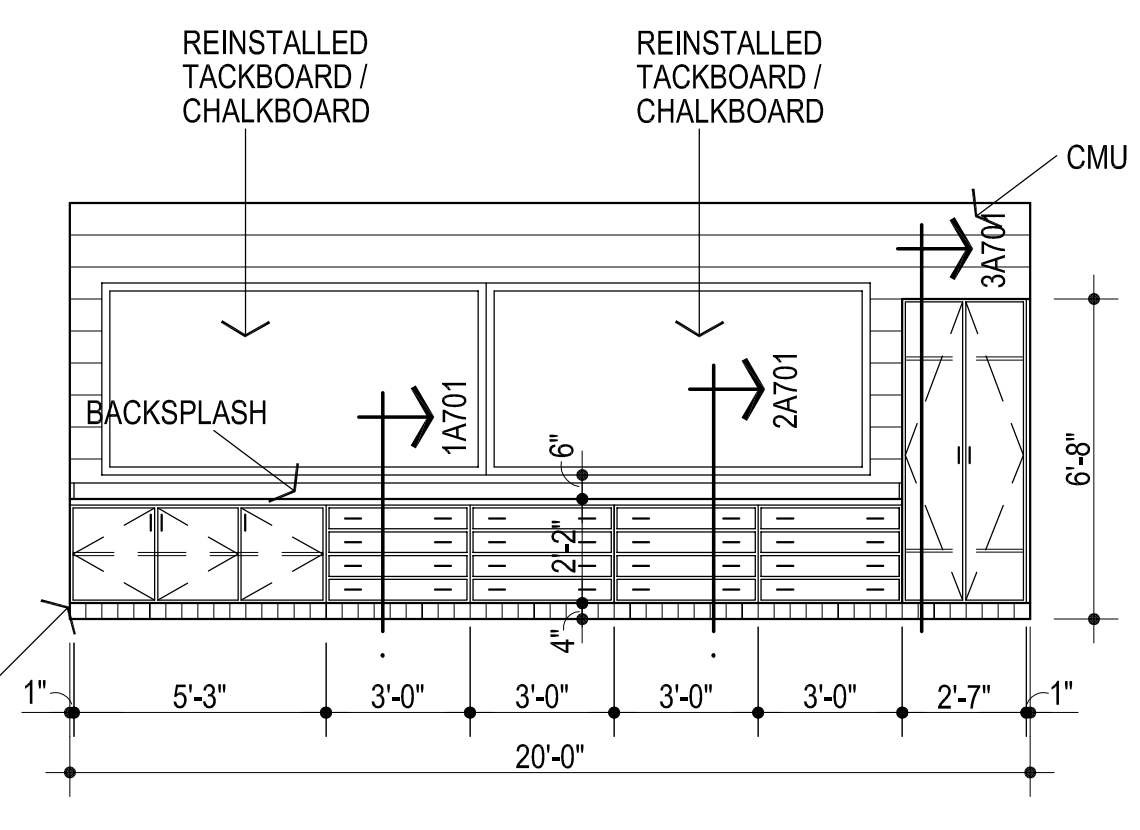


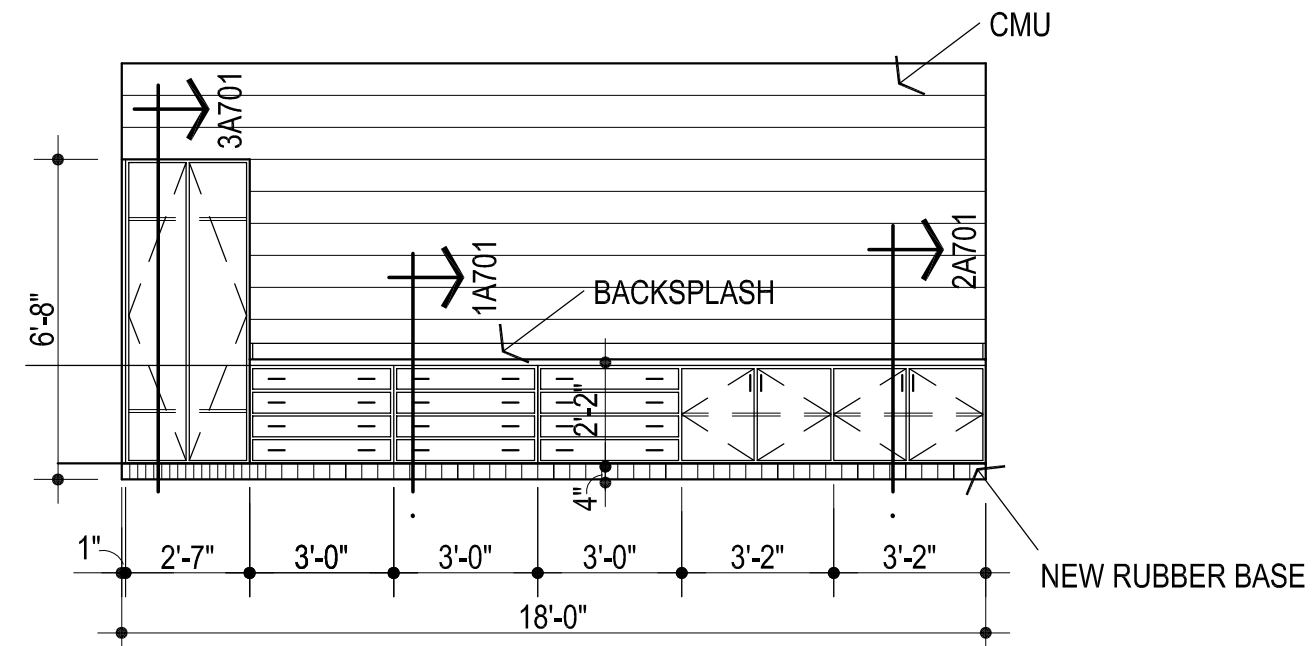
1 ELEV. @ TYP. CLASSROOM COAT RACK
1/4" = 1'-0"



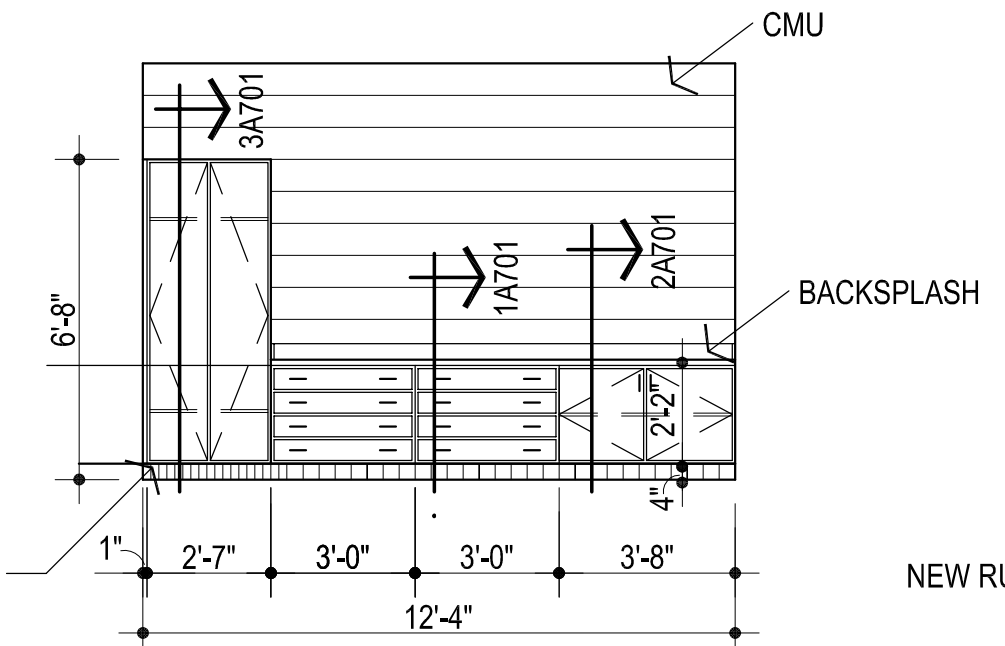
2 ELEVATION @ RM TYPE "A" & "B"
1/4" = 1'-0"



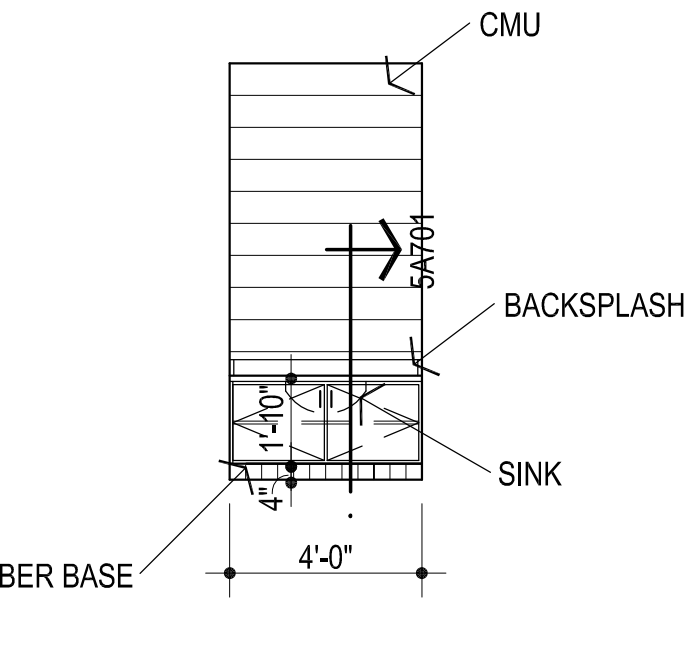
3 ELEVATION @ RM TYPE "A" & "B", OPP.
1/4" = 1'-0"



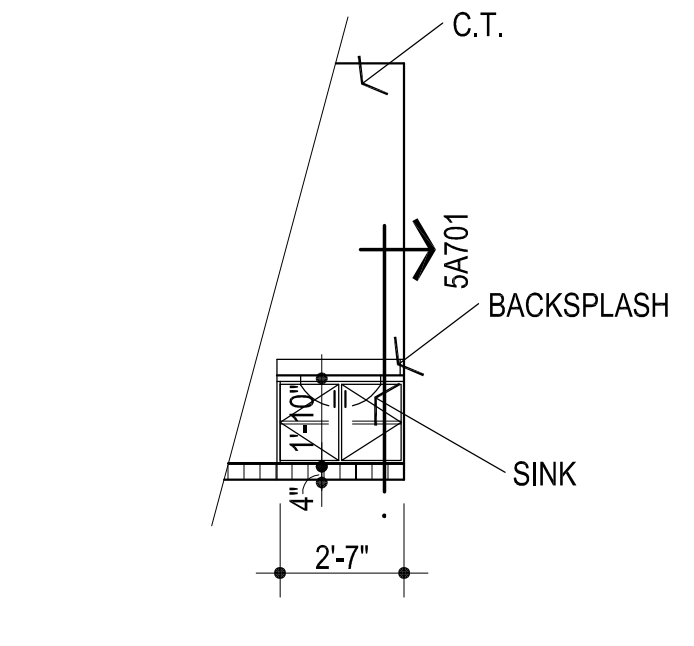
4 ELEVATION @ RM TYPE "C" & "D"
1/4" = 1'-0"



5 ELEVATION @ RM TYPE "E"
1/4" = 1'-0"

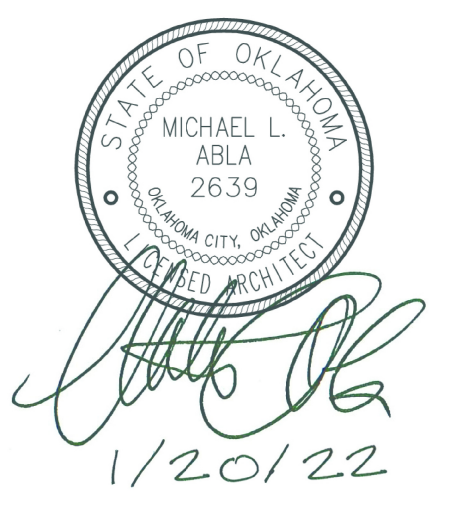


6 ELEVATION @ CLASSROOM - 3 LOCATIONS
1/4" = 1'-0"



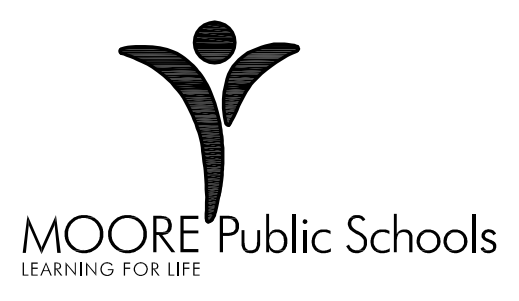
7 ELEVATION @ TOILET - 6 LOCATIONS
1/4" = 1'-0"

SINK - 9 TOTAL :
ELKAY MODEL DRKAD2822RC COUNTER MOUNTED
PROVIDE ROUGH-IN AS REQUIRED TO RECONNECT TO EXISTING. SINK PACKAGE WITH GOOSENECK FAUCET AT BACK, LEVER HANDLE ON LEFT SIDE CENTERED ON BOWL @ 3 LOCATIONS. LEVER HANDLE WITH GOOSENECK FAUCET AT BACK @ 6 LOCATIONS. 6" SINK DEPTH. PROVIDE ELKAY LKAD35 OFFSET STRAINER, MCGUIRE 8912 P-TRAP, BV2165CC SUPPLY STOPS. INSTALL THERMOSTATIC MIXING VALVE AS REQUIRED COORDINATE WITH ARCHITECT & OWNER.



CG	_____
drawn by	_____
MA	_____
checked by	_____
JANUARY 2022	_____
date	_____
revisions	_____
2-10-2022	_____

MOORE PUBLIC SCHOOLS
BOARD OF EDUCATION
MOORE, OKLAHOMA



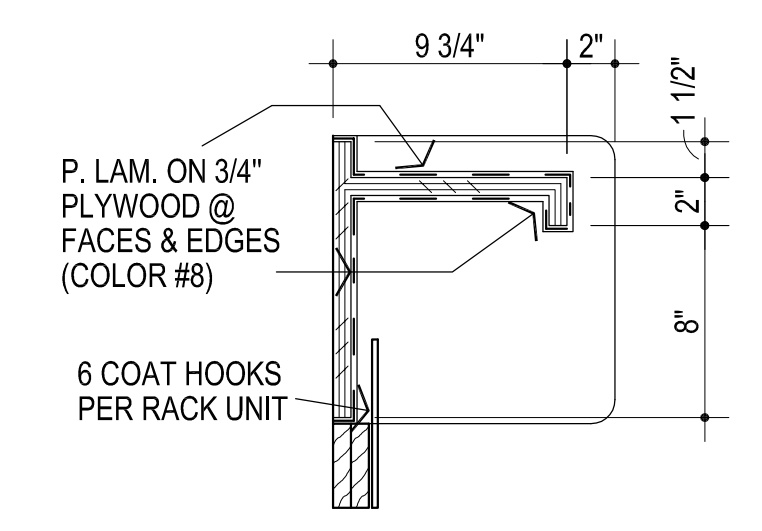
SOONER
ELEMENTARY SCHOOL
2022 MILLWORK
REPLACEMENT

sheet no:

A401

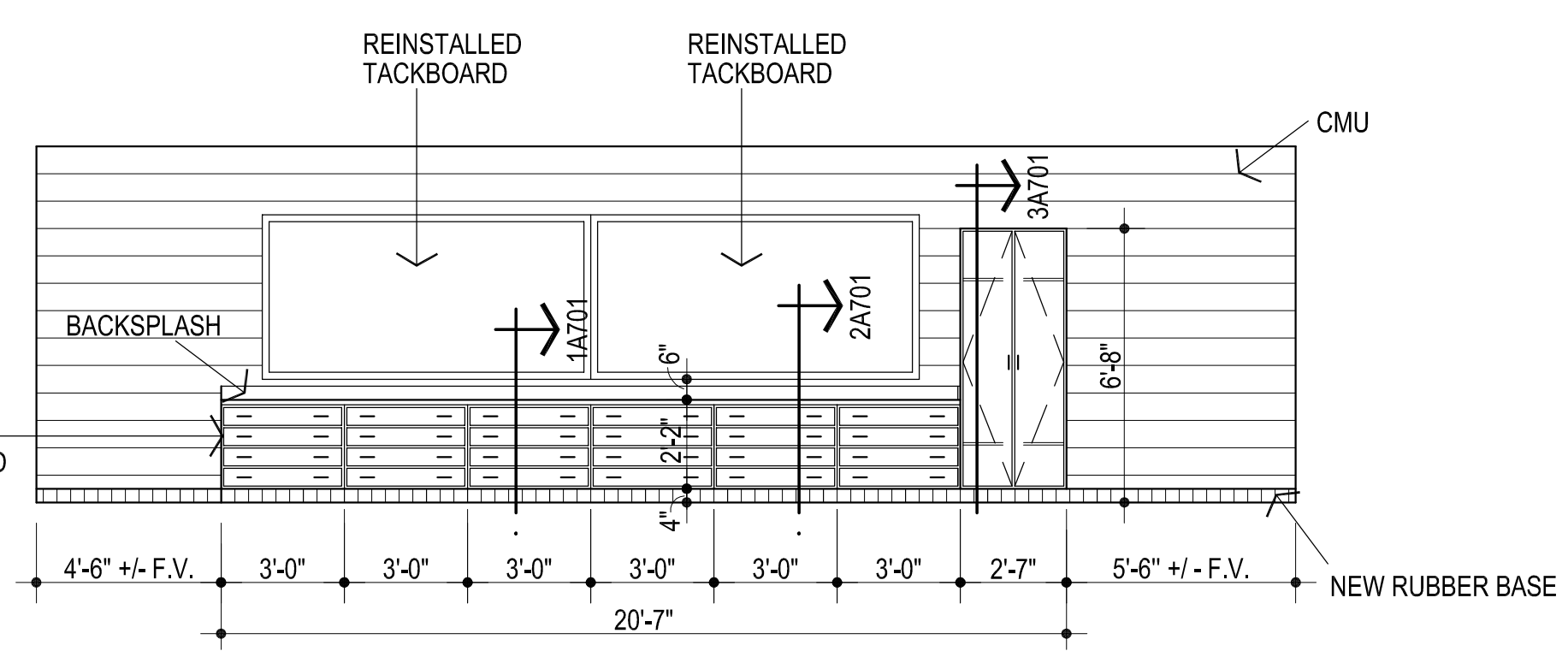
OWNERSHIP USE OF DOCUMENTS:
AGP EXPRESSLY RESERVES ITS COPYRIGHT AND OTHER PROPERTY RIGHTS OF ALL PLANS AND DRAWINGS DESIGNED AND/OR PRODUCED. PLANS AND DRAWINGS ARE NOT TO BE REPRODUCED IN ANY FORM OR MANNER WITHOUT THE EXPRESSED WRITTEN CONSENT OF AGP.

- PAINT:**
- WALLS - FIELD: MATCH EXISTING
 - NOT USED
- PREFINISHED COLORS:**
- SOLID SURFACE (COUNTERTOPS) : CORIAN - DEEP BEDROCK
 - CARPET TILES: MATCH EXISTING
 - RUBBER WALL BASE: MATCH EXISTING
 - VINYL "T" EDGING: - TO BE SELECTED FROM MFR'S STANDARD COLORS
 - MELAMINE: WHITE
 - PLASTIC LAMINATE (FACING AND EDGING) : WILSONART - MONTICELLO MAPLE

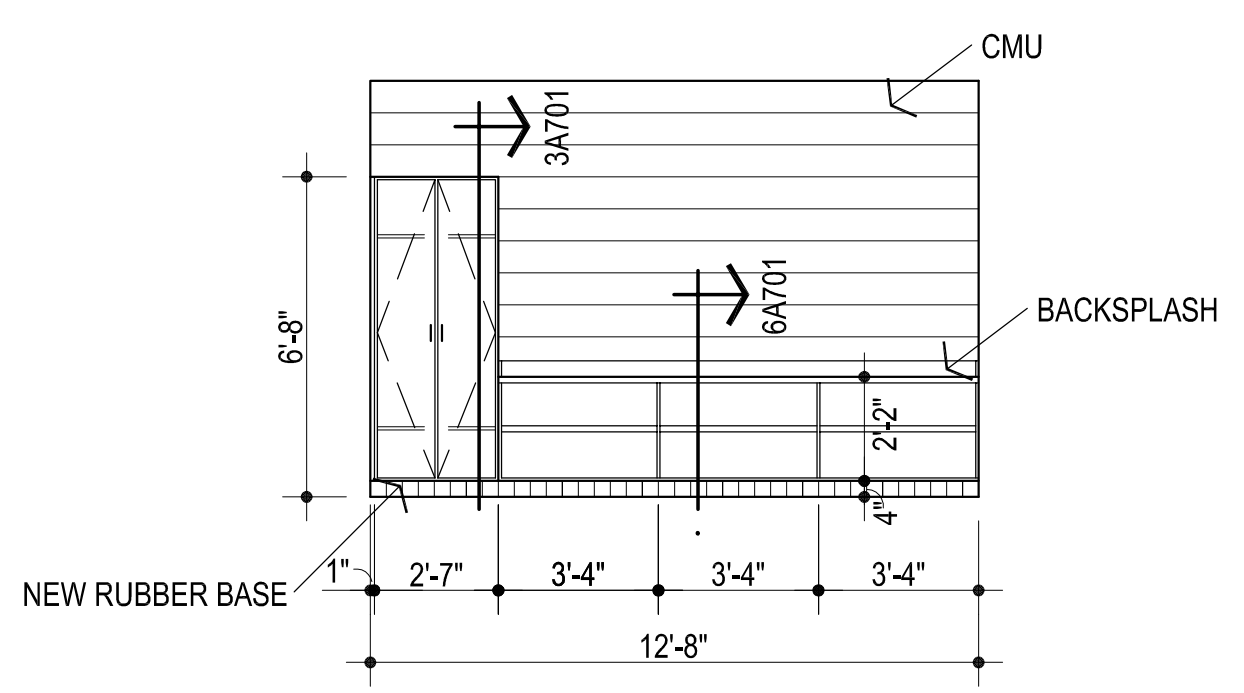


8 COAT RACK DTL.
1 1/2" = 1'-0"

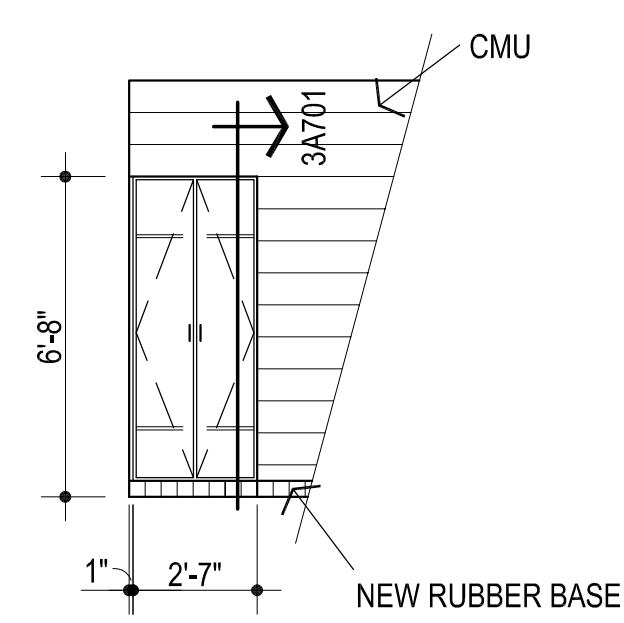
9 COLOR SCHEDULE



10 ELEVATION @ RM TYPE "E"
1/4" = 1'-0"



11 ELEVATION @ RM TYPE "C"
1/4" = 1'-0"



12 ELEVATION @ RM TYPE "D"
1/4" = 1'-0"