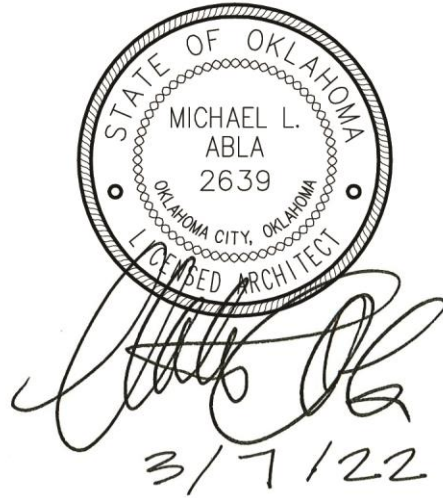


**MOORE PUBLIC SCHOOLS -
SOONER ELEMENTARY SCHOOL
2022 MILLWORK REPLACEMENT**
Oklahoma City, Oklahoma
AGP - Moore, Oklahoma

ADDENDUM NO. 2
March 7, 2022



This addendum applicable to work designated herein, shall be understood to be an Addendum, and as such shall be included in the Contract Agreement.

Receipt of this Addendum shall be acknowledged by the Construction Management Firm notifying this office in writing, and by any applicable subcontractor to the CM.

This addendum consists of one (1) page with attachments of zero (0) 8.5"x11" pages and one (1) 24"x36" sheets.

A. Drawings:

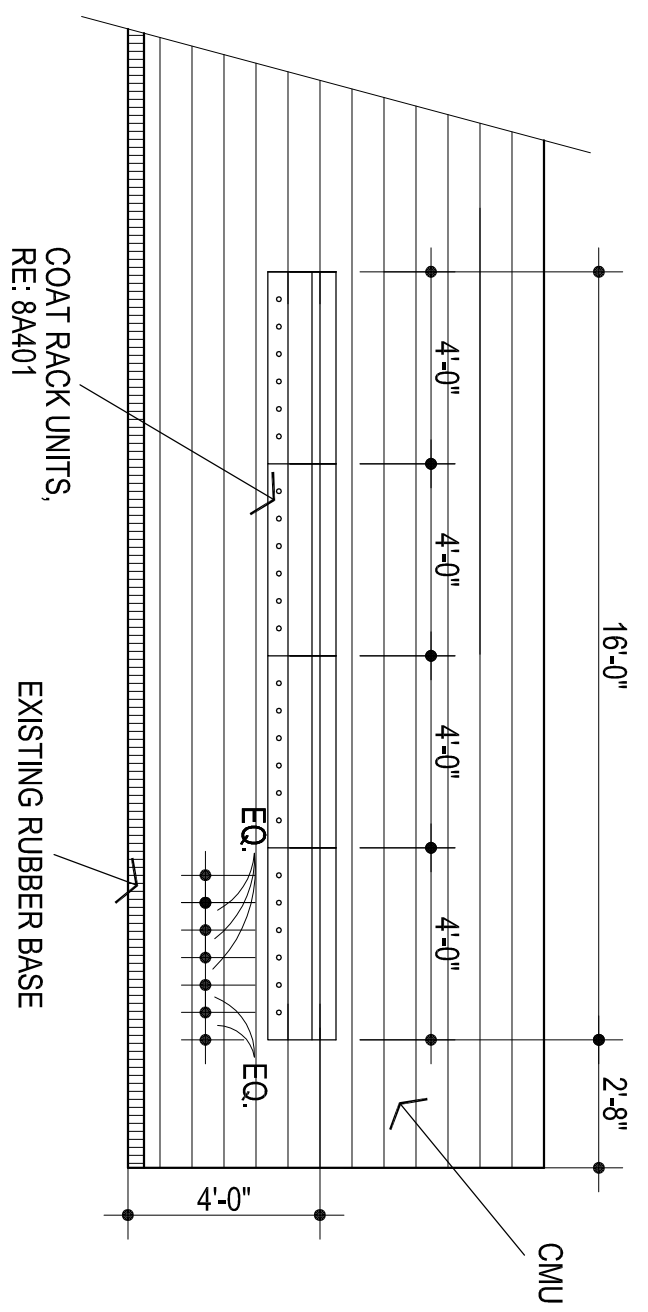
Architectural

1. Sheet A401, Detail 3, Elev. @ Rm. Type "A" & "B", opp. and Detail 10, Elev. @ Rm. Type "E": revised details as per attached drawing.

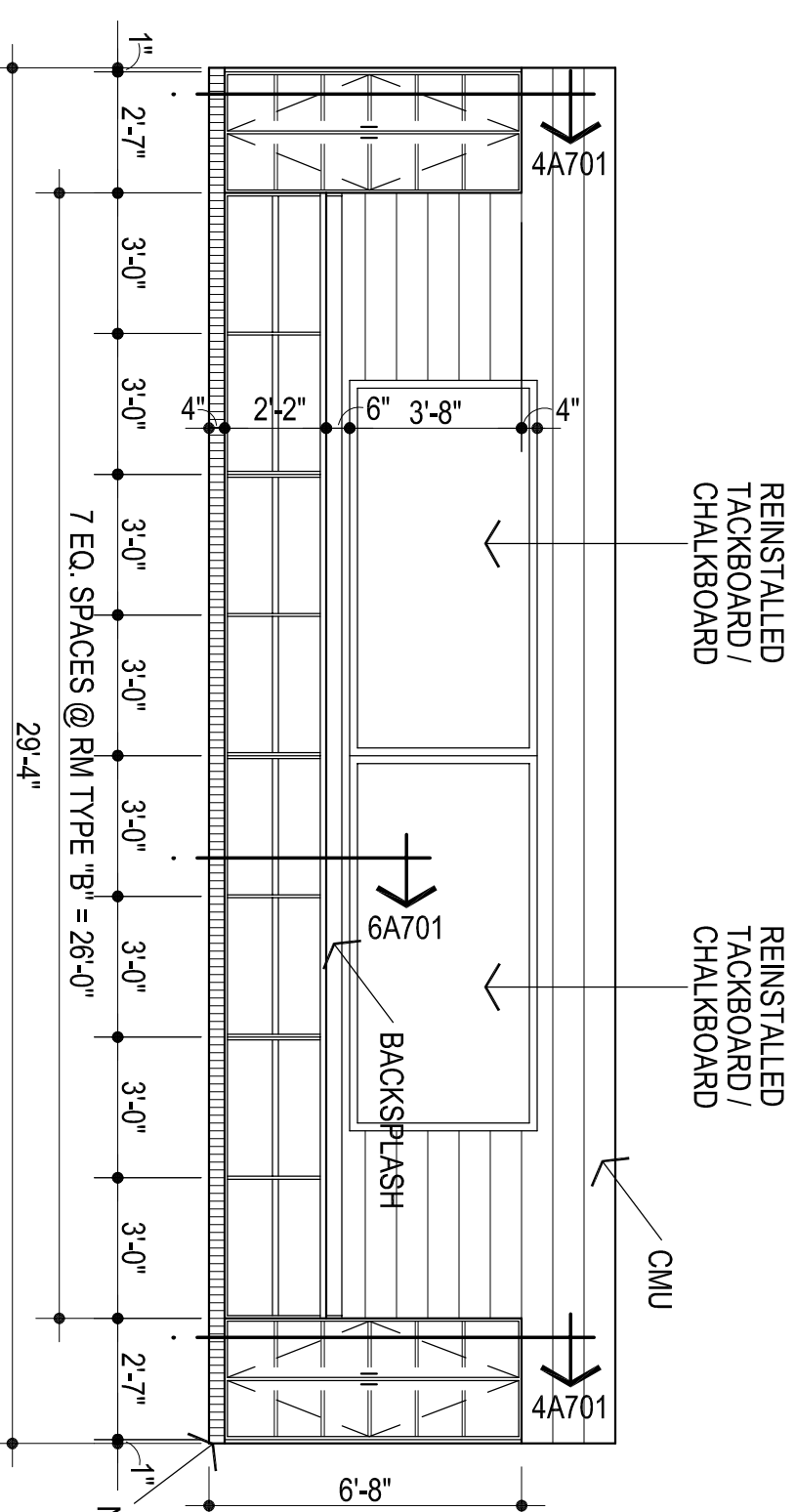
B. Specifications:

No changes.

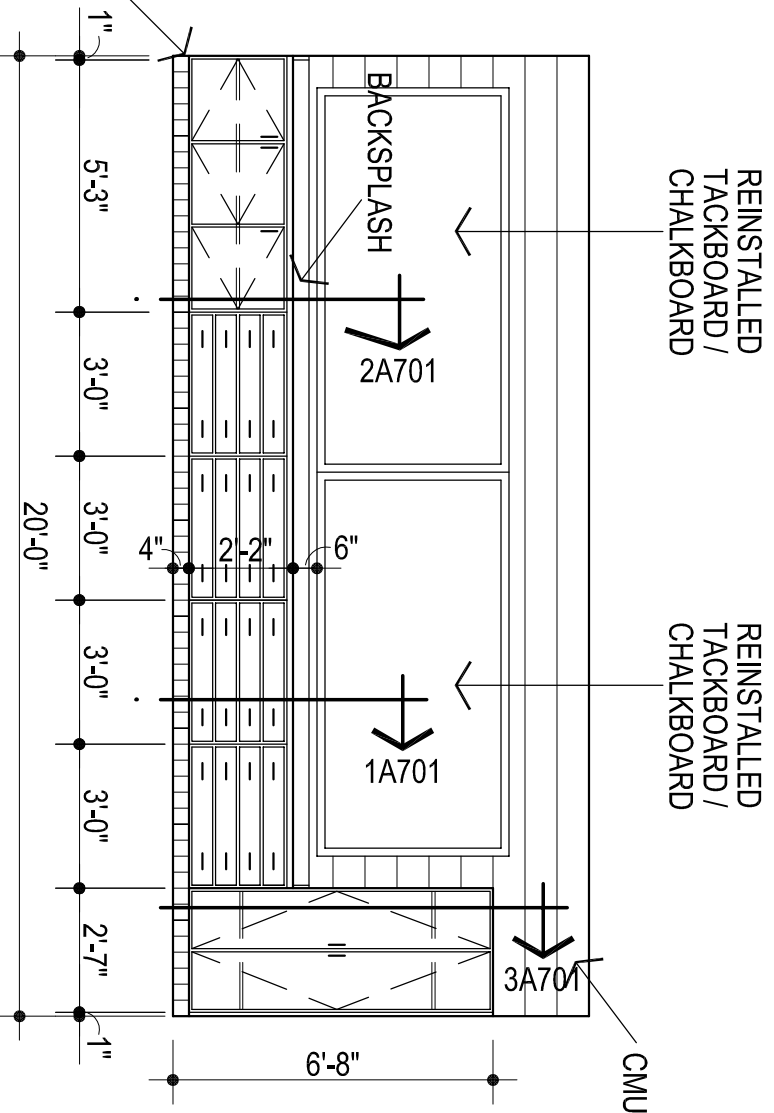
END OF ADDENDUM NO. 2



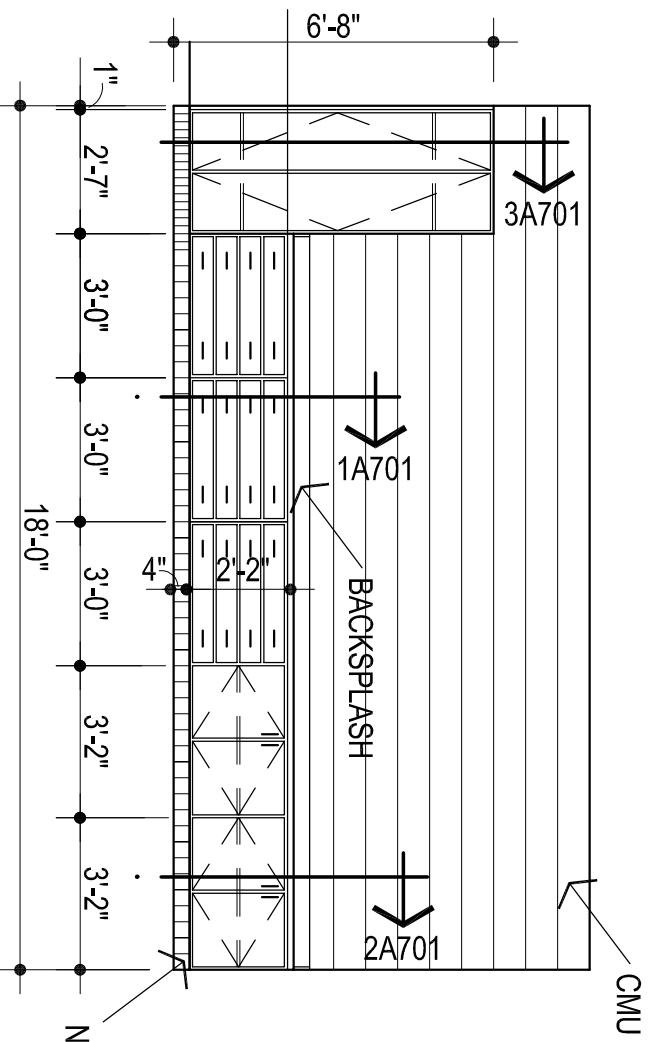
1
ELEV. @ TYP. CLASSROOM
COAT RACK
1/4" = 1'-0"



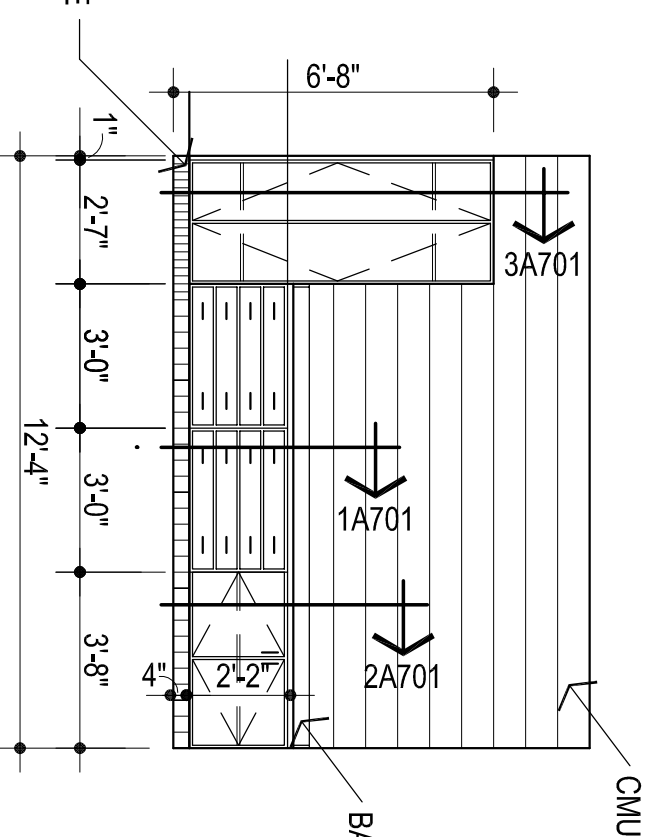
2
ELEVATION @ RM TYPE "A" & "B"
1/4" = 1'-0"



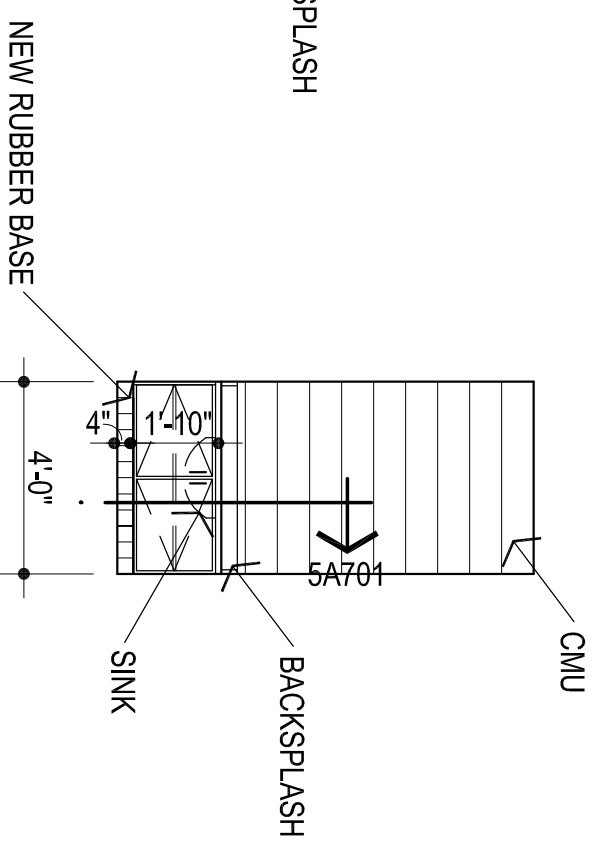
3
ELEVATION @ RM TYPE "A" & "B", OPP.
1/4" = 1'-0"



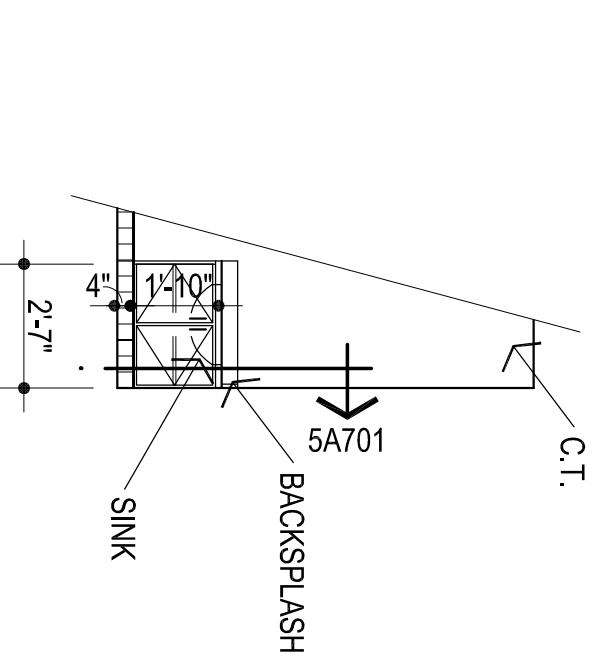
4
ELEVATION @ RM TYPE "C" & "D"
1/4" = 1'-0"



5
ELEVATION @ RM TYPE "E"
1/4" = 1'-0"

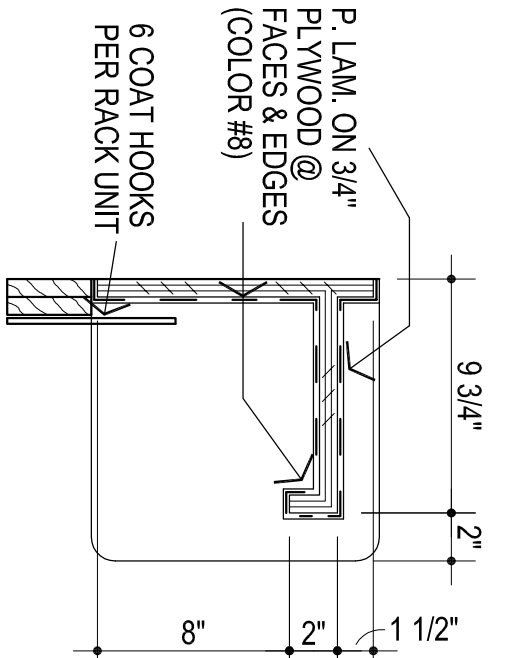


6
ELEVATION @ CLASSROOM -
3 LOCATIONS
1/4" = 1'-0"



7
ELEVATION @ TOILET -
6 LOCATIONS
1/4" = 1'-0"

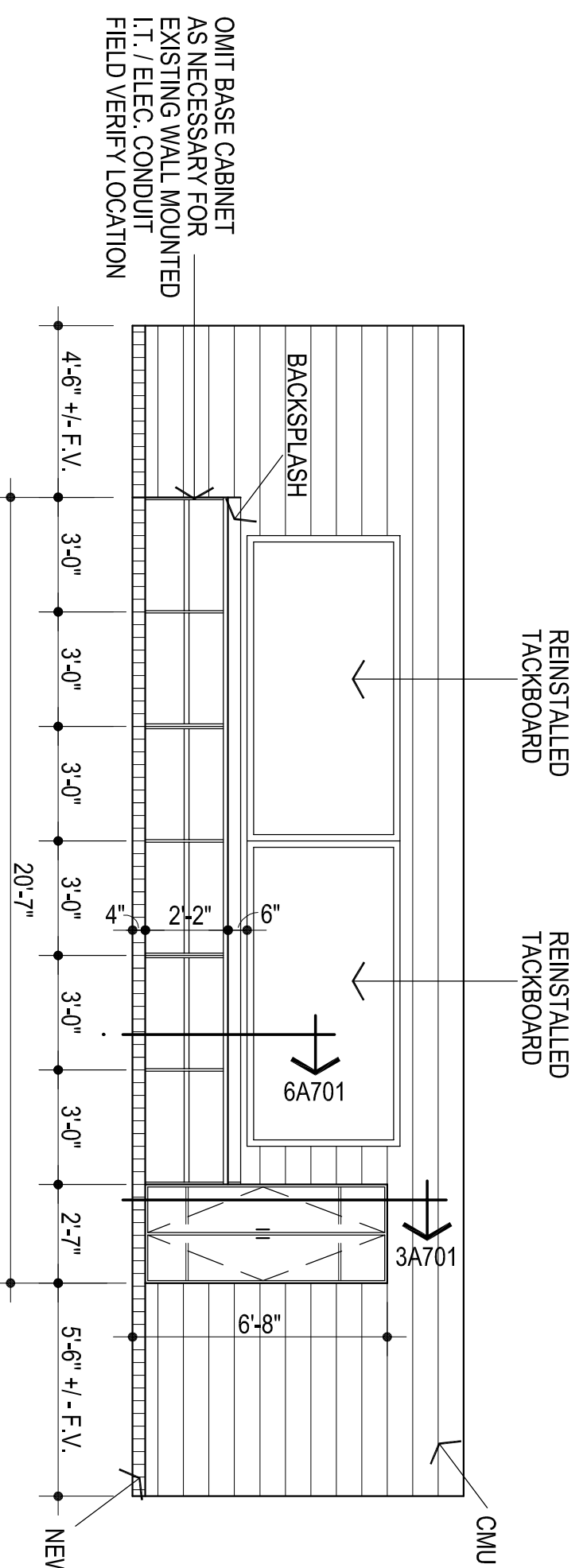
SINK - 9 TOTAL:
ELKAY MODEL DRKAD2822RC COUNTER MOUNTED
PROVIDE ROUGH-IN AS REQUIRED TO RECONNECT TO EXISTING SINK
PACKAGE WITH GOOSENECK FAUCET AT BACK. LEVER HANDLE ON
LEFT SIDE CENTERED ON BOWL @ 3 LOCATIONS. LEVER HANDLE WITH
GOOSENECK FAUCET AT BACK @ 6 LOCATIONS. 6" SINK DEPTH. PROVIDE
ELKAY LKAD35 OFFSET STRAINER. MCGUIRE 8912 P-TRAP. BV2185CC
SUPPLY STOPS. INSTALL THERMOSTATIC MIXING VALVE AS REQUIRED
COORDINATE WITH ARCHITECT & OWNER.



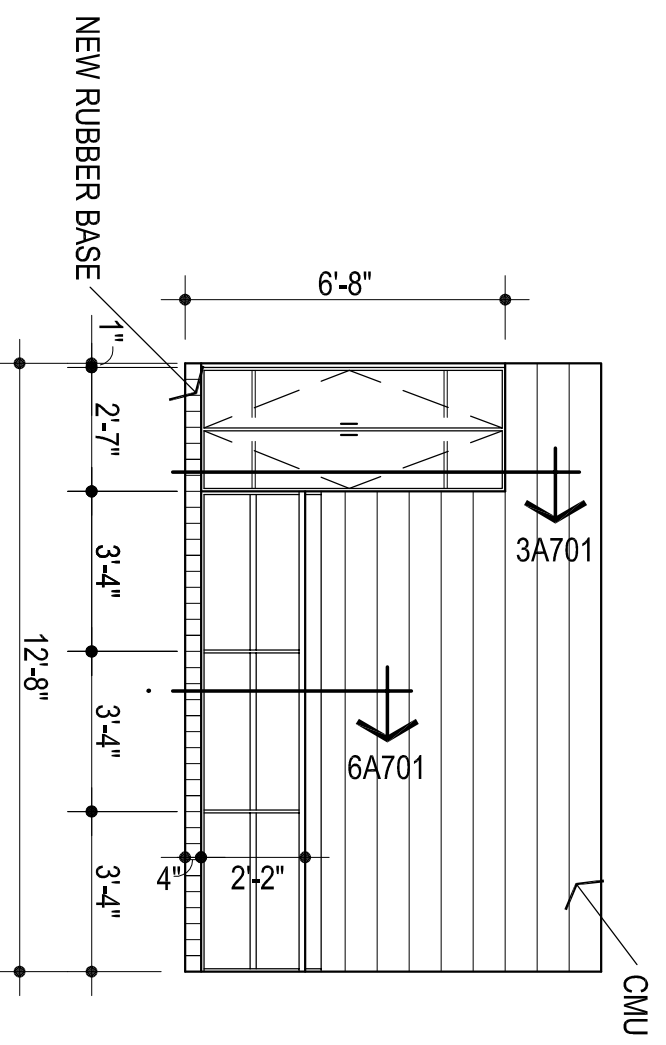
8
COAT RACK DTL.
1 1/2" = 1'-0"

- PAINT:
- 1 WALLS - FIELD; MATCH EXISTING
 - 2 NOT USED
- PREFINISHED COLORS:
- 3 SOLID SURFACE (COUNTERTOPS) : CORIAN - DEEP BEDROCK
 - 4 CARPET TILES: MATCH EXISTING
 - 5 RUBBER WALL BASE: MATCH EXISTING
 - 6 VINYL "T" EDGING - TO BE SELECTED FROM MFRS STANDARD COLORS
 - 7 MELAMINE: WHITE
 - 8 PLASTIC LAMINATE (FACING AND EDGING) : WILSONART - MONTICELLO MAPLE

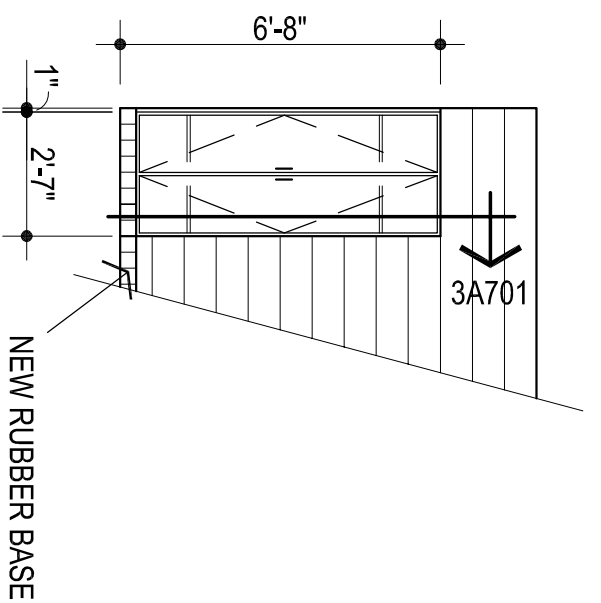
9
COLOR SCHEDULE



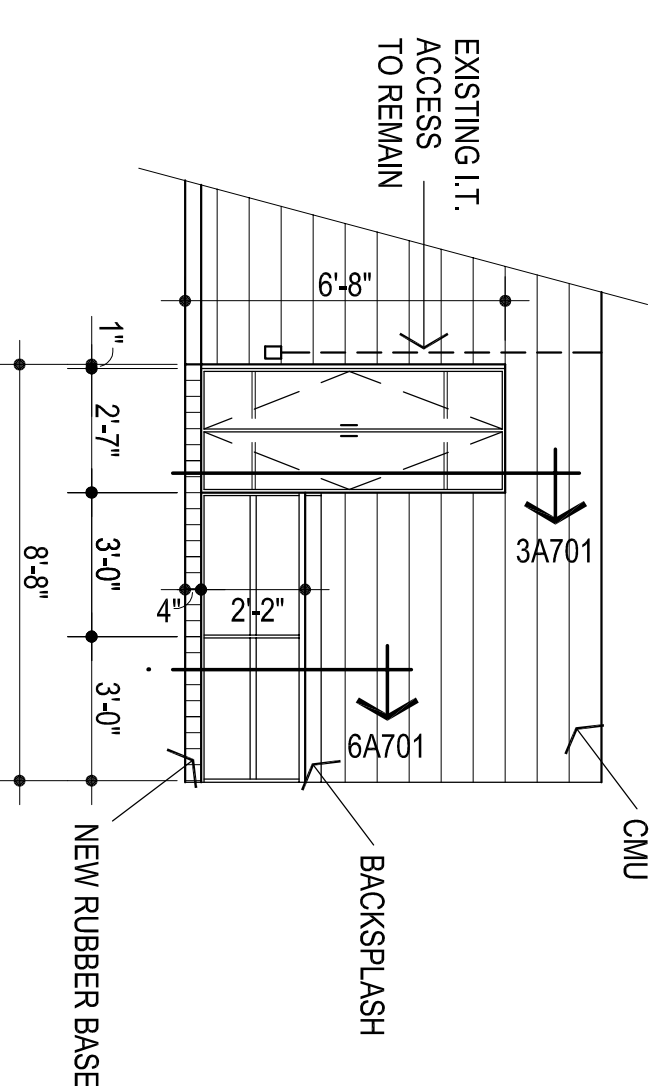
10
ELEVATION @ RM TYPE "E"
1/4" = 1'-0"



11
ELEVATION @ RM TYPE "C"
1/4" = 1'-0"



12
ELEVATION @ RM TYPE "D"
1/4" = 1'-0"



13
ELEVATION @ RM TYPE "F"
1/4" = 1'-0"



CS
designed by
MA
checked by
JANUARY 2022
date

revisions
2-10-2022
ADDENDUM NO. 1
ADDENDUM NO. 2

MOORE PUBLIC SCHOOLS
BOARD OF EDUCATION
MOORE, OKLAHOMA

MOORE Public Schools
LEARNING FOR LIFE

SOONER
ELEMENTARY SCHOOL
2022 MILLWORK
REPLACEMENT

A401

OWNERSHIP USE OF DOCUMENTS:
AGP EXPRESSLY RESERVES ITS
COPYRIGHT AND OTHER PROPERTY
RIGHTS OF ALL PLANS AND DRAWINGS
DESIGNED AND/OR PRODUCED BY
AGP AND/OR ITS AFFILIATES. ANY
REPRODUCTION IN ANY FORM OR MANNER
WITHOUT THE EXPRESSED WRITTEN
CONSENT OF AGP.