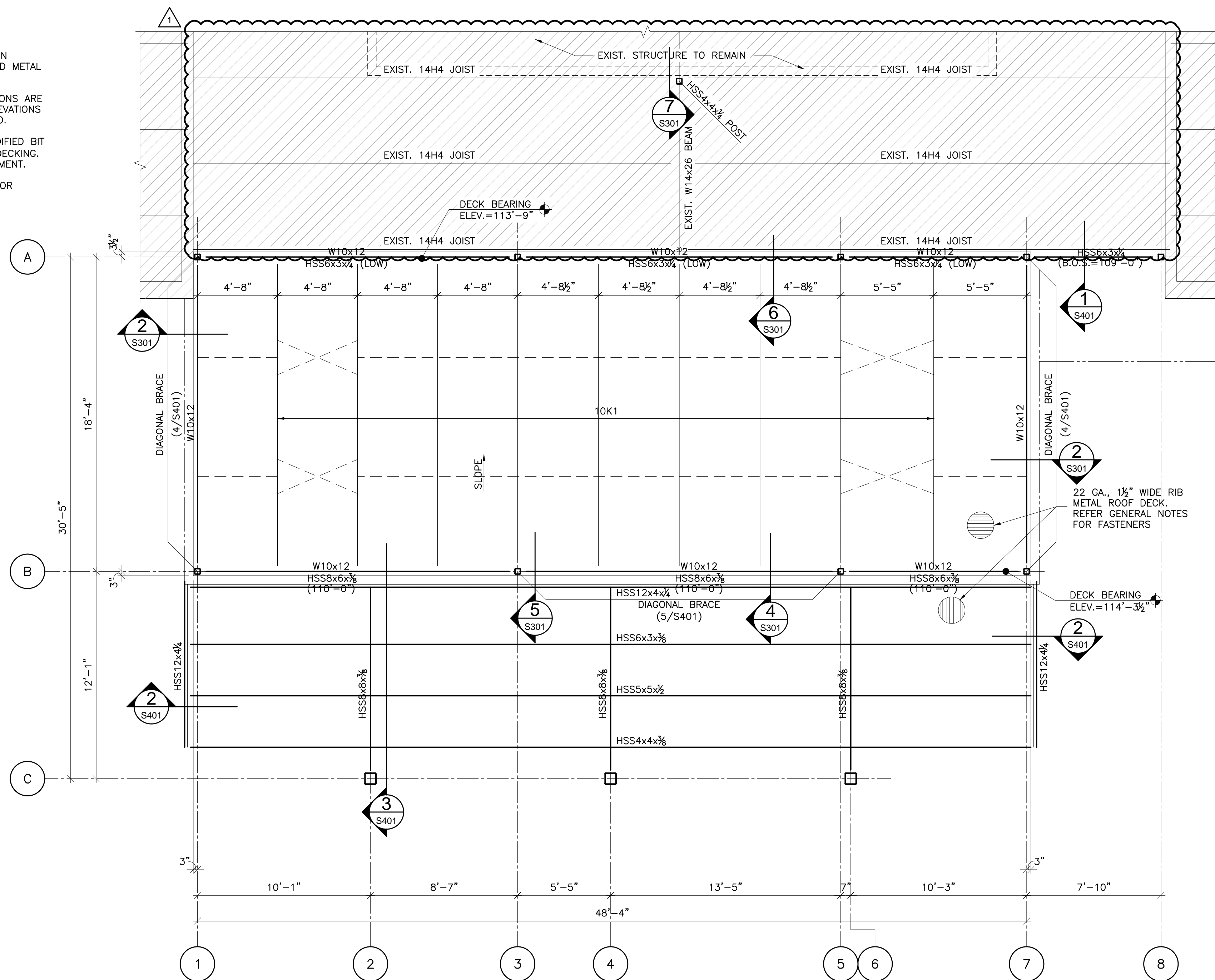


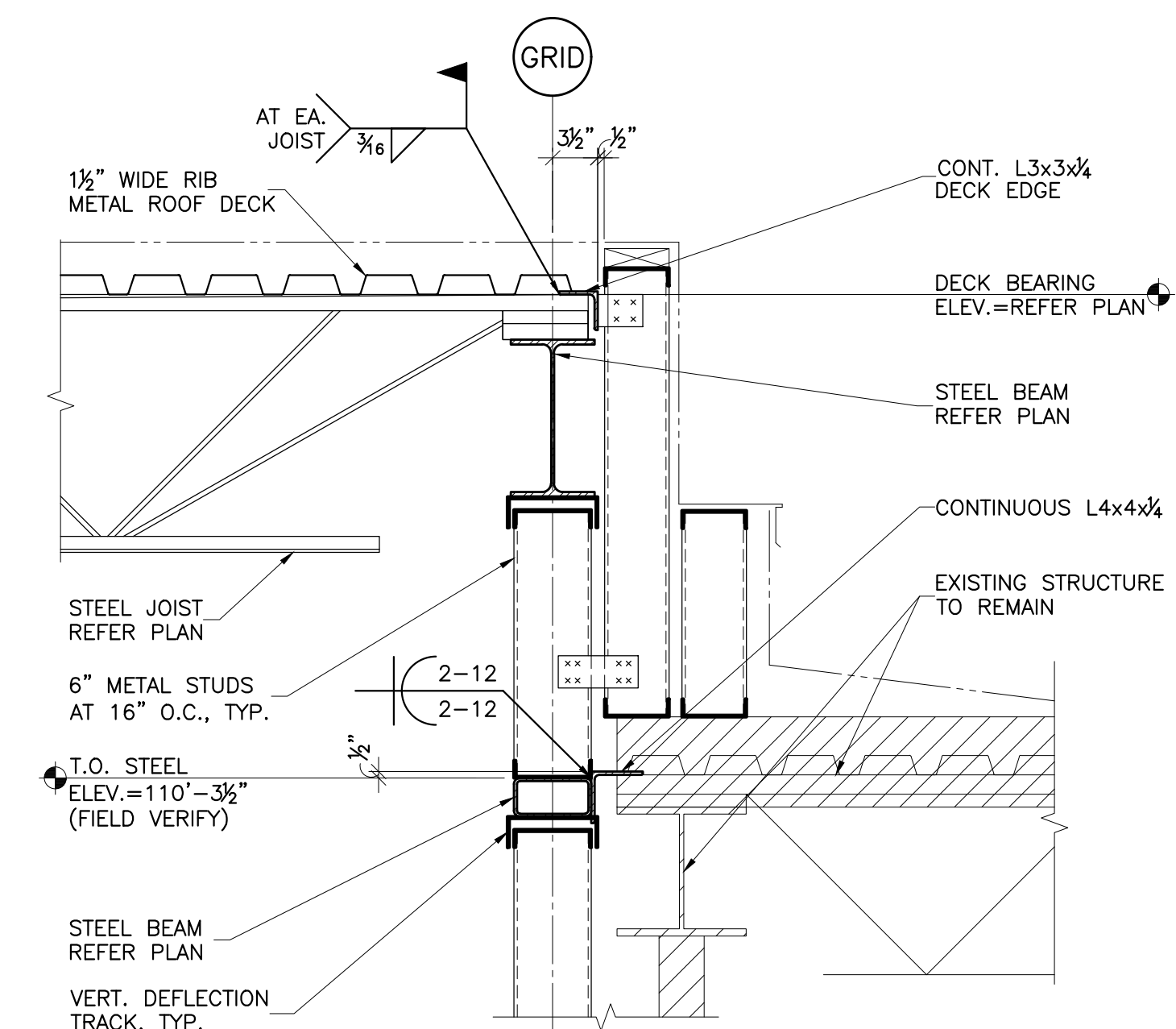
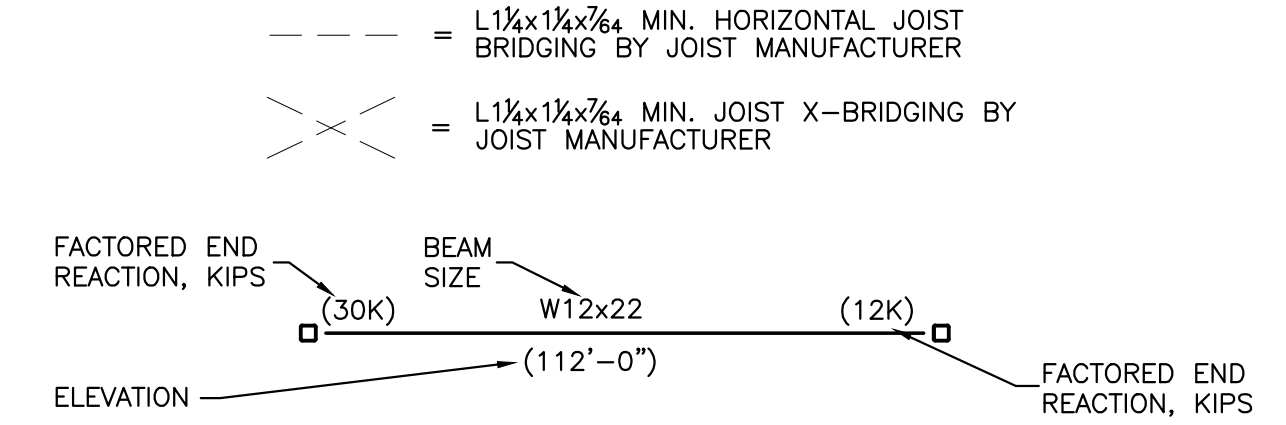
ROOF FRAMING NOTES:

1. REFER TO GENERAL NOTES FOR INFORMATION REGARDING STEEL BEAMS, STEEL JOISTS AND METAL DECKING.
2. ALL TOP OF STEEL, JOIST OR DECK NOTATIONS ARE WITH REFERENCE TO THE FINISH FLOOR ELEVATIONS SPECIFIED ON THE FOUNDATION PLAN, U.N.O.
3. THE ROOF DECK SHALL CONSIST OF A MODIFIED BIT ROOF OVER 1/2", 22 GA. GALV. WIDE RIB DECKING. REFER TO METAL DECK NOTES FOR ATTACHMENT.
4. REFER TYPICAL JOIST AND STEEL DETAILS FOR ADDITIONAL INFORMATION.

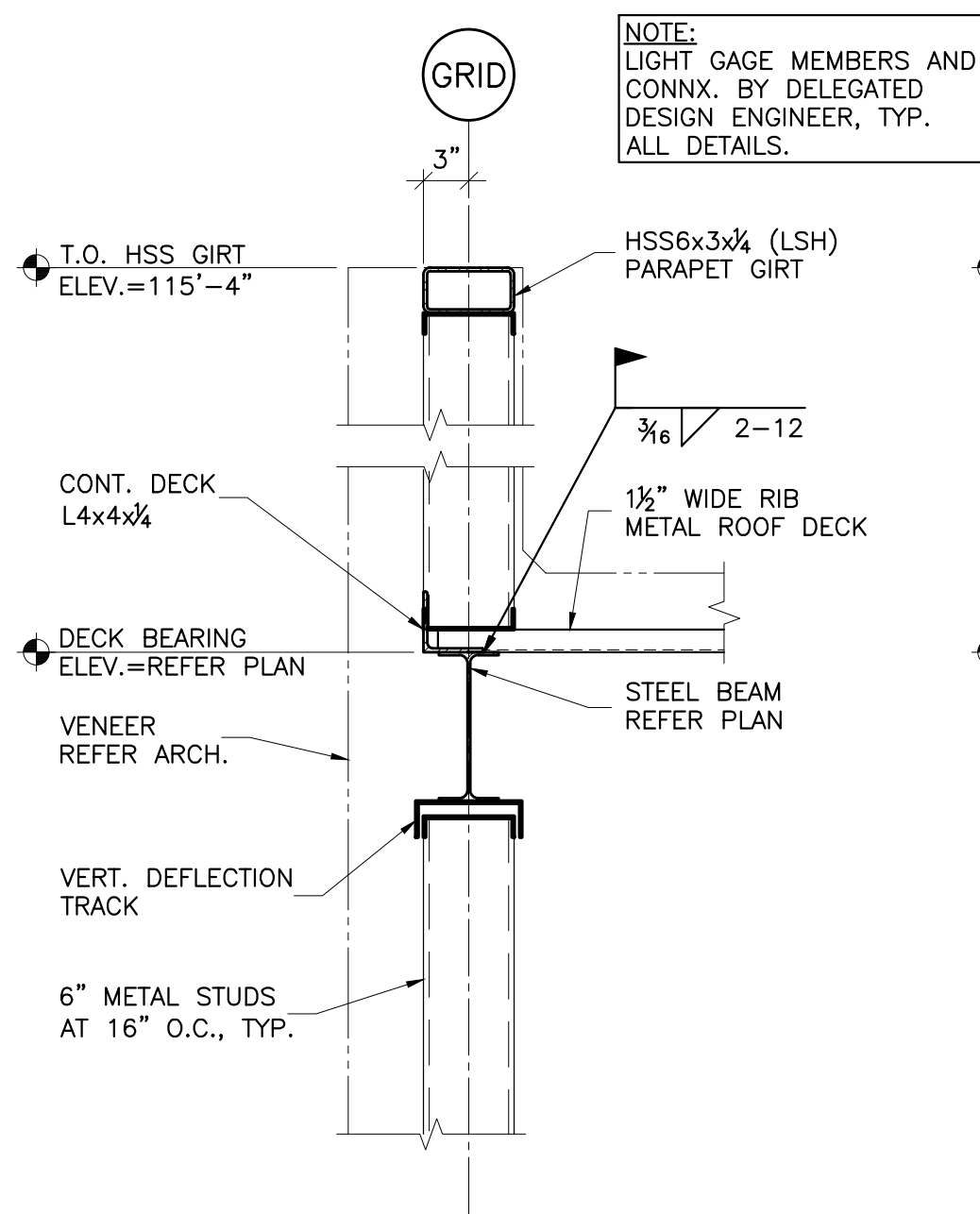


1 ROOF FRAMING PLAN
S301 SCALE: 1/4"=1'-0"

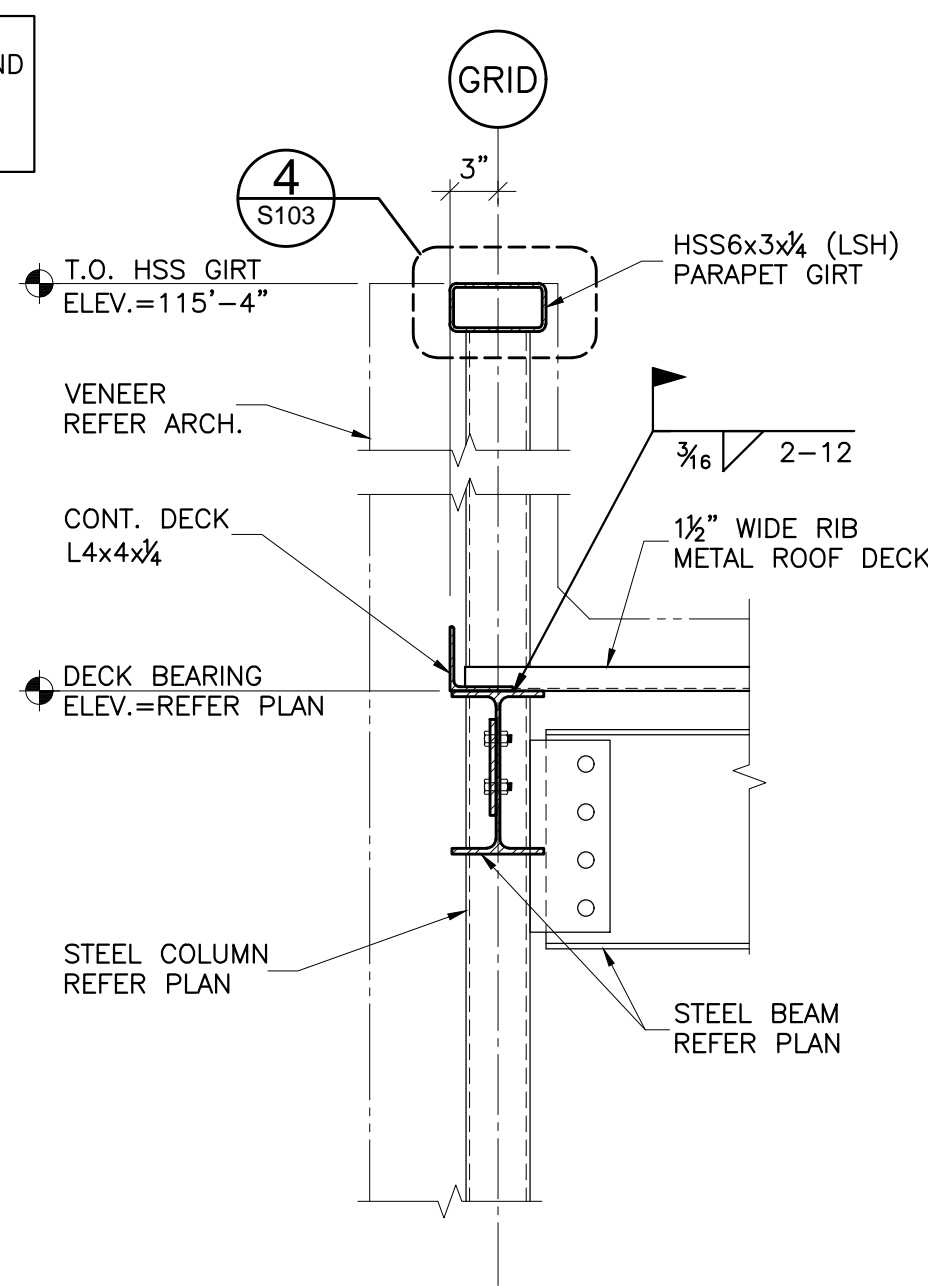
FRAMING PLAN LEGEND:



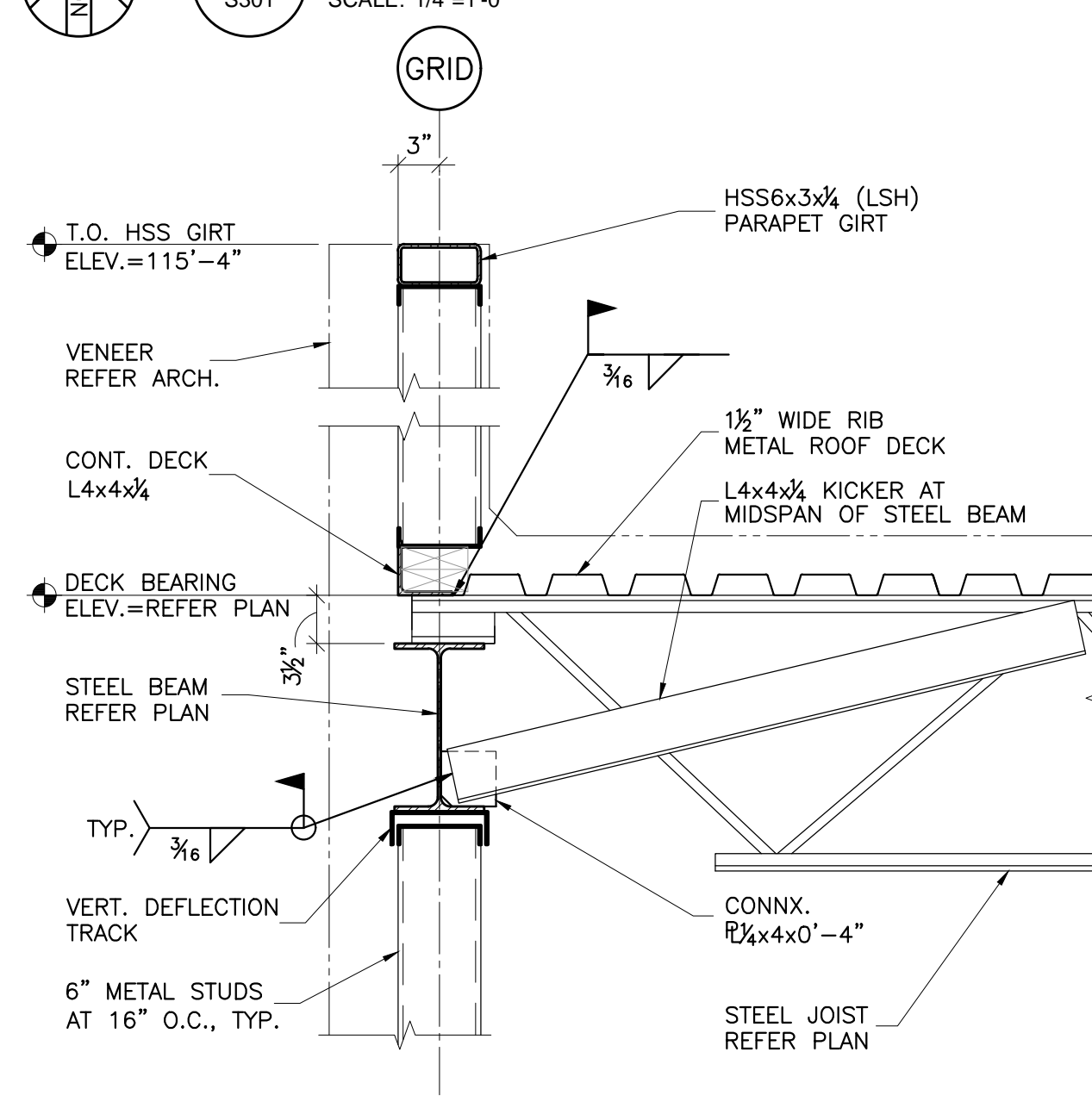
6 SECTION
S301 SCALE: 1"=1'-0"



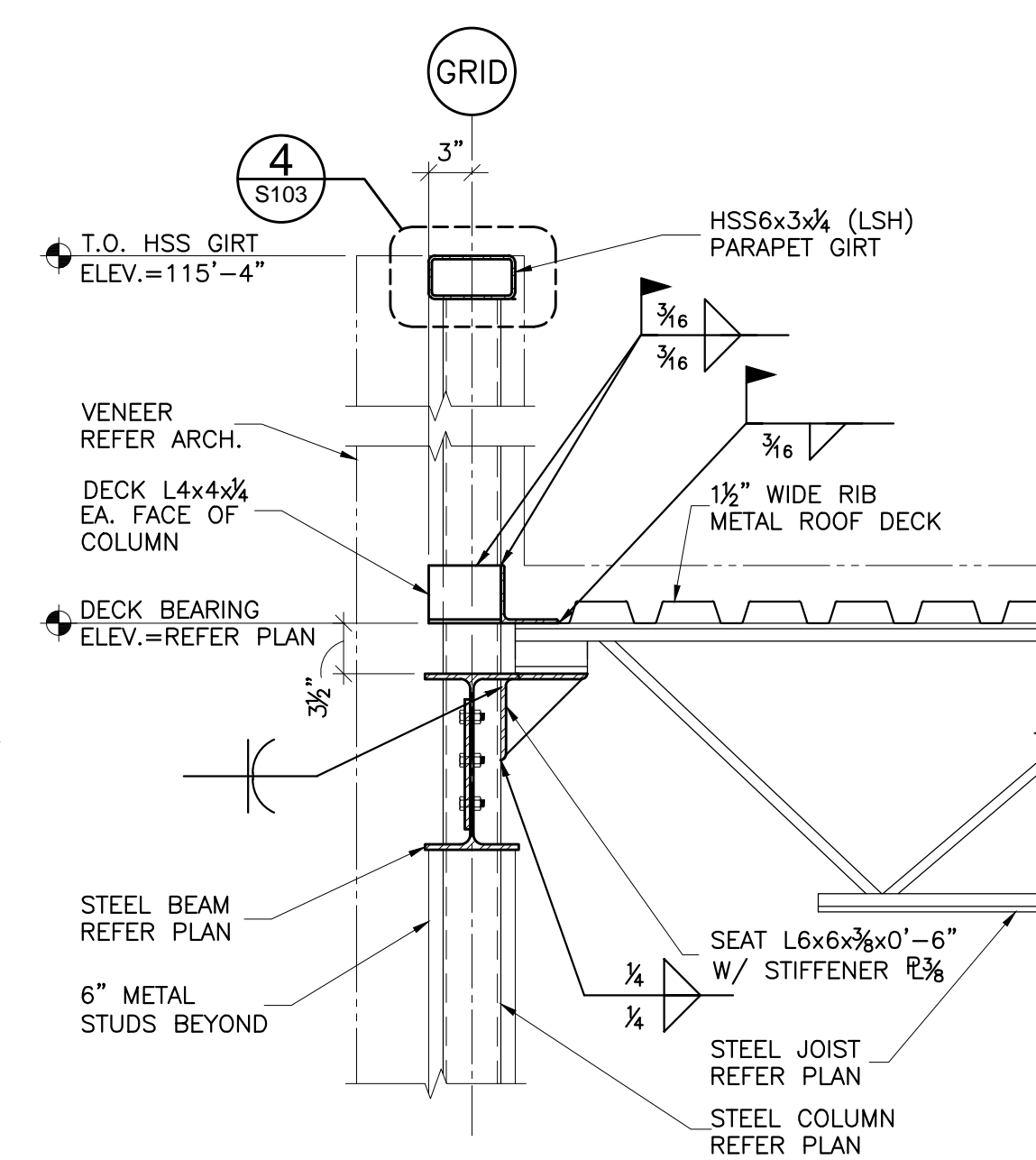
2 SECTION
S301 SCALE: 1"=1'-0"



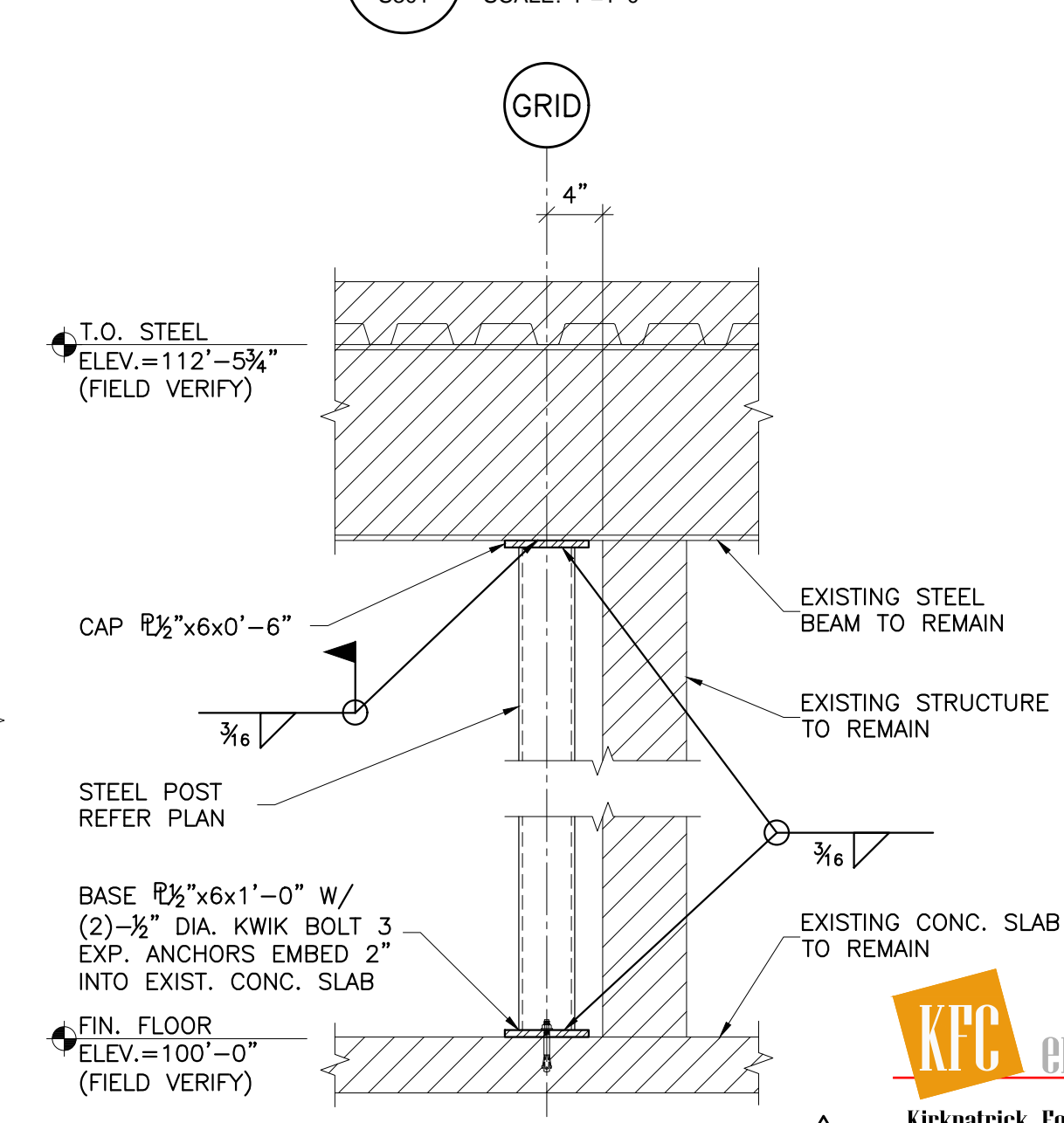
3 SECTION
S301 SCALE: 1"=1'-0"



4 SECTION
S301 SCALE: 1"=1'-0"



5 SECTION
S301 SCALE: 1"=1'-0"



7 SECTION
S301 SCALE: 1"=1'-0"



CJC	drawn by
BWB	checked by
OCTOBER 2023	date
revisions	
CB-3	03/14/2024



sheet no:

S301