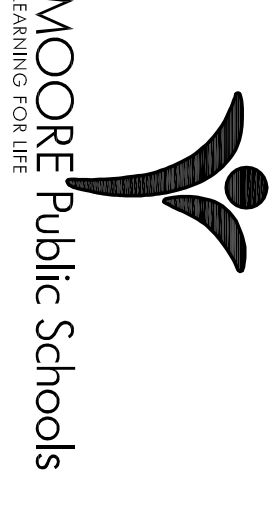




CG
designed by
MA
checked by
FEBRUARY 2024
dab
revisions

MOORE PUBLIC SCHOOLS
BOARD OF EDUCATION
MOORE, OKLAHOMA



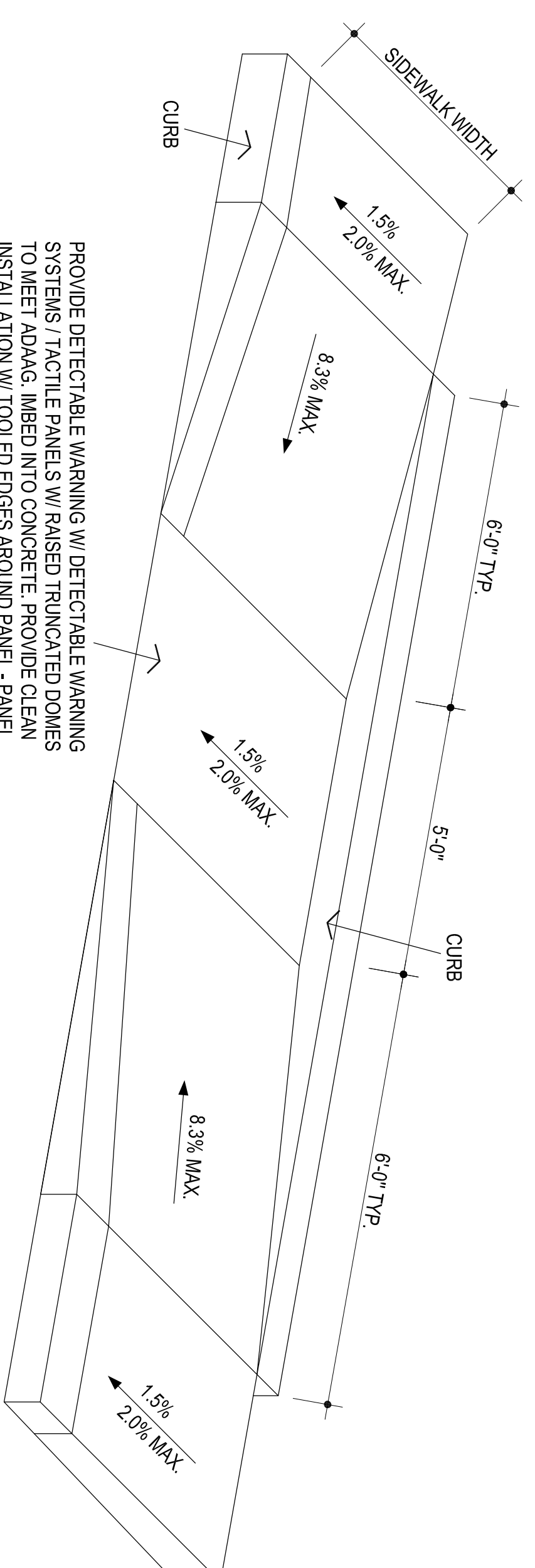
SECURITY UPGRADES
SANTA FE
ELEMENTARY SCHOOL

Sheet No.

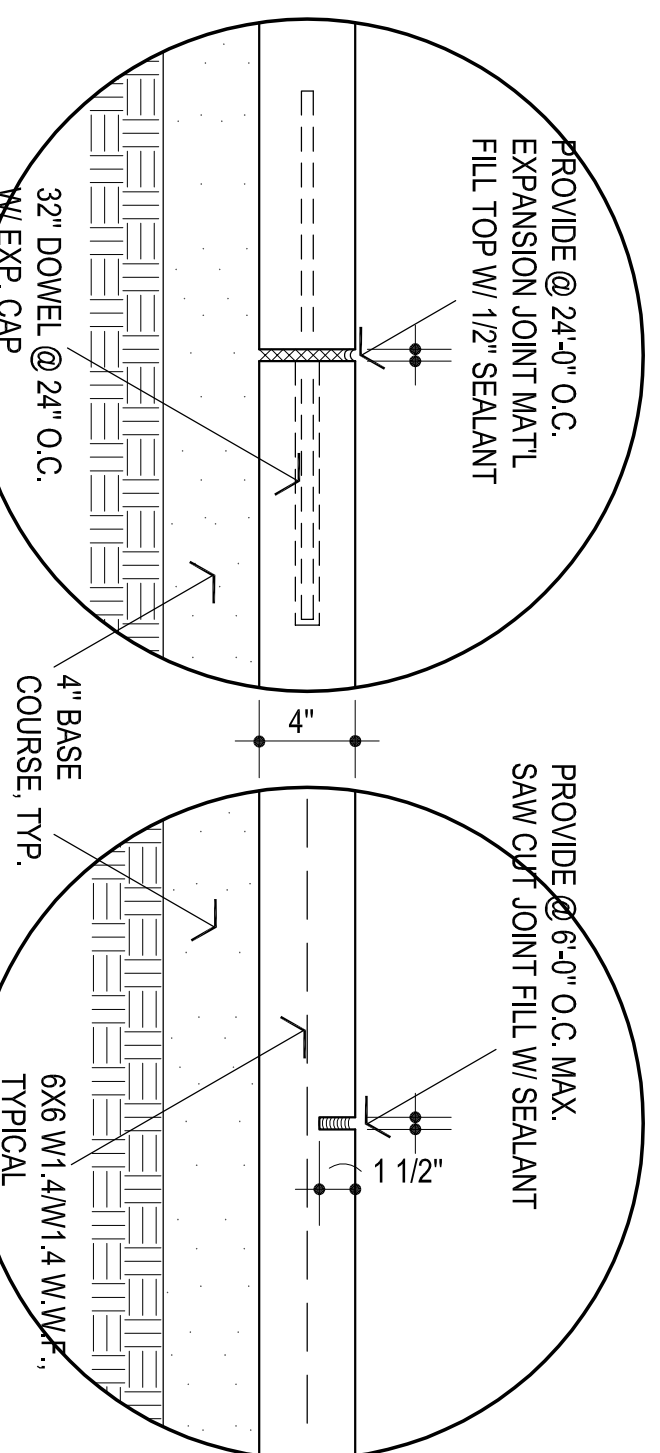
C900

OWNERSHIP USE OF DOCUMENTS:

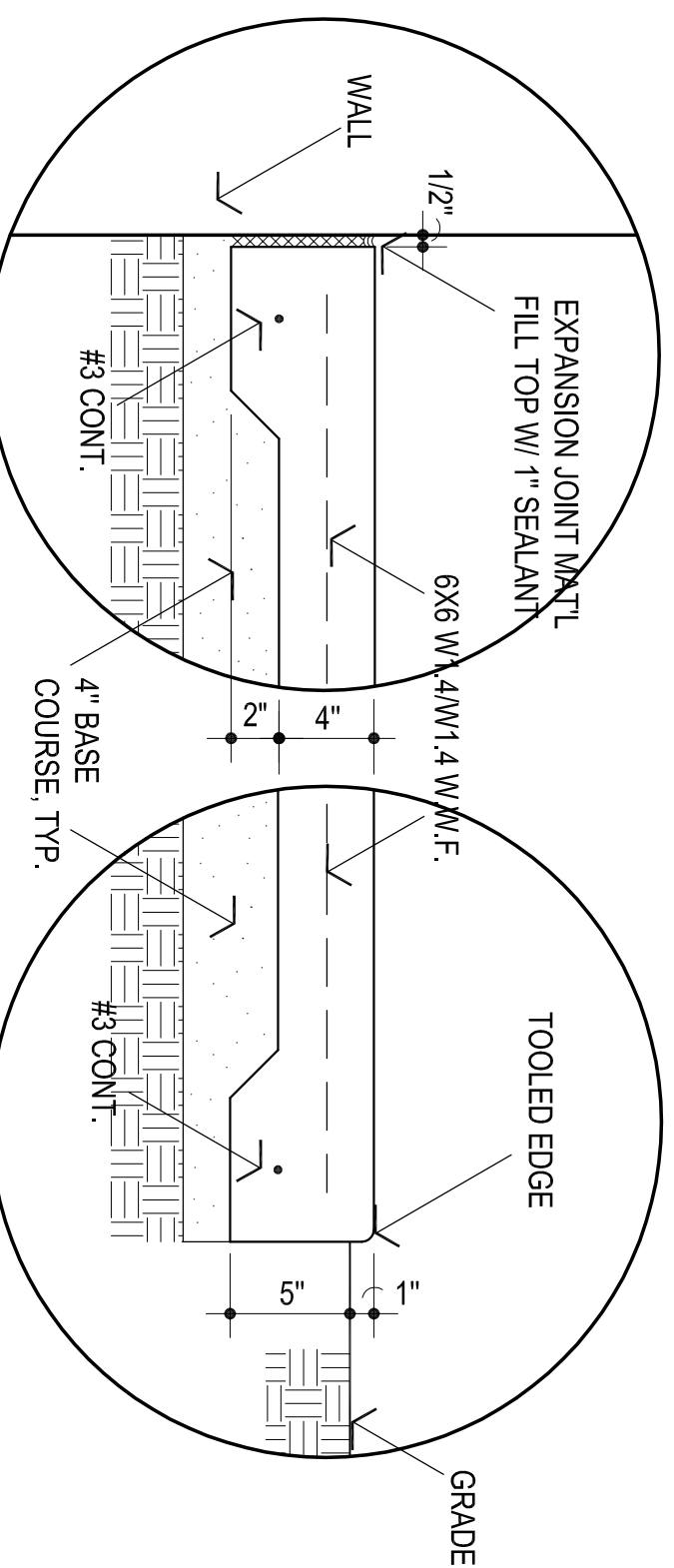
AGP EXPRESSLY RESERVES ITS COPYRIGHT AND OTHER PROPERTY RIGHTS OF ALL PLANS AND DRAWINGS DESIGNED AND/OR PRODUCED HEREON. THESE DRAWINGS ARE TO BE REPRODUCED IN ANY FORM OR MANNER WITHOUT THE EXPRESSED WRITTEN CONSENT OF AGP.



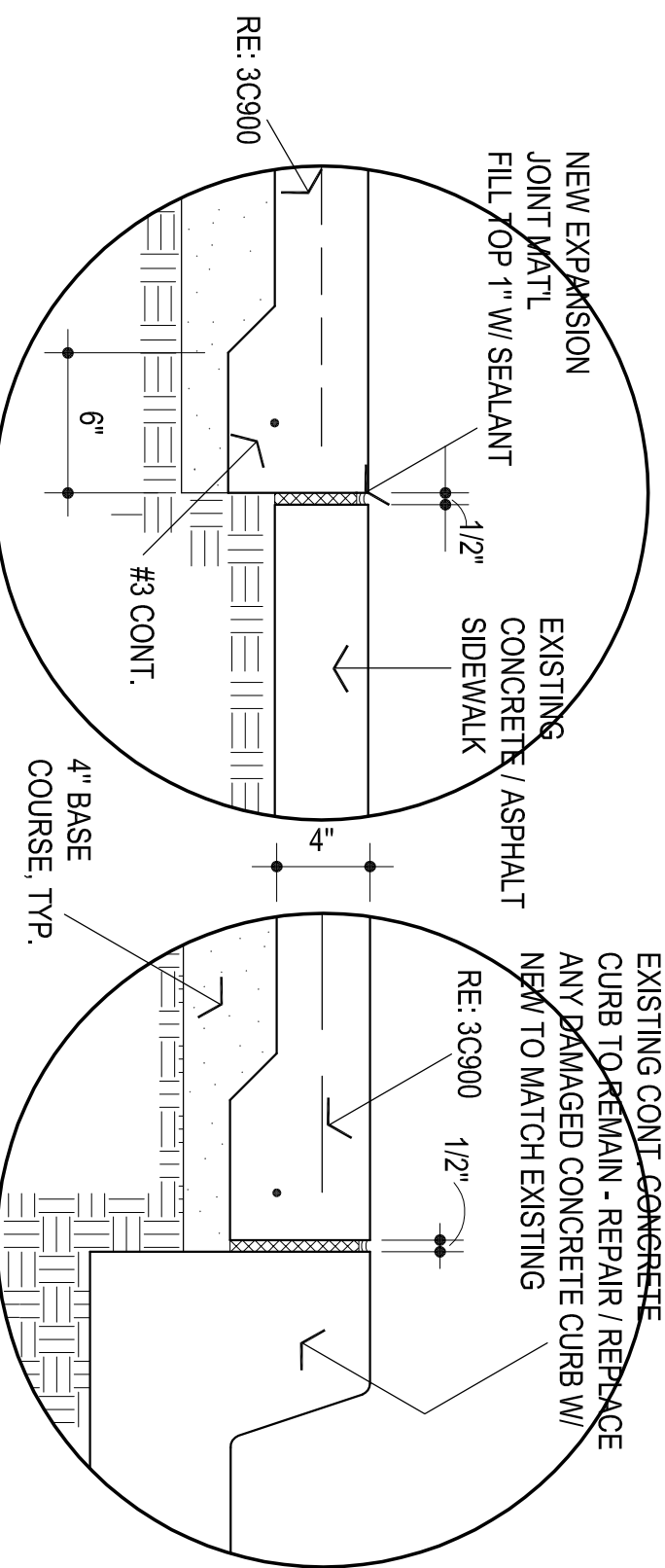
10 PARALLEL H.C. CURB RAMP
NOT TO SCALE



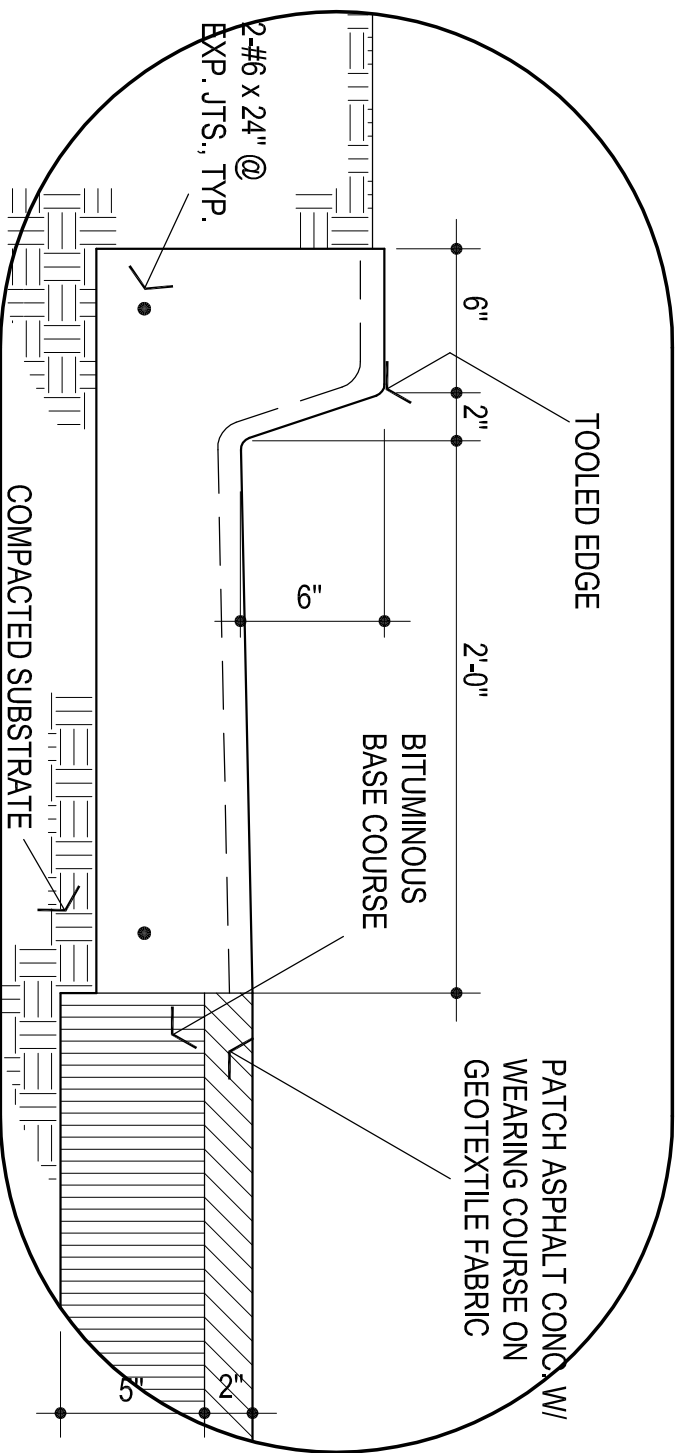
1 SIDEWALK EXP. JOINT
2 SIDEWALK CONTROL JT.



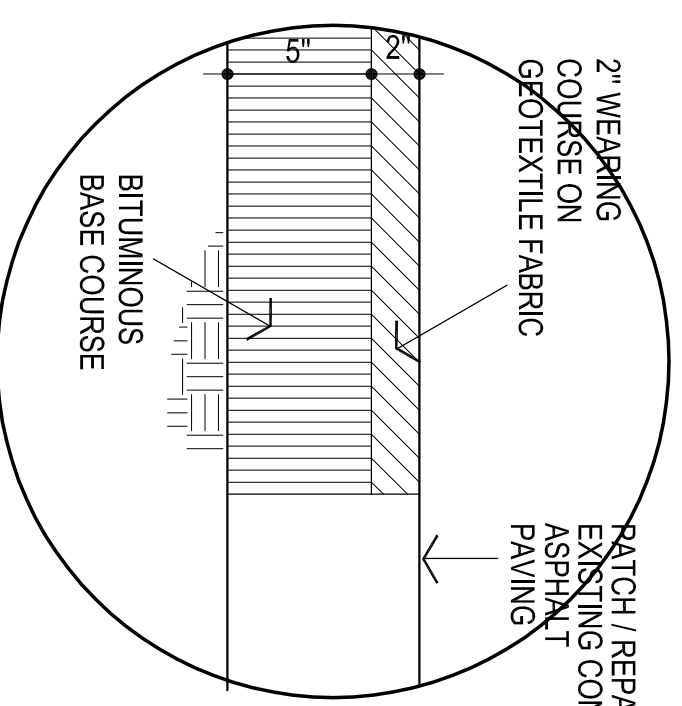
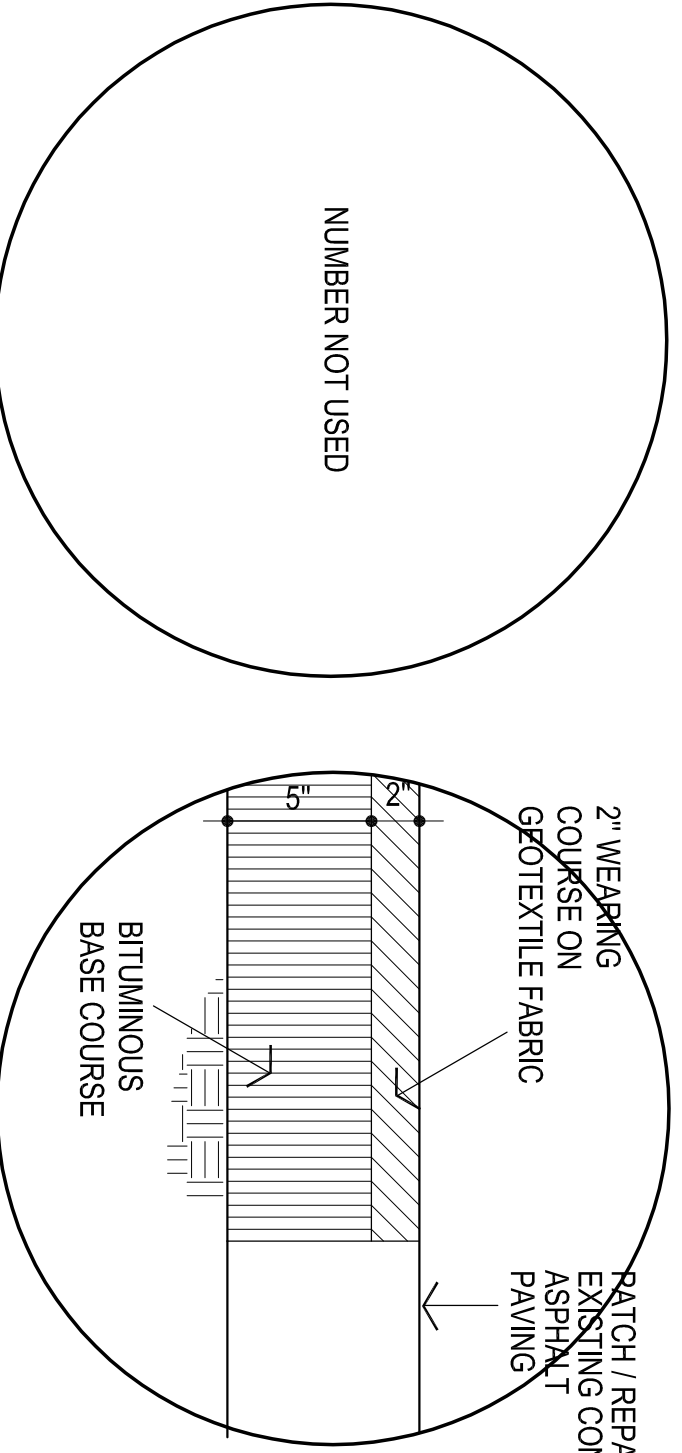
3 SIDEWALK @ VERT. SURF.
4 SIDEWALK EDGE



5 EXISTING / NEW CONCRETE SIDEWALK
6 SIDEWALK / CONC. CURB



7 CONC. CURB / ASPHALT PAVING



8
9 PAVING EDGE
NOT TO SCALE