

PAINT:

- 1 EXPOSED CMU WALLS - FIELD: SHERWIN-WILLIAMS - SW7008 - ALABASTER
- 2 H.M. DOORS & FRAMES : SHERWIN-WILLIAMS - SW6992 - INKWELL
- 3 MISCELLANEOUS METALS: SHERWIN-WILLIAMS - SW6992 - INKWELL

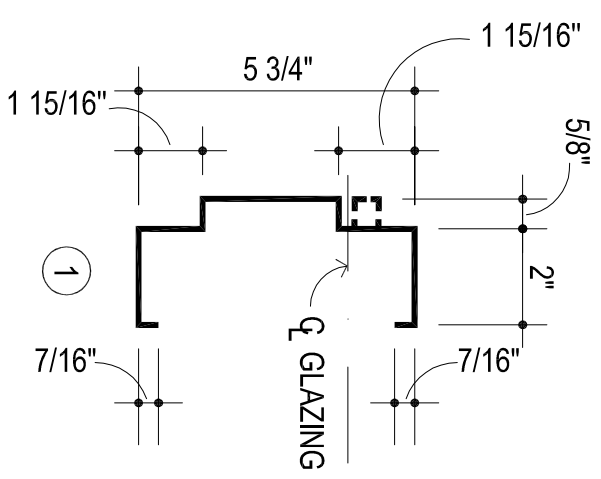
EXTERIOR COLORS:

- 4 PREFINISHED METAL COPING: - TO BE VERIFIED WITH ARCHITECT PRIOR TO CONSTRUCTION - MATCH EXISTING
- 5 PREFINISHED METAL ROOF PANEL: - TO VE VERIFIED WITH ARCHITECT PRIOR TO CONSTRUCTION - MATCH EXISTING
- 6 MASONRY BRICK VENEER: ACME BRICK: - TO BE VERIFIED WITH ARCHITECT PRIOR TO CONSTRUCTION - MATCH EXISTING

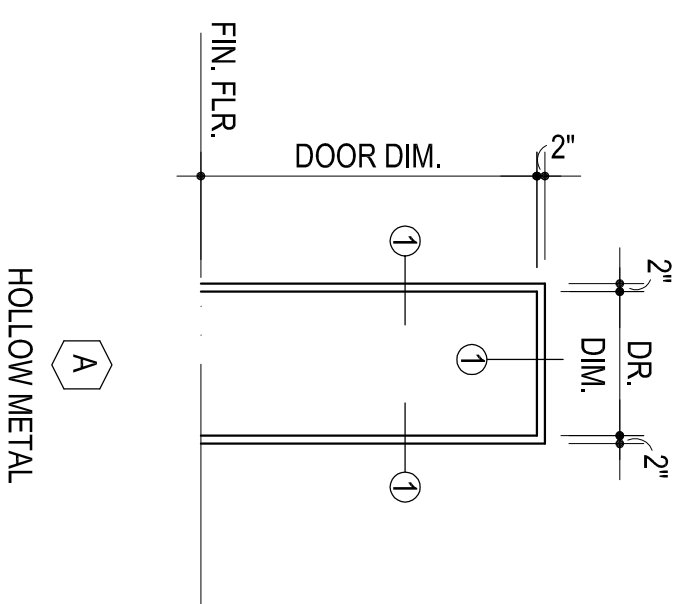
1 COLOR SCHEDULE

DOOR NO.	LOCATION	DOOR MATL	DOOR SIZE	FRAME FL. ELEV.	DOOR DETAILS			REMARKS	HDWR. SET NO.	
					HEAD	SILL	JAMB			
1	CORR. TO	A	3'-0" x 6'-8"	134"	6A601	8A601	7A601	7A601	BY FENCE / GATE MFR.	1
2	CORR. EXT.	A	3'-0" x 6'-8"	134"	6A601	8A601	7A601	7A601	BY FENCE / GATE MFR.	2
3		A	3'-0" x 6'-8"	134"	6A601	8A601	7A601	7A601	BY FENCE / GATE MFR.	2
4		A	3'-0" x 6'-8"	134"	6A601	8A601	7A601	7A601	BY FENCE / GATE MFR.	2
5		A	3'-0" x 6'-8"	134"	6A601	8A601	7A601	7A601	BY FENCE / GATE MFR.	2
6		A	3'-0" x 6'-8"	134"	6A601	8A601	7A601	7A601	BY FENCE / GATE MFR.	2
7		A	3'-0" x 6'-8"	134"	6A601	8A601	7A601	7A601	BY FENCE / GATE MFR.	2
8		A	3'-0" x 6'-8"	134"	6A601	8A601	7A601	7A601	BY FENCE / GATE MFR.	2
9		A	3'-0" x 6'-8"	134"	6A601	8A601	7A601	7A601	BY FENCE / GATE MFR.	2
10		A	3'-0" x 6'-8"	134"	6A601	8A601	7A601	7A601	BY FENCE / GATE MFR.	2
11		A	3'-0" x 6'-8"	134"	6A601	8A601	7A601	7A601	BY FENCE / GATE MFR.	2
12	CORR. EXT.	A	3'-0" x 6'-8"	134"	6A601	8A601	7A601	7A601	BY FENCE / GATE MFR.	2

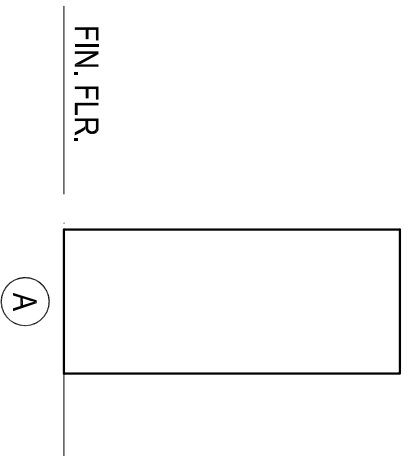
2 DOOR SCHEDULE



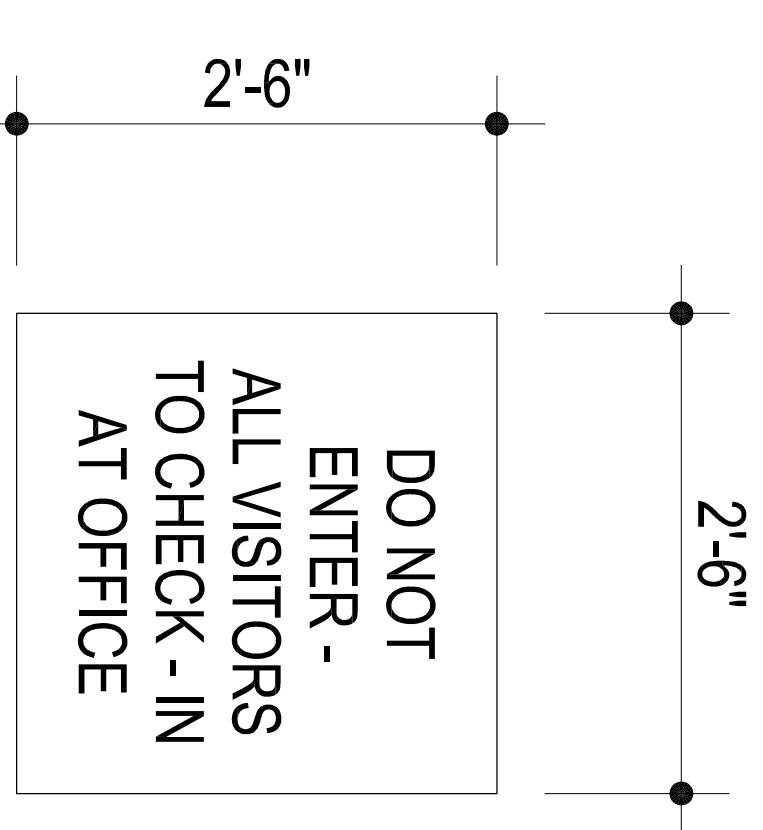
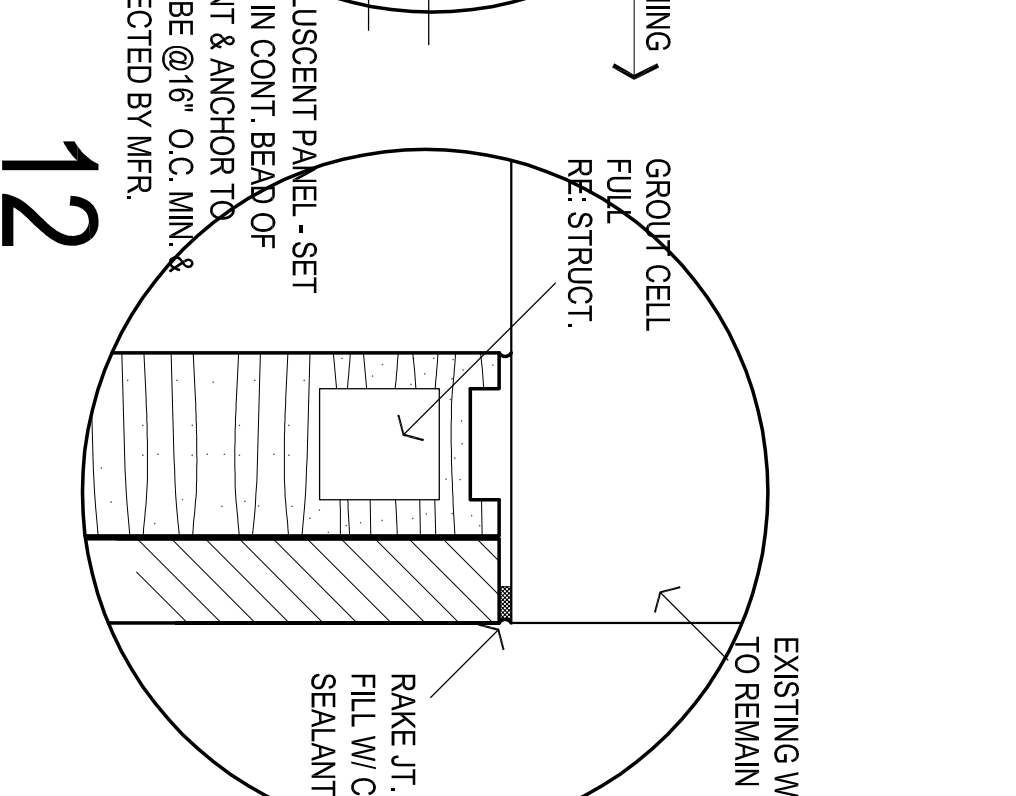
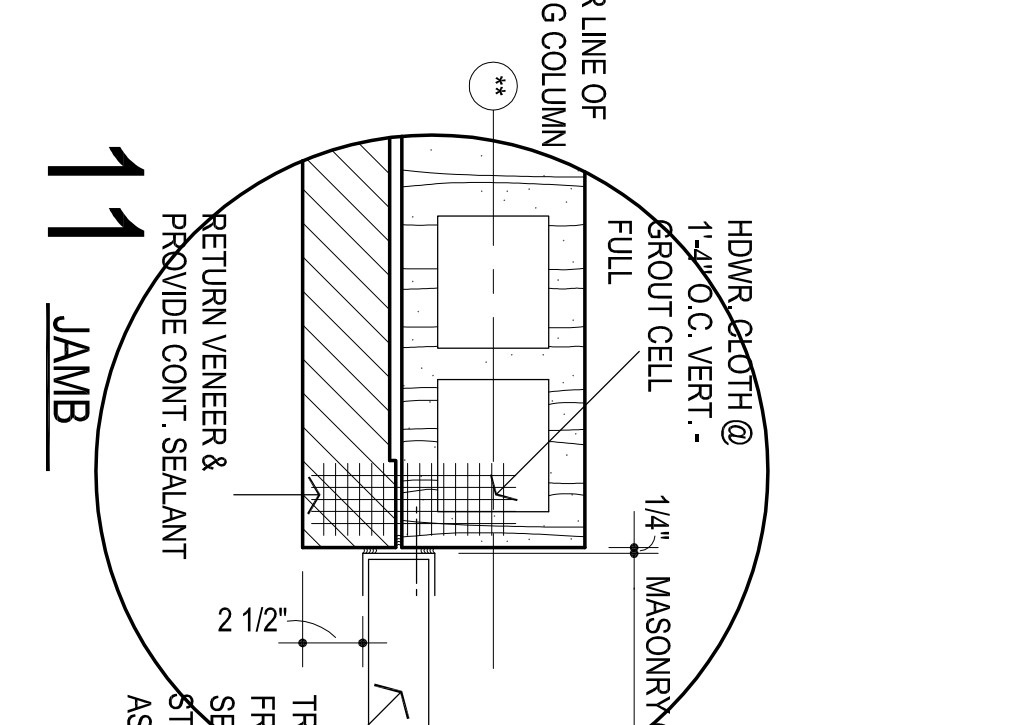
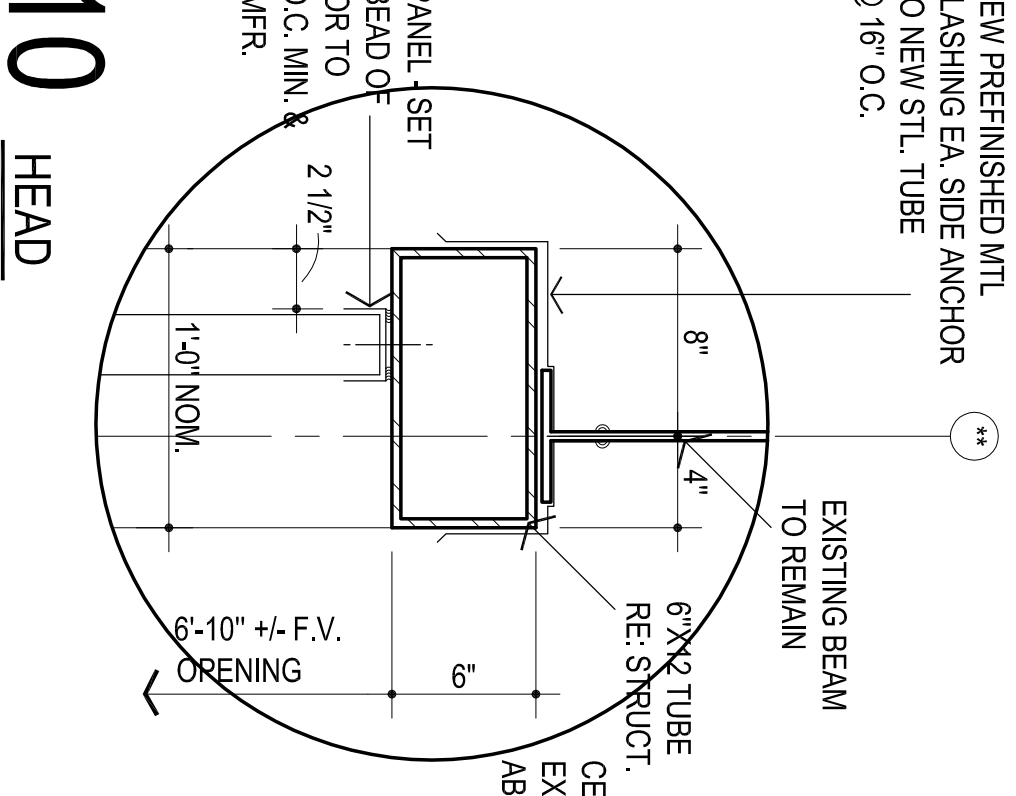
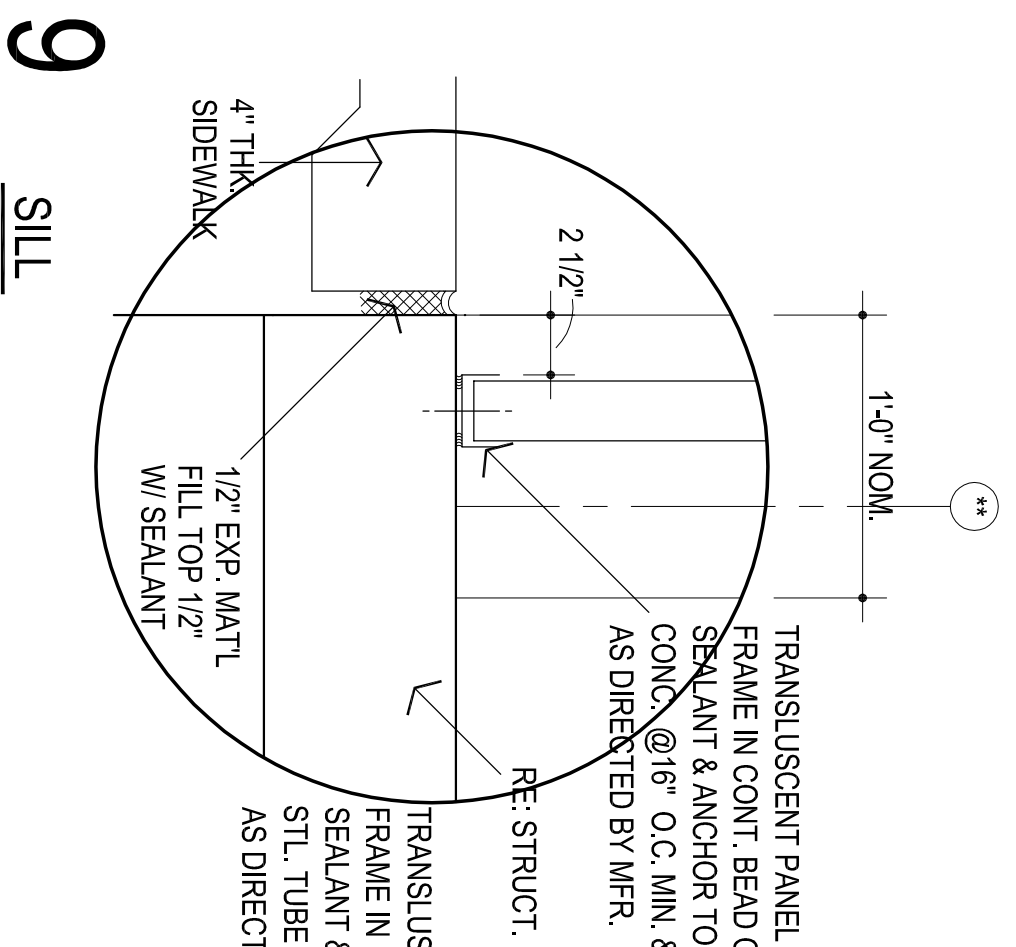
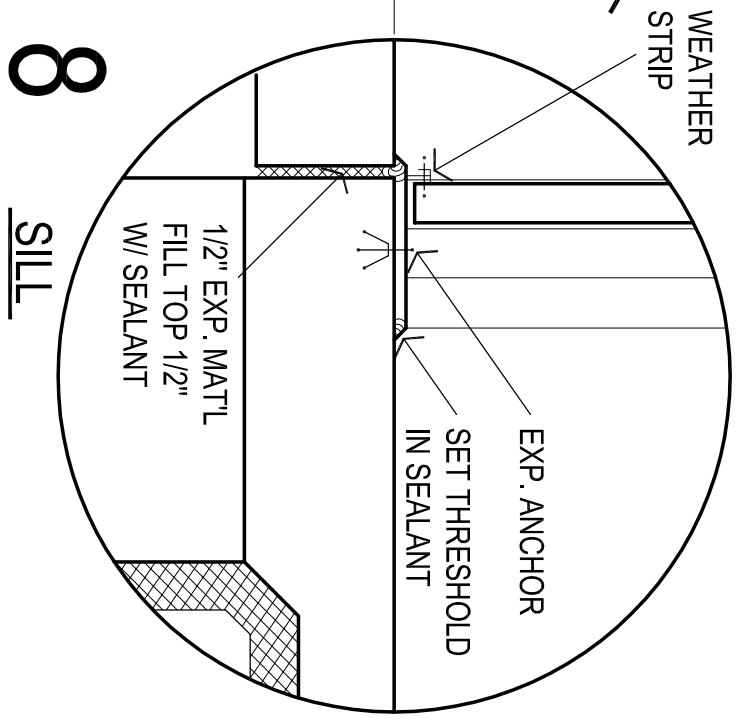
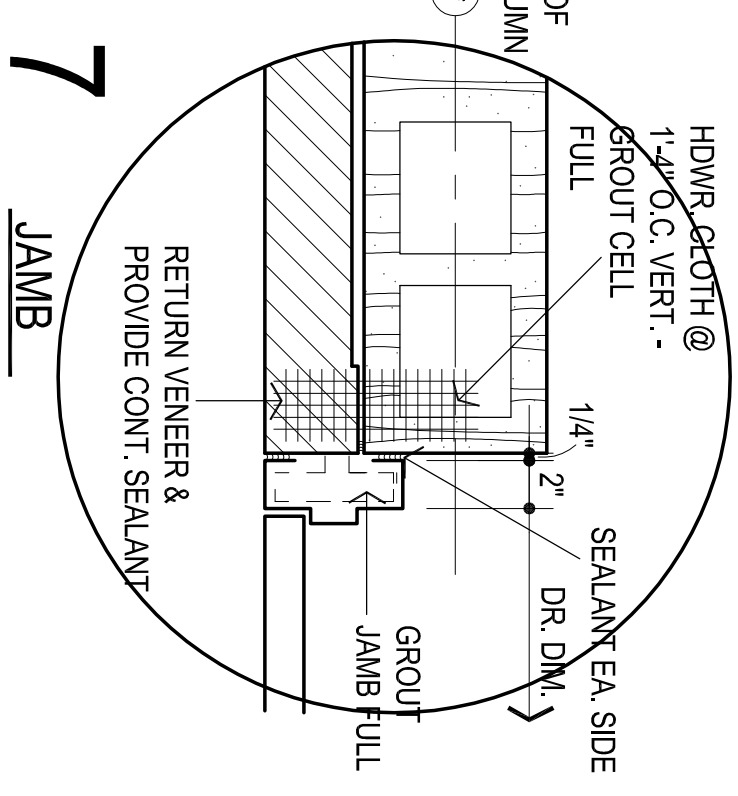
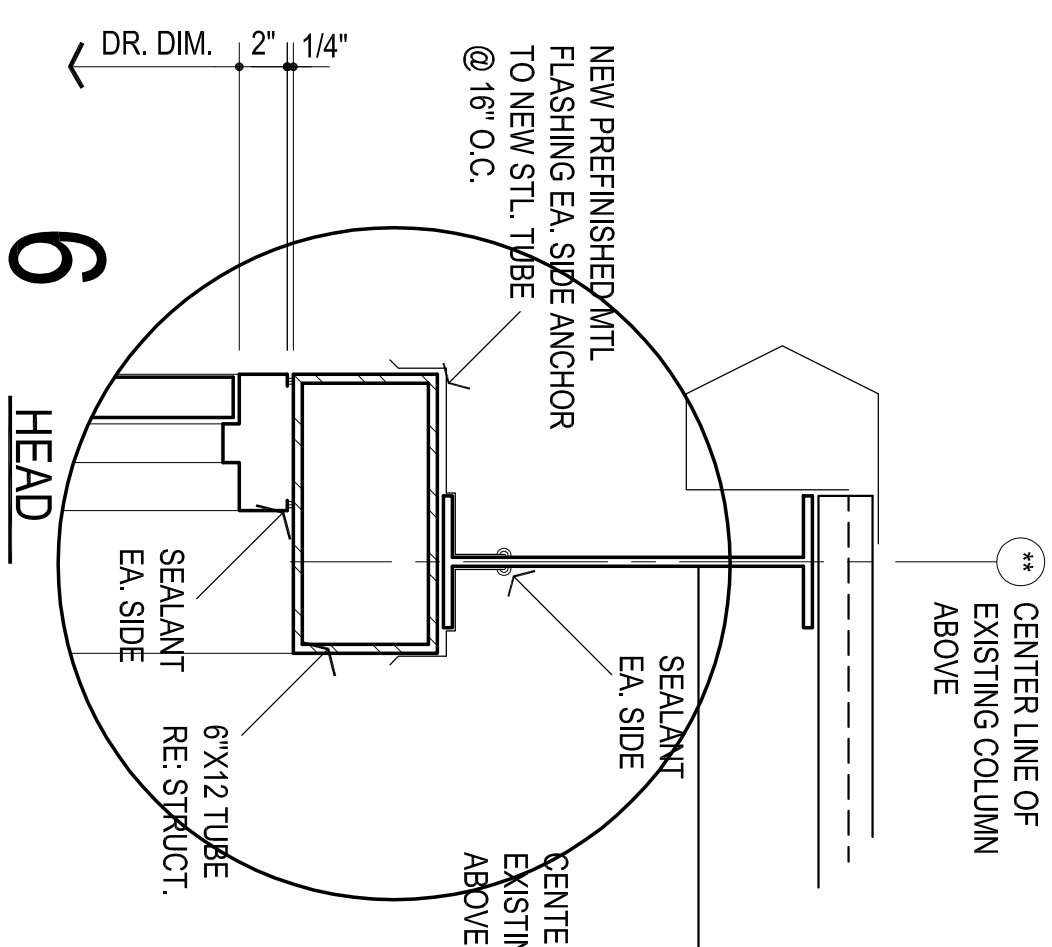
3 FRAME PROFILES



4 FRAME ELEVATIONS



5 DOOR ELEVATIONS



13 EXTERIOR SIGNAGE

NOT TO SCALE

**** -**
REFER 1A100 FOR LOCATIONS
(ALL DOORS & /OR GATES
THRU NEW PERIMETER WALLS
& FENCE) & SPECIFICATIONS
FOR FABRICATION INFORMATION



the Abia Griffin Partnership L.L.C.

201 N. BROADWAY
SUITE 210
MOORE, OK. 73160
405.735.3477
ACGP@theACGP.net
www.theACGP.net

KFC ENGINEERING
STRUCTURAL
SALAS O'BRIEN
MECHANICAL ELECTRICAL



CG
designed by
MA
checked by
FEBRUARY 2024
088
revisions

MOORE PUBLIC SCHOOLS
BOARD OF EDUCATION
MOORE, OKLAHOMA



SECURITY UPGRADES
SANTA FE
ELEMENTARY SCHOOL

Sheet No.
A601

OWNERSHIP USE OF DOCUMENTS:
AGP EXPRESSLY RESERVES ITS
COPYRIGHT AND OTHER PROPERTY
RIGHTS OF ALL PLANS AND DRAWINGS
DESIGNED AND/OR PRODUCED HEREIN.
NO PARTS OF THIS DOCUMENT SHALL
BE REPRODUCED IN ANY FORM OR MANNER
WITHOUT THE EXPRESSED WRITTEN
CONSENT OF AGP.