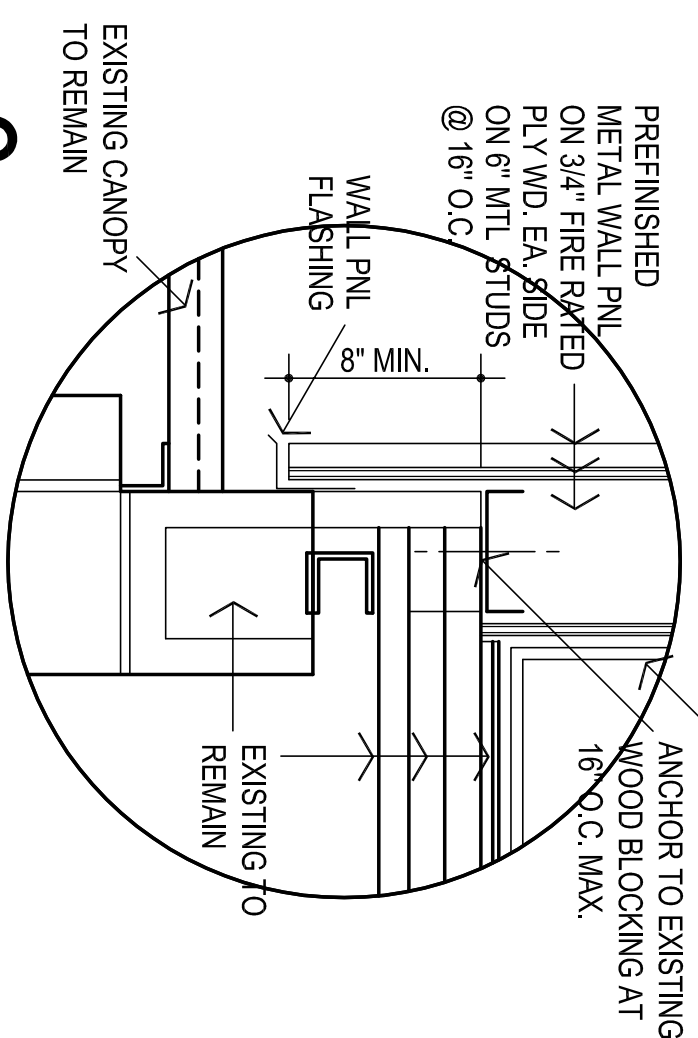
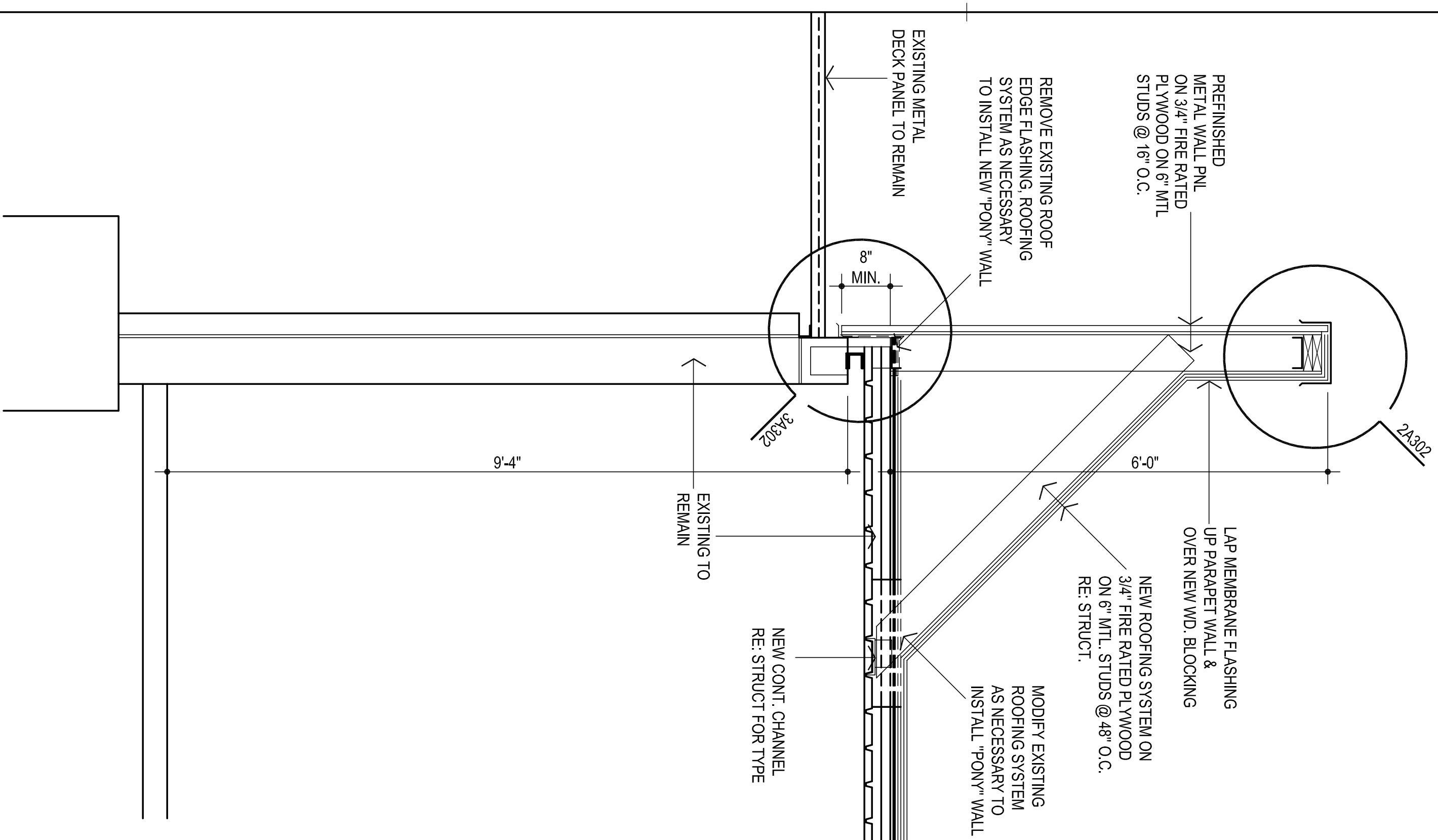


2

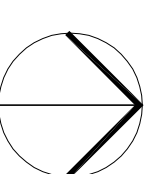


3

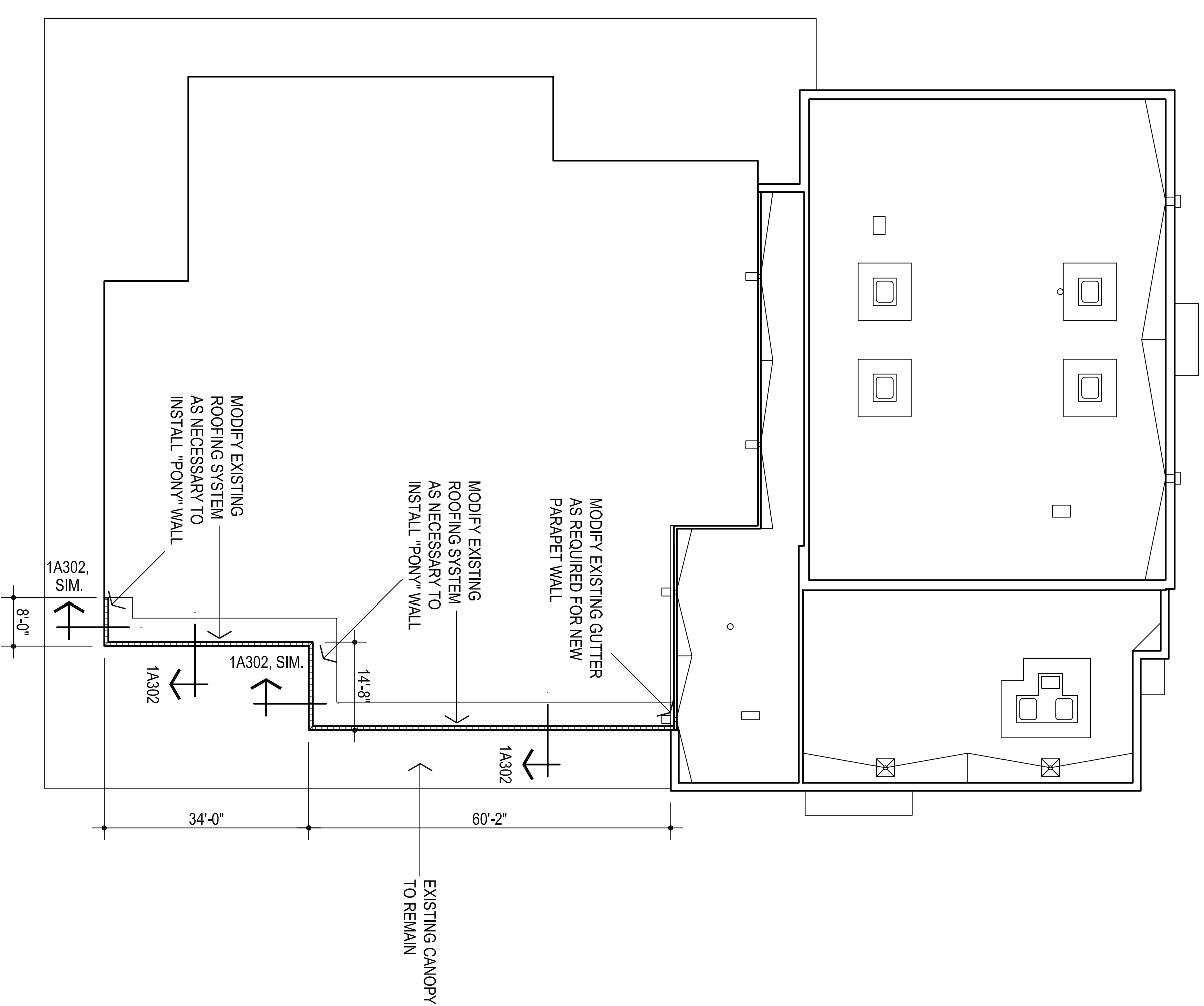


1 WALL SECTION  
3/4" = 1'-0"

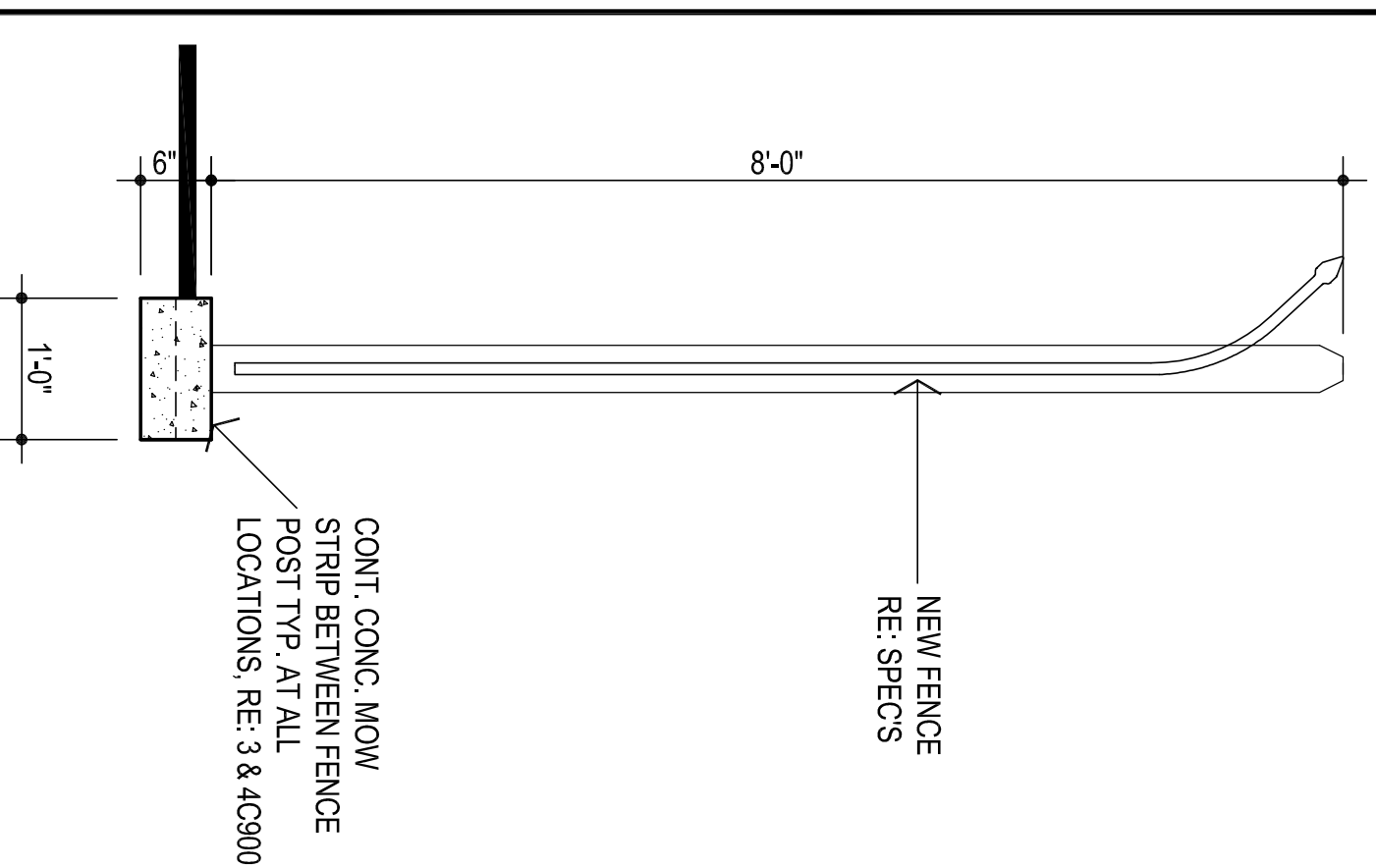
NORTH



4 PARAPET WALL LOCATION PLAN  
1/16" = 1'-0"



5 FENCE SECTION  
3/4" = 1'-0"



**AGP**

the Abila Griffin  
Partnership L.L.C.

201 N. BROADWAY  
SUITE 210  
MOORE, OK. 73160  
405.735.3477  
AGP@theAGP.net  
www.theAGP.net

KFC ENGINEERING

STRUCTURAL

SALAS OBRIEN

MECHANICAL/ELECTRICAL



CS  
drawn by  
MA  
checked by  
FEBRUARY 2024  
0888  
revisions

MOORE PUBLIC SCHOOLS  
BOARD OF EDUCATION  
MOORE, OKLAHOMA

**MOORE** Public Schools  
LEARNING FOR LIFE

SECURITY UPGRADES  
SANTA FE  
ELEMENTARY SCHOOL

Sheet No.

**A302**

WALL SECTIONS  
OWNERSHIP USE OF DOCUMENTS:  
AGP EXPRESSLY RESERVES ITS  
COPYRIGHT AND OTHER PROPERTY  
RIGHTS OF ALL PLANS AND DRAWINGS  
DESIGNED AND/OR PRODUCED. PLANS  
REPRODUCED IN ANY FORM OR MANNER  
WITHOUT THE EXPRESSED WRITTEN  
CONSENT OF AGP.