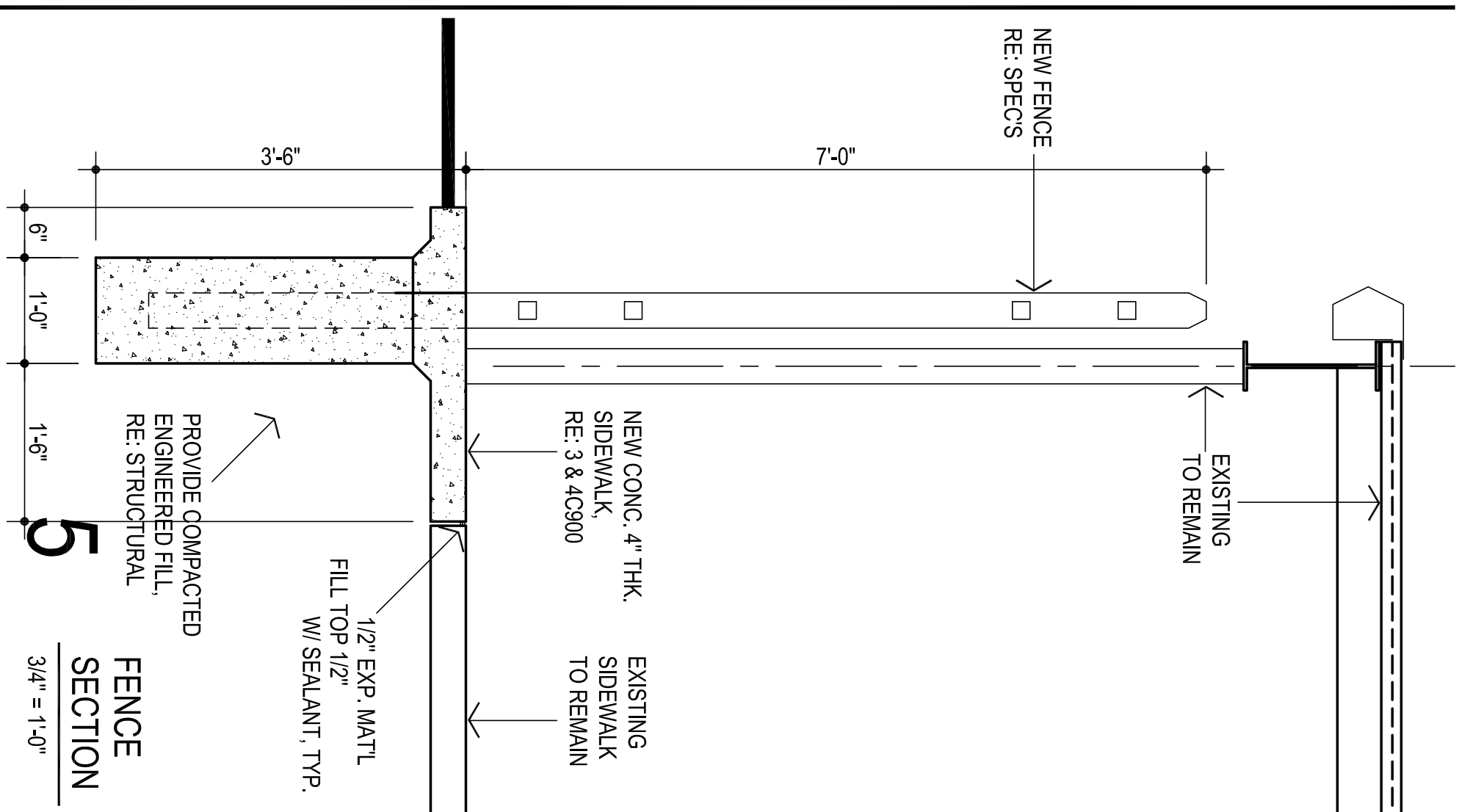
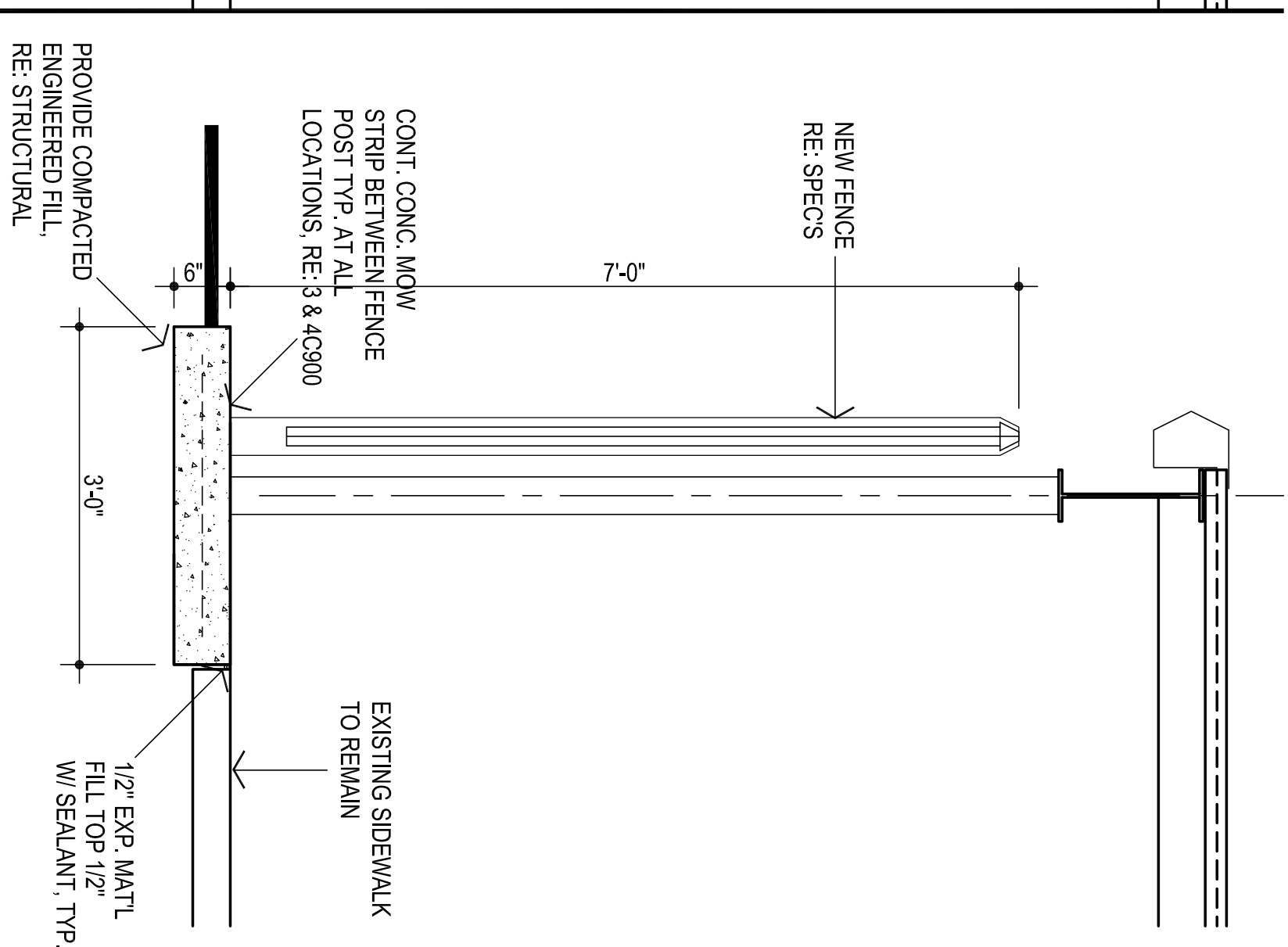




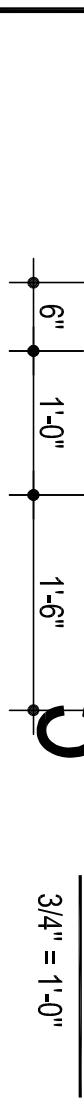
12 FENCE SECTION BETWEEN NEW FOOTINGS

3/4" = 1'-0"



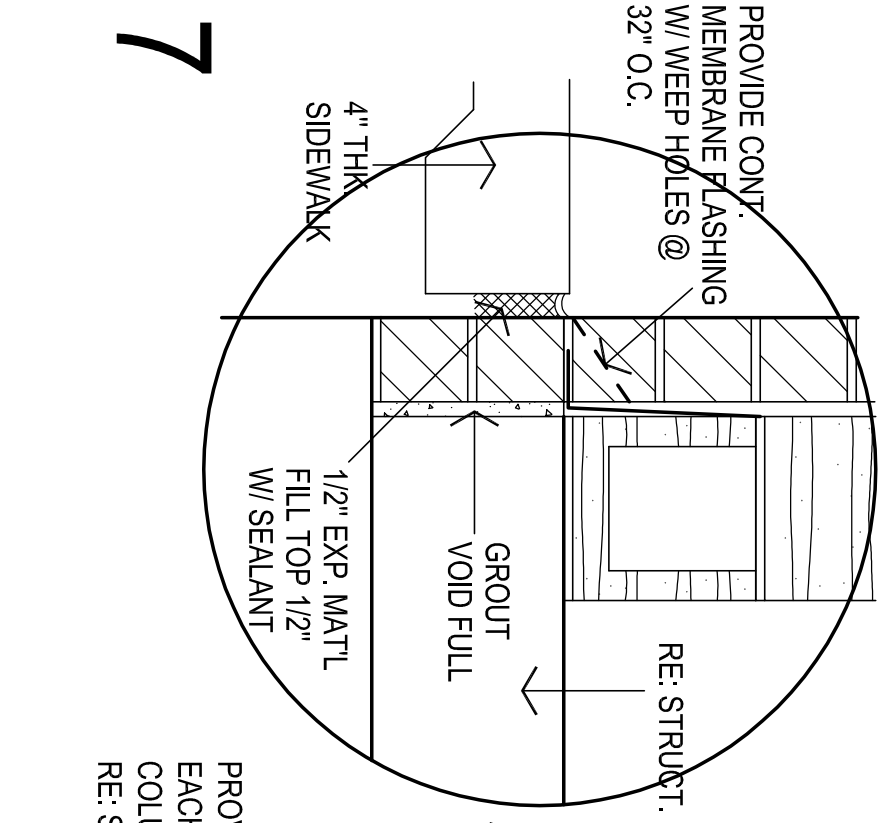
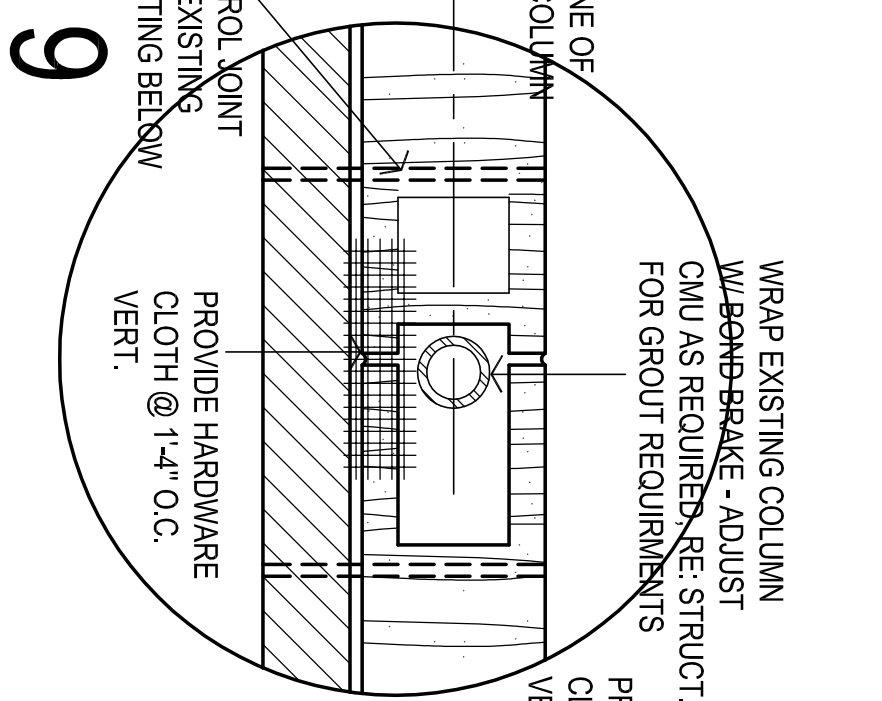
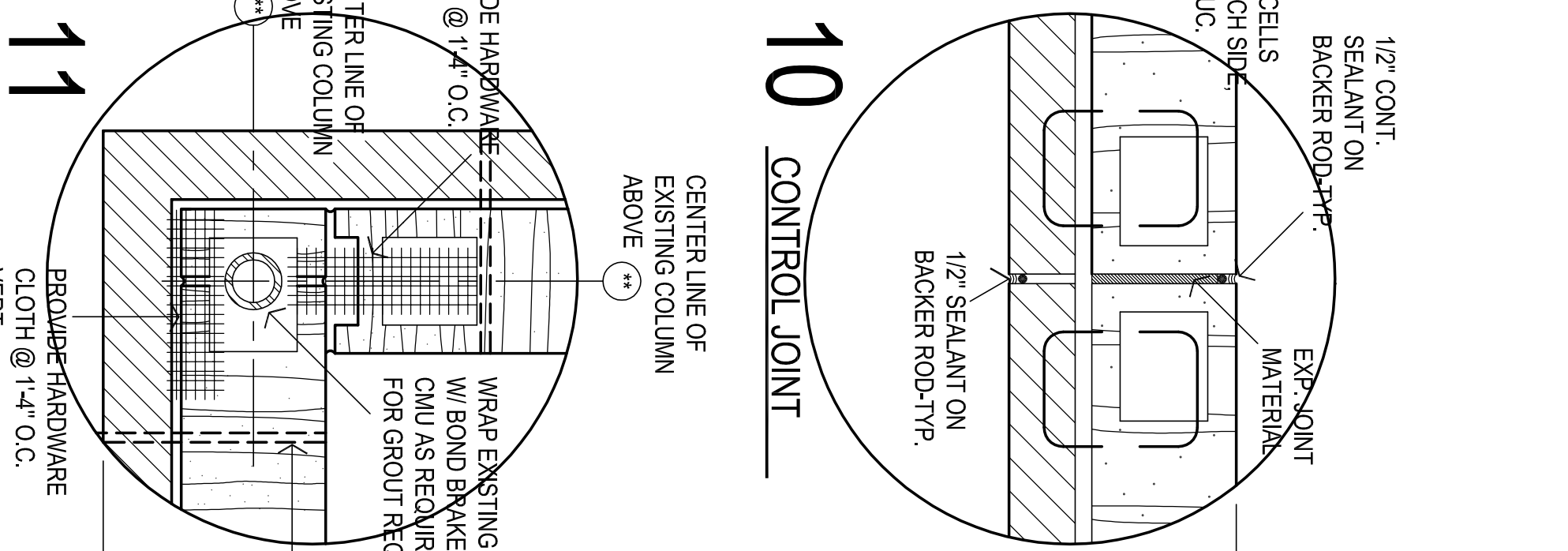
5 FENCE SECTION

3/4" = 1'-0"



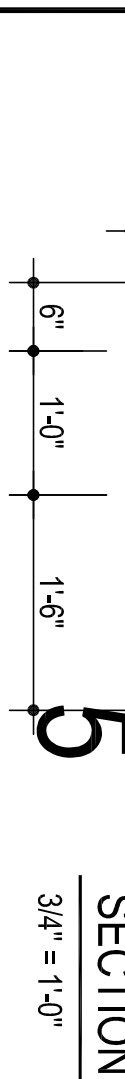
10 CONTROL JOINT

8 EXPANSION JT.



9

11



4 WALL SECTION

3/4" = 1'-0"



3 WALL SECTION

3/4" = 1'-0"



2 WALL SECTION

3/4" = 1'-0"



1 WALL SECTION

3/4" = 1'-0"

