



Signature
2/13/24

CG	drawn by
MA	checked by
FEBRUARY 2024	date
revisions	
1	6-17-24

MOORE PUBLIC SCHOOLS
BOARD OF EDUCATION
MOORE, OKLAHOMA

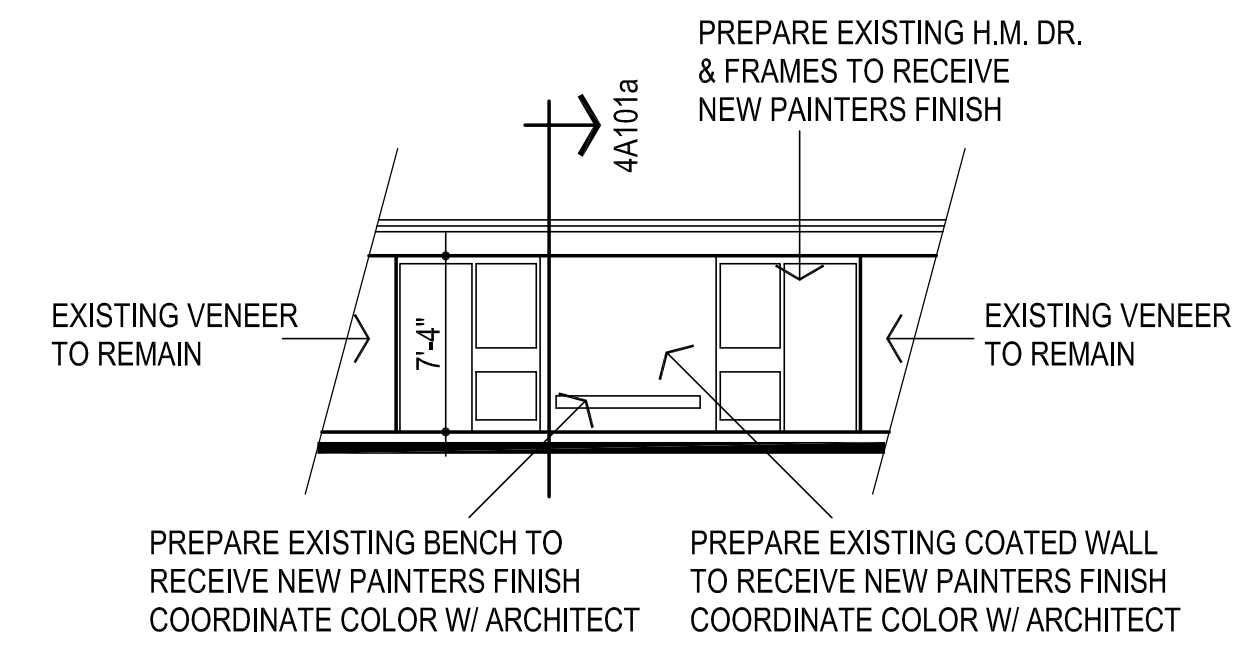


SECURITY UPGRADES
SANTA FE
ELEMENTARY SCHOOL

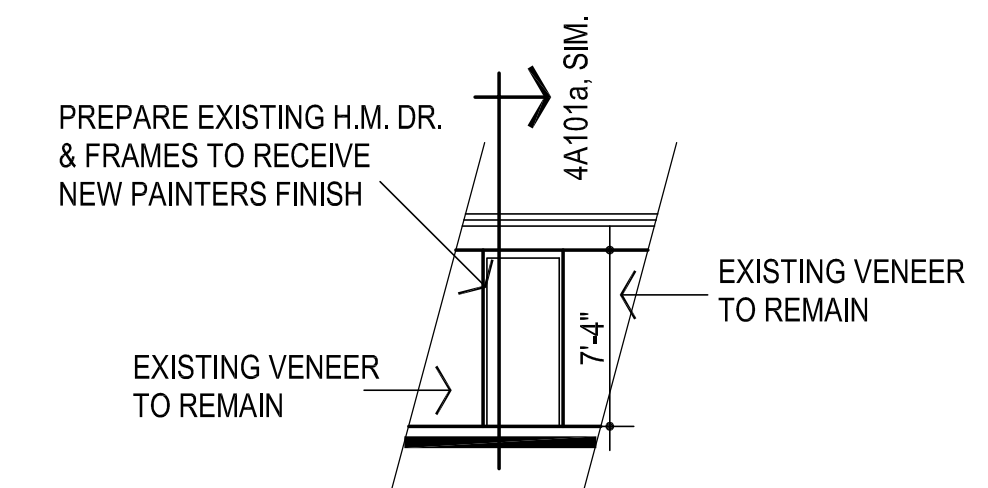
Sheet no:

A100a

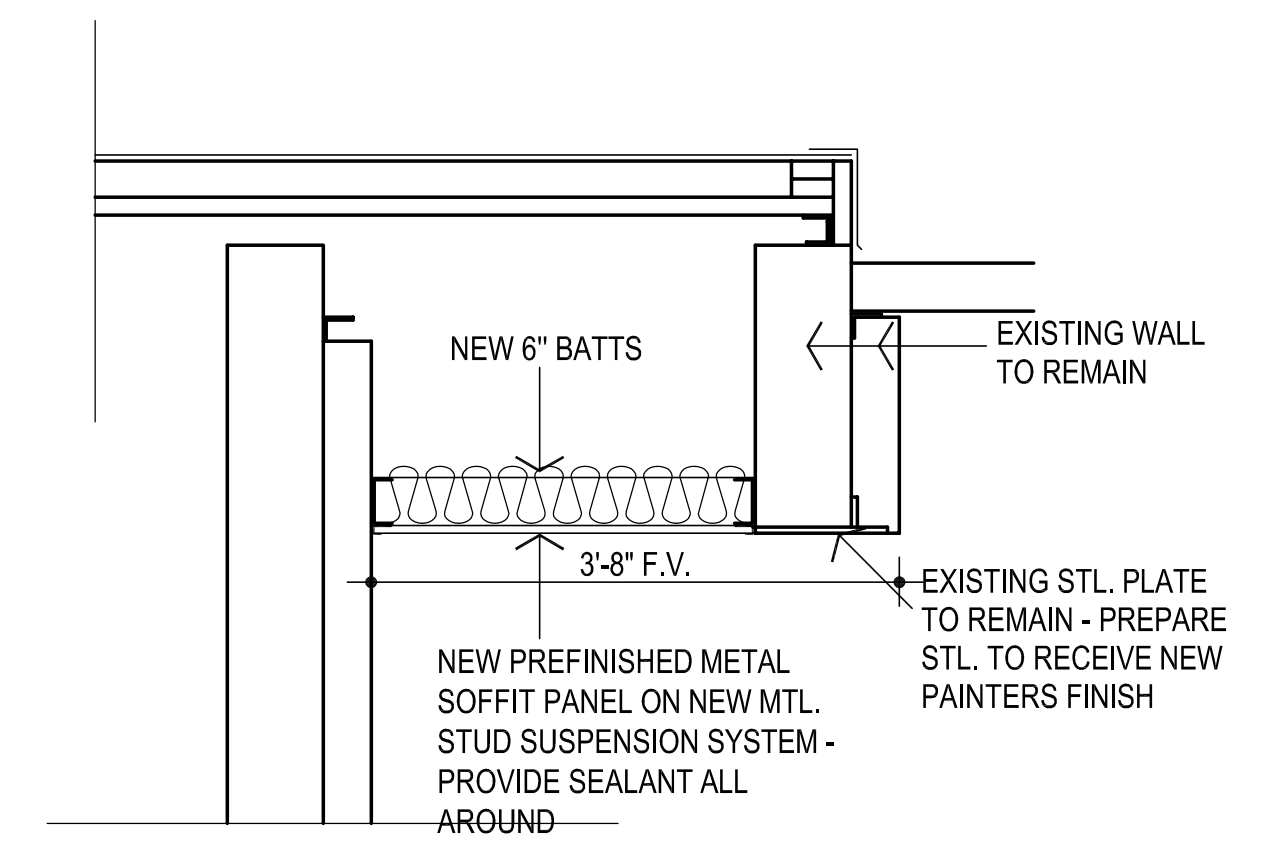
OWNERSHIP USE OF DOCUMENTS:
AGP EXPRESSLY RESERVES ITS
COPYRIGHT AND OTHER PROPERTY
RIGHTS OF ALL PLANS AND DRAWINGS
DESIGNED AND/OR PRODUCED. PLANS
AND DRAWINGS ARE NOT TO BE
REPRODUCED IN ANY FORM OR MANNER
WITHOUT THE EXPRESSED WRITTEN
CONSENT OF AGP.



2 TYPICAL ELEVATION
1/8" = 1'-0"

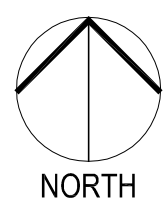
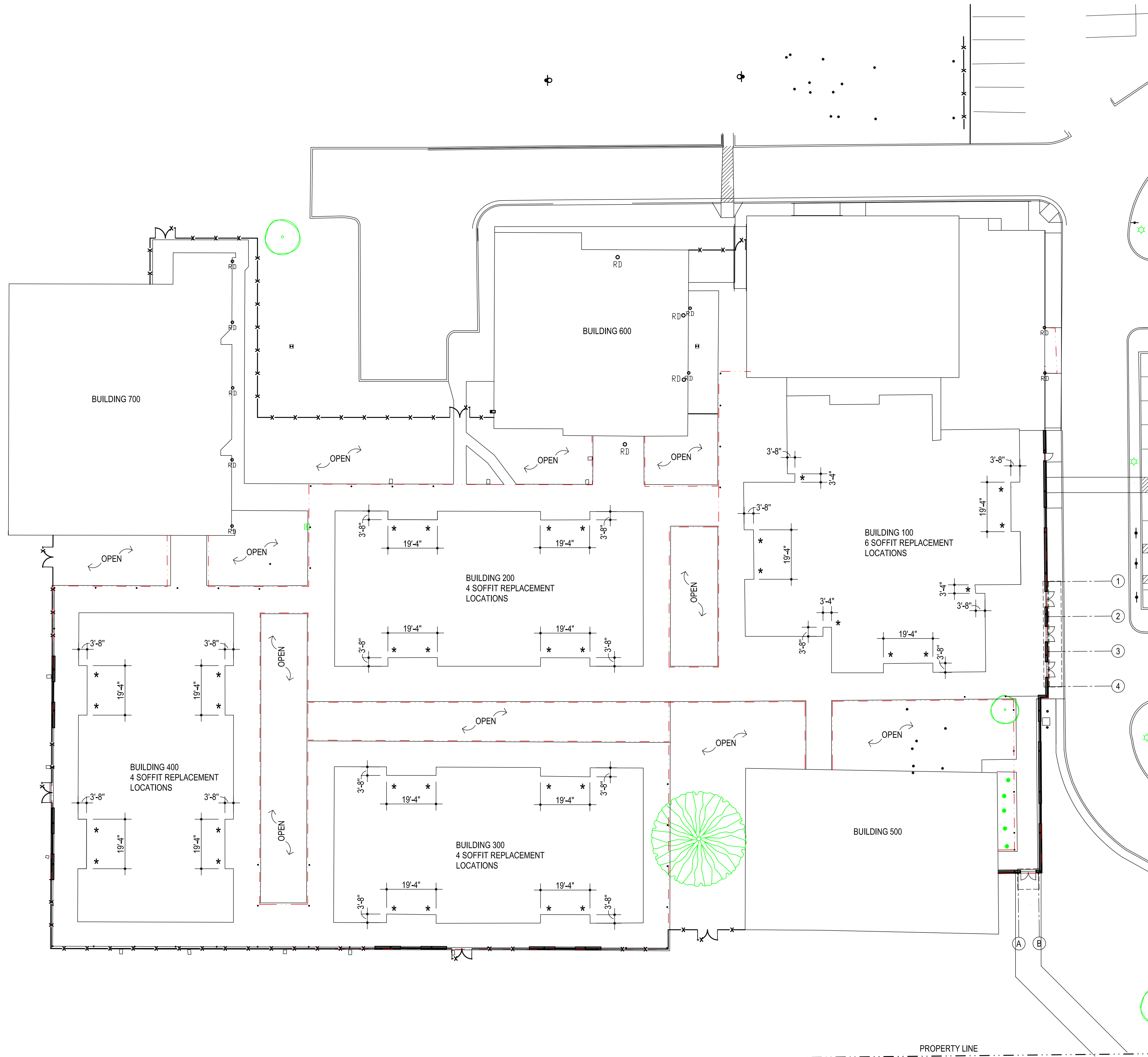


3 TYPICAL ELEVATION
1/8" = 1'-0"



4 SECTION
3/4" = 1'-0"

DEMOLITION NOTES:
1. REMOVE EXISTING FRAMING & SOFFIT SYSTEM AS REQUIRED. PREPARE OPENING FOR NEW SOFFIT



1 SOFFIT REPLACEMENT PLAN
1" = 20'-0"

LEGEND:
* INDICATES EXISTING SOFFIT TO BE REPLACED
RE: 2 & 3A100a

