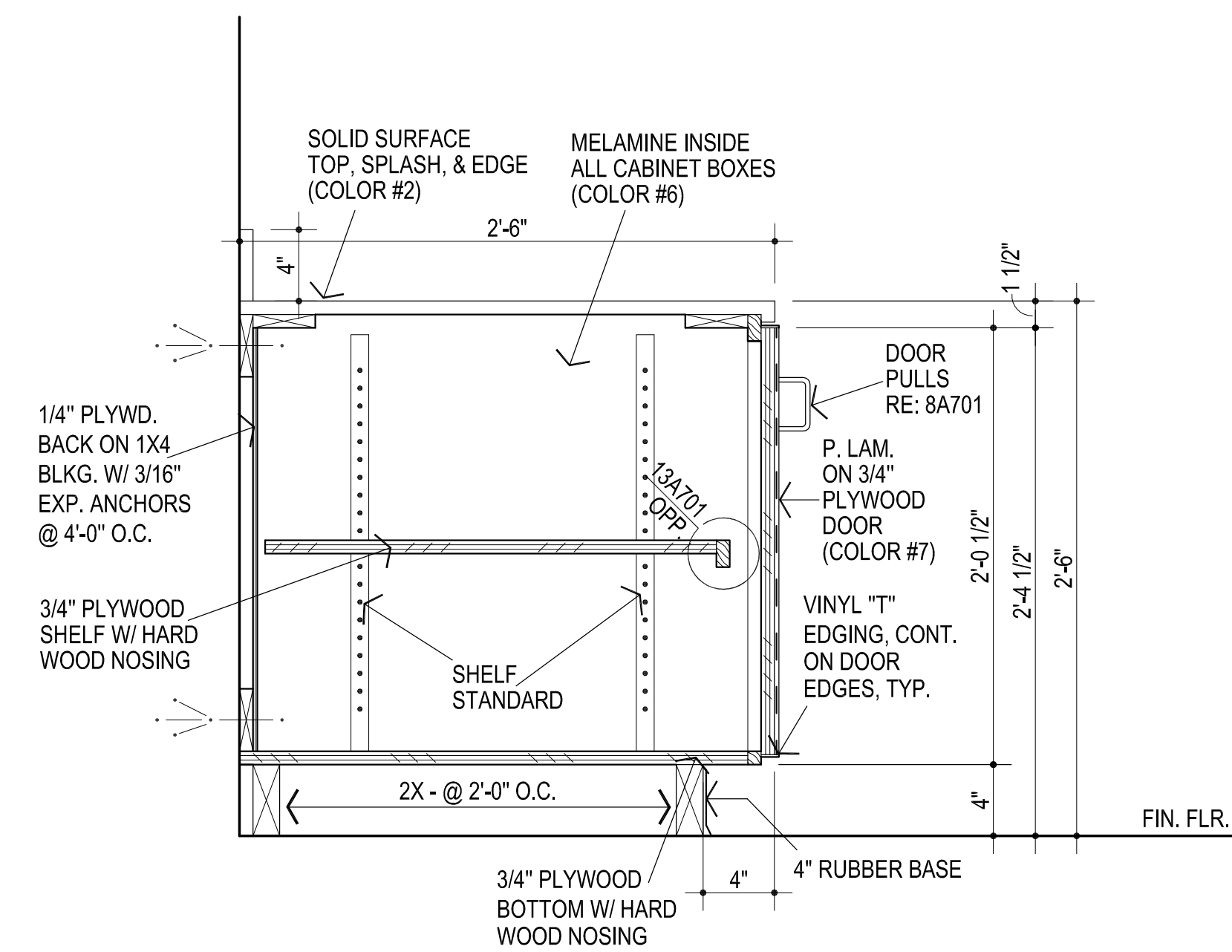
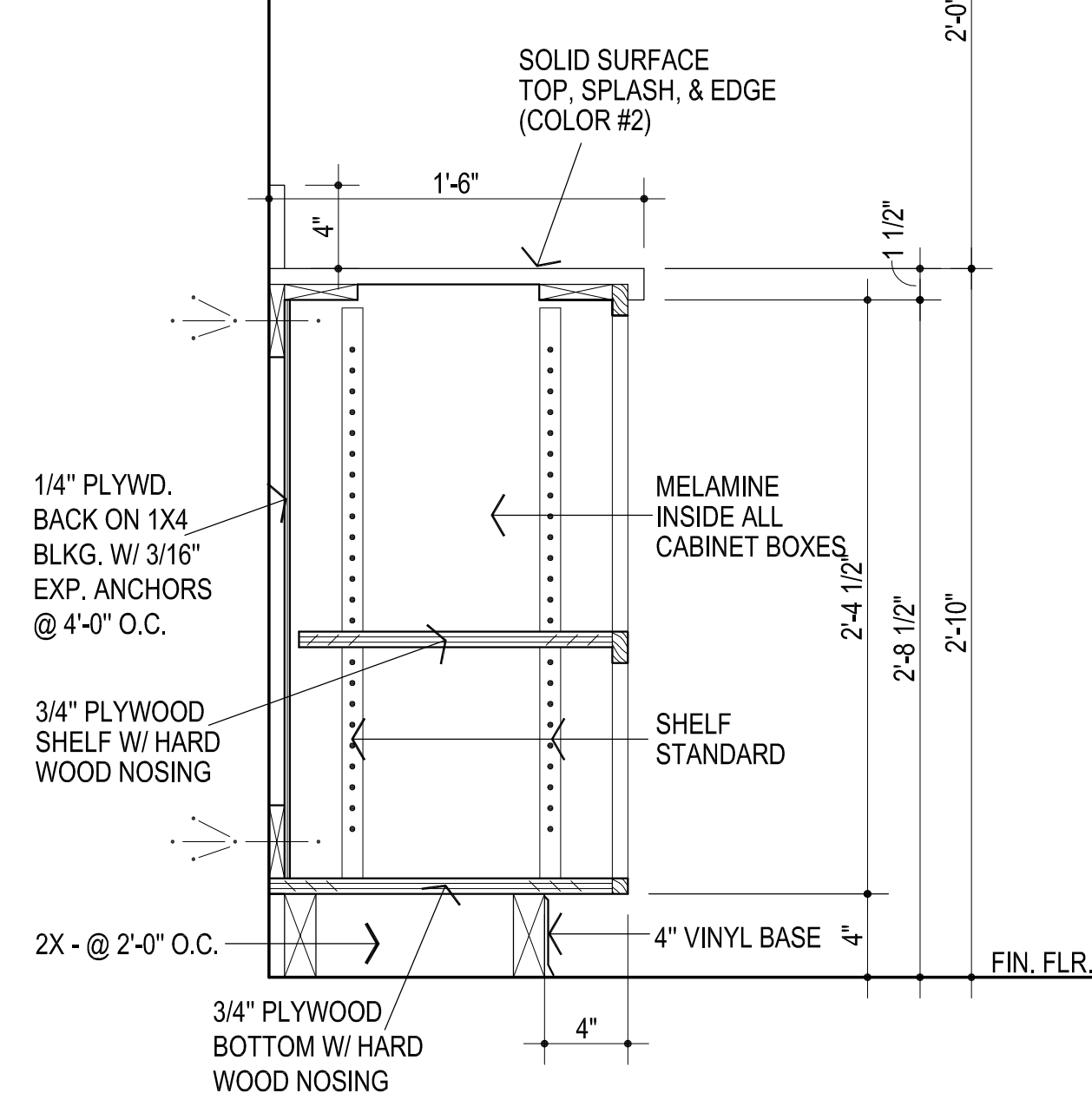
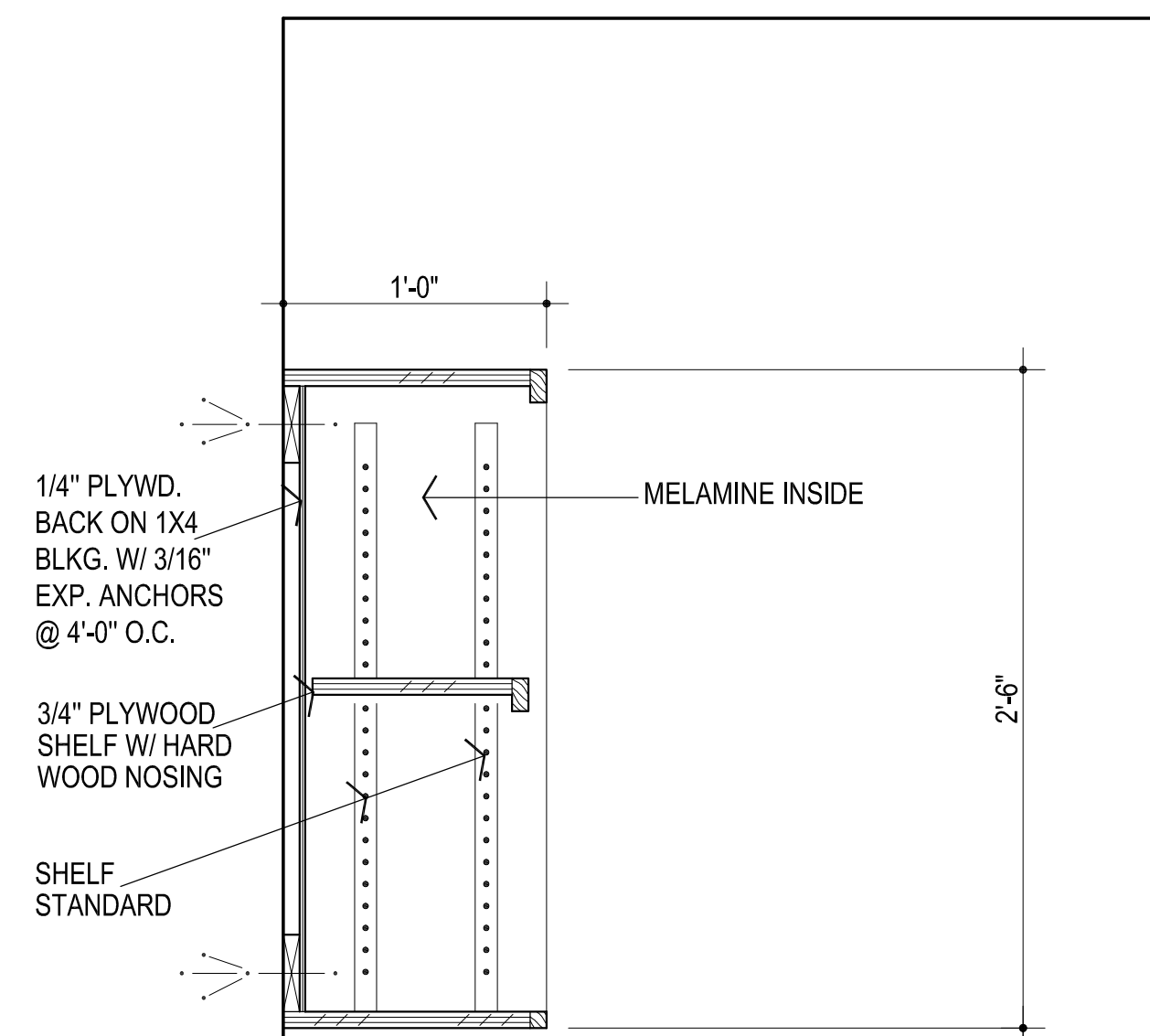


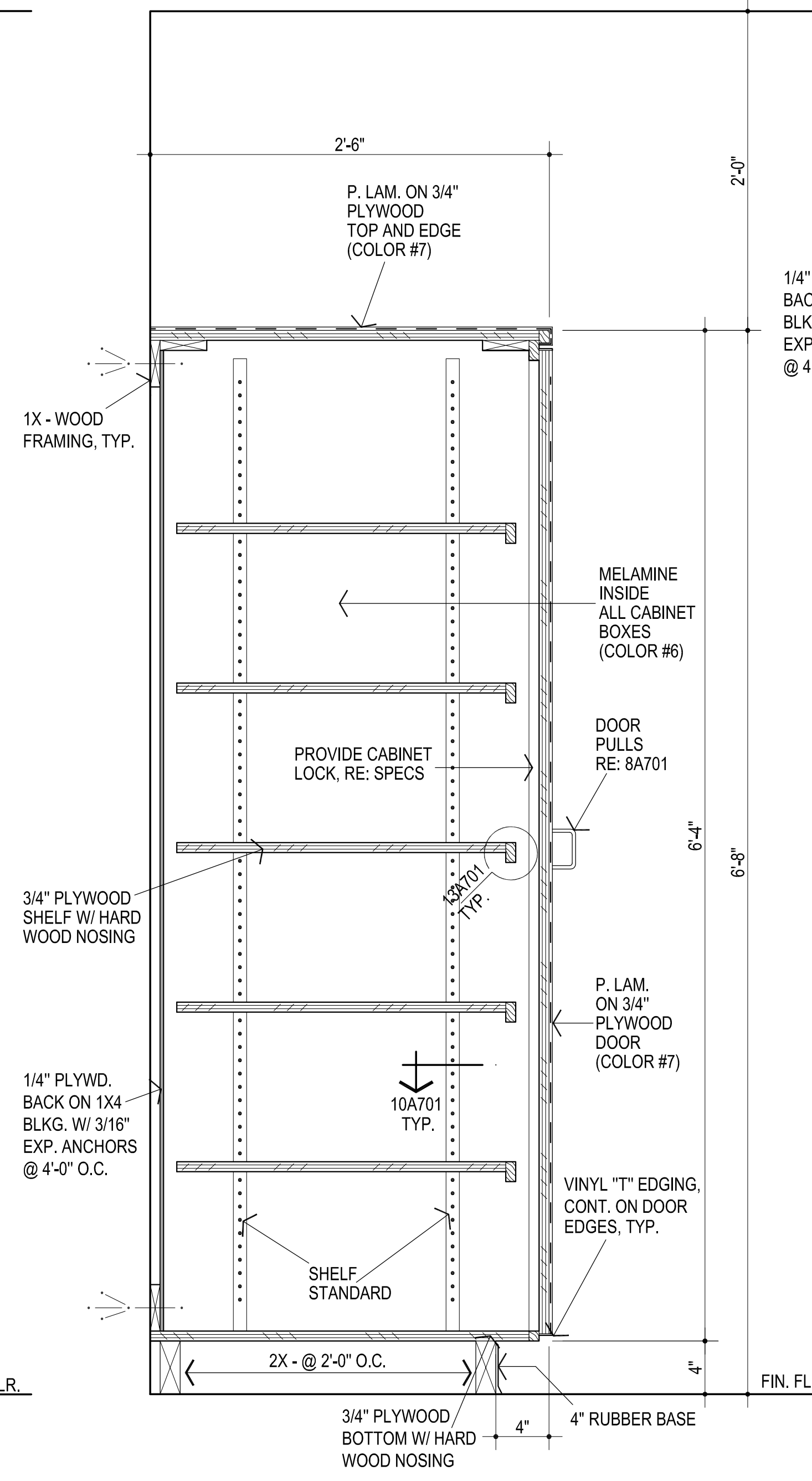
1 BASE CABINET W/ DRAWERS
1 1/2" = 1'-0"



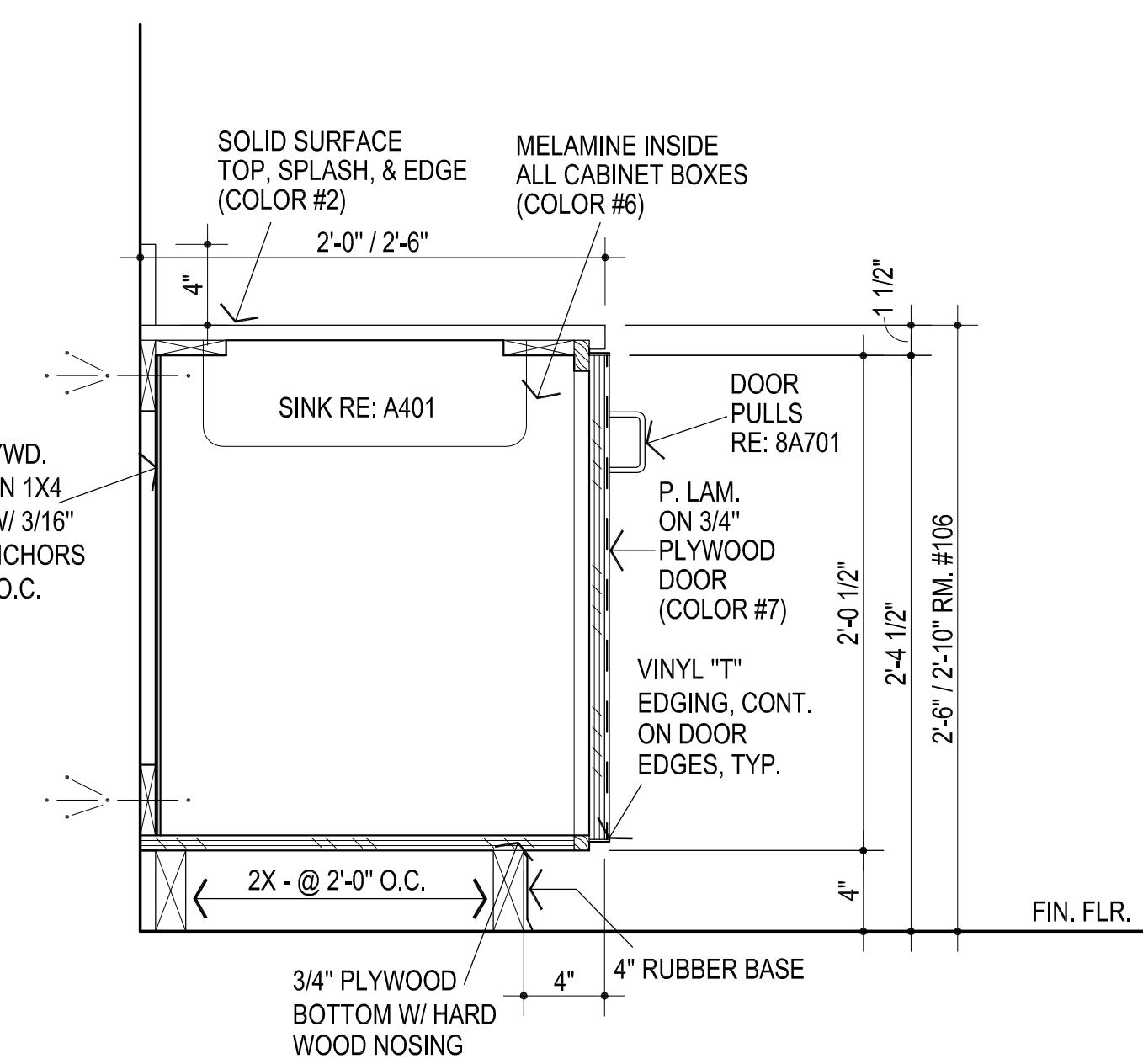
2 BASE CABINET
1 1/2" = 1'-0"



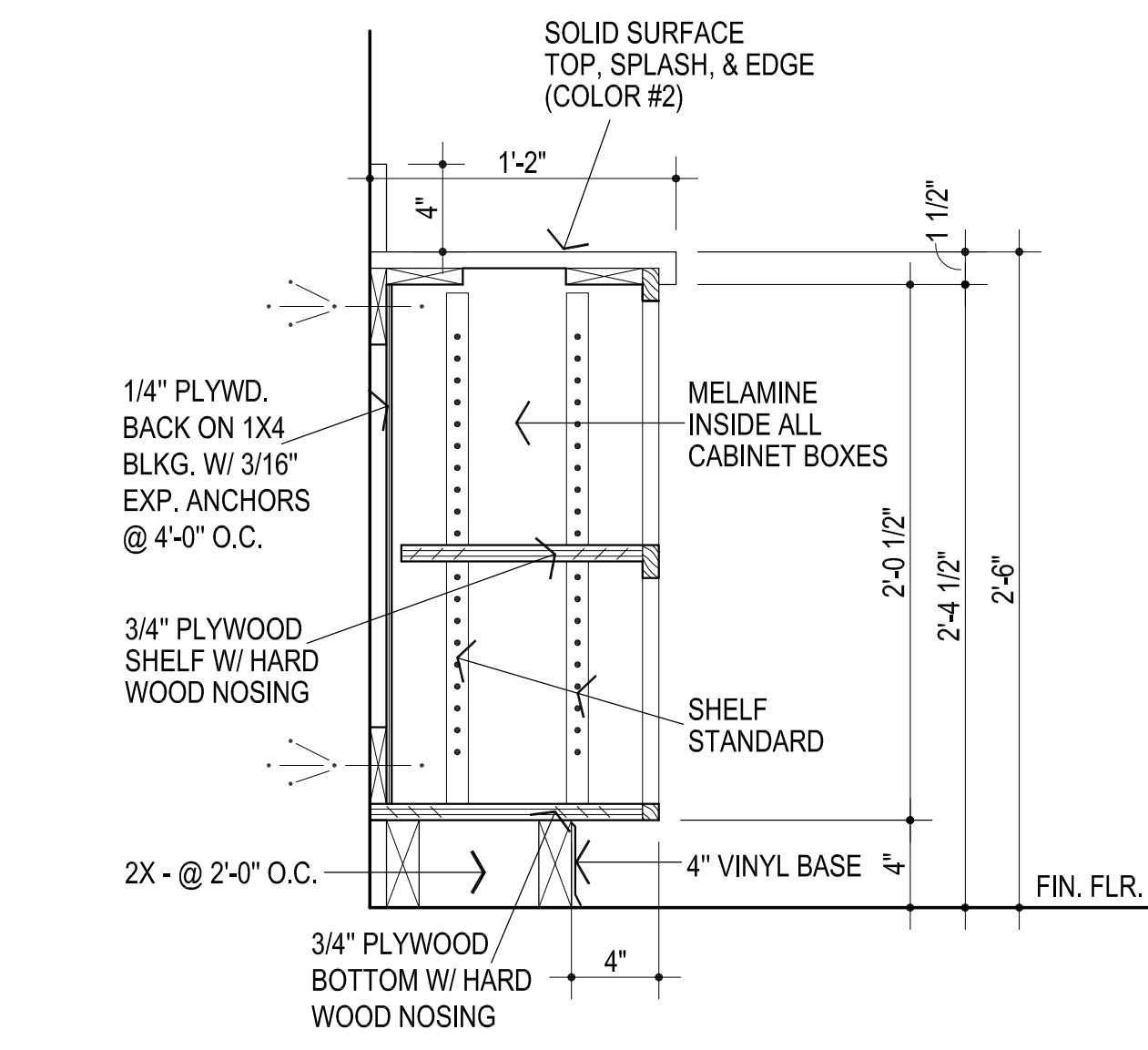
3 OPEN SHELVING
1 1/2" = 1'-0"



4 TALL CABINET
1 1/2" = 1'-0"



5 SINK SECTION
1 1/2" = 1'-0"

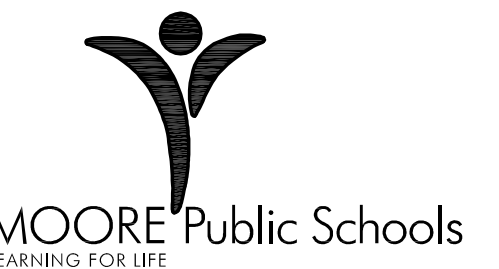


6 BASE CABINET W/ SHELVES
1 1/2" = 1'-0"



CG	
drawn by	
MA	
checked by	
JANUARY 2024	
date	
revisions	

MOORE PUBLIC SCHOOLS
BOARD OF EDUCATION
MOORE, OKLAHOMA



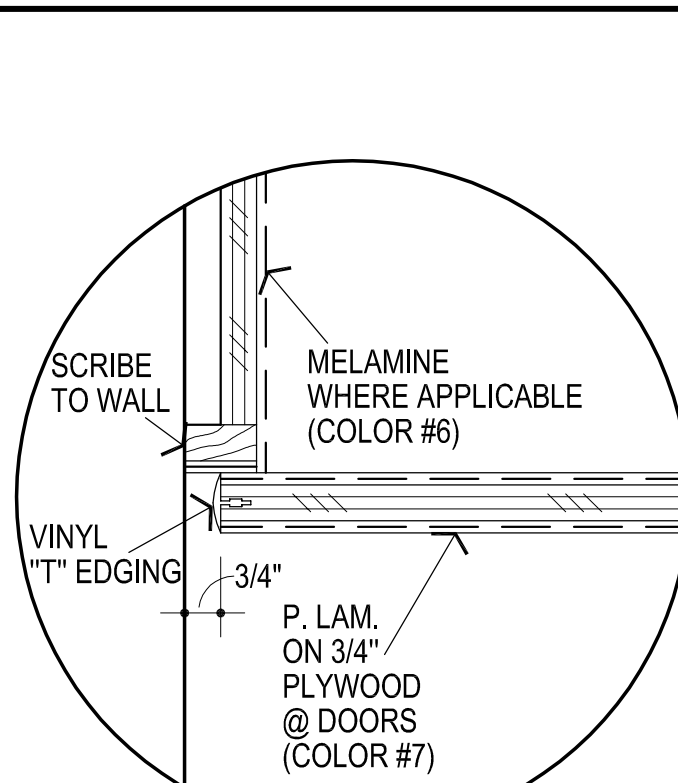
FRAMELESS CABINET / EUROPEAN
CONSTRUCTION IS ACCEPTABLE

SANTA FE
ELEMENTARY SCHOOL
2024 MILLWORK
REPLACEMENT

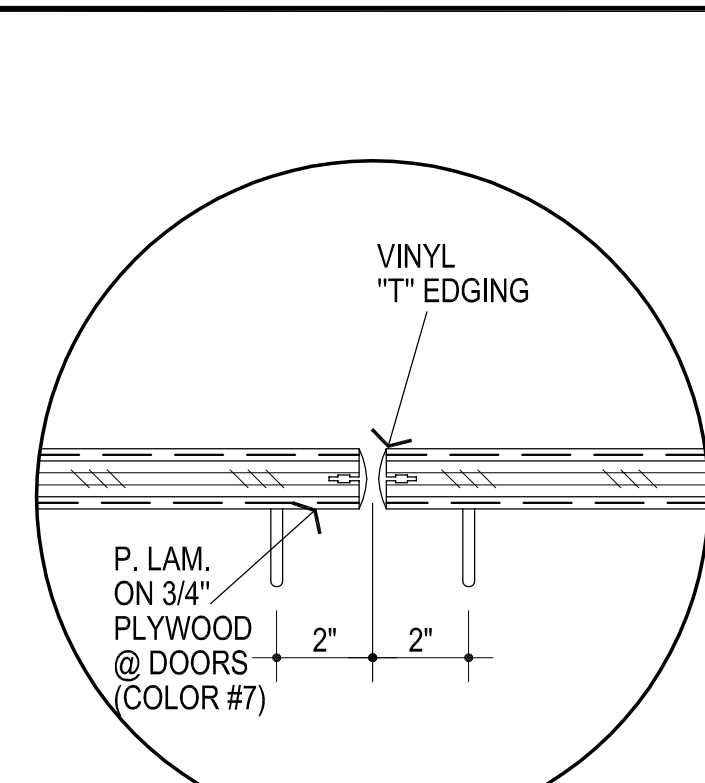
sheet no:

A701

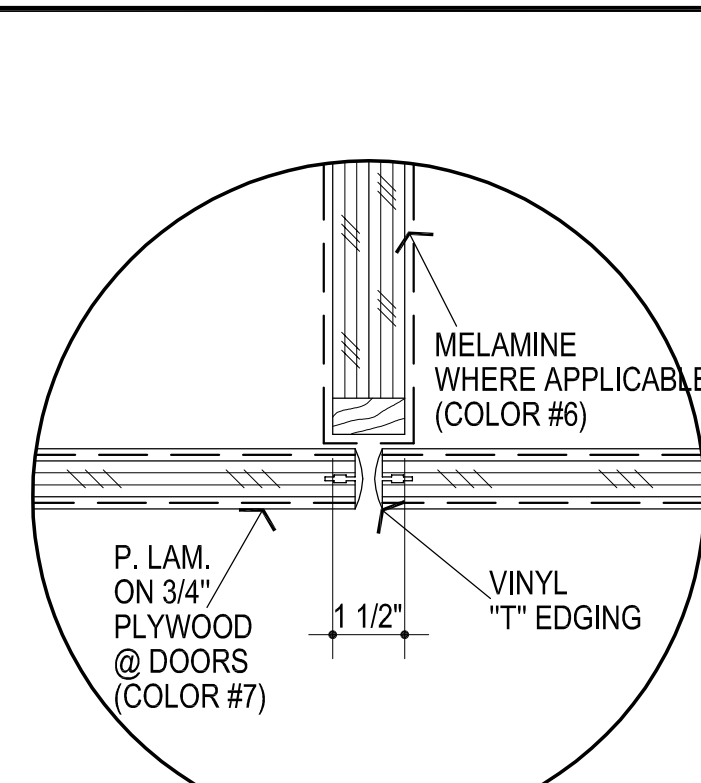
OWNERSHIP USE OF DOCUMENTS:
AGP EXPRESSLY RESERVES ITS
COPYRIGHT AND OTHER PROPERTY
RIGHTS OF ALL PLANS AND DRAWINGS
DESIGNED AND/OR PRODUCED. PLANS
AND DRAWINGS ARE NOT TO BE
REPRODUCED IN ANY FORM OR MANNER
WITHOUT THE EXPRESSED WRITTEN
CONSENT OF AGP.



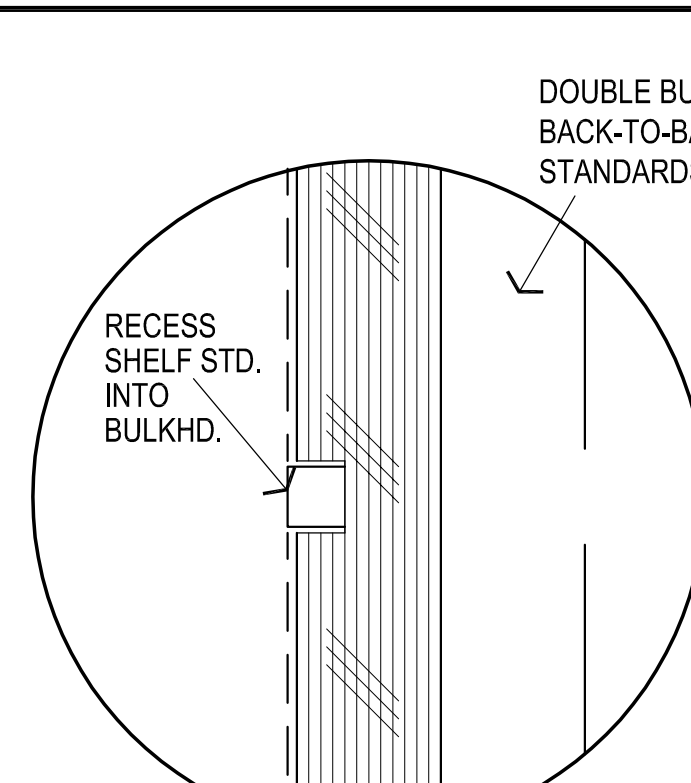
7 DOOR @ WALL



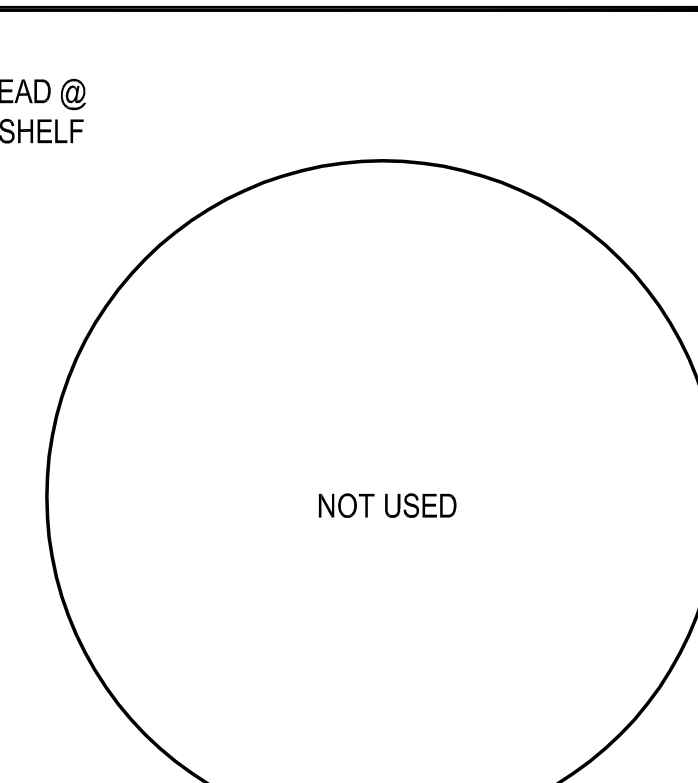
8 PULLS



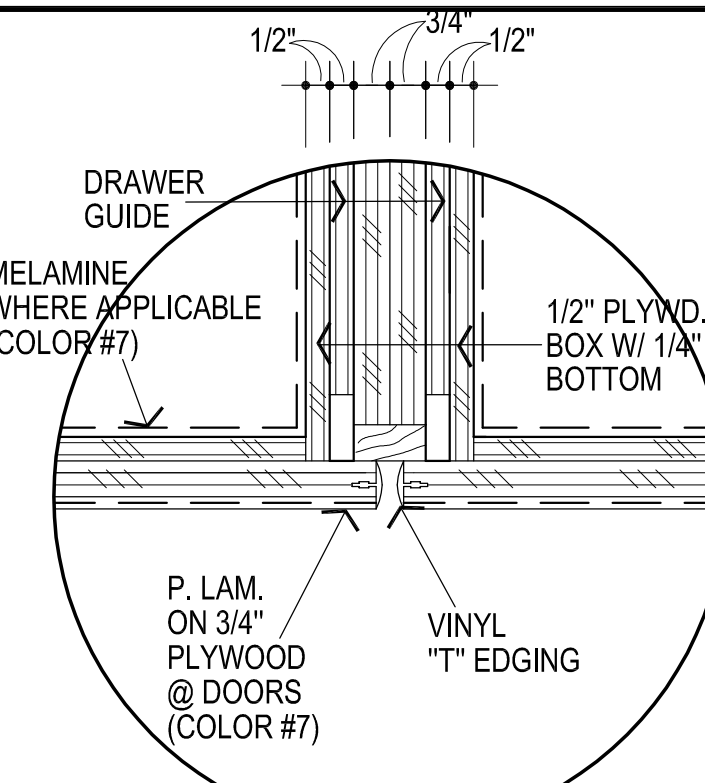
9 DOORS @ STILE



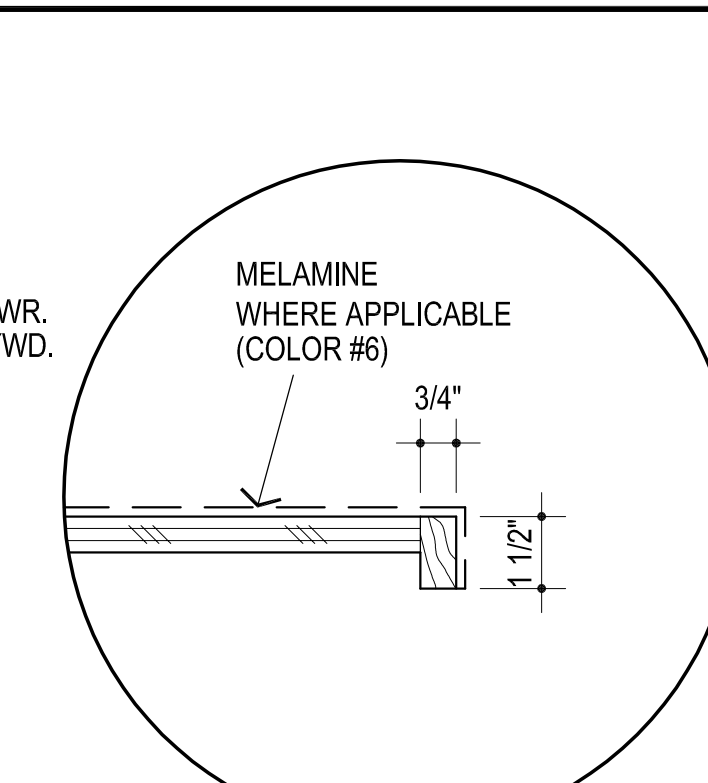
10 RECESSED STANDARDS



11



12 DRWR. TO DRWR.



13 SHELF EDGE