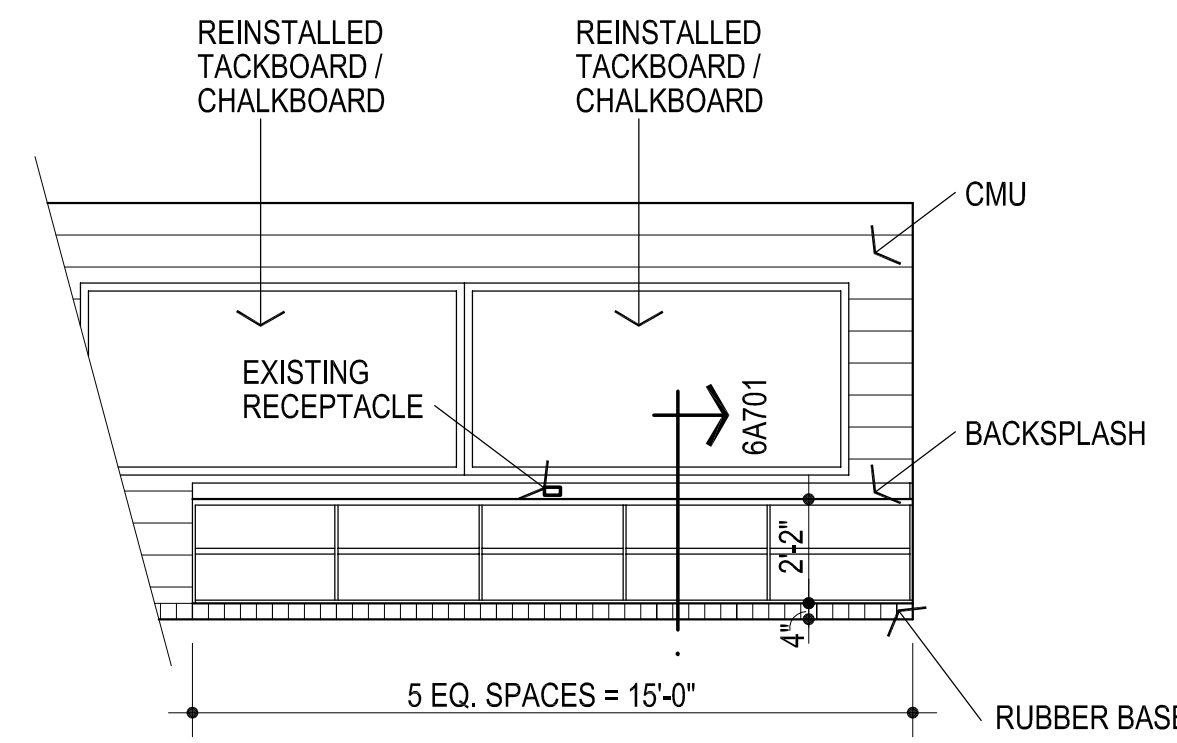
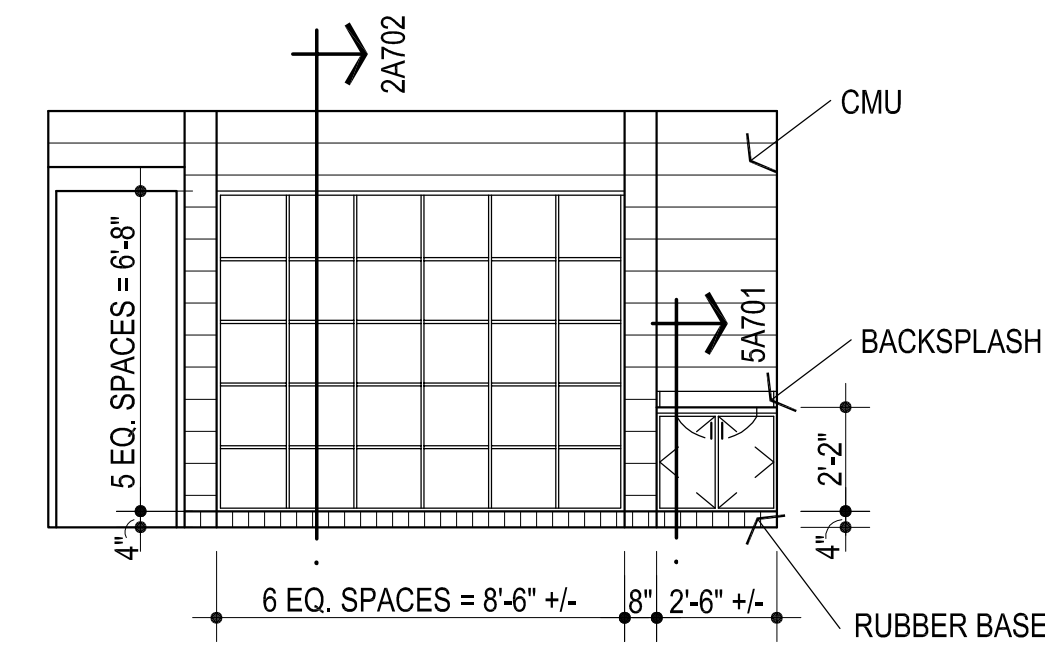


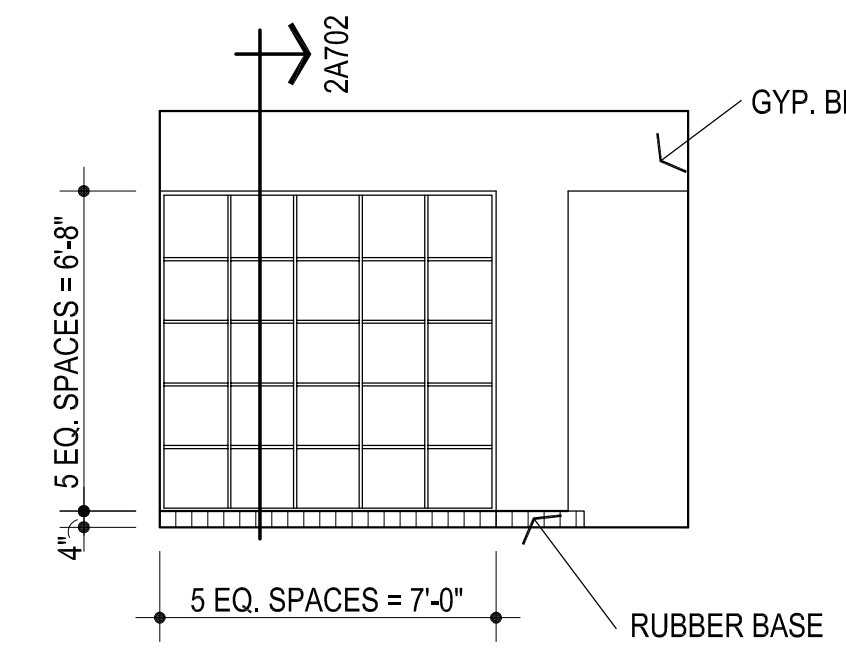
**1** ELEVATION @ TYP. CLASSROOM  
1/4" = 1'-0"



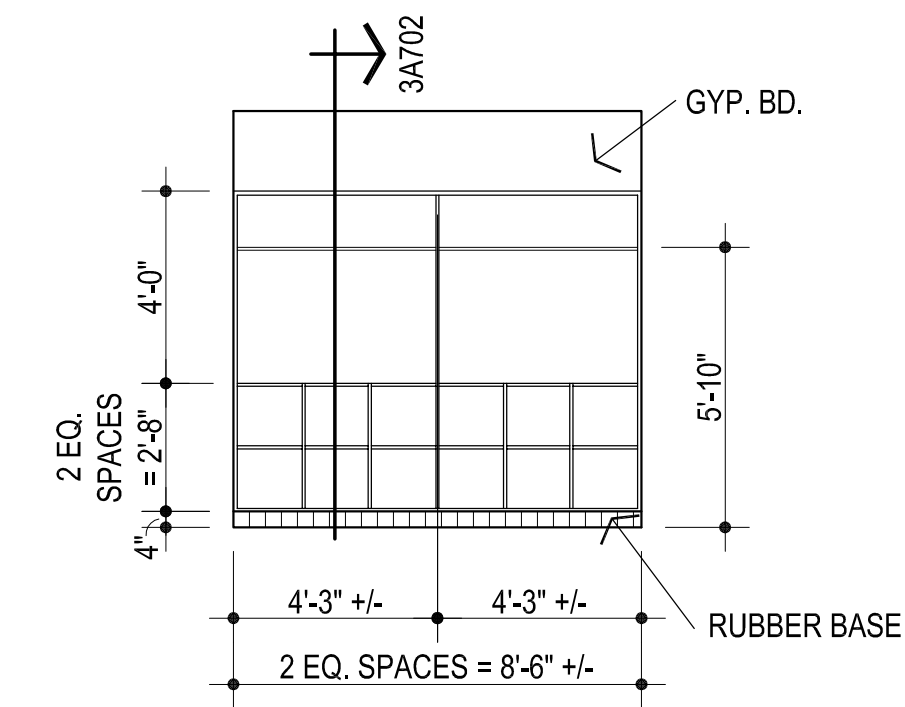
**2** ELEVATION @ TYP. CLASSROOM  
1/4" = 1'-0"



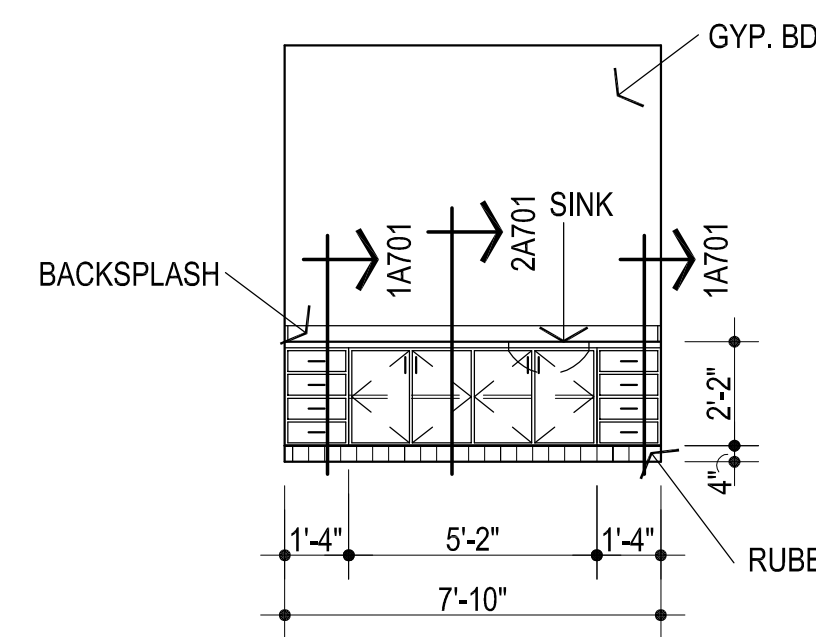
**3** ELEVATION @ TYP. CLASSROOM  
1/4" = 1'-0"



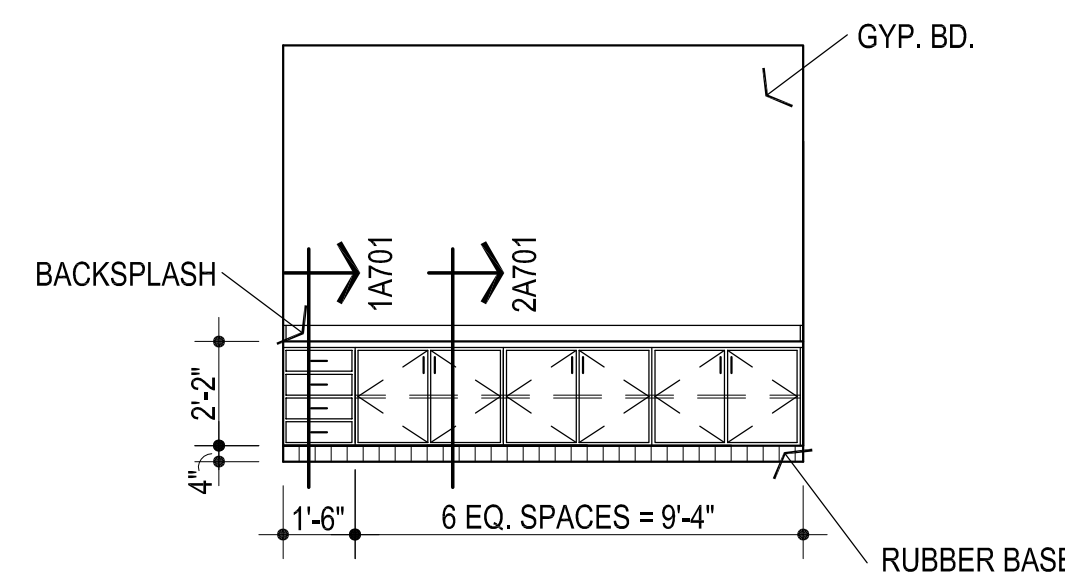
**4** E. WALL ROOM #113  
1/4" = 1'-0"



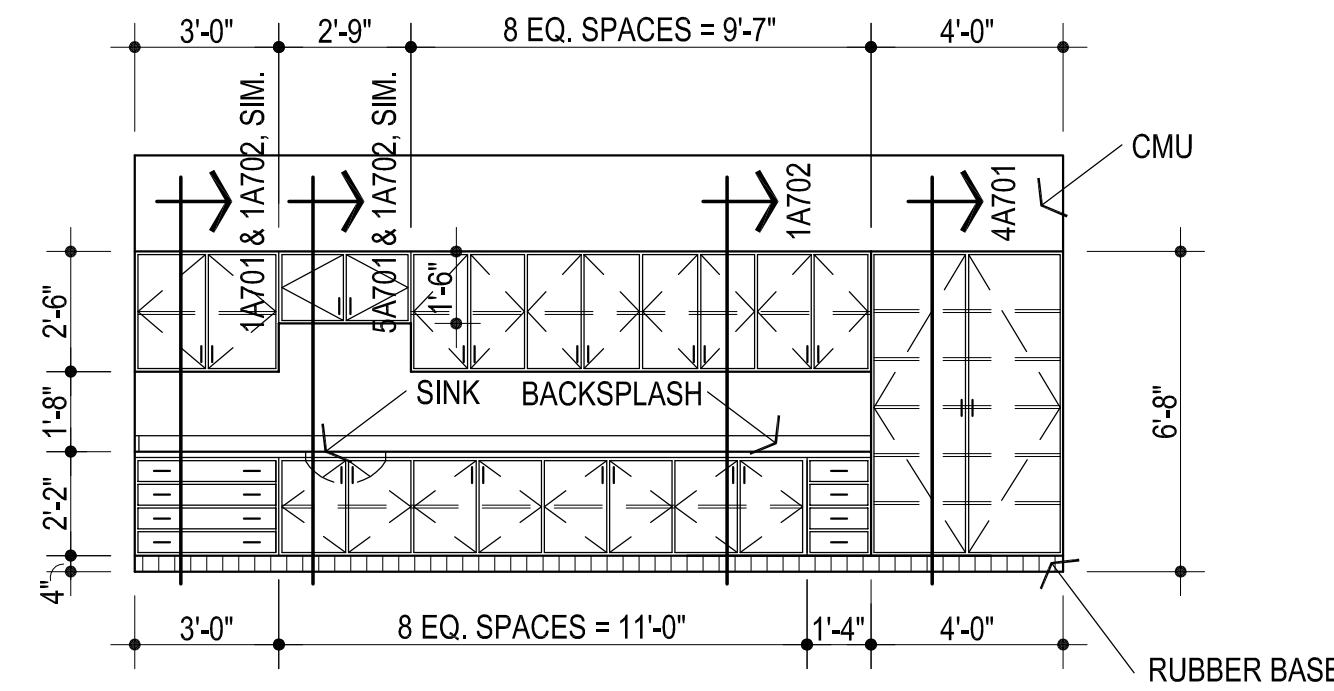
**5** S. WALL ROOM #113  
1/4" = 1'-0"



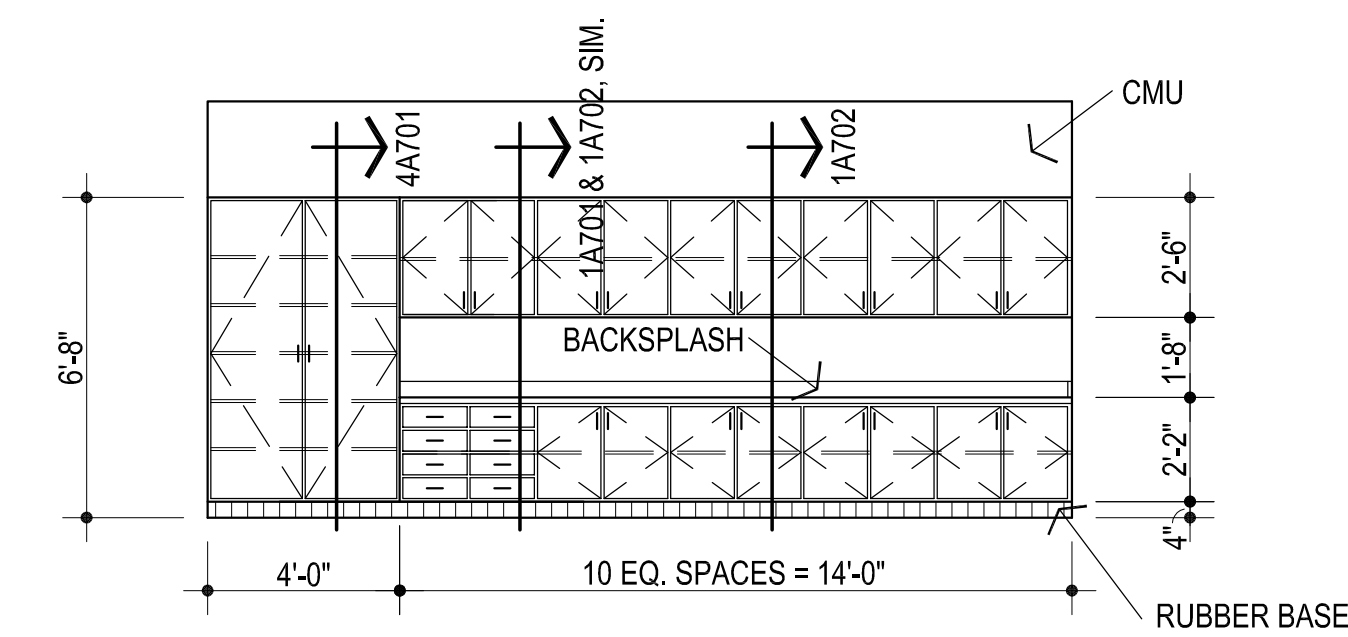
**6** N. WALL BUILDING 500 ROOM #503  
1/4" = 1'-0"



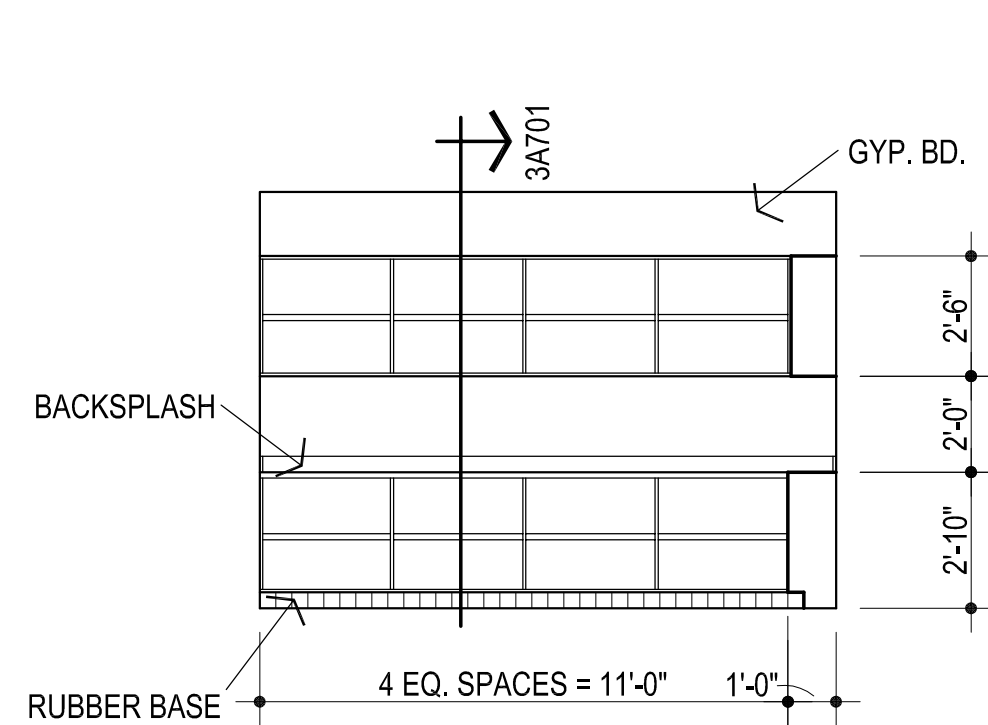
**7** S. WALL BUILDING 500 ROOM #503  
1/4" = 1'-0"



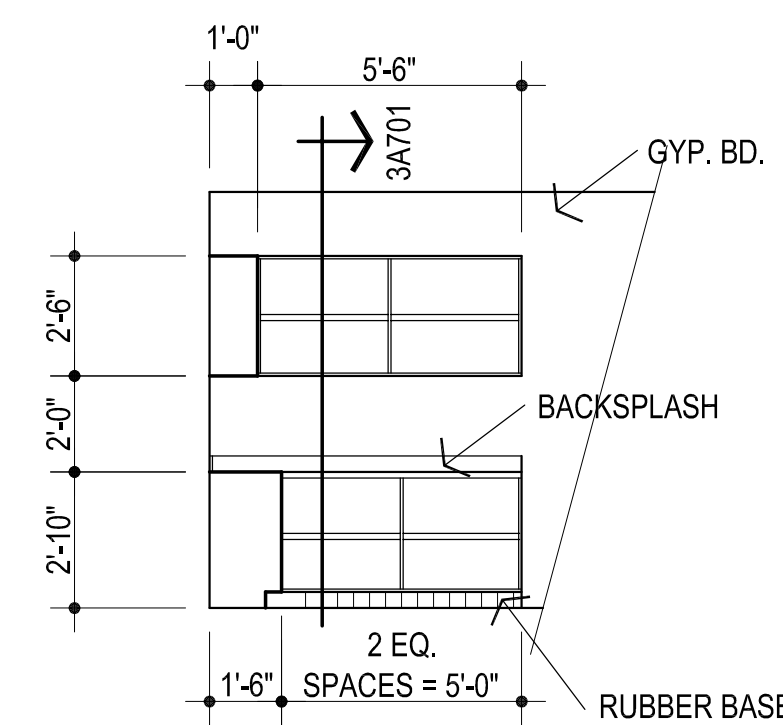
**8** S. WALL BUILDING 700 ROOM #703  
1/4" = 1'-0"



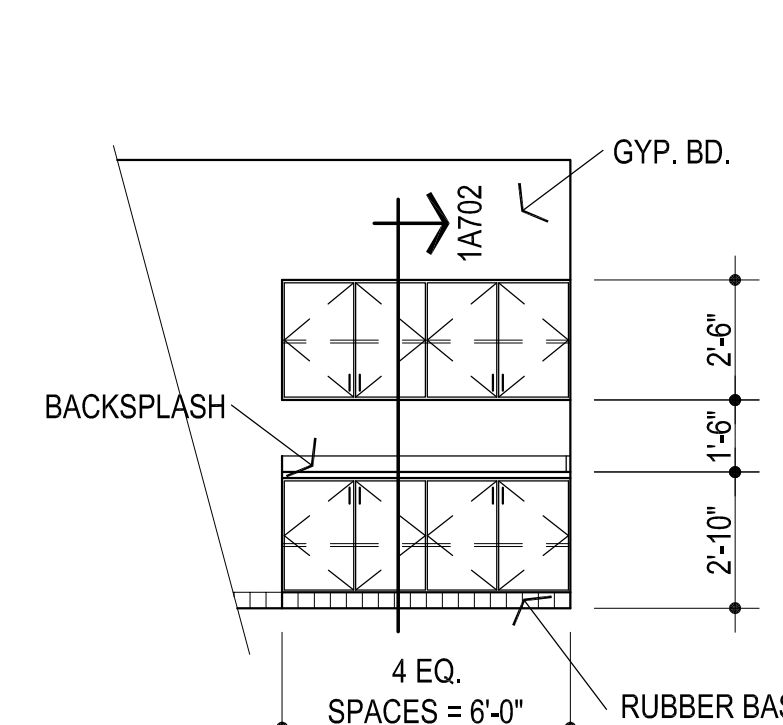
**9** W. WALL BUILDING 700 ROOM #704  
1/4" = 1'-0"



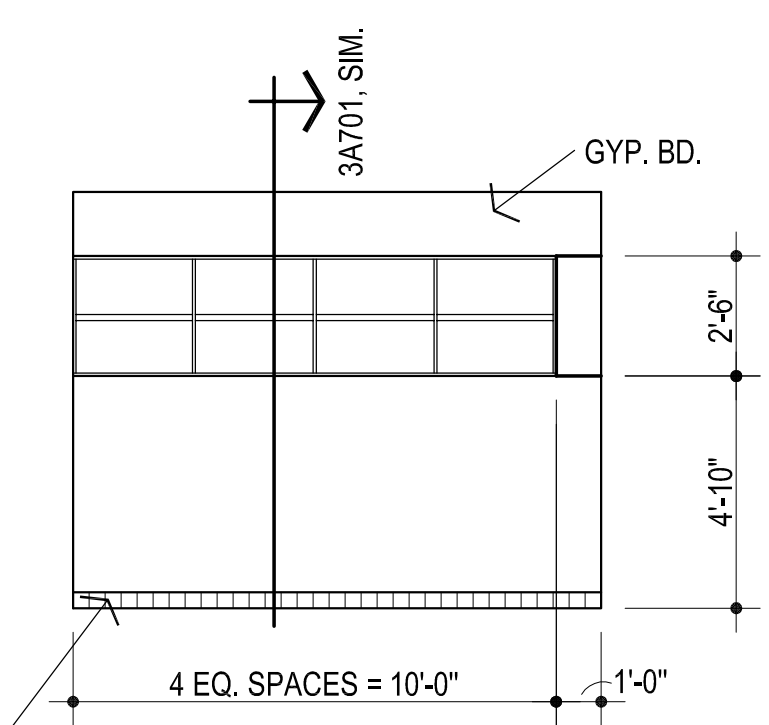
**11** S. WALL BUILDING 100 ROOM #109  
1/4" = 1'-0"



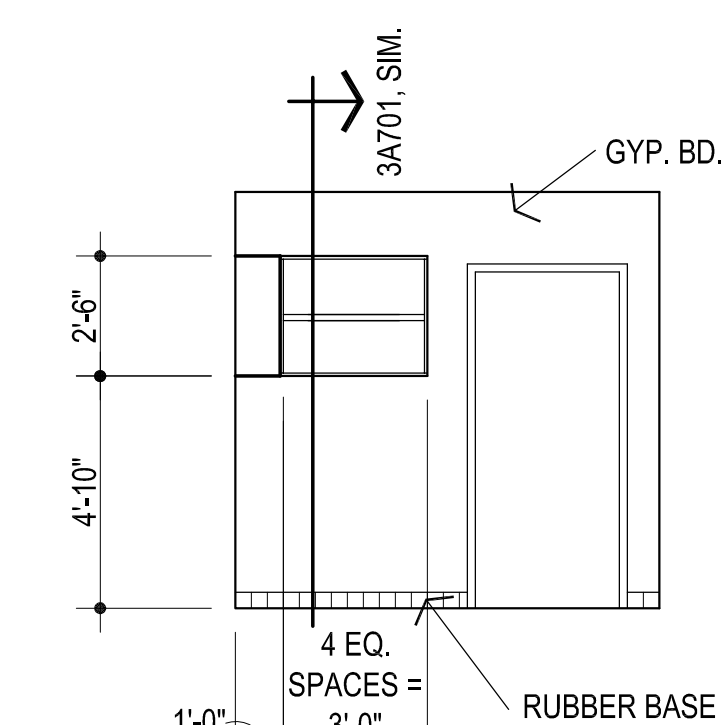
**12** W. WALL BUILDING 100 ROOM #109  
1/4" = 1'-0"



**13** E. WALL BUILDING 100 ROOM #110  
1/4" = 1'-0"



**14** W. & N. WALL BUILDING 100 ROOM #114  
1/4" = 1'-0"



**11** S. WALL BUILDING 100 ROOM #109  
1/4" = 1'-0"

**12** W. WALL BUILDING 100 ROOM #109  
1/4" = 1'-0"

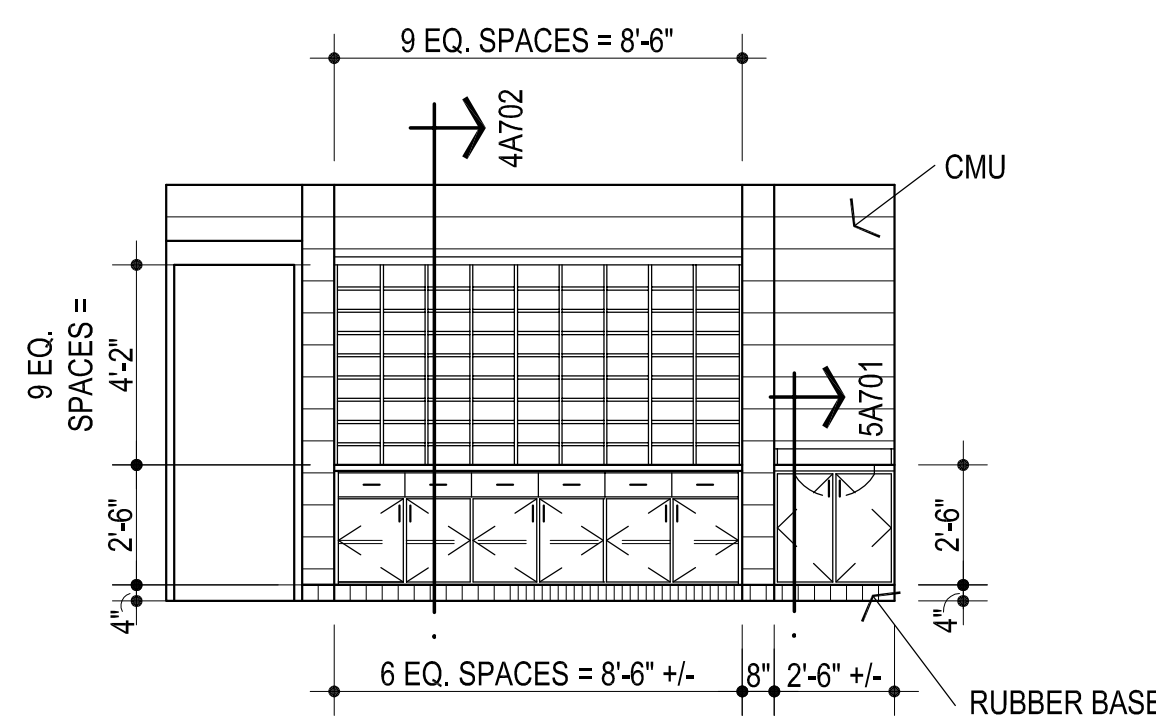
**13** E. WALL BUILDING 100 ROOM #110  
1/4" = 1'-0"

**14** W. & N. WALL BUILDING 100 ROOM #114  
1/4" = 1'-0"

- PAINT:**
- WALLS - FIELD: MATCH EXISTING
- PREFINISHED COLORS:**
- SOLID SURFACE (COUNTERTOPS) : CORIAN - DEEP BEDROCK
  - CARPET TILES: COORDINATE W/ OWNERS INSTALLER
  - RUBBER WALL BASE: COORDINATE W/ OWNERS INSTALLER
  - VINYL "T" EDGING: - TO BE SELECTED FROM MFR'S STANDARD COLORS
  - MELAMINE: WHITE
  - PLASTIC LAMINATE (FACING AND EDGING) : WILSONART - MONTICELLO MAPLE
  - LVT: COORDINATE W/ OWNERS INSTALLER

**10** COLOR SCHEDULE

SINK - 35 TOTAL:  
ELKAY MODEL DRKAD2822RC COUNTER MOUNTED  
PROVIDE ROUGH-IN AS REQUIRED TO RECONNECT TO EXISTING. SINK PACKAGE WITH GOOSENECK FAUCET AT BACK. LEVER HANDLE ON LEFT SIDE CENTERED ON BOWL @ 3 LOCATIONS. LEVER HANDLE WITH GOOSENECK FAUCET AT BACK @ 6 LOCATIONS. 6" SINK DEPTH. PROVIDE ELKAY LKAD35 OFFSET STRAINER, MCGUIRE 8912 P-TRAP, BV2165CC SUPPLY STOPS. INSTALL THERMOSTATIC MIXING VALVE AS REQUIRED COORDINATE WITH ARCHITECT & OWNER.



**15** N. WALL BUILDING 100 ROOM #106  
1/4" = 1'-0"



CG	
drawn by	
MA	
checked by	
JANUARY 2024	
date	
revisions	

MOORE PUBLIC SCHOOLS  
BOARD OF EDUCATION  
MOORE, OKLAHOMA



SANTA FE  
ELEMENTARY SCHOOL  
2024 MILLWORK  
REPLACEMENT

sheet no:

**A401**

OWNERSHIP USE OF DOCUMENTS:  
AGP EXPRESSLY RESERVES ITS COPYRIGHT AND OTHER PROPERTY RIGHTS OF ALL PLANS AND DRAWINGS DESIGNED AND/OR PRODUCED. PLANS AND DRAWINGS ARE NOT TO BE REPRODUCED IN ANY FORM OR MANNER WITHOUT THE EXPRESSED WRITTEN CONSENT OF AGP.