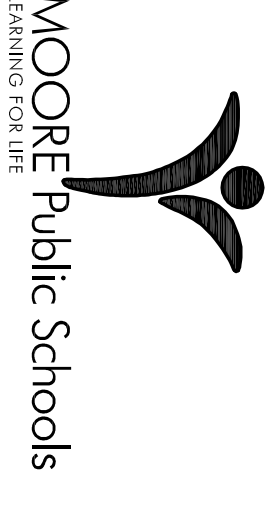




CS \_\_\_\_\_  
drawn by \_\_\_\_\_  
MA \_\_\_\_\_  
checked by \_\_\_\_\_  
MAY 2024 \_\_\_\_\_  
date \_\_\_\_\_  
revisions \_\_\_\_\_

MOORE PUBLIC SCHOOLS  
BOARD OF EDUCATION  
MOORE, OKLAHOMA



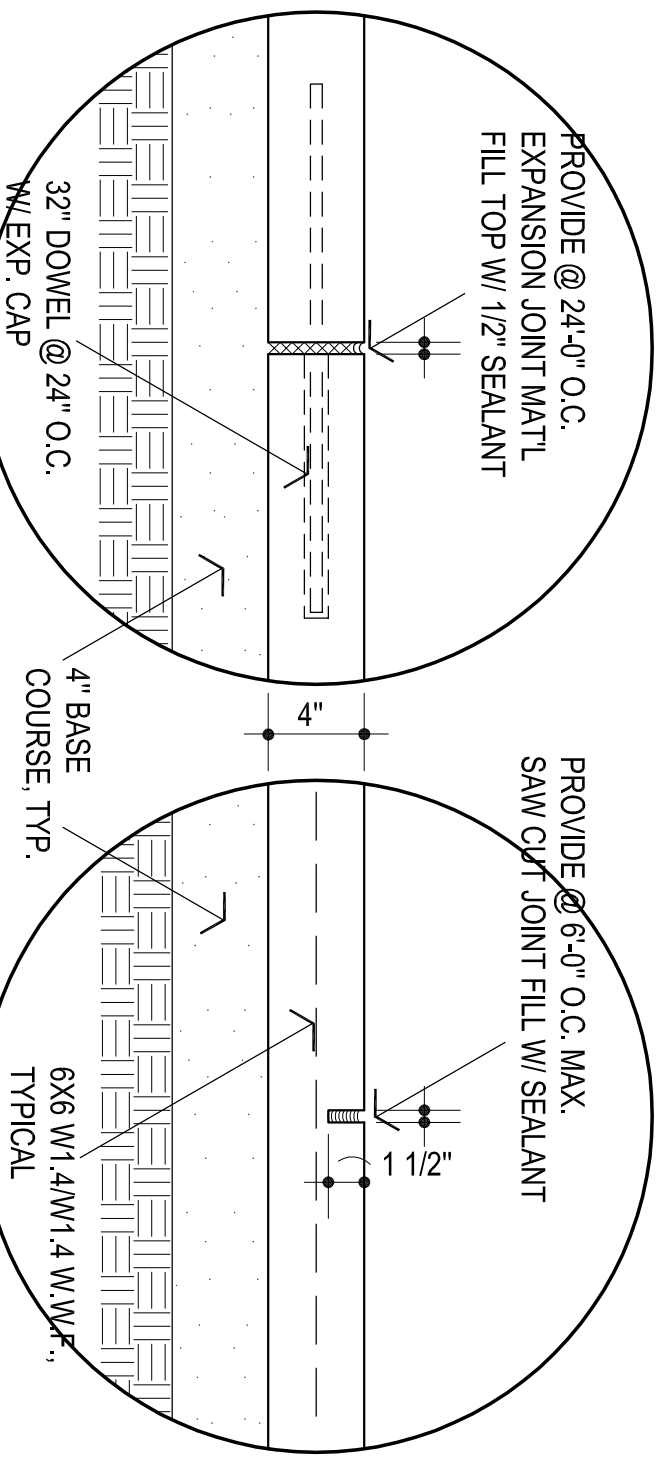
RED OAK  
ELEMENTARY SCHOOL  
SECURITY UPGRADES

Sheet No.

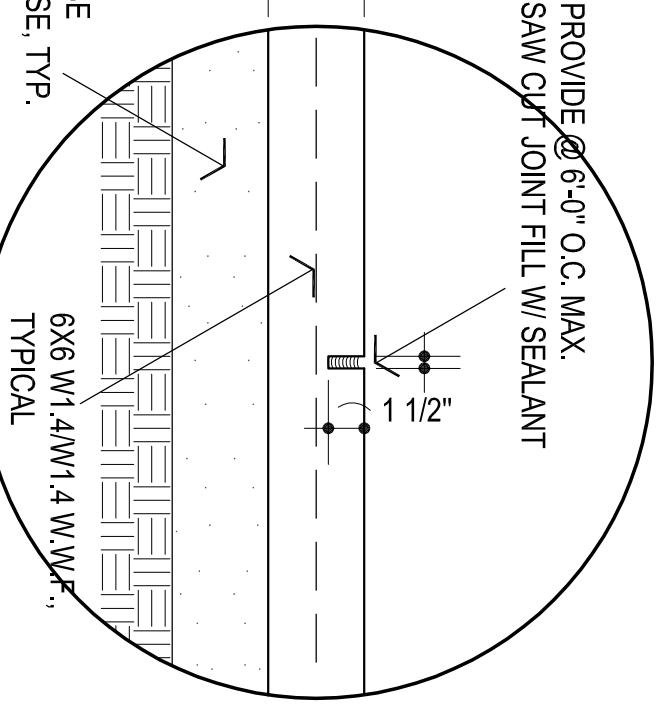
# C900

OWNERSHIP USE OF DOCUMENTS:

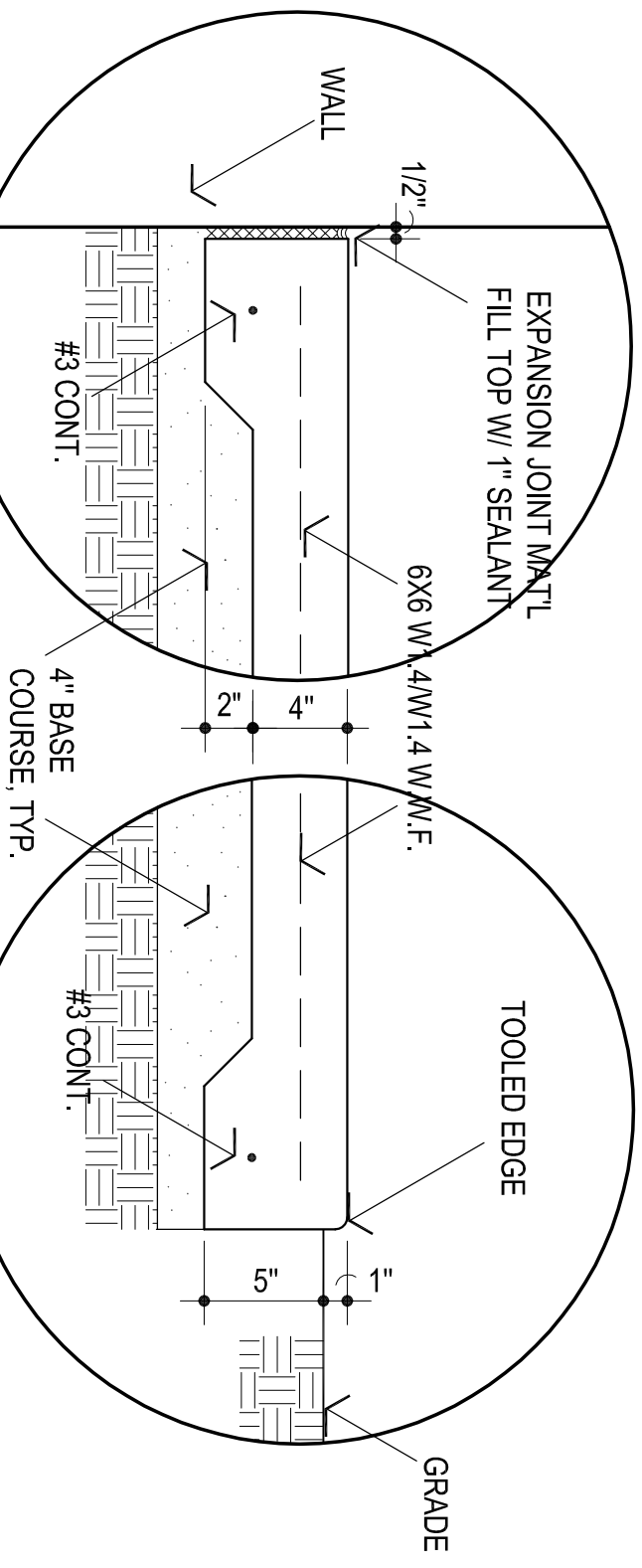
AGP EXPRESSLY RESERVES ITS  
COPYRIGHT AND OTHER PROPERTY  
RIGHTS OF ALL PLANS AND DRAWINGS  
DESIGNED AND/OR PRODUCED HEREIN.  
REPRODUCTION IN ANY FORM OR MANNER  
WITHOUT THE EXPRESSED WRITTEN  
CONSENT OF AGP.



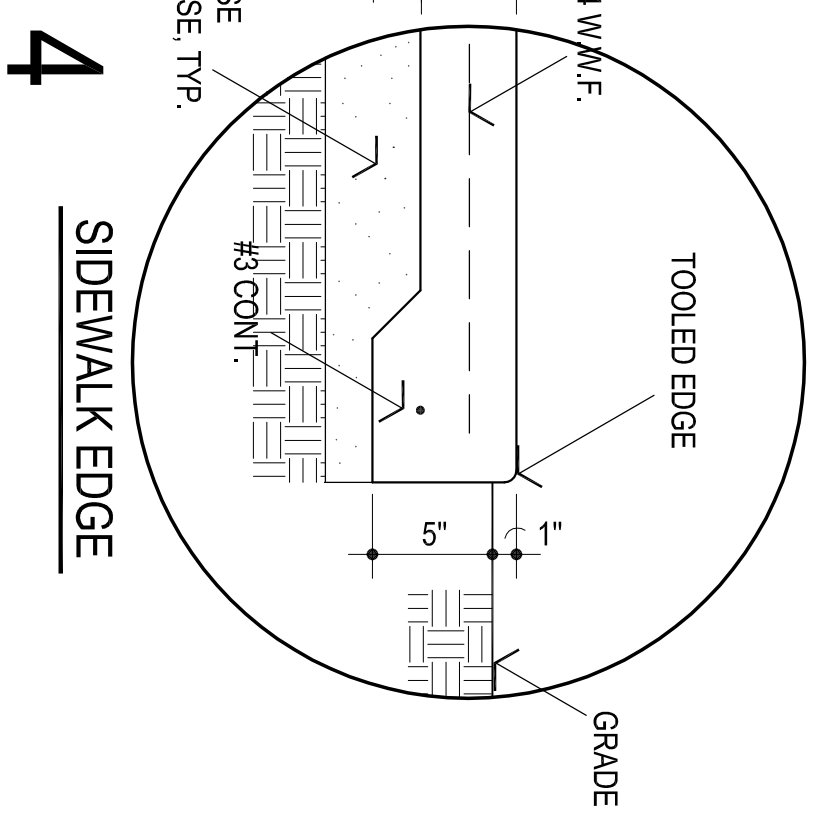
**1** SIDEWALK EXP. JOINT



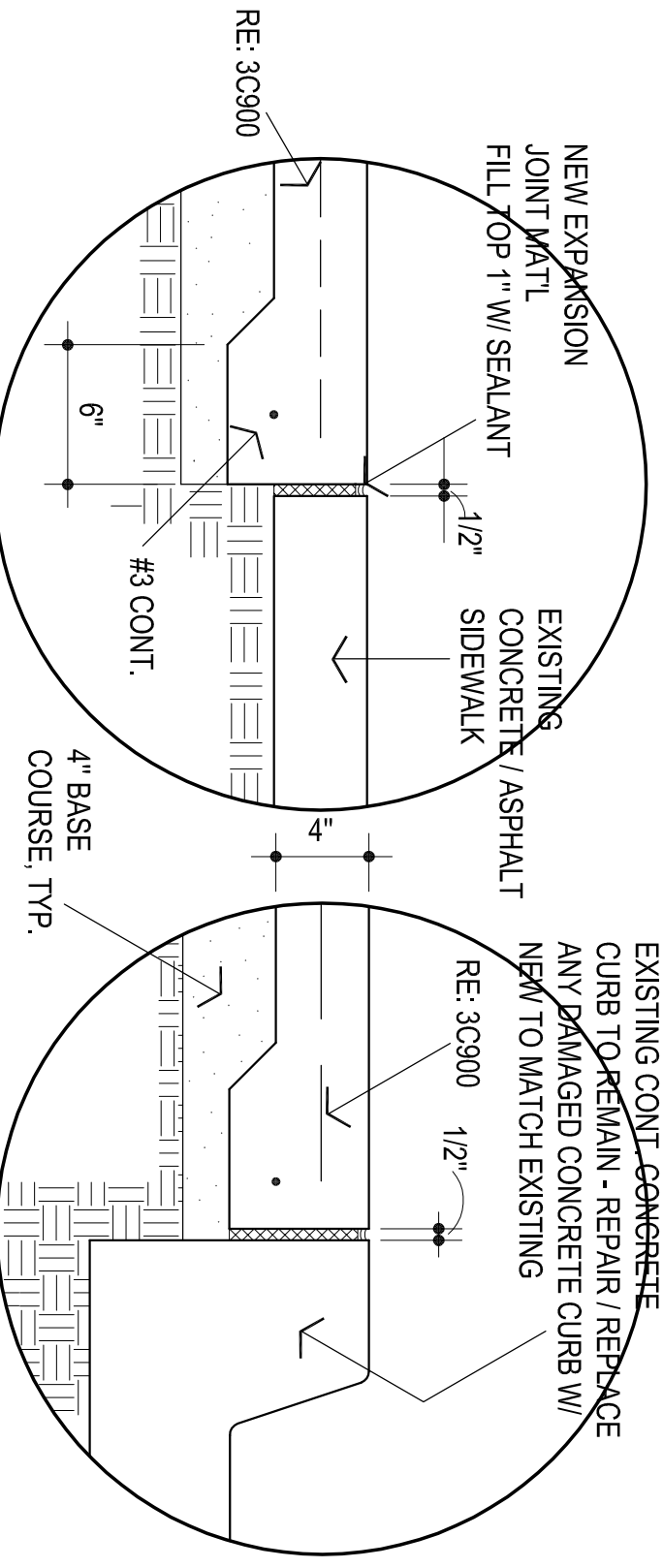
**2** SIDEWALK CONTROL JT.



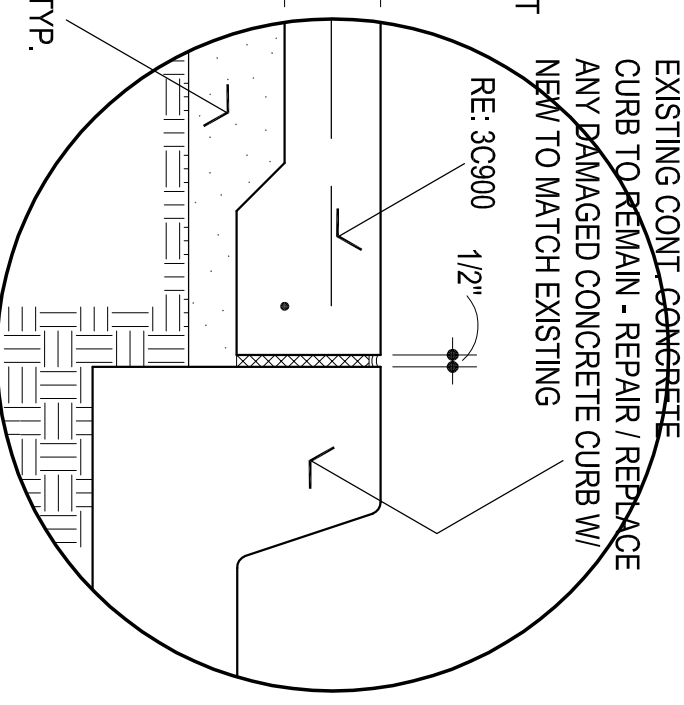
**3** SIDEWALK @ VERT. SURF.



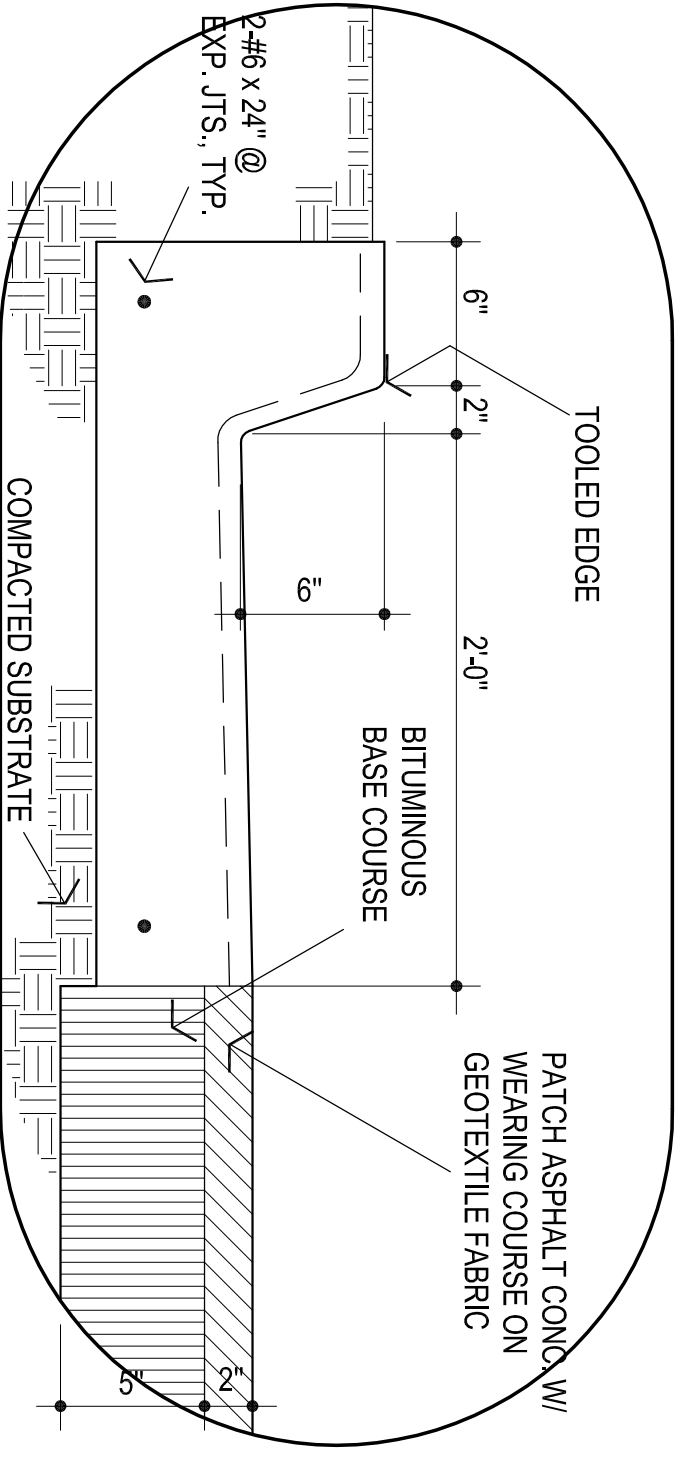
**4** SIDEWALK EDGE



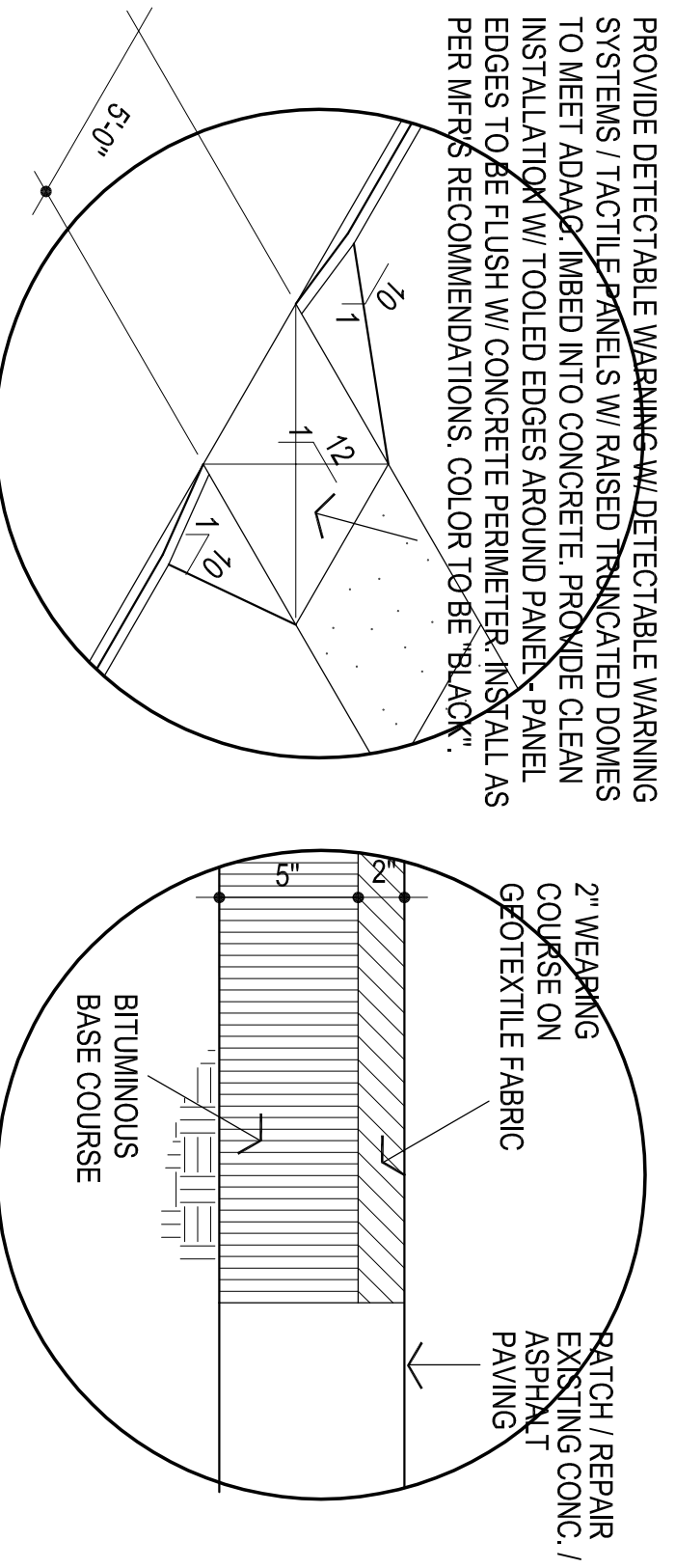
**5** EXISTING / NEW CONCRETE SIDEWALK



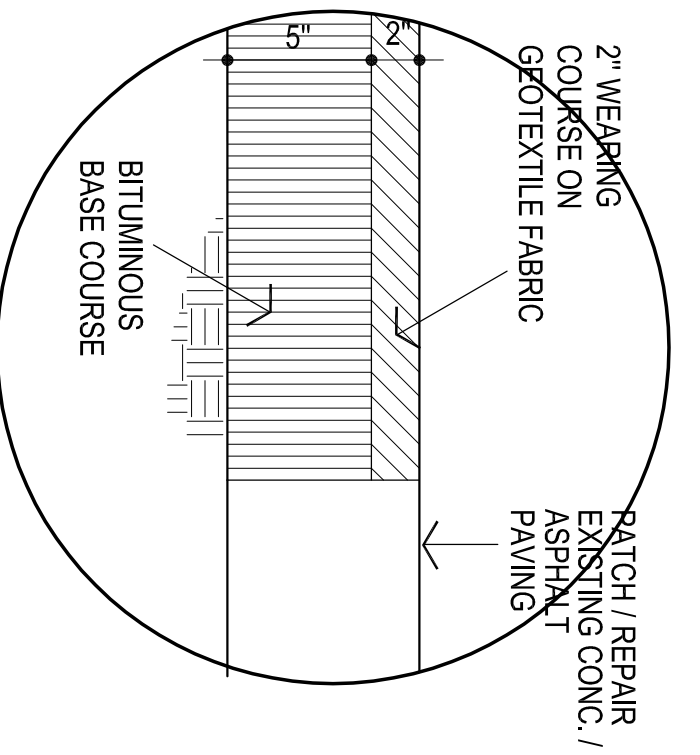
**6** SIDEWALK / CONC. CURB



**7** CONC. CURB / ASPHALT PAVING



**8** H.C. RAMP @ CURB  
NOT TO SCALE



**9** PAVING EDGE  
NOT TO SCALE

PROVIDE DETECTABLE WARNING W/ DETECTABLE WARNING SYSTEMS / TACTILE PANELS W/ RAISED TRUNCATED DOMES TO MEET ADA. IMBED INTO CONCRETE. PROVIDE CLEAN INSTALLATION W/ TOOLED EDGES AROUND PANEL EDGES TO BE FLUSH W/ CONCRETE PERIMETER. INSTALL AS PER MPFS RECOMMENDATIONS. COLOR TO BE "BLACK".