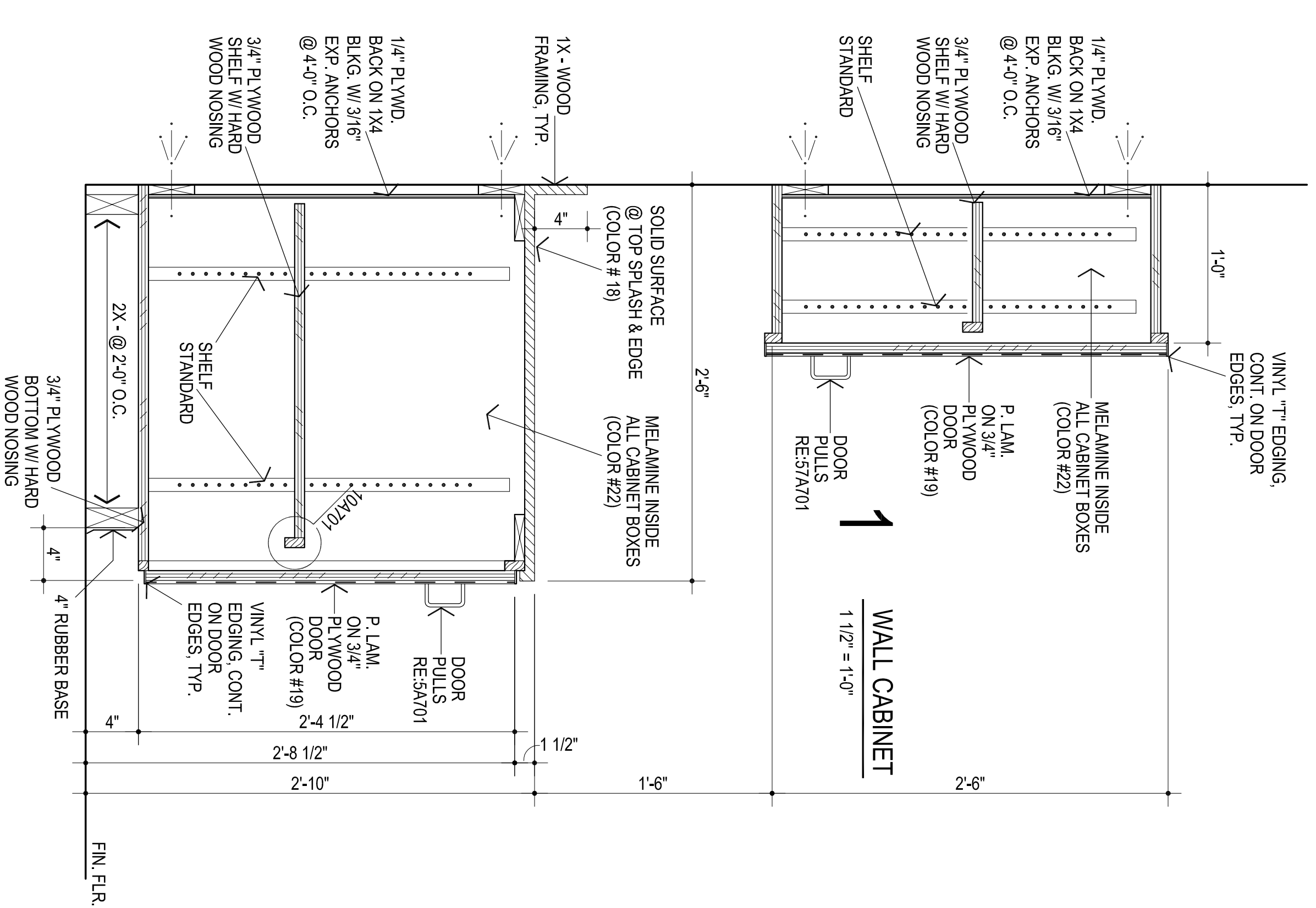


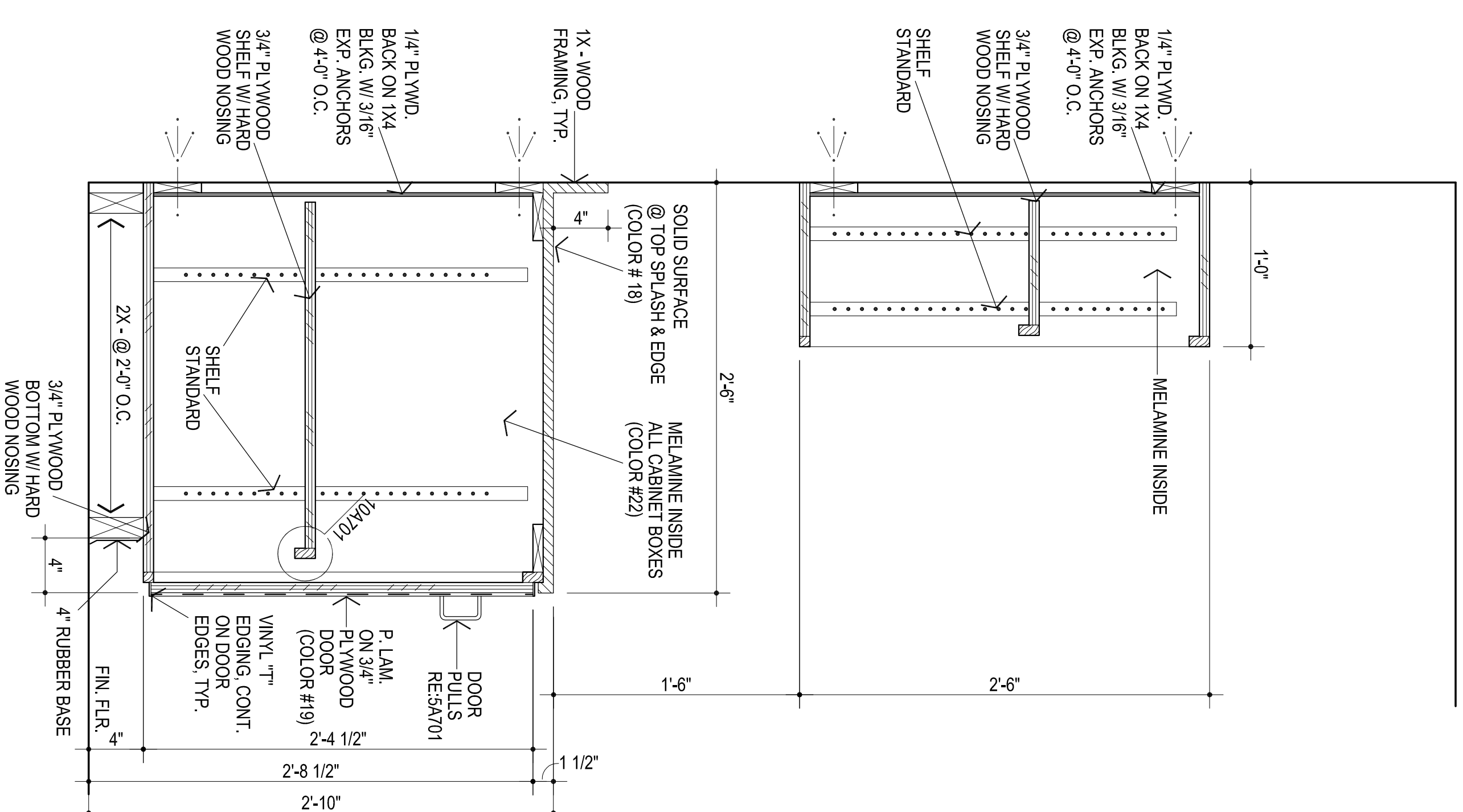


CG
drawn by
MA
checked by
MAY 2024
date
revisions

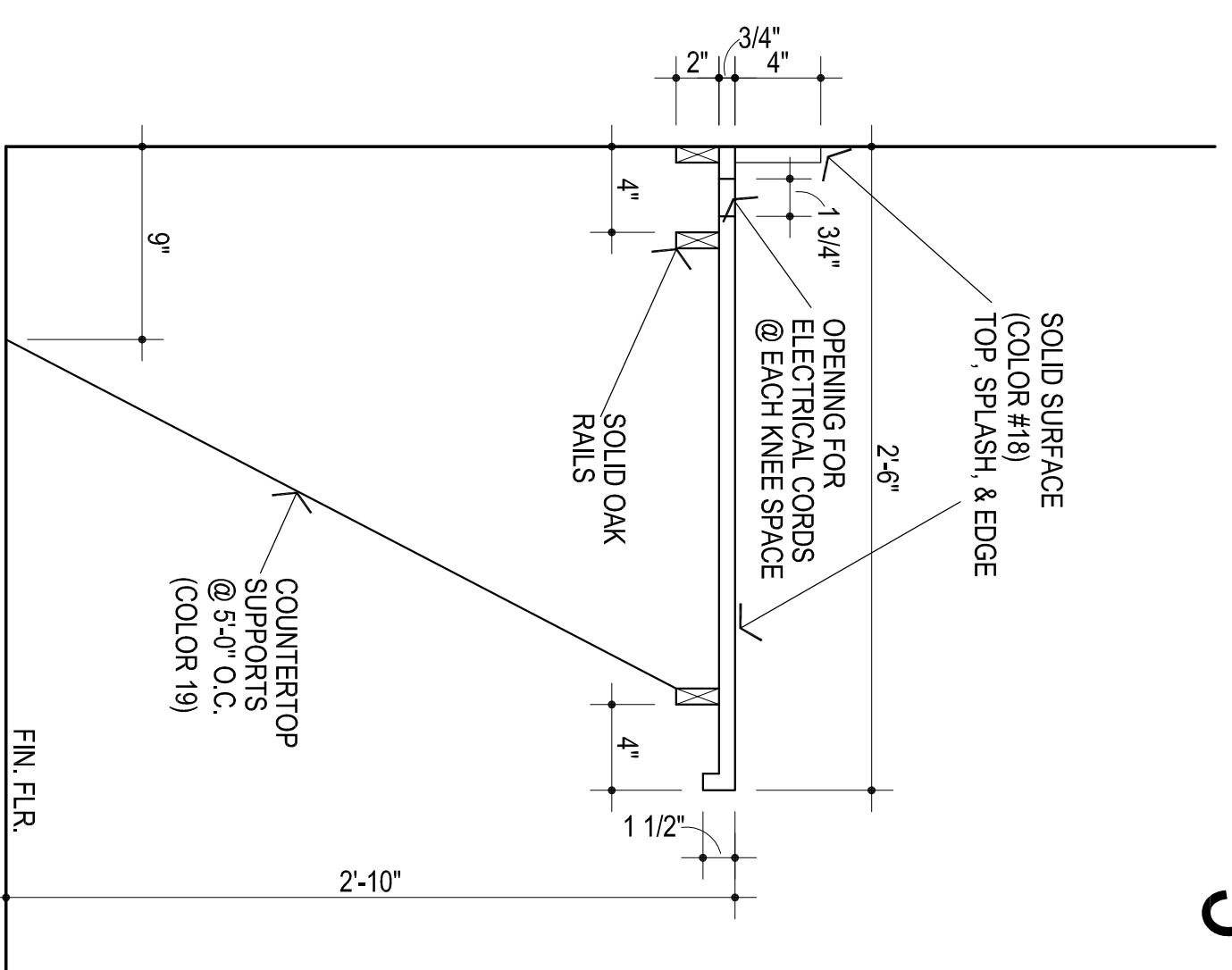


2
BASE CABINET
1 1/2" = 1'-0"

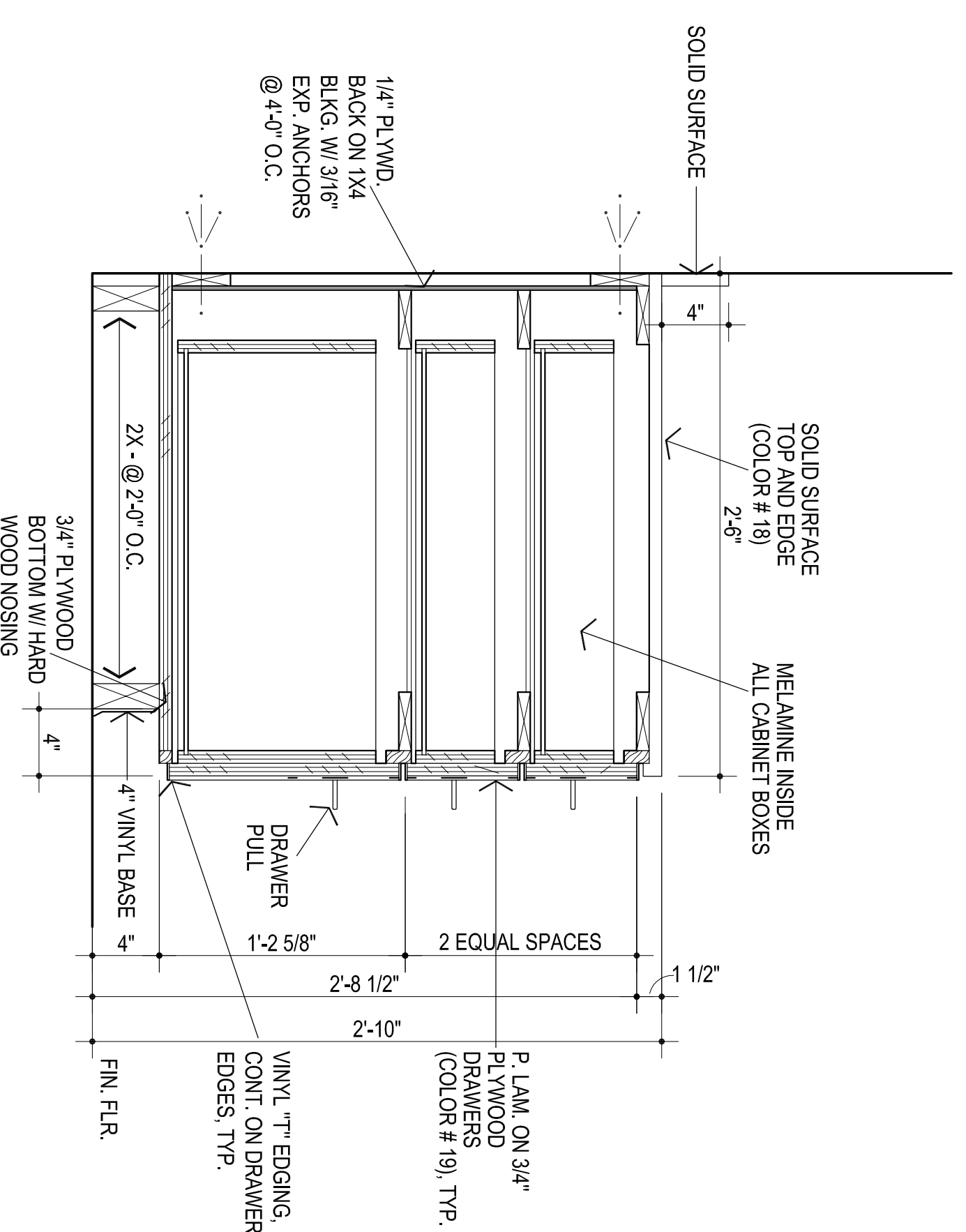
FRAMELESS
CABINET / EUROPEAN
CONSTRUCTION IS
ACCEPTABLE



3
BASE & OPEN WALL CABINET
1 1/2" = 1'-0"



5
BASE CABINET W/ KNEE SPACE
1 1/2" = 1'-0"



4
NUMBER NOT USED

6
BASE CABINET W/ DRAWERS
1 1/2" = 1'-0"