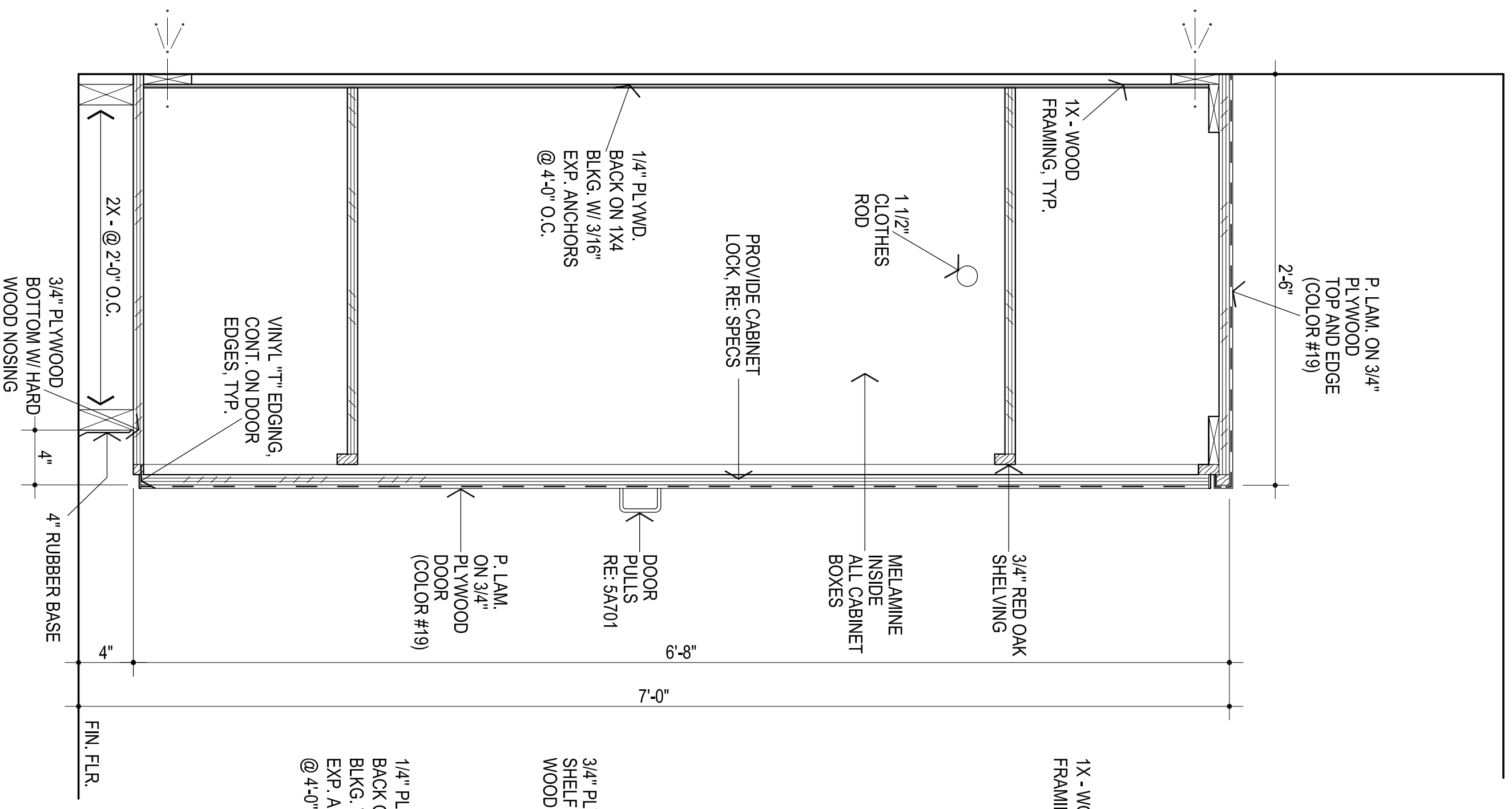
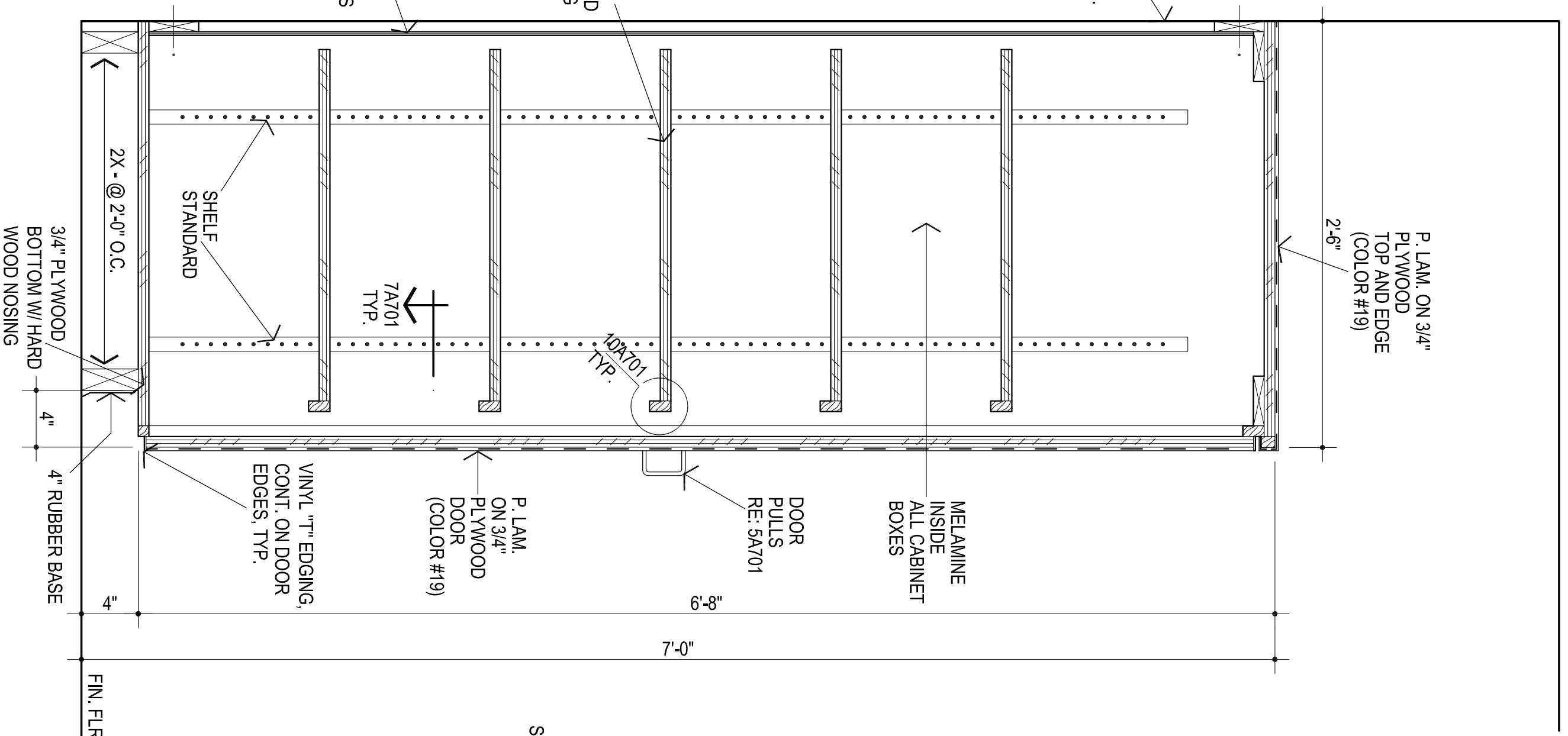


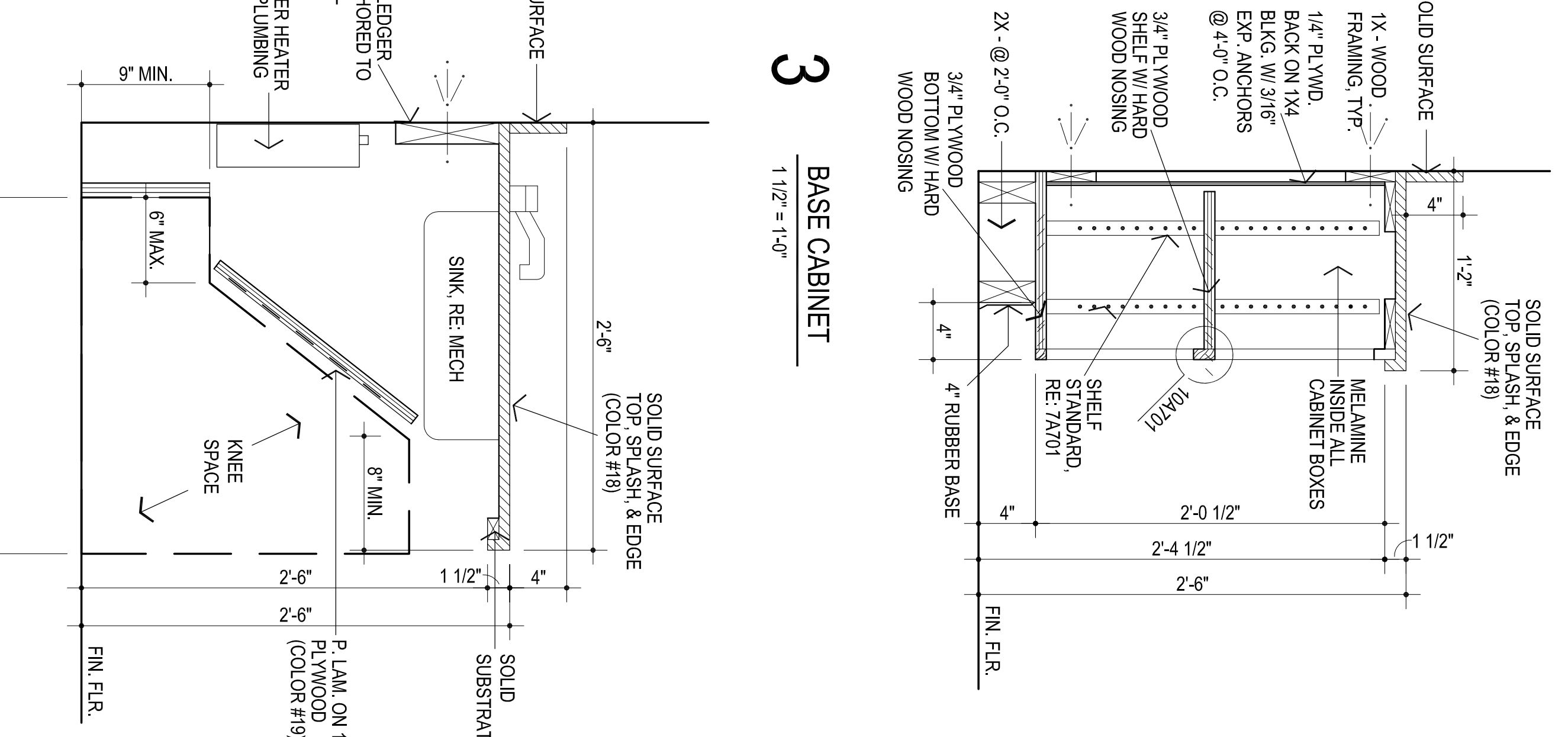
FRAMELESS  
CABINET / EUROPEAN  
CONSTRUCTION IS  
ACCEPTABLE



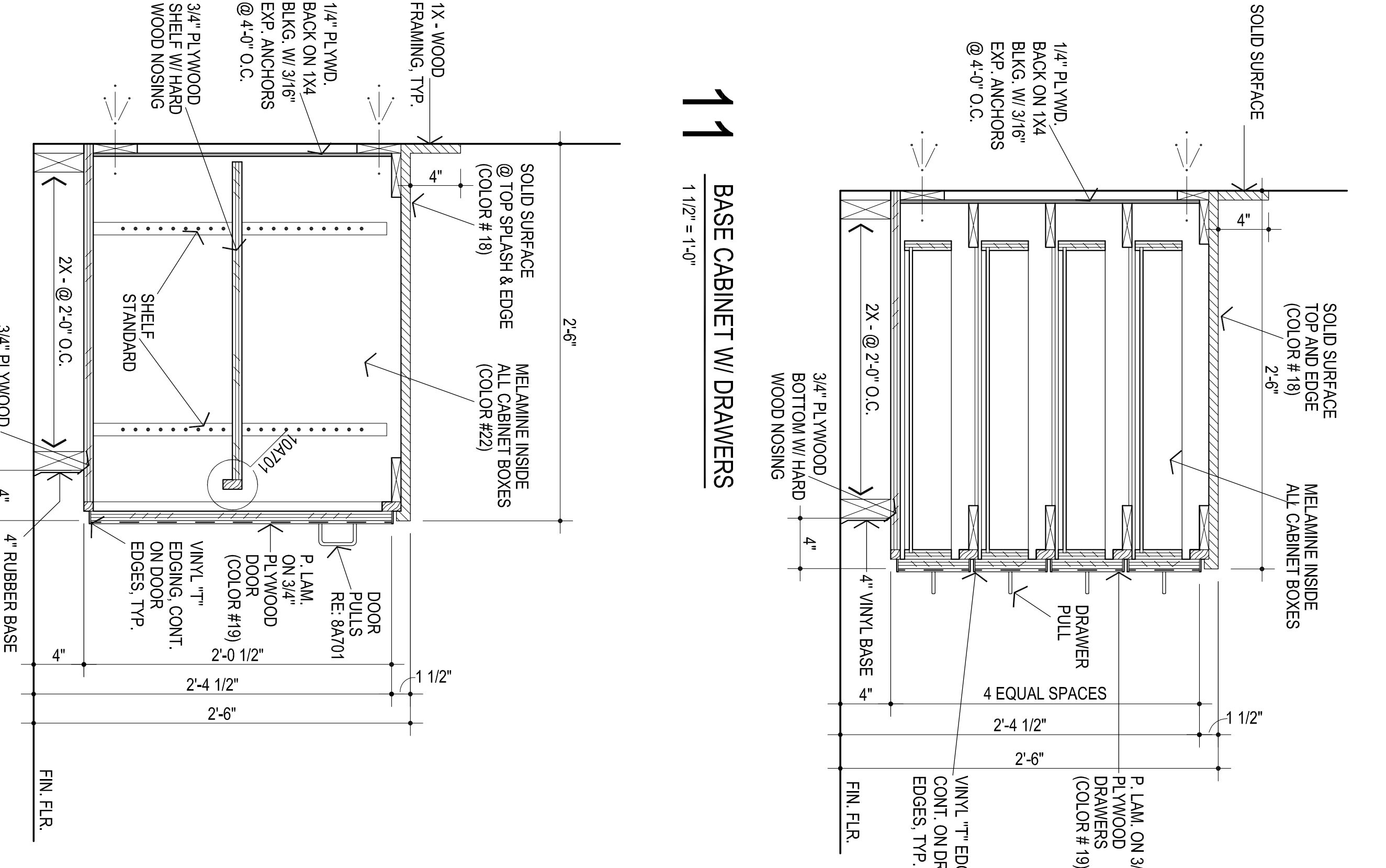
**1** TEACHERS CABINET  
1 1/2" = 1'-0"



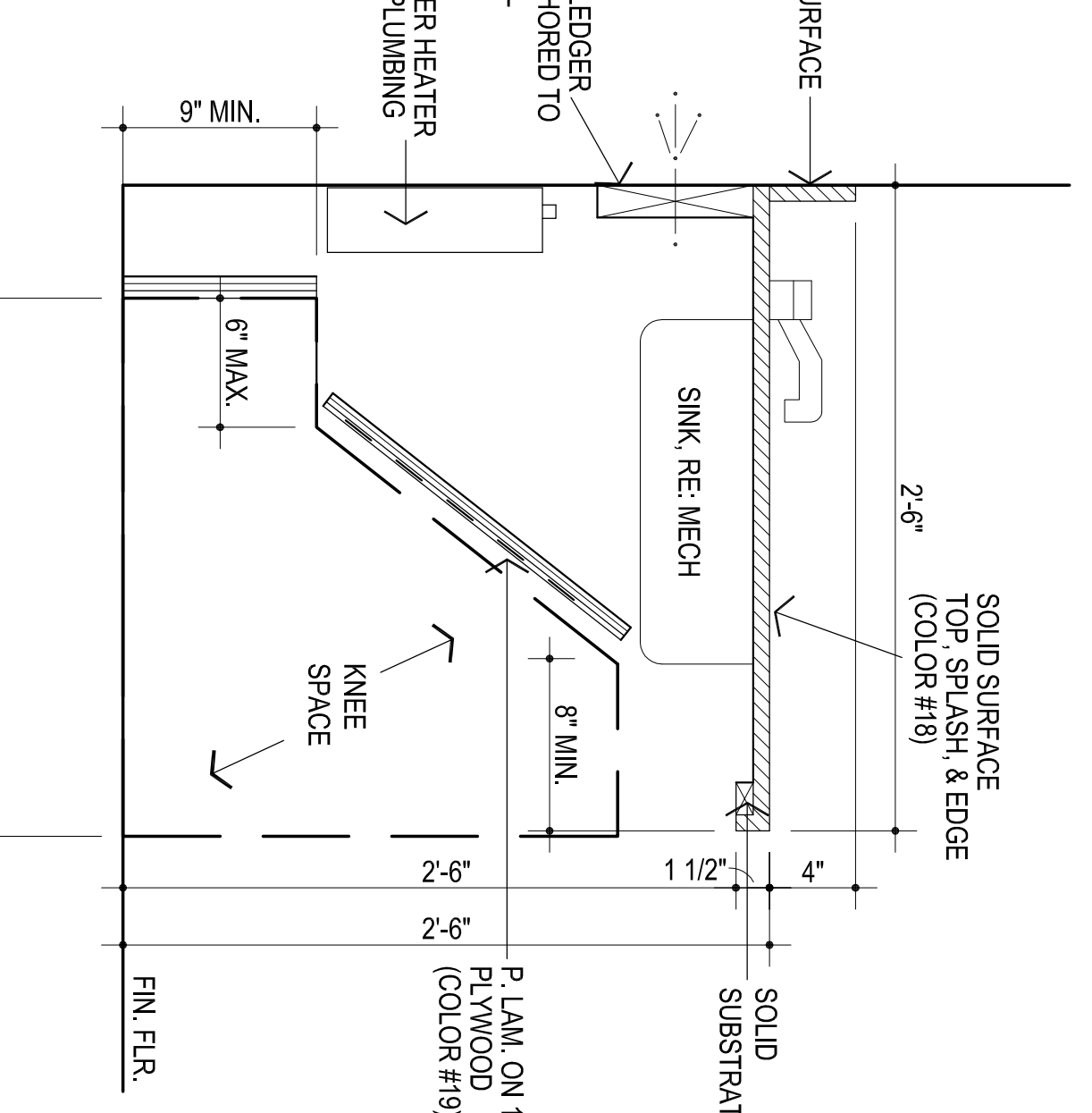
**2** TALL CABINET  
1 1/2" = 1'-0"



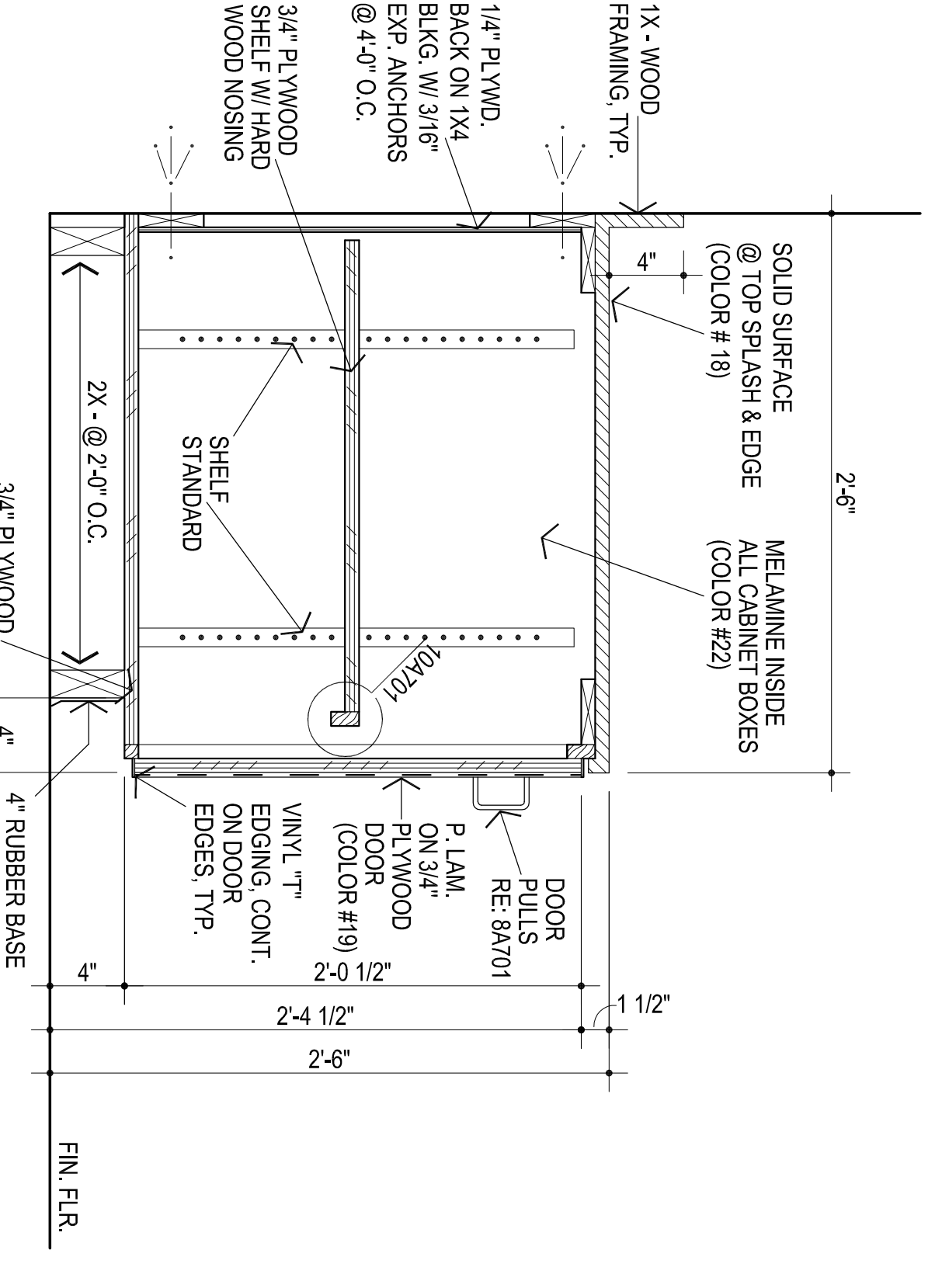
**3** BASE CABINET  
1 1/2" = 1'-0"



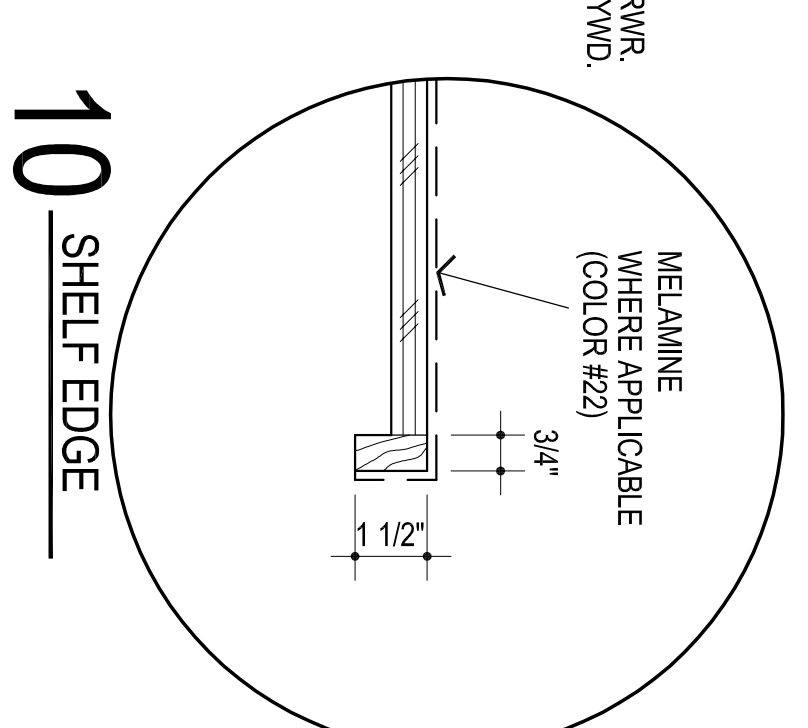
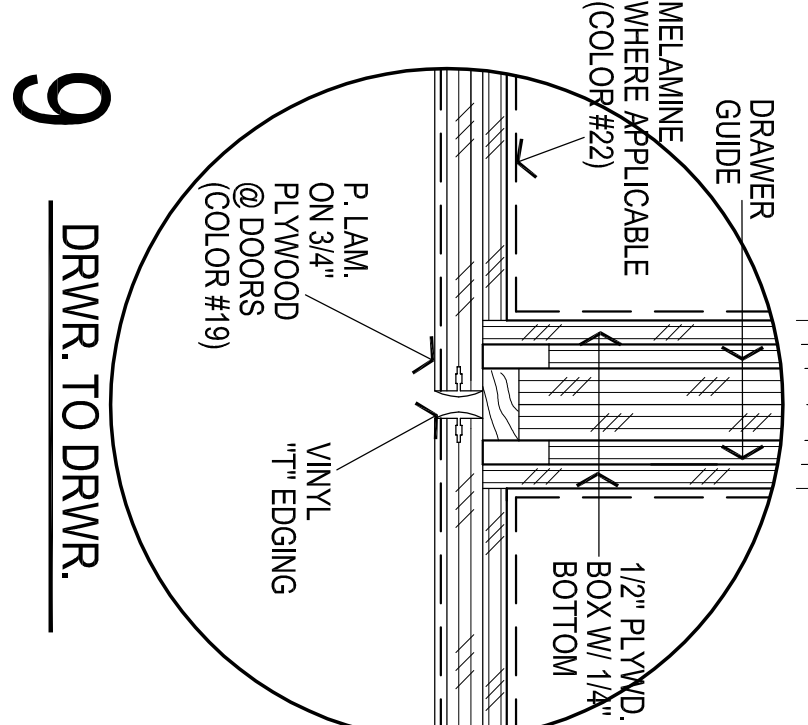
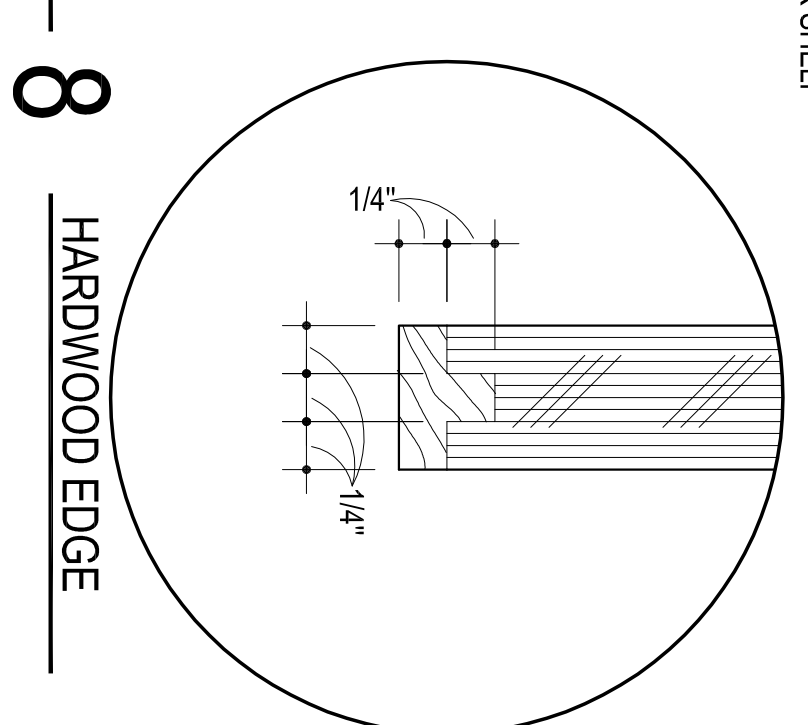
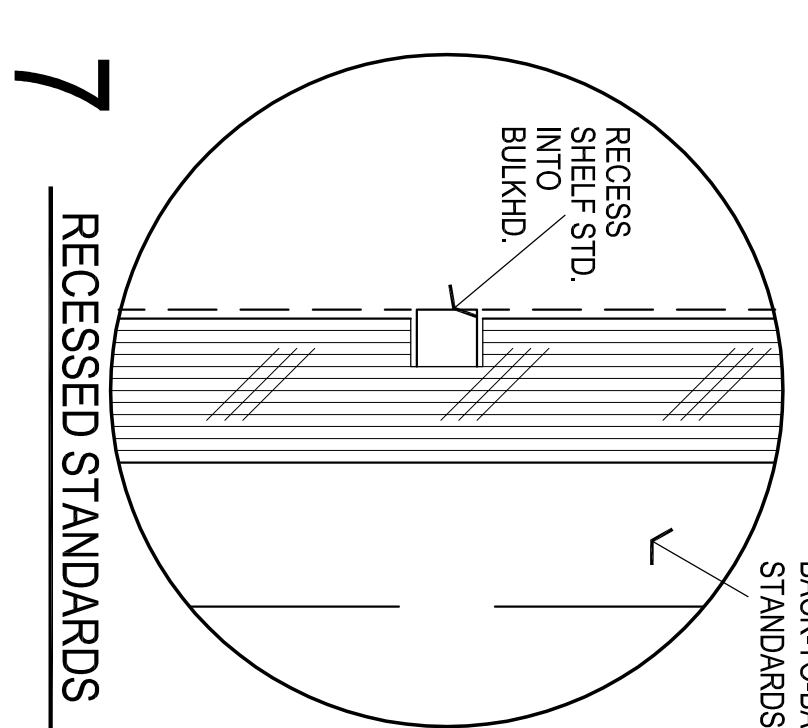
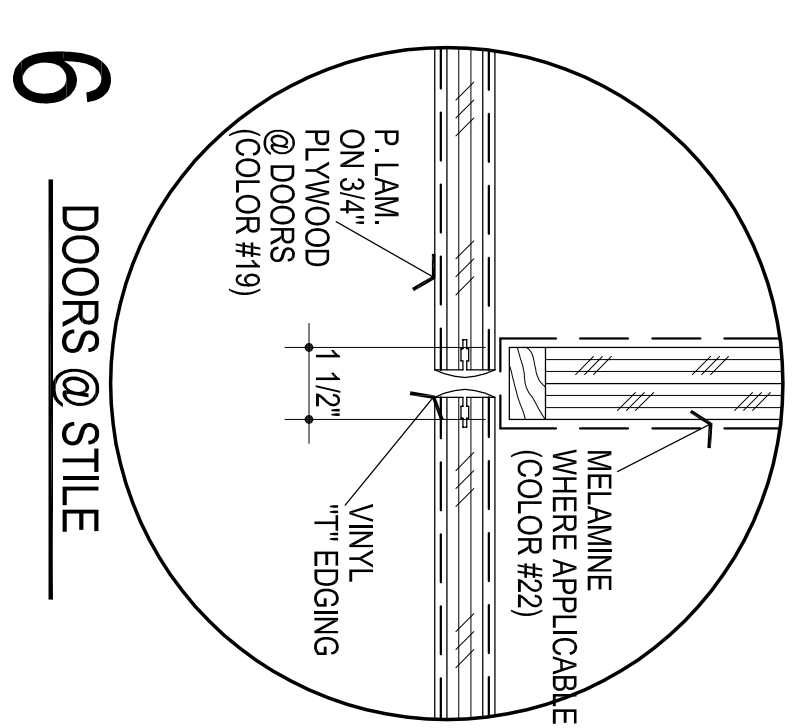
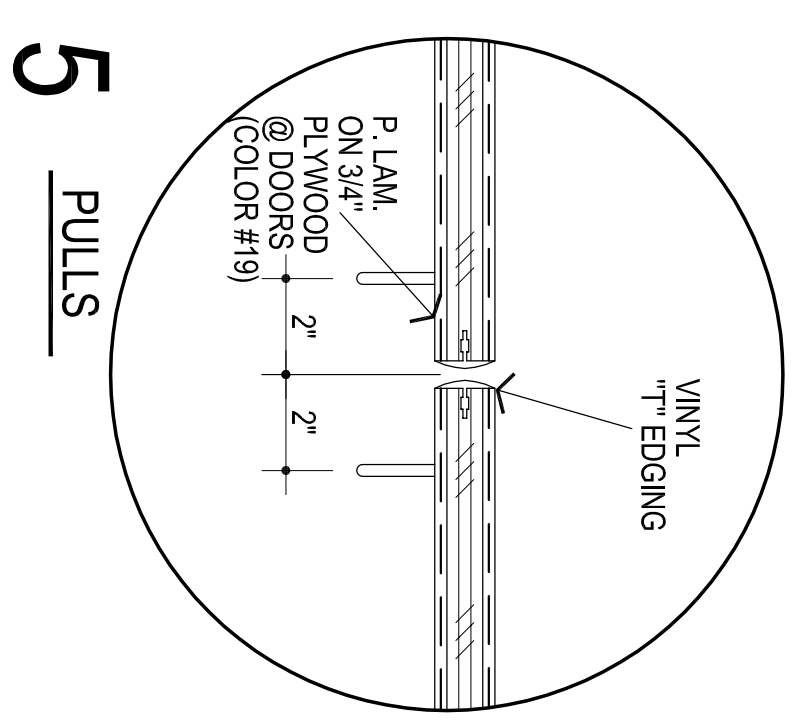
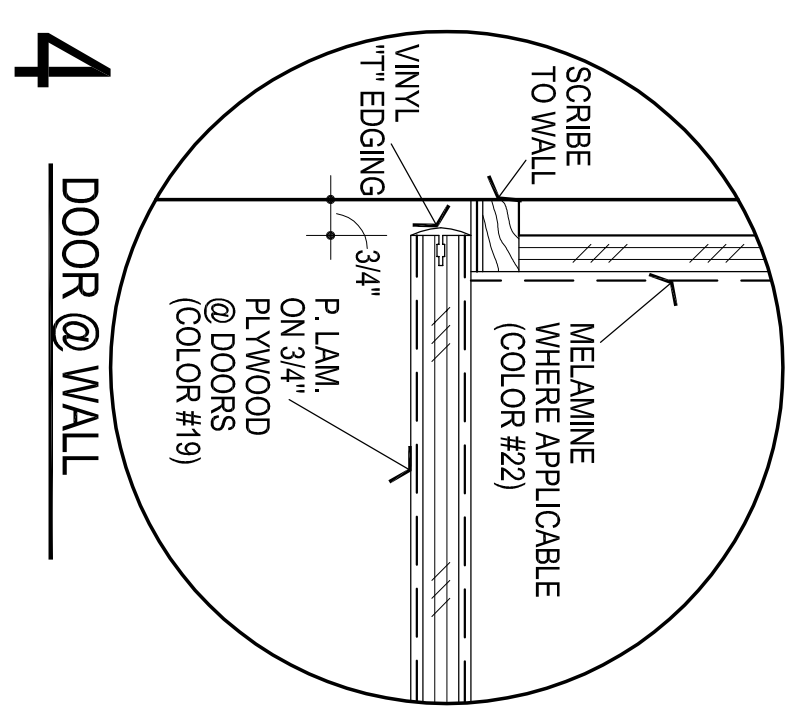
**11** BASE CABINET W/ DRAWERS  
1 1/2" = 1'-0"



**12** SINK SECTION  
1 1/2" = 1'-0"



**13** BASE CABINET W/ DOORS  
1 1/2" = 1'-0"



**AGP**  
the Abila Griffin  
Partnership L.L.C.

201 N. BROADWAY  
SUITE 210  
MOORE, OK. 73160  
405.735.3477  
AGP@theAGP.net  
www.theAGP.net

KFC ENGINEERING  
STRUCTURAL  
SALAS O'BRIEN  
PLUMBING / MECHANICAL / ELECTRICAL

STATE OF OKLAHOMA  
MICHAEL L. MOORE  
2024  
5/12/24

CG  
drawn by  
MA  
checked by  
MAY 2024  
date  
revisions

MOORE PUBLIC SCHOOLS  
BOARD OF EDUCATION  
MOORE, OKLAHOMA

MOORE Public Schools  
TRAINING FOR LIFE

RED OAK  
ELEMENTARY SCHOOL  
SECURITY UPGRADES

OWNER'S USE OF DOCUMENTS:  
AGP EXPRESSLY RESERVES ITS  
COPYRIGHT AND OTHER PROPERTY  
RIGHTS OF ALL PLANS AND DRAWINGS  
DESIGNED AND/OR PRODUCED. PLANS  
AND DRAWINGS ARE NOT TO BE  
REPRODUCED IN ANY FORM OR MANNER  
WITHOUT THE EXPRESS WRITTEN  
CONSENT OF AGP.

sheet no.  
**A701**