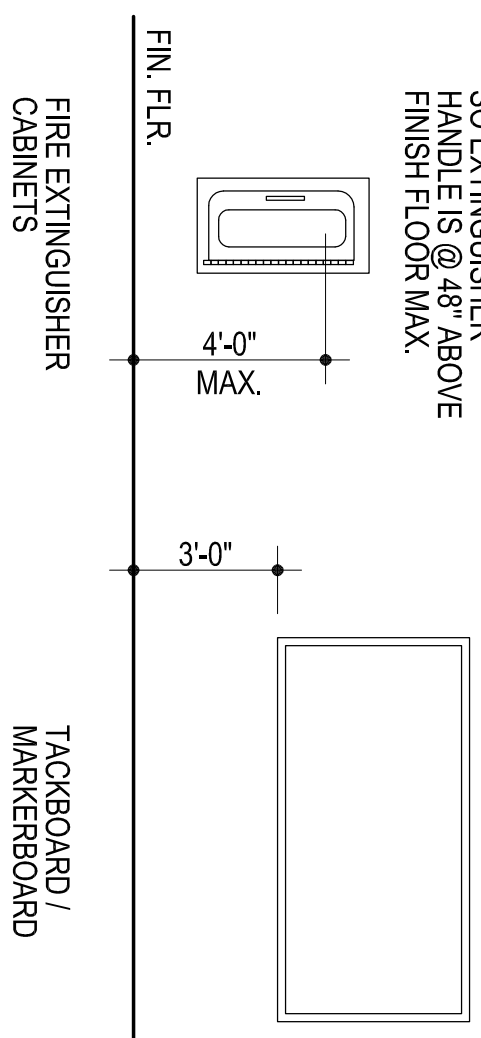
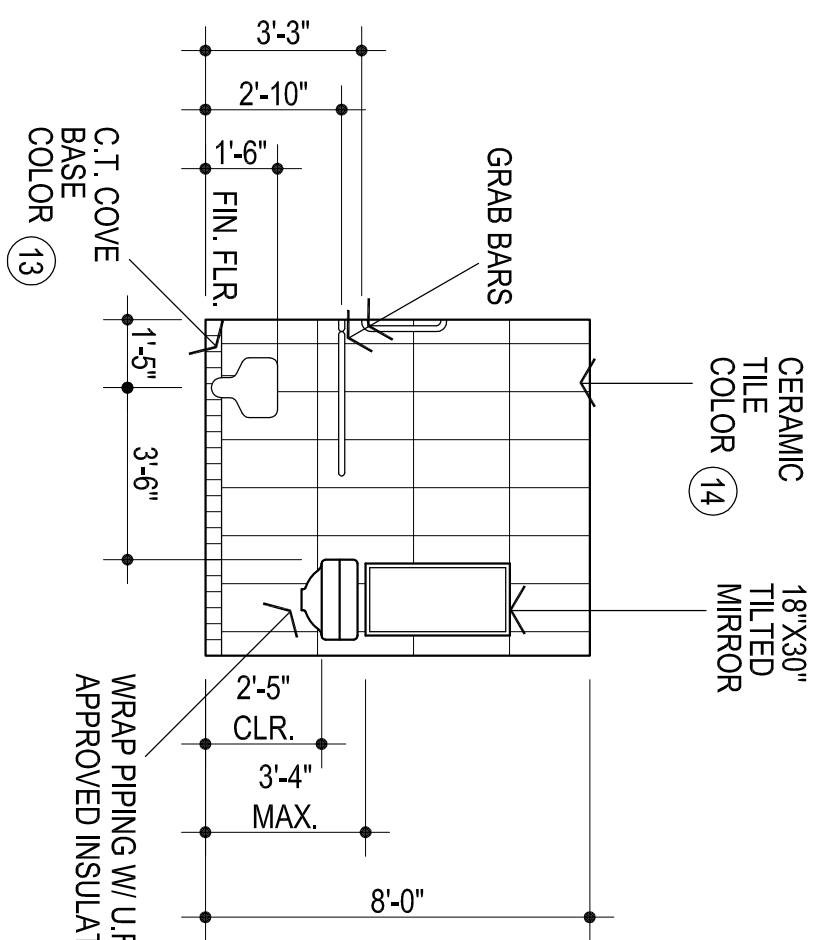


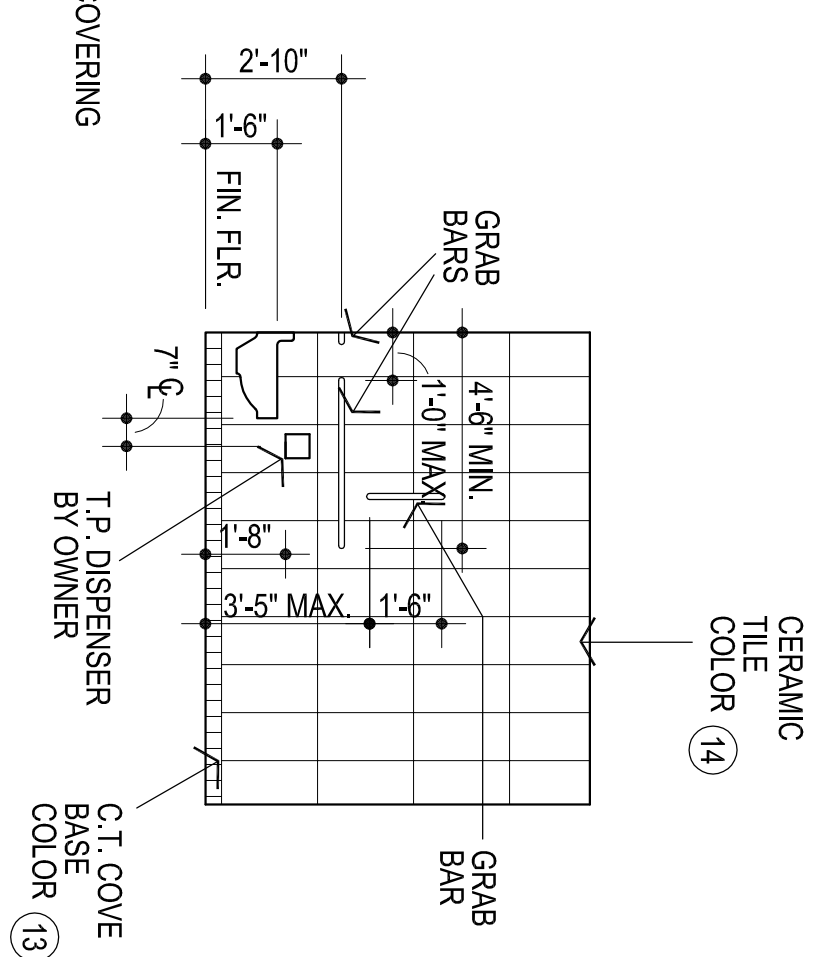
MOUNT FIRE EXTINGUISHER CABINET SO EXTINGUISHER HANDLES @ 48" ABOVE FINISH FLOOR MAX.



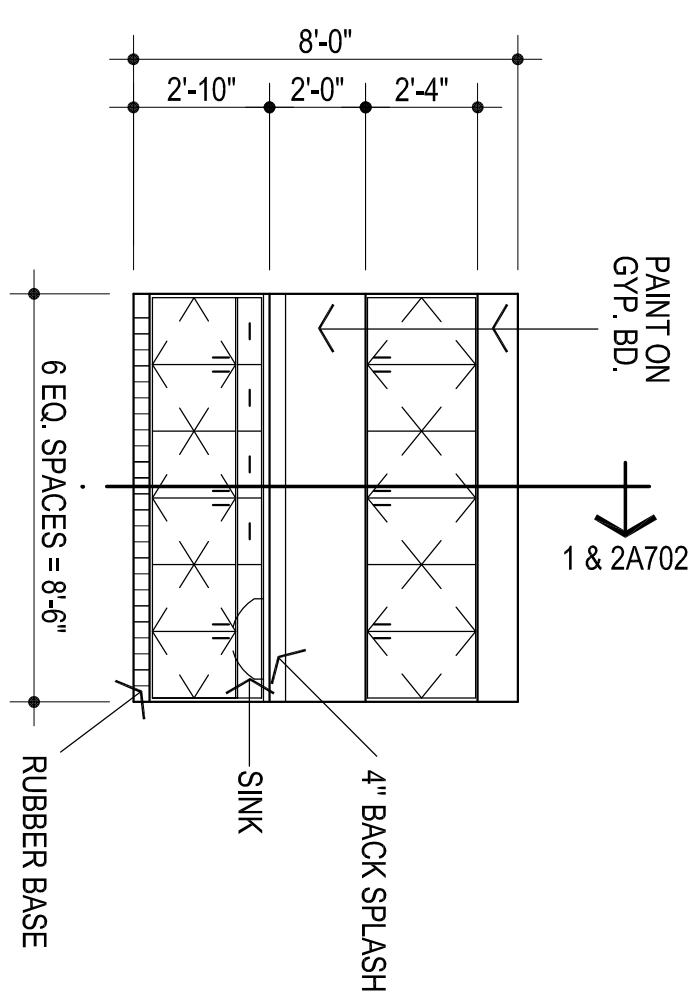
**1** TYPICAL MOUNTING HEIGHTS  
1/4" = 1'-0"



**2** E. WALL ROOM # 8, 17, 19 & 20 OPP.  
1/4" = 1'-0"

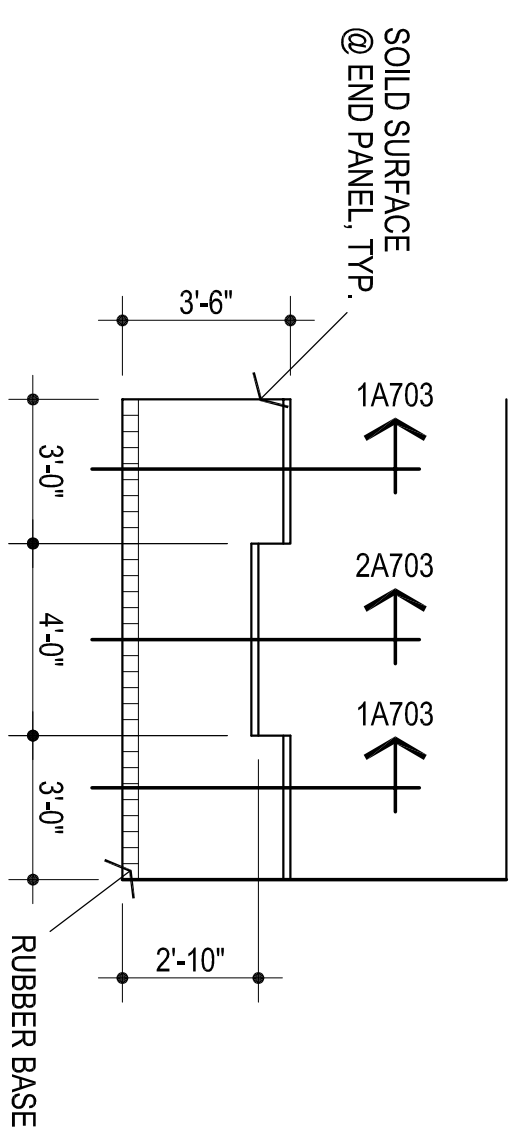


**3** HANDICAP ACCESSIBLE W.C.  
1/4" = 1'-0"

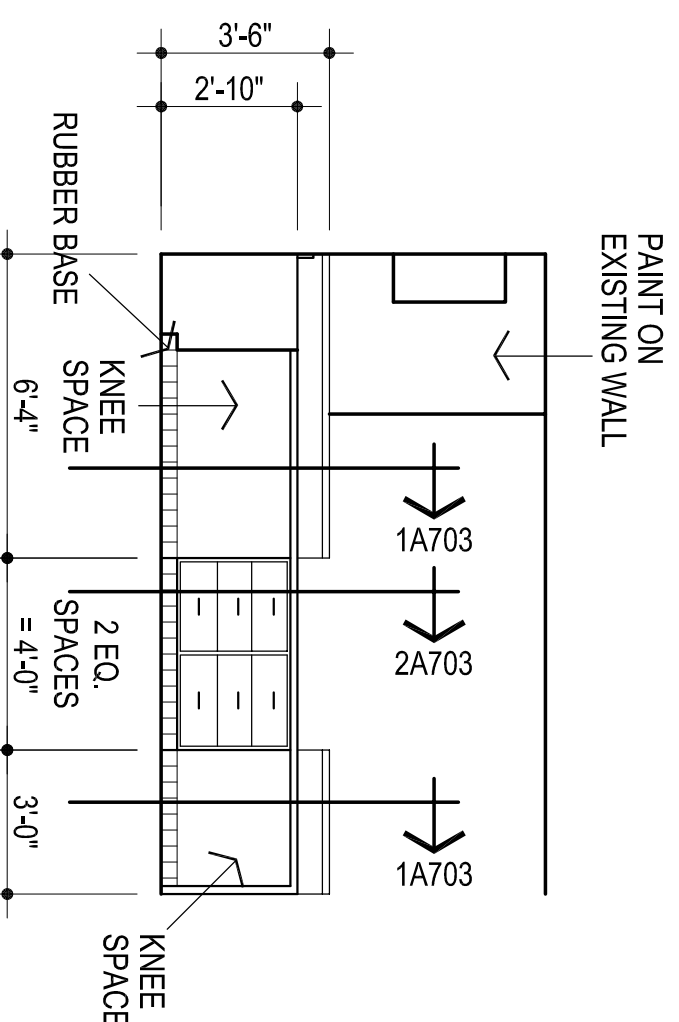


**4** N. WALL ROOM # 11  
1/4" = 1'-0"

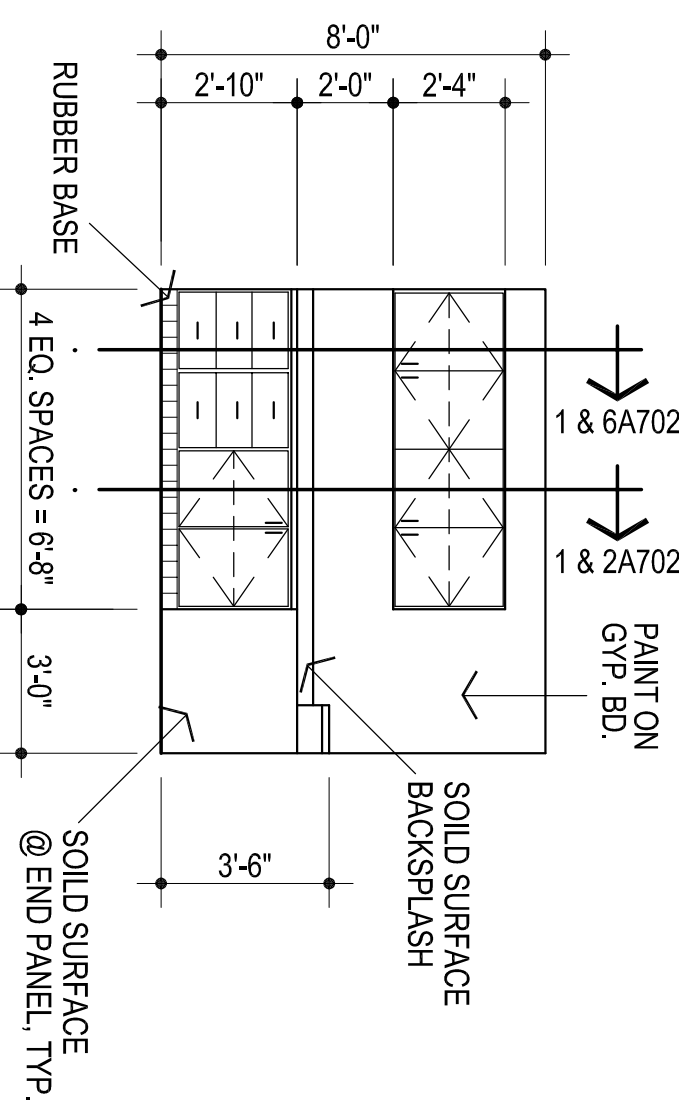
NOTE: CONTRACTOR TO VERIFY THAT THE MOUNTING HEIGHTS OF ALL WALL MOUNTED FIXTURES (I.E. PLUMBING FIXTURES, GRAB BARS, MIRRORS, ETC.) MEET ALL APPLICABLE CODES & STANDARDS PRIOR TO INSTALLATION.



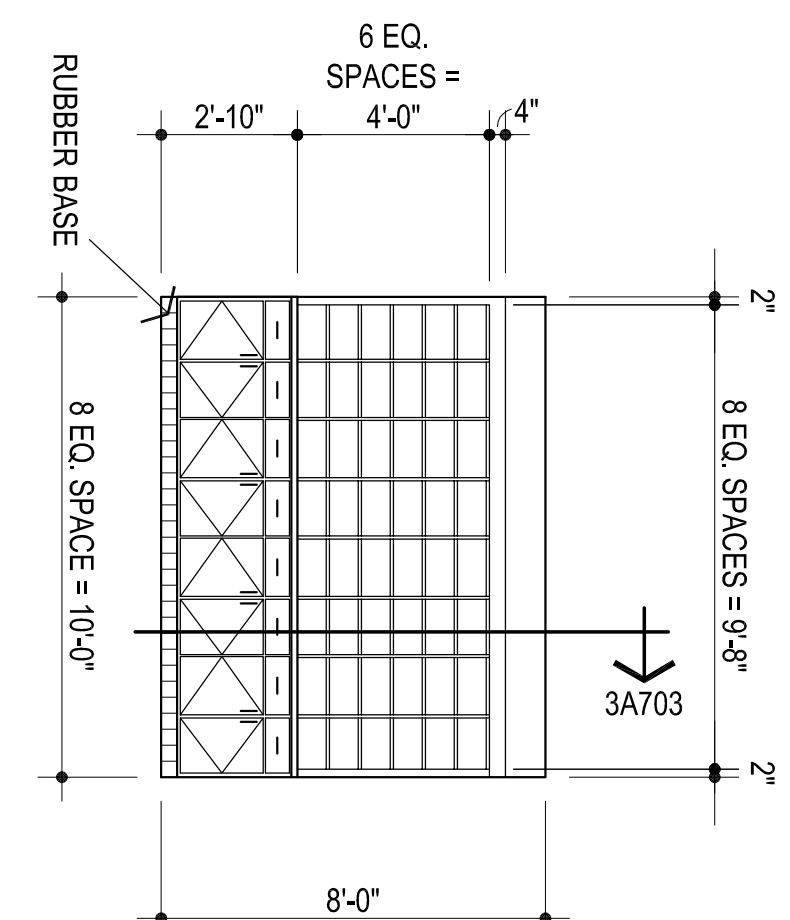
**5** S. WALL ROOM # 2  
1/4" = 1'-0"



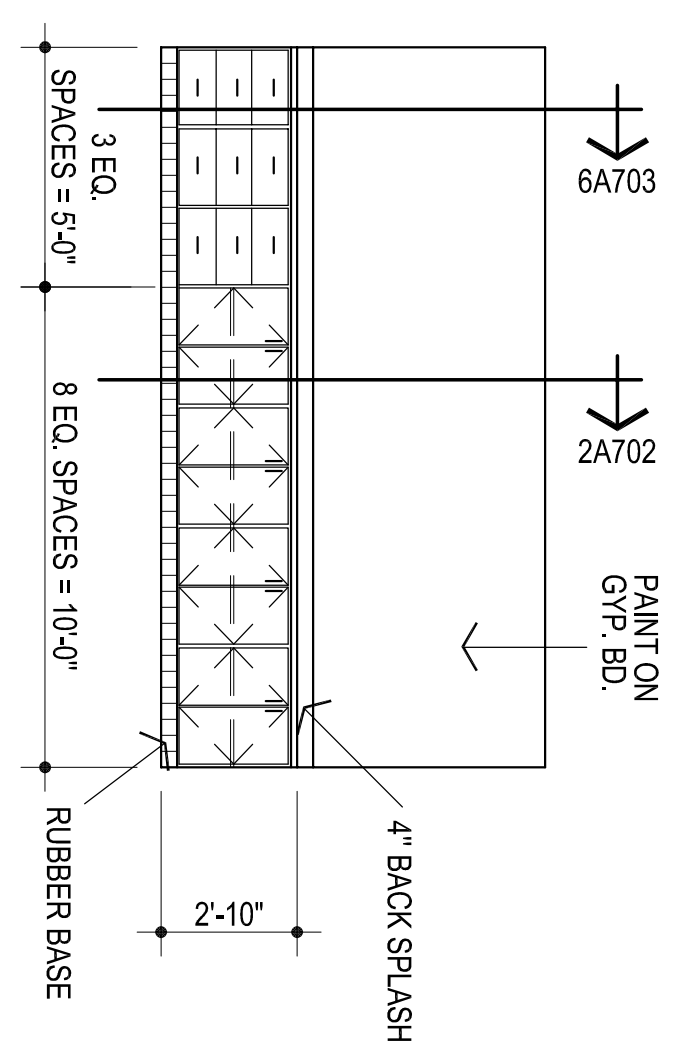
**6** N. WALL ROOM # 2  
1/4" = 1'-0"



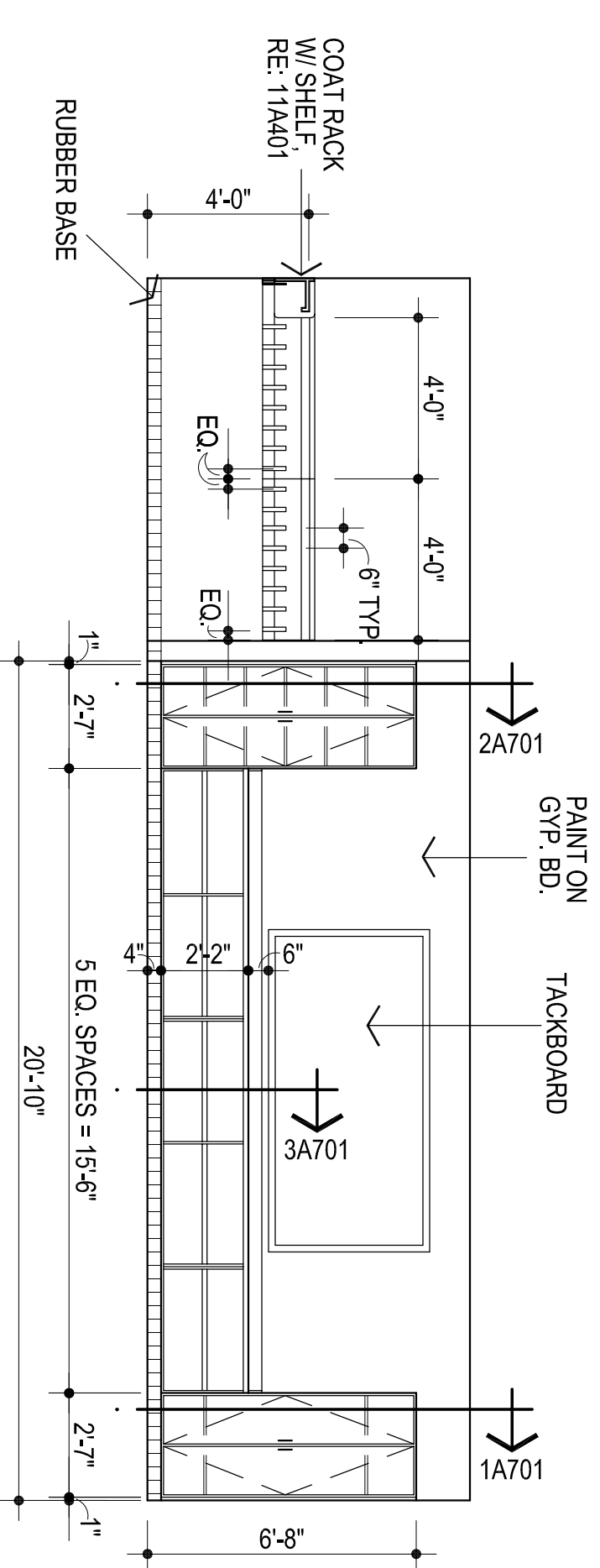
**7** W. WALL ROOM # 2  
1/4" = 1'-0"



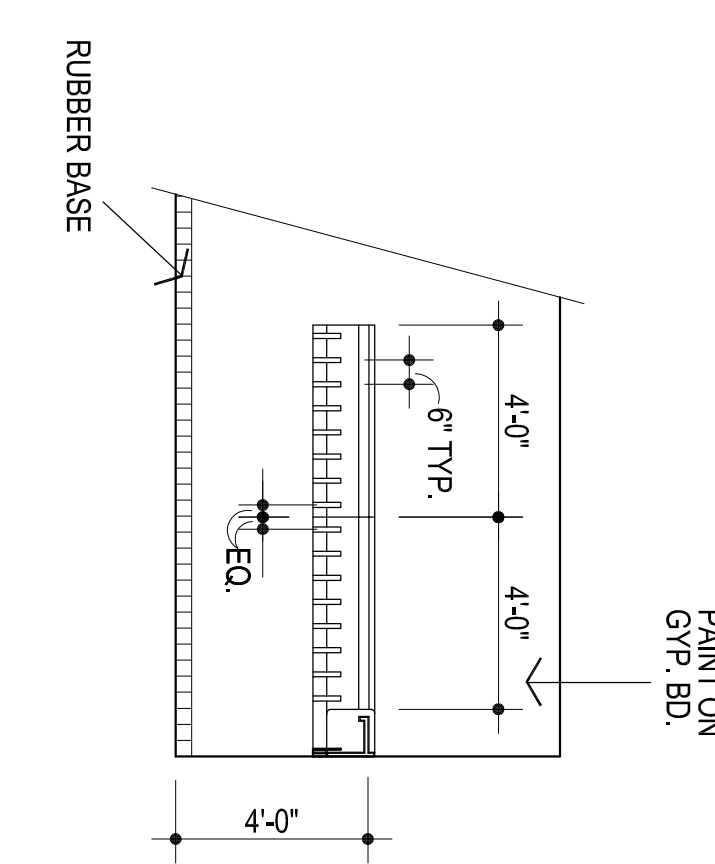
**8** E. WALL ROOM # 15  
1/4" = 1'-0"



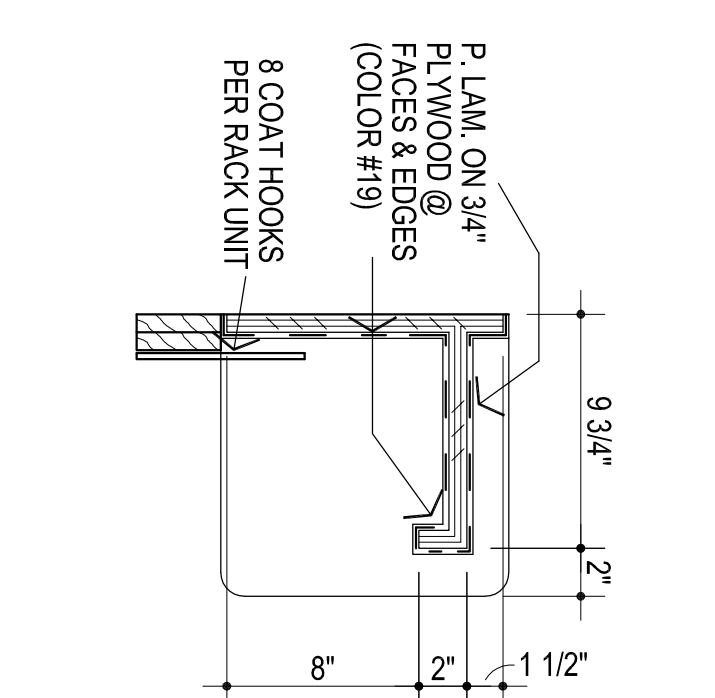
**9** W. WALL ROOM # 15  
1/4" = 1'-0"



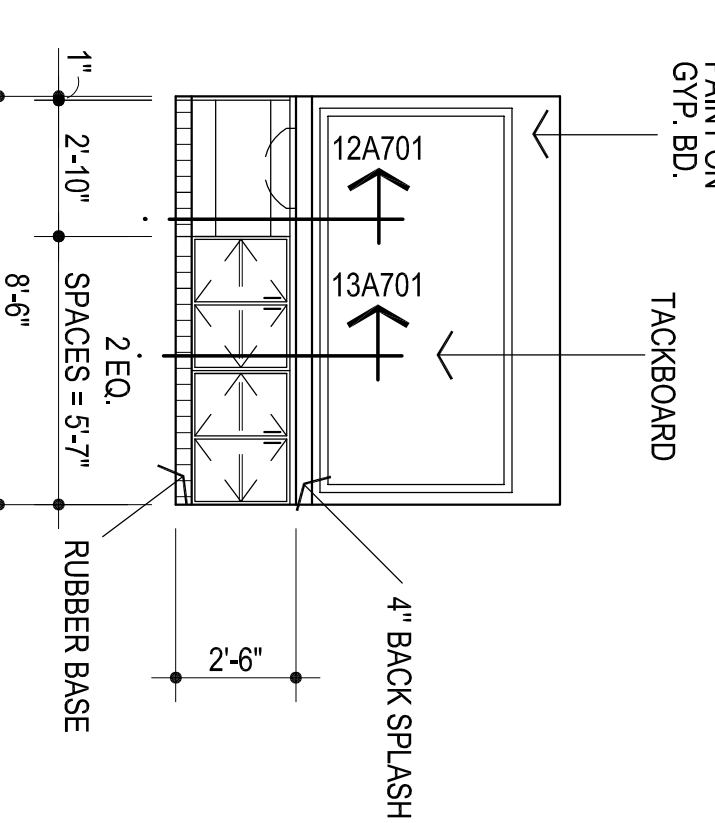
**10** N. WALL ROOM # 18  
1/4" = 1'-0"



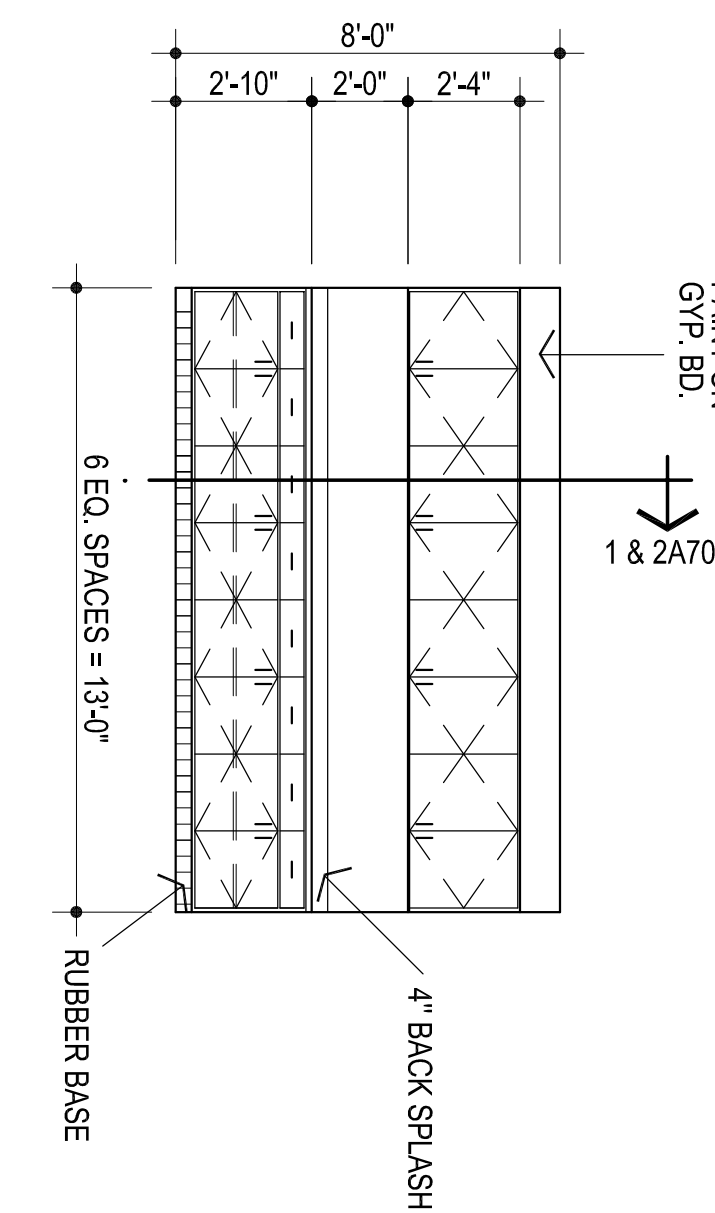
**11** W. WALL ROOM # 18  
1/4" = 1'-0"



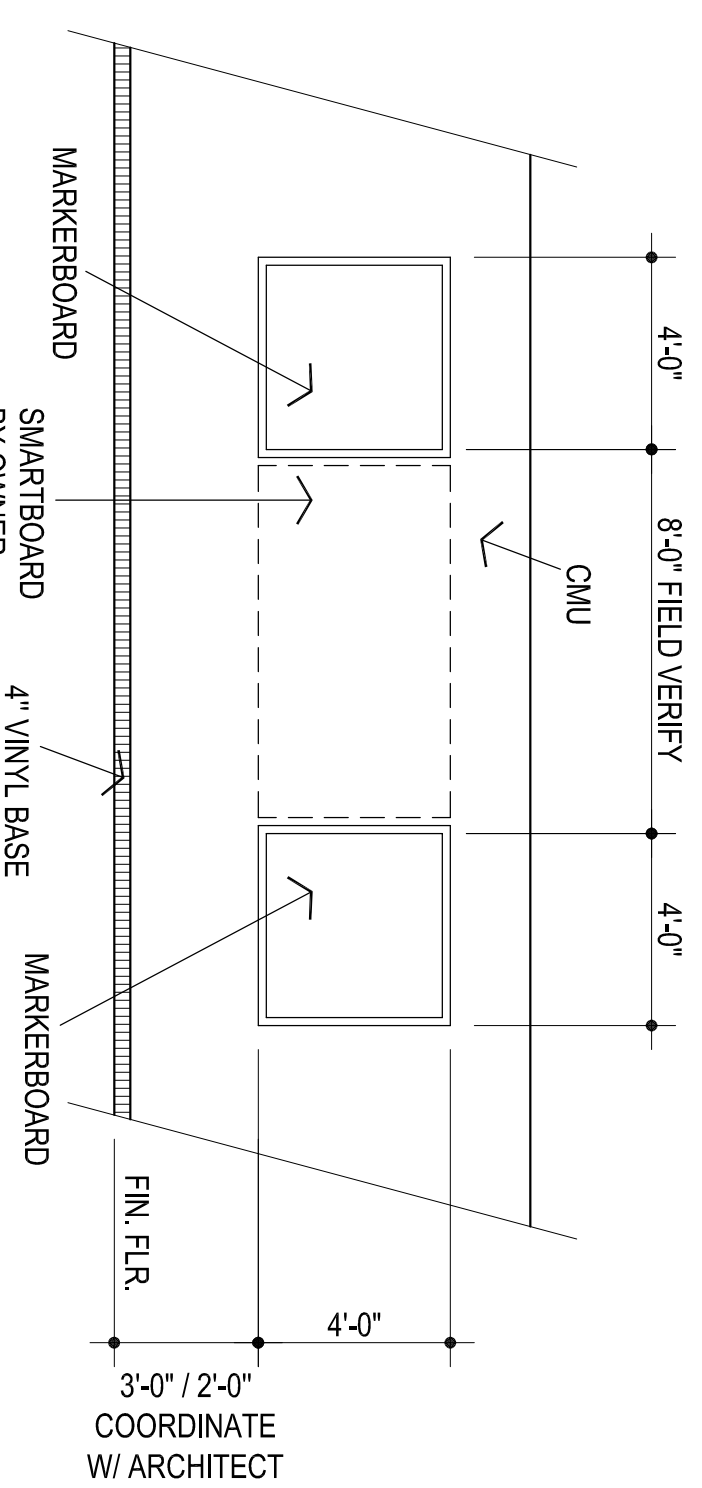
**12** COAT HOOK SECTION  
1/12" = 1'-0"



**13** S. WALL ROOM # 18  
1/4" = 1'-0"



**14** W. WALL ROOM # 5  
1/4" = 1'-0"



**15** ELEV. @ TYP. CLASSROOM "SMARTBOARD"  
1/4" = 1'-0"