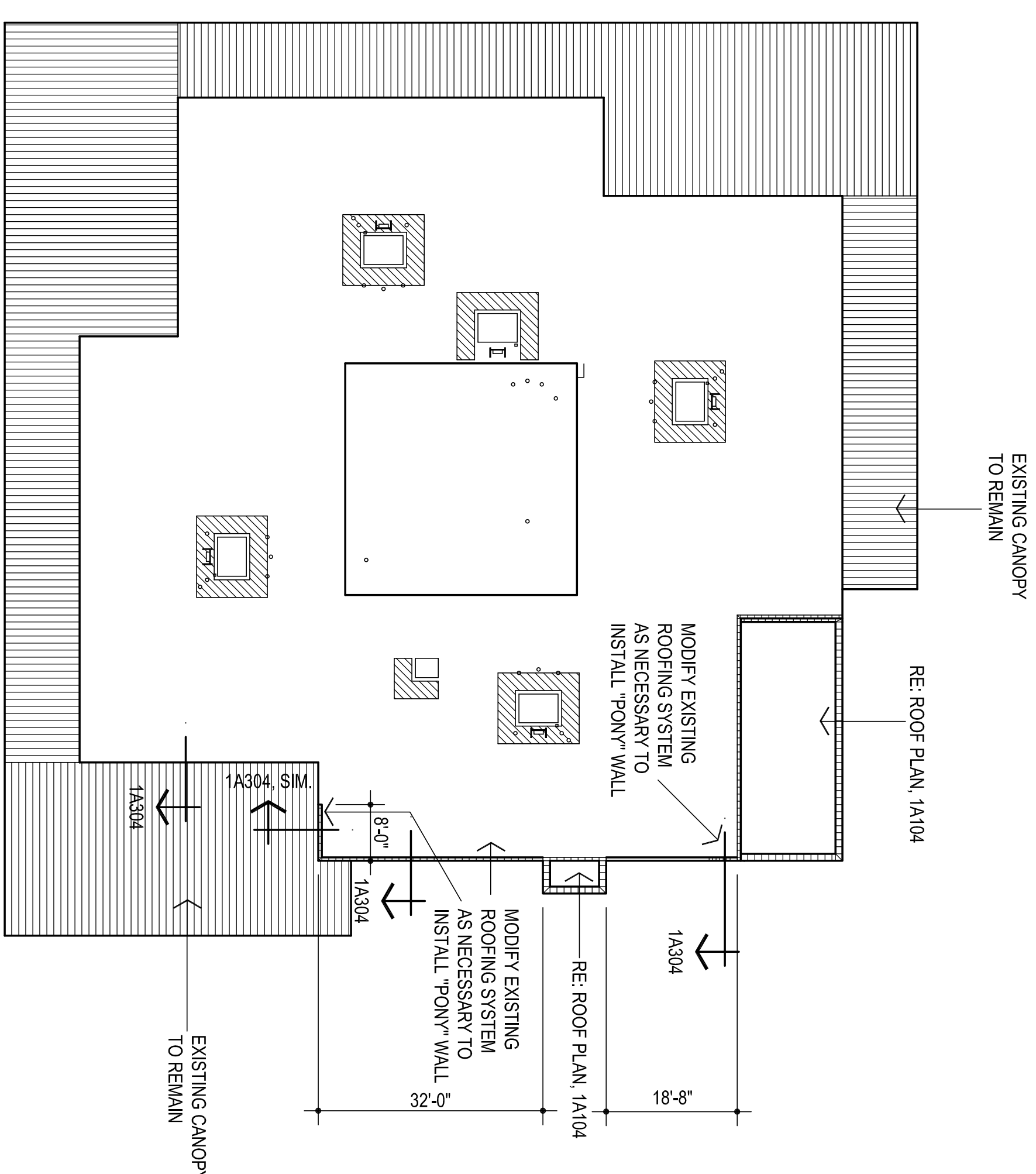
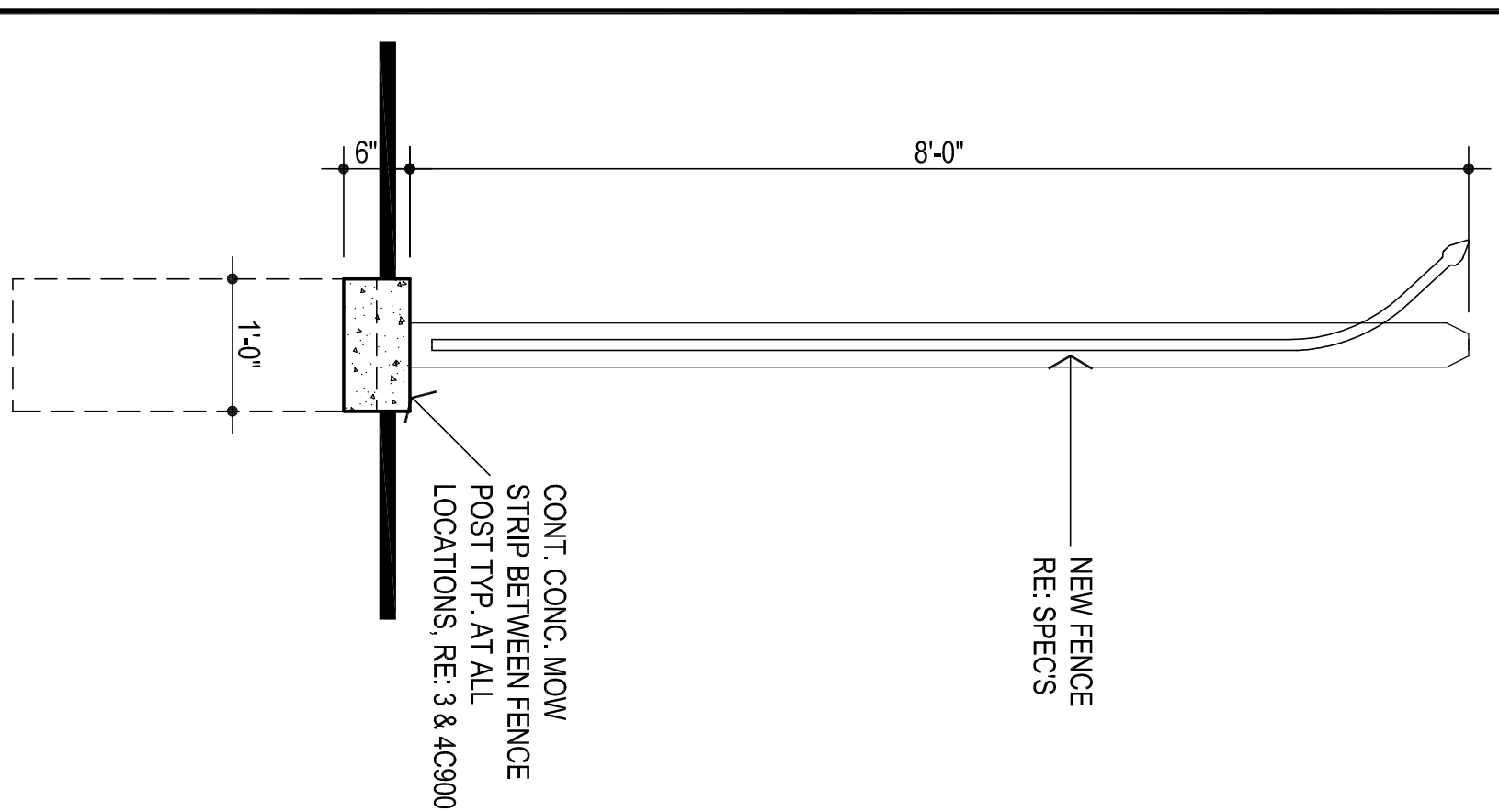


**1** WALL SECTION  
3/4" = 1'-0"



**4** PARAPET WALL LOCATION PLAN  
1/16" = 1'-0"



**5** FENCE SECTION  
3/4" = 1'-0"

**AGP**  
the Abila Griffin  
Partnership L.L.C.  
201 N. BROADWAY  
SUITE 210  
MOORE, OK, 73160  
405.735.3477  
AGP@theAGP.net  
www.theAGP.net

KEC ENGINEERING  
STRUCTURAL  
SALAS O'BRIEN  
PLUMBING / MECHANICAL / ELECTRICAL

STATE OF OKLAHOMA  
MICHAEL L. ABILA  
2639  
5/12/24

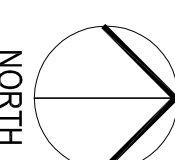
CS  
drawn by  
MA  
checked by  
MA/2024  
date  
revisions

MOORE PUBLIC SCHOOLS  
BOARD OF EDUCATION  
MOORE, OKLAHOMA  
MOORE Public Schools  
LEARNING FOR LIFE

RED OAK  
ELEMENTARY SCHOOL  
SECURITY UPGRADES

Sheet no.  
**A304**

WALL SECTIONS  
OWNERSHIP USE OF DOCUMENTS:  
AGP EXPRESSLY RESERVES ITS  
COPYRIGHT AND OTHER PROPERTY  
RIGHTS OF ALL PLANS AND DRAWINGS  
DESIGNED AND/OR PRODUCED HEREIN.  
REPRODUCED IN ANY FORM OR MANNER  
WITHOUT THE EXPRESSED WRITTEN  
CONSENT OF AGP.



NORTH