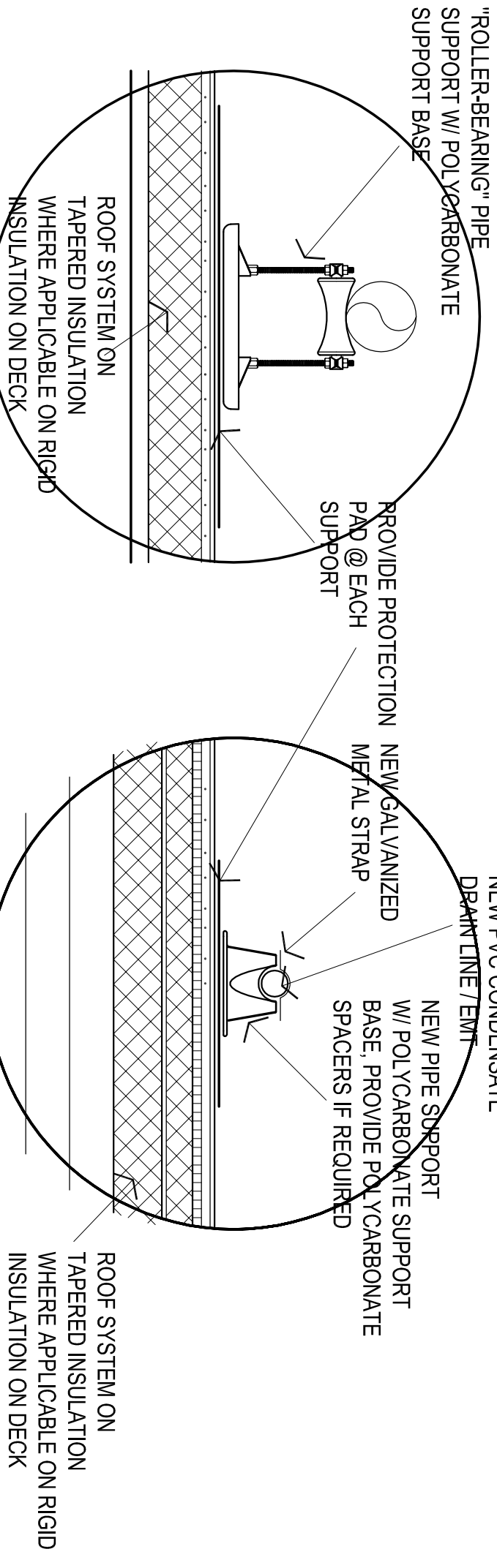
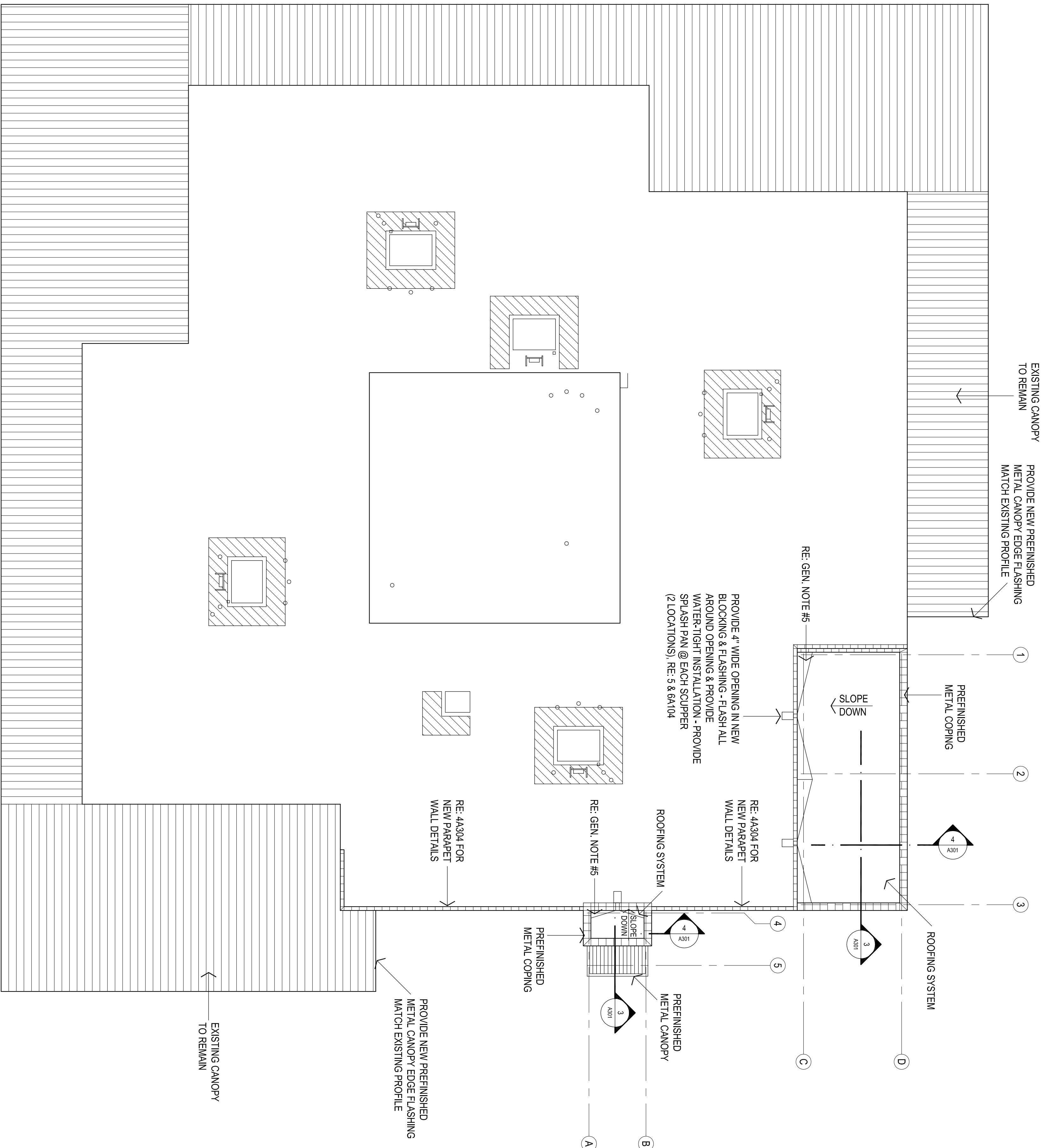
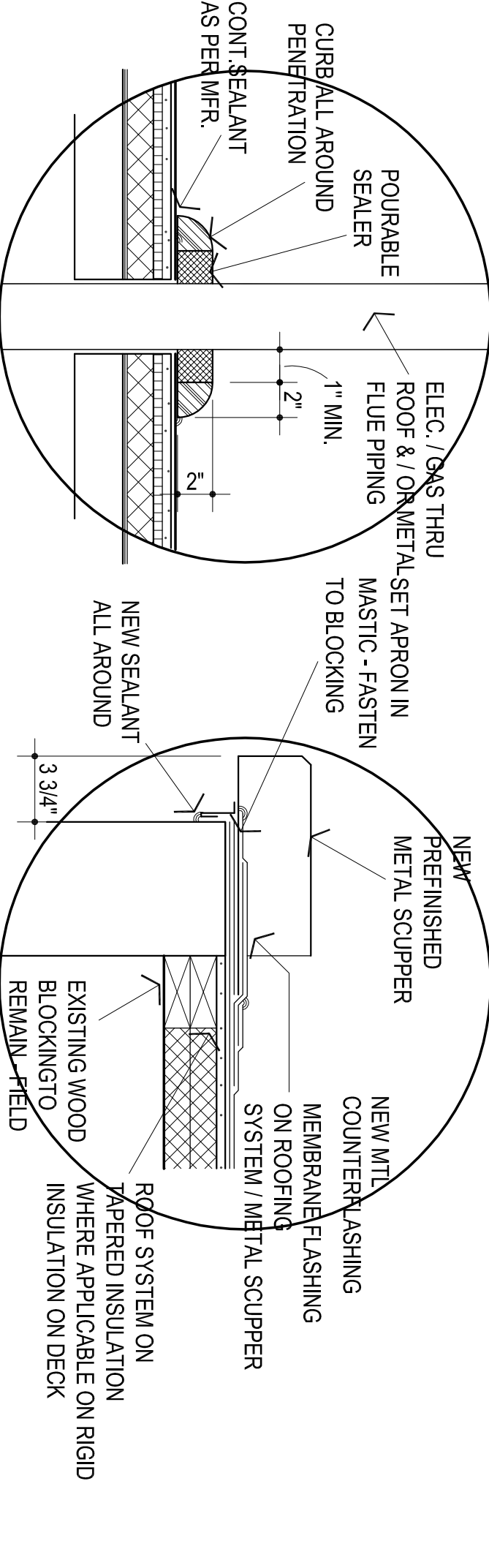




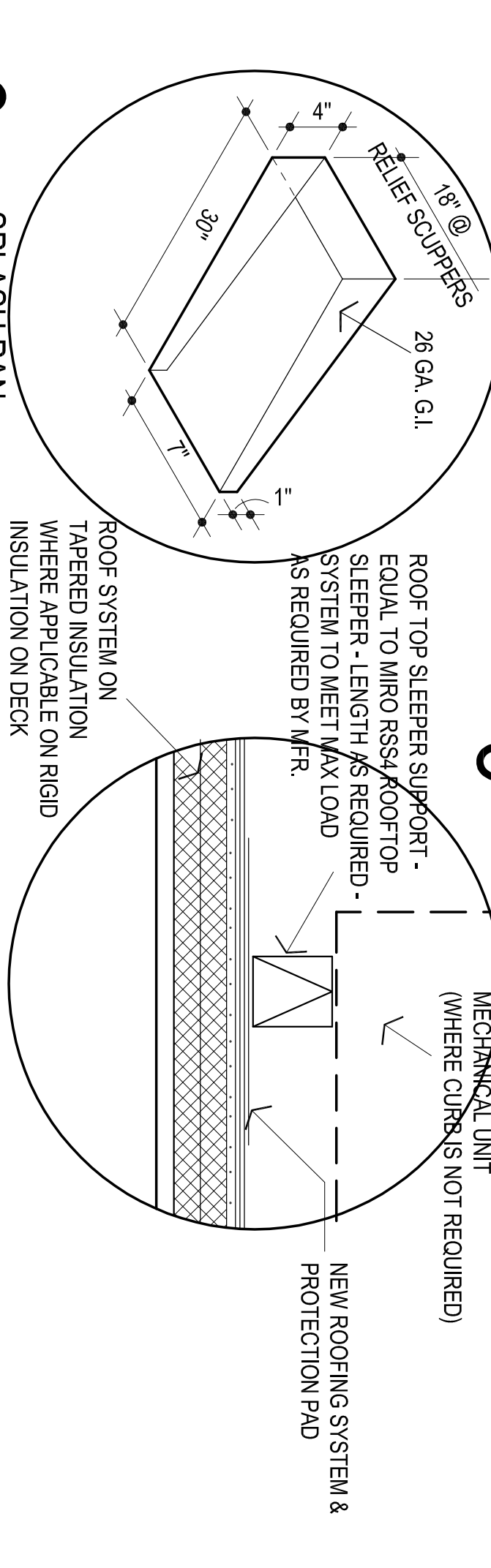
CG
drawn by _____
MA
checked by _____
MAY 2024
daba
revisions _____



2 ADJUSTABLE PIPE SUPPORTS - FRONT VIEW
NO SCALE



3 RELIEF SCUPPER W/ EXTENSION
NO SCALE



4 PENETRATION DAM / SEALER POCKET @ MAJOR PENETRATIONS
NO SCALE



5 MECH. UNIT SUPPORT
NO SCALE



6 SPLASH PAN
NO SCALE

NOTES:

1. RE. MECH & ELEC. FOR ADDITIONAL ROOF MOUNTED ITEMS. CONTRACTOR TO COORDINATE ALL ROOF MOUNTED ITEMS & PENETRATIONS W/ APPLICABLE TRADES
2. CONTRACTOR TO COORDINATE ROOF VENT PENETRATIONS W/ ARCHITECT.
3. INDICATES NEW WALKWAY PAD LOCATIONS - CUT PADS INTO 3'-0" MAX LENGTHS & PLACE 2" APART TO COVER AREAS INDICATED.
4. PROVIDE @ ALL ROOF PENETRATIONS - PENETRATION DAM / SEALER POCKETS AS PER DETAILS
5. PROVIDE "CRICKETS" AS INDICATED TO PROVIDE POSITIVE DRAINAGE TO SCUPPERS. MAINTAIN A MIN. OF 1/8" PER FOOT SLOPE. TYPICAL.

ROOF PLAN

1/8" = 1'-0"

