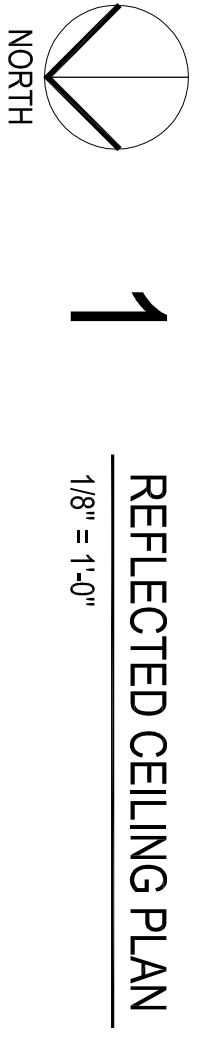
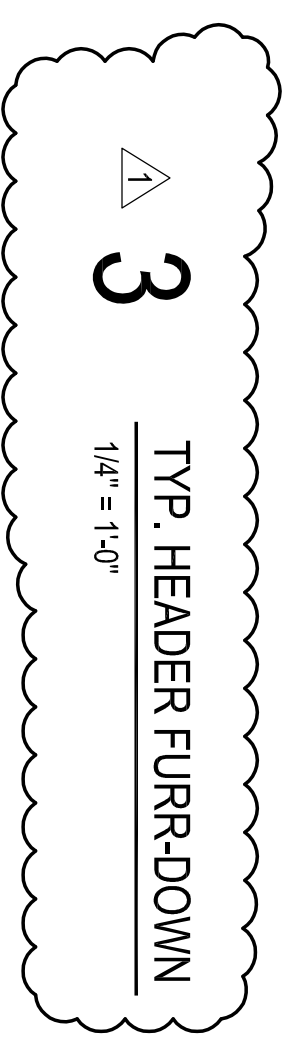
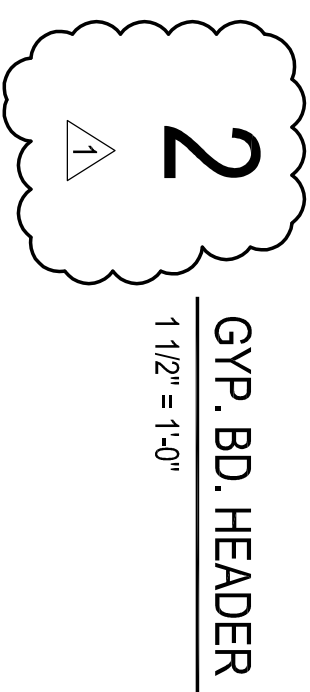
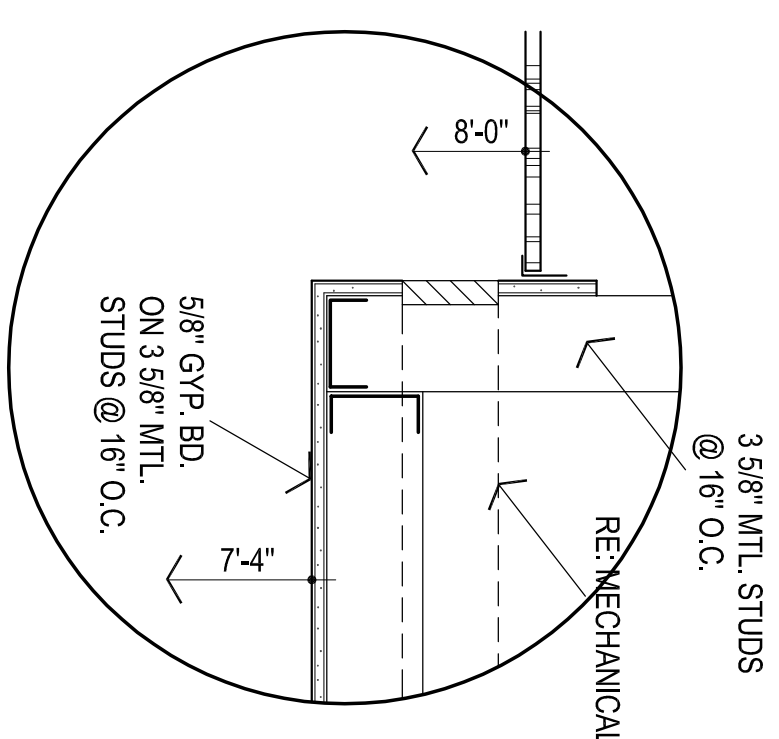




CC
drawn by
MA
checked by
MAV 2024
date
revisions
ADDENDUM #1



NOTES:

1. REFER MECHANICAL & ELECTRICAL FOR ANY ADDITIONAL CEILING MOUNTED FIXTURES
2. REFER TO SHEET A100 FOR LOCATIONS OF FIRE-RATED WALLS
3. FIN. FLR. FOR HEADER FURR-DOWN & SIDEWALL MECHANICAL LOUVERS, RE: 2 & 3A103