

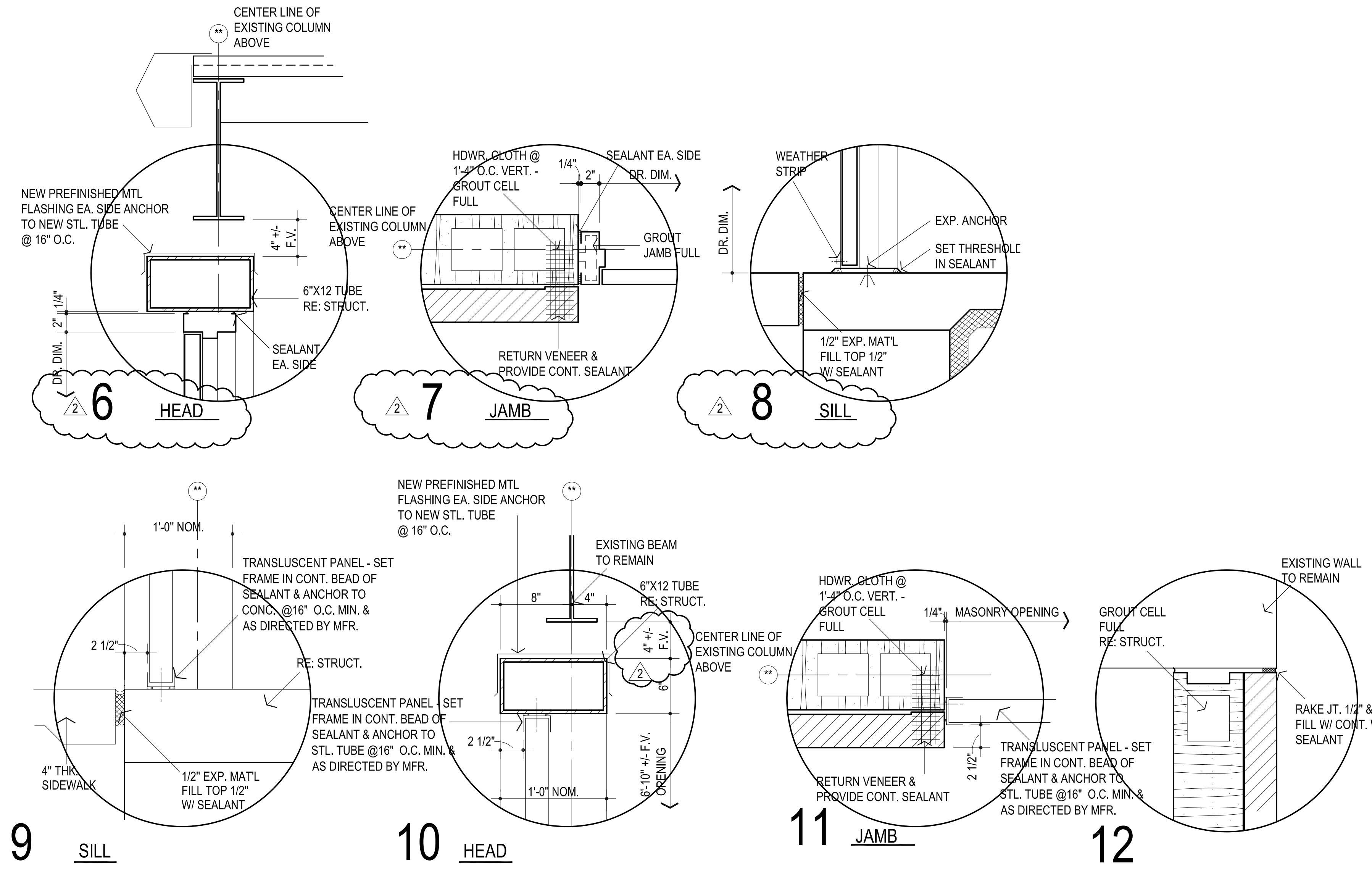
EXTERIOR DOORS / GATES

DOOR NO.	LOCATION		DOOR ELEV.	DOOR MAT'L	DOOR SIZE			FRAME ELEV.	DOOR DETAILS				REMARKS	HDWR. SET NO.
	FROM	TO			WIDTH	HEIGHT	TH'K		HEAD	SILL	JAMB	JAMB		
F1	CORR.	EXT.	A	H.M.	PR. 3'-0"	7'-0"	1 3/4"	B	6A601	8A601	7A601	7A601		F2
F2			A	H.M.	PR. 3'-0"	6'-8"	1 3/4"	A	6A601	8A601	7A601	7A601		F2
F3			A	H.M.	PR. 3'-0"	6'-8"	1 3/4"	A	6A601	8A601	7A601	7A601		F2
F4													BY FENCE / GATE MFR.	F3
F5			A	H.M.	PR. 3'-0"	6'-8"	1 3/4"	A	6A601	8A601	7A601	7A601		F2
F6													BY FENCE / GATE MFR.	F3
F7													BY FENCE / GATE MFR.	F3
F8													BY FENCE / GATE MFR.	F3
F9	CORR.	EXT.											BY FENCE / GATE MFR.	F3

REMODEL / ADDITION

DOOR NO.	LOCATION		DOOR ELEV.	DOOR MAT'L	DOOR SIZE			FRAME ELEV.	DOOR DETAILS				REMARKS	HDWR. SET NO.
	FROM	TO			WIDTH	HEIGHT	TH'K		HEAD	SILL	JAMB	JAMB		
1	1	EXT.	B	H.M.	3'-0"	7'-0"	1 3/4"	C	1A501	15A501	8A501	8A501		7
2	2	1	B	H.M.				D	2A501, SIM.	16A501	4A501, SIM.	4A501		6
3	7	EXT.	B	H.M.				E	3A501	15A501	4A501	10A501		7
4	5	6	A	WD.				A	2A501	16A501	9A501	9A501		3
5	5	8	A											2
6	4	5	B											4
7	4	3												4
8	4	9												4
9	7	9												4
10	2	10												4
11	11	EXIST.	B											1
12	12	17	A											2
13	16	13	B											4
14	14	13	A											3
15	16	15	B											4
16	16	EXIST.	B											1
17	EXIST.	18	B											5
18	18	20	A											2
19	18	19	A											2
20	EXIST.	18	A	WD.	3'-0"	7'-0"	1 3/4"	A	2A501	16A501	9A501	9A501		5

2 DOOR SCHEDULE



AGP
the Abla Griffin Partnership L.L.C.
313 S. E. 5th Street
MOORE, OK. 73160
405.735.3477
AGP@theAGP.net
www.theAGP.net

KFC ENGINEERING
STRUCTURAL
SALAS O'BRIEN
PLUMBING / MECHANICAL / ELECTRICAL

STATE OF OKLAHOMA
MICHAEL L. ABLA
2639
CITY OF MOORE
5/2/24

CG
drawn by
MA
checked by
MAY 2024
date
revisions
1 ADDENDUM #1
2 CB-2

MOORE PUBLIC SCHOOLS
BOARD OF EDUCATION
MOORE, OKLAHOMA

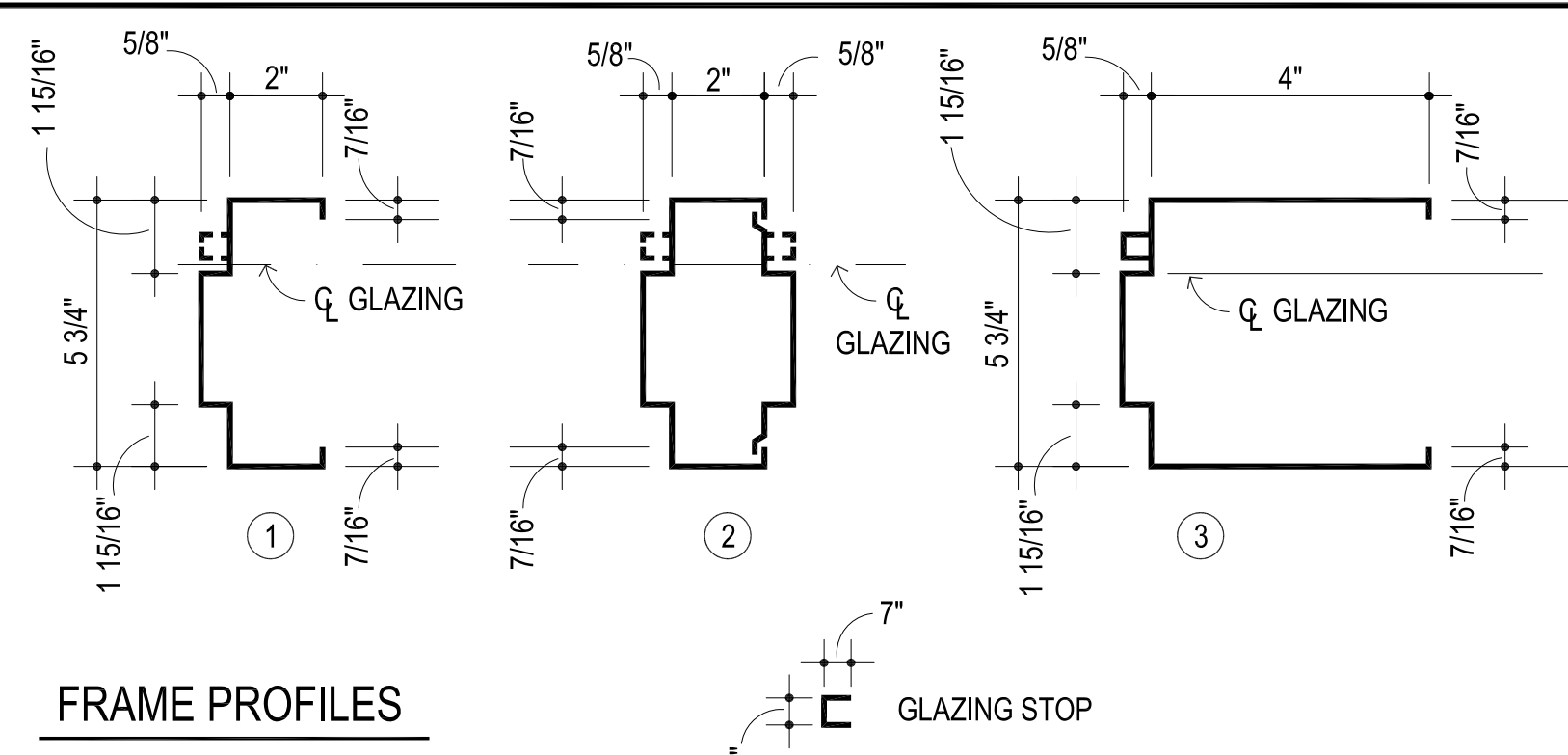
MOORE Public Schools
LEARNING FOR LIFE

RED OAK
ELEMENTARY SCHOOL
SECURITY UPGRADES

sheet no:
A601

OWNERSHIP USE OF DOCUMENTS:
AGP EXPRESSLY RESERVES ITS
COPYRIGHT AND OTHER PROPERTY
RIGHTS OF ALL PLANS AND DRAWINGS
DESIGNED AND/OR PRODUCED. PLANS
AND DRAWINGS ARE NOT TO BE
REPRODUCED IN ANY FORM OR MANNER
WITHOUT THE EXPRESSED WRITTEN
CONSENT OF AGP.

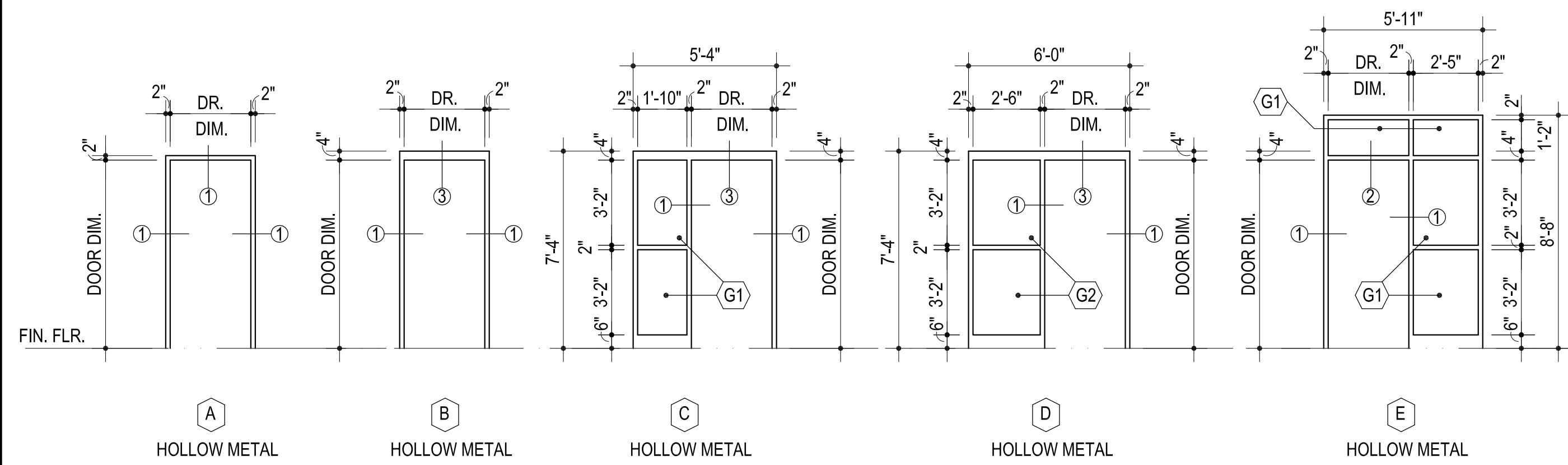
3 FRAME PROFILES



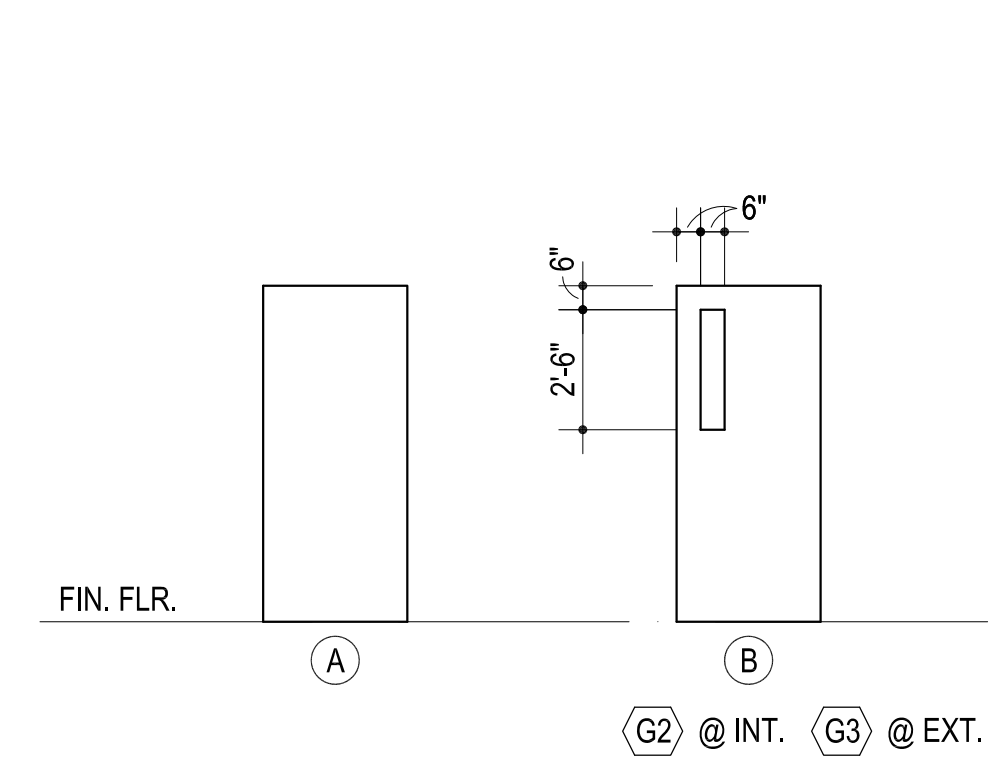
14 GLAZING SCHEDULE

- G1 7/8" IMPACT RESISTANT INSULATING GLASS
- G2 1/4" CLEAR TEMPERED GLASS
- G3 7/8" NOM. TEMPERED INSULATING GLASS

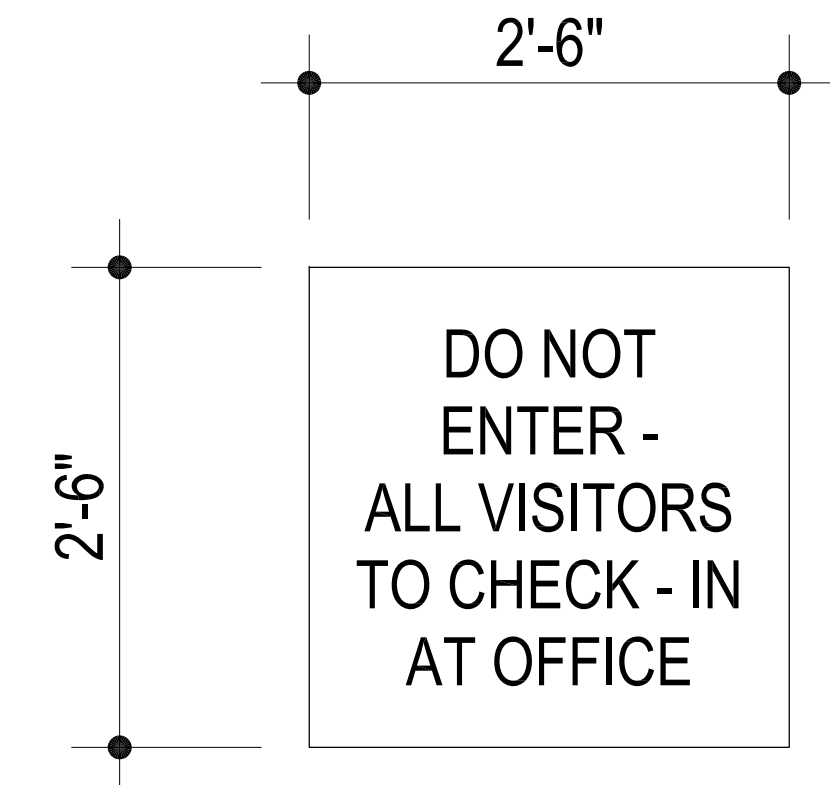
4 FRAME ELEVATIONS



5 DOOR ELEVATIONS



13 EXTERIOR SIGNAGE



** -
REFER 1A101 FOR LOCATIONS
(ALL DOORS & / OR GATES
THRU NEW PERIMETER WALLS
& FENCE) & SPECIFICATIONS
FOR FABRICATION INFORMATION