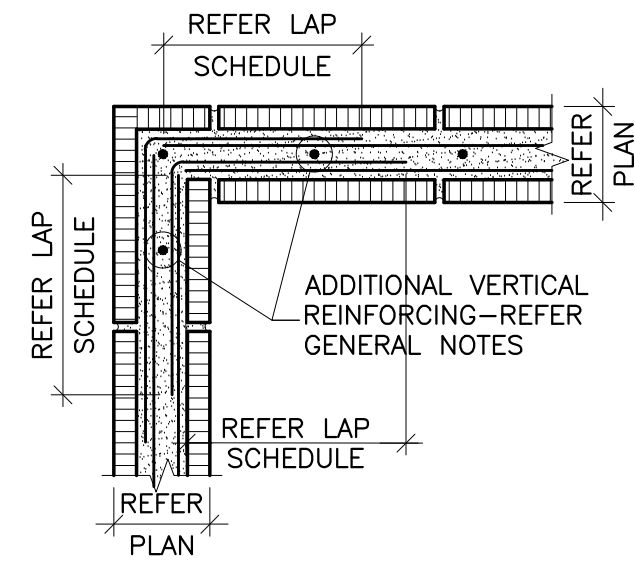
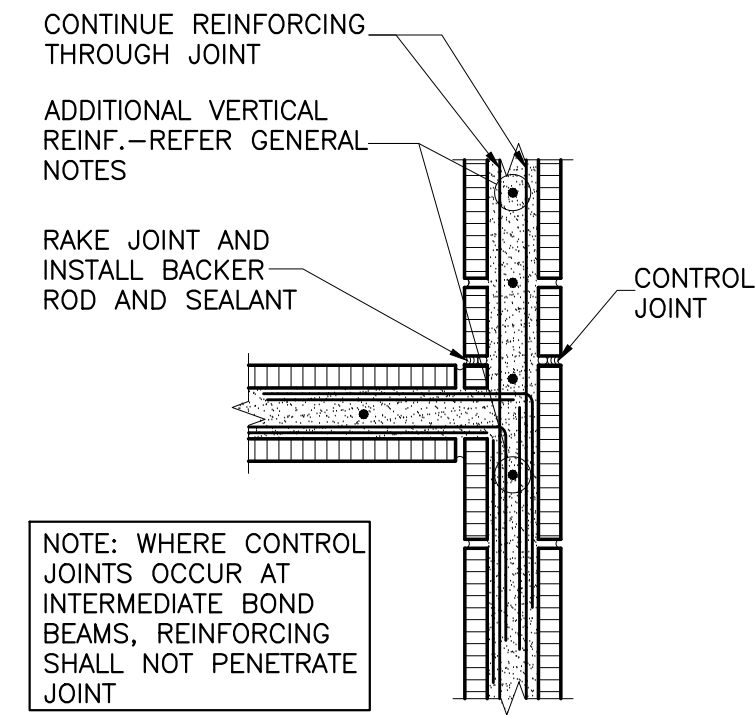


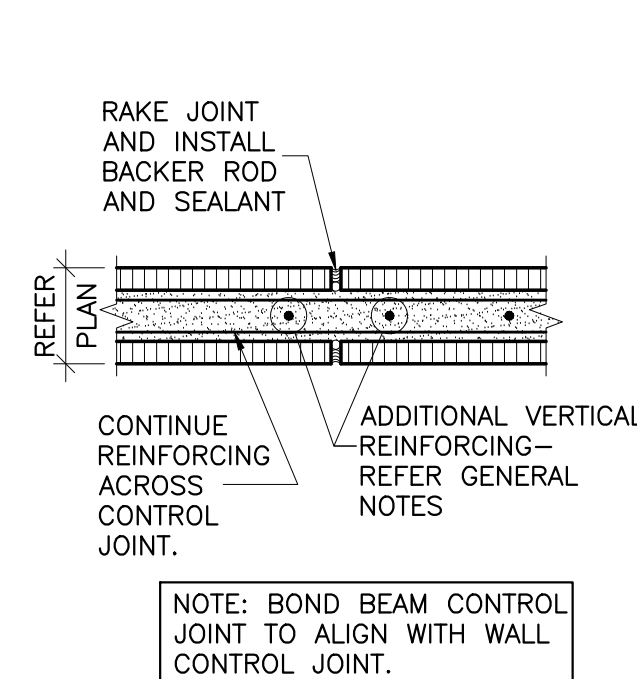
1 DETAIL AT BOND BEAM CORNER W/ NO CONTROL JT
SCALE: NONE



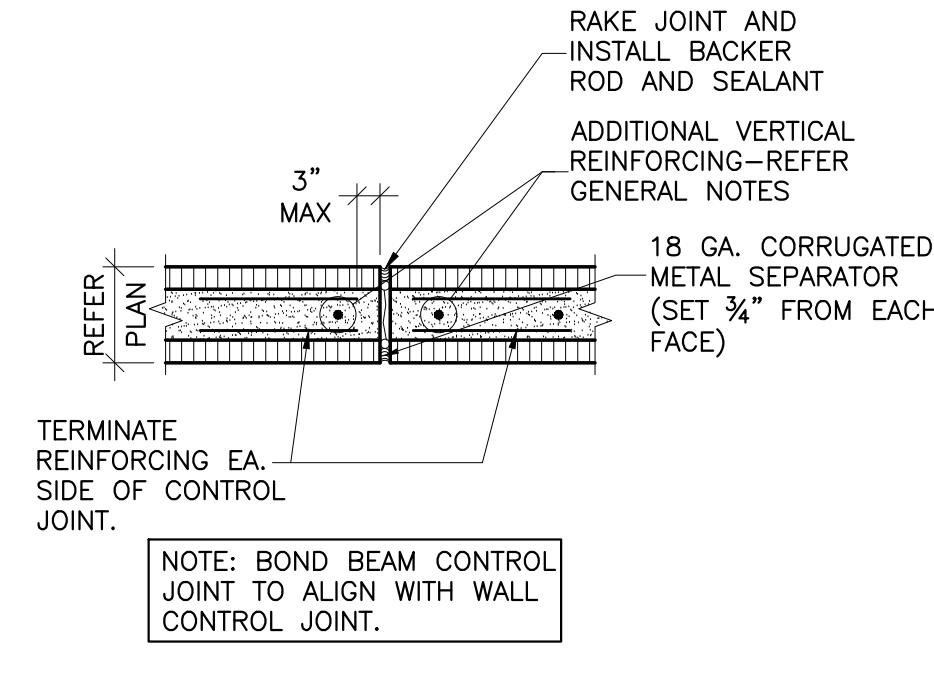
2 DETAIL AT FLOOR/ROOF BOND BEAM CORNER W/ CONTROL JT
SCALE: NONE



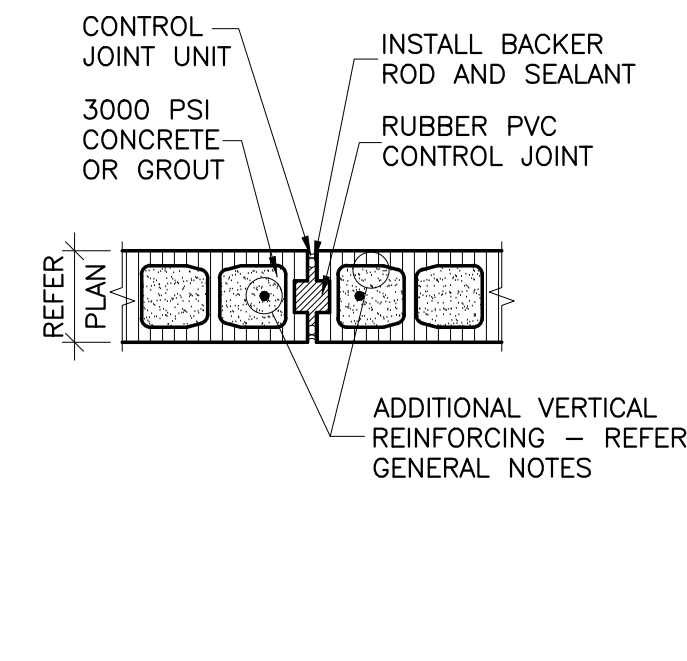
3 CORNER BOND BEAM WITH NO CONTROL JT
SCALE: NONE



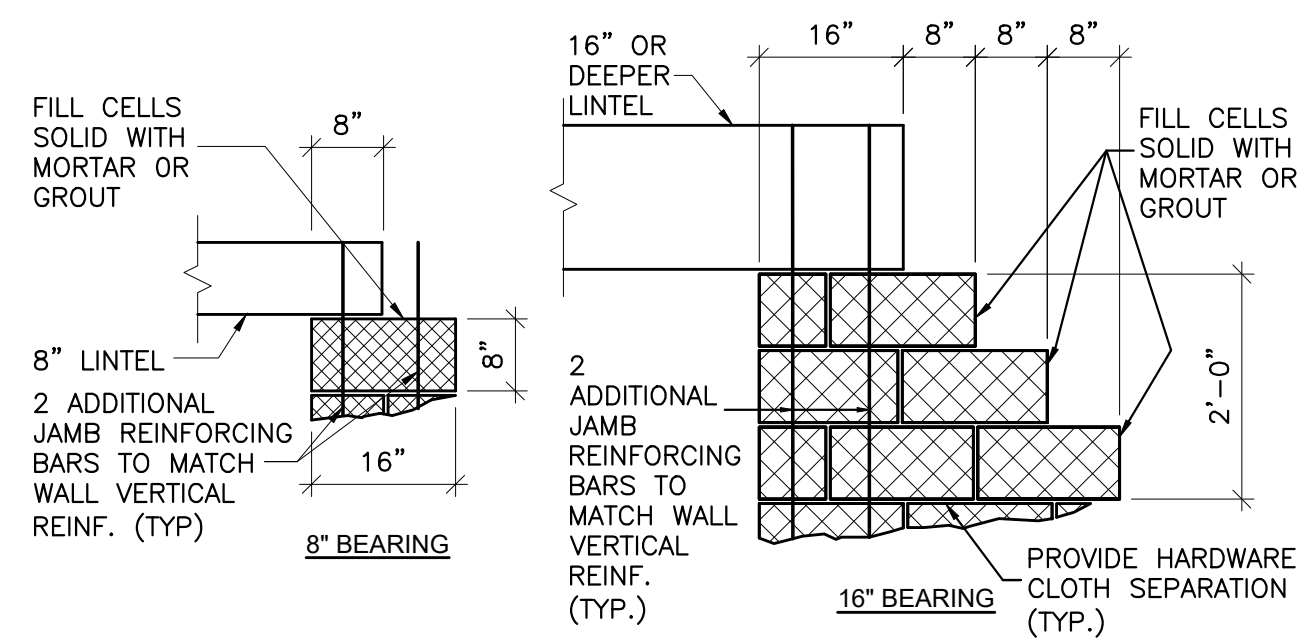
4 CONTROL JT AT FLOOR/ROOF BOND BEAM
SCALE: NONE



5 CONTROL JT AT INTERMEDIATE BOND BEAM
SCALE: NONE



6 CONTROL JT BETWEEN BOND BEAMS
SCALE: NONE

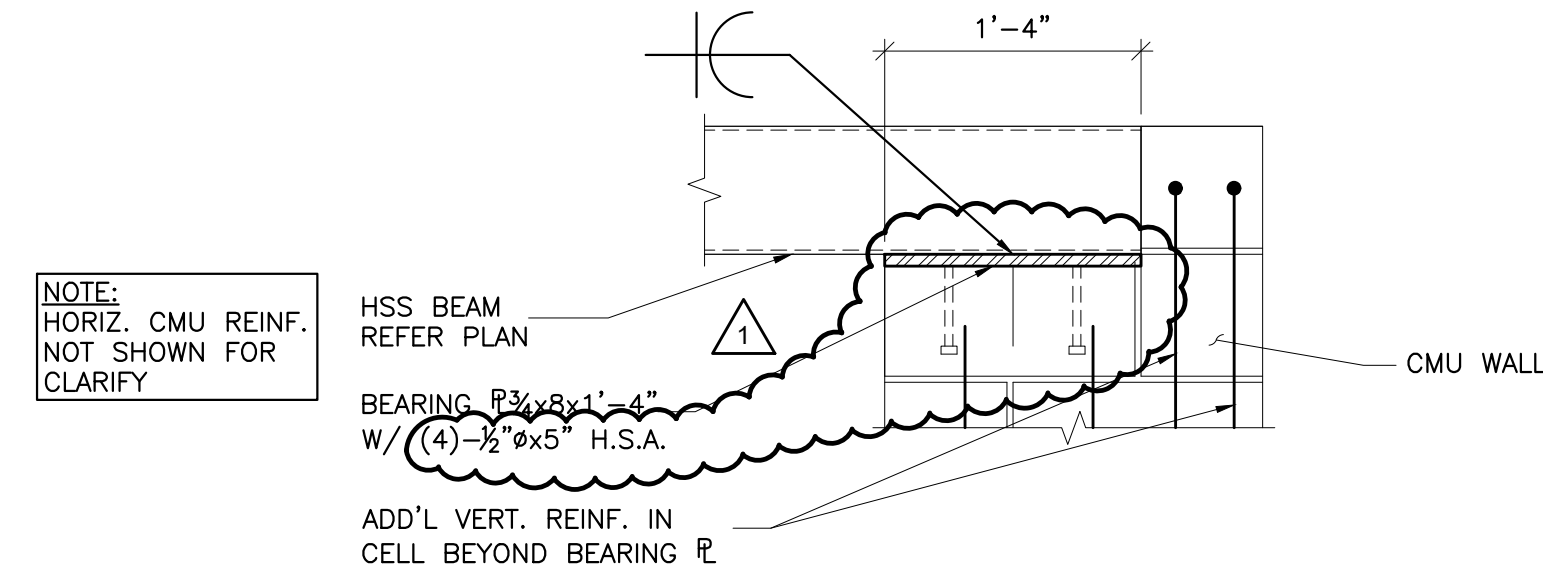


7 BEARING DETAILS TYP. LINTEL TYPES
SCALE: NONE

BAR SIZE	LENGTH (in.)			
	CENTER			EDGE (2 IN CLEAR COVER)
	6" CMU	8" CMU	12" CMU	6", 8", 12" CMU
3	1'-0"	1'-0"	1'-0"	1'-6"
4	1'-6"	1'-6"	1'-0"	2'-0"
5	2'-6"	2'-0"	1'-6"	3'-0"
6	**	3'-6"	2'-0"	**
7	**	**	3'-0"	**
8	**	**	**	**

8 CMU REINFORCING LAP SCHEDULE
SCALE: NONE

NOTES:
1. f'm = 2000 psi
2. f_y = 60,000 psi
*SCHEDULE ALSO APPLIES TO EMBEDMENT LENGTHS
**MECHANICAL SPLICES SHALL BE USED



9 TYP. BEAM BEARING PLATE DETAILS
SCALE: NONE

CJC
drawn by
BWB
checked by
MAY 2024
date
revisions

1 CB 1 08-21-2024

MOORE PUBLIC SCHOOLS
BOARD OF EDUCATION
MOORE, OKLAHOMA



RED OAK
ELEMENTARY SCHOOL
SECURITY UPGRADES

sheet no:

S105

OWNERSHIP USE OF DOCUMENTS:

AGP EXPRESSLY RESERVES ITS COPYRIGHT AND OTHER PROPERTY RIGHTS OF ALL PLANS AND DRAWINGS DESIGNED AND/OR PRODUCED. PLANS AND DRAWINGS ARE NOT TO BE REPRODUCED IN ANY FORM OR MANNER WITHOUT THE EXPRESSED WRITTEN CONSENT OF AGP.