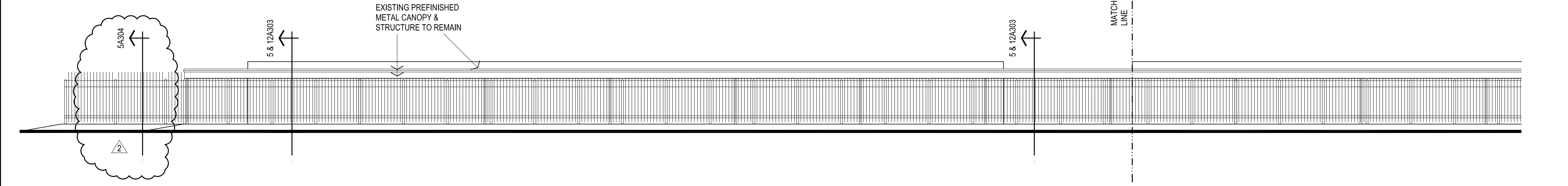
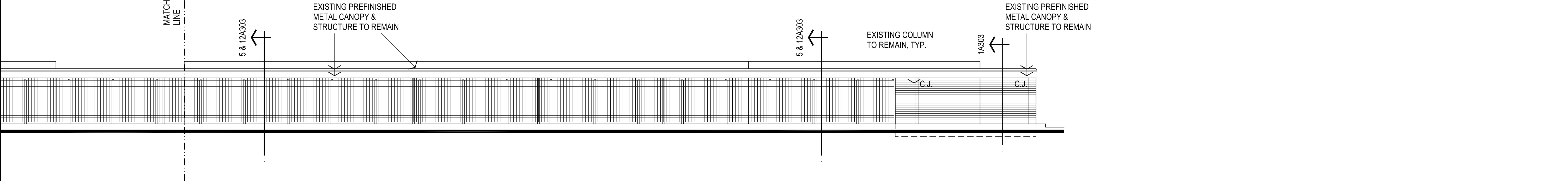


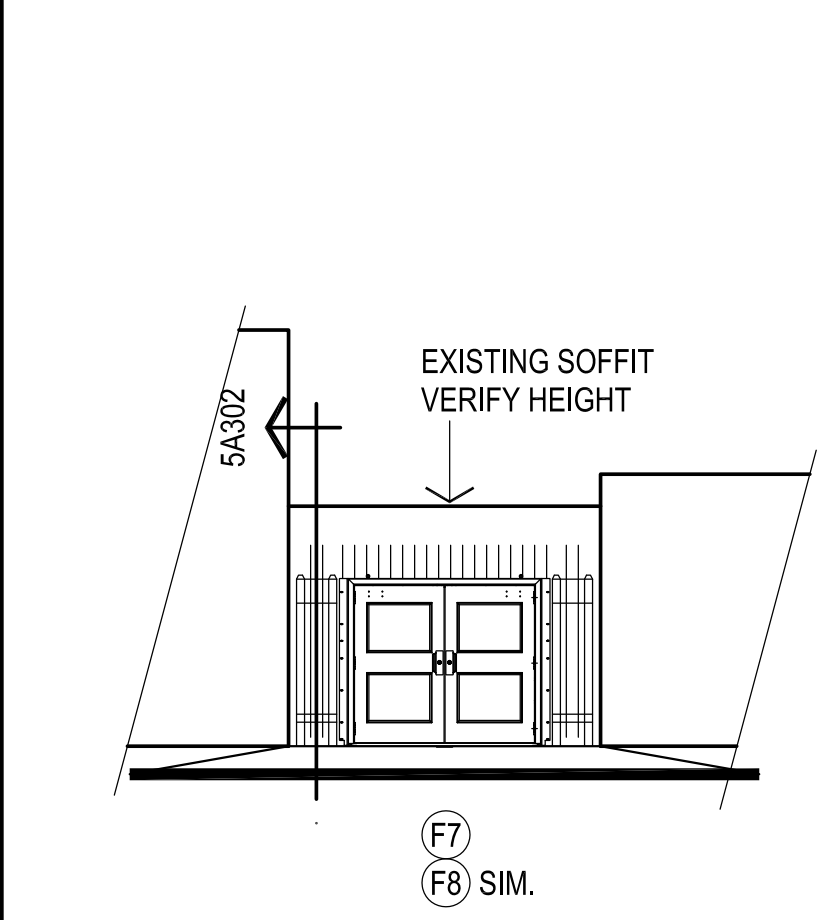
**1** WEST ELEVATION  
1/8" = 1'-0"



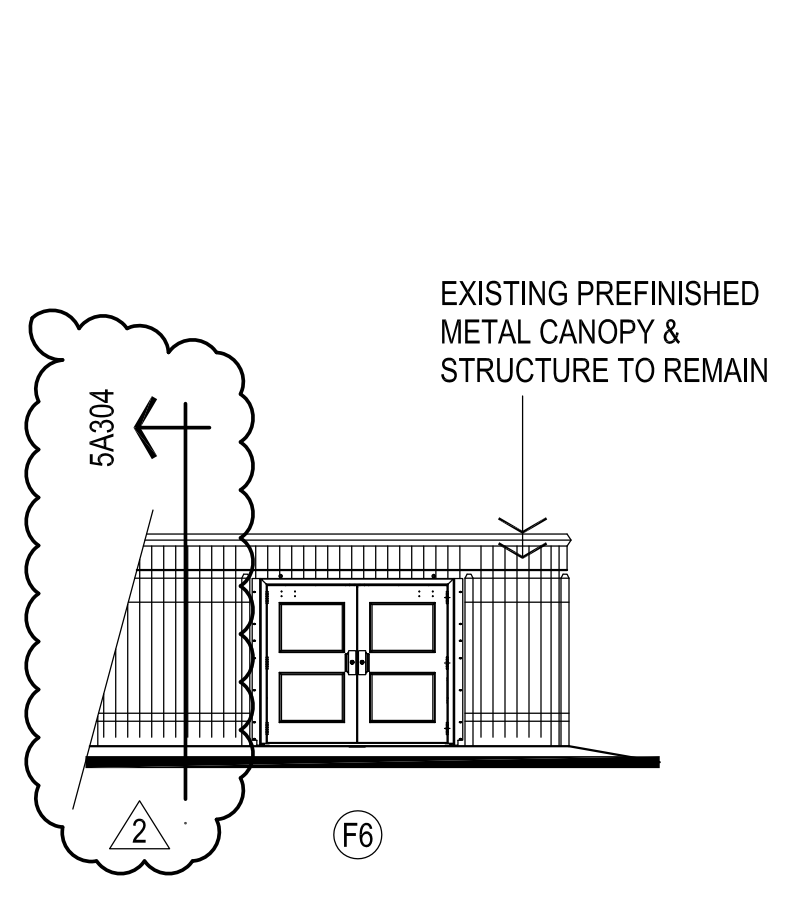
**2** NORTH ELEVATION - CONT.  
1/8" = 1'-0"



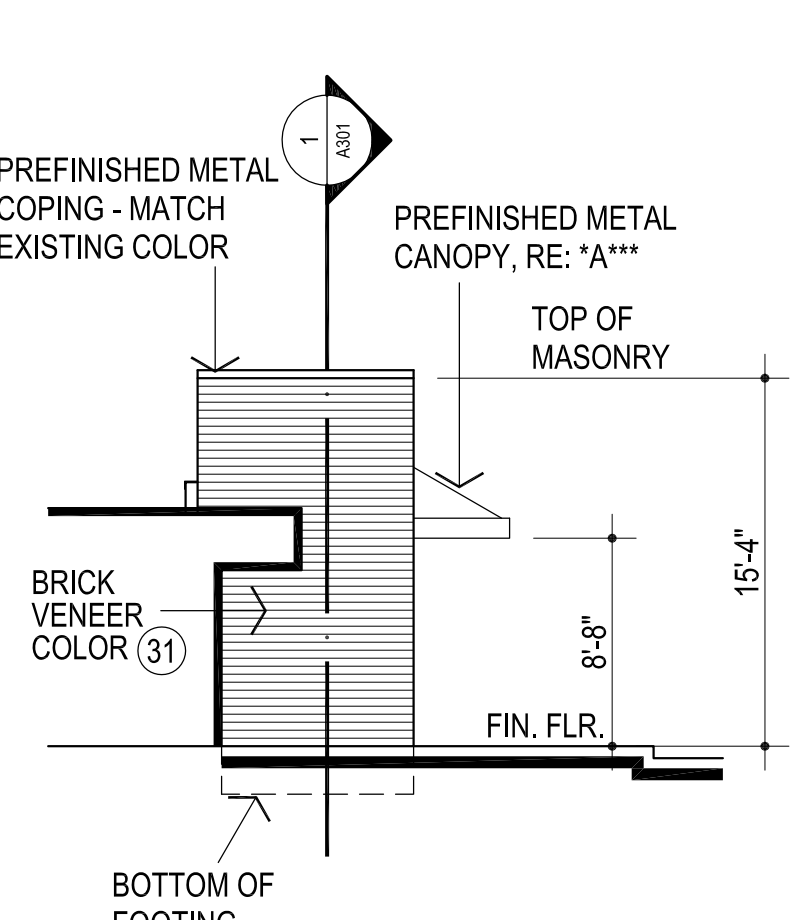
**2** NORTH ELEVATION - CONT.  
1/8" = 1'-0"



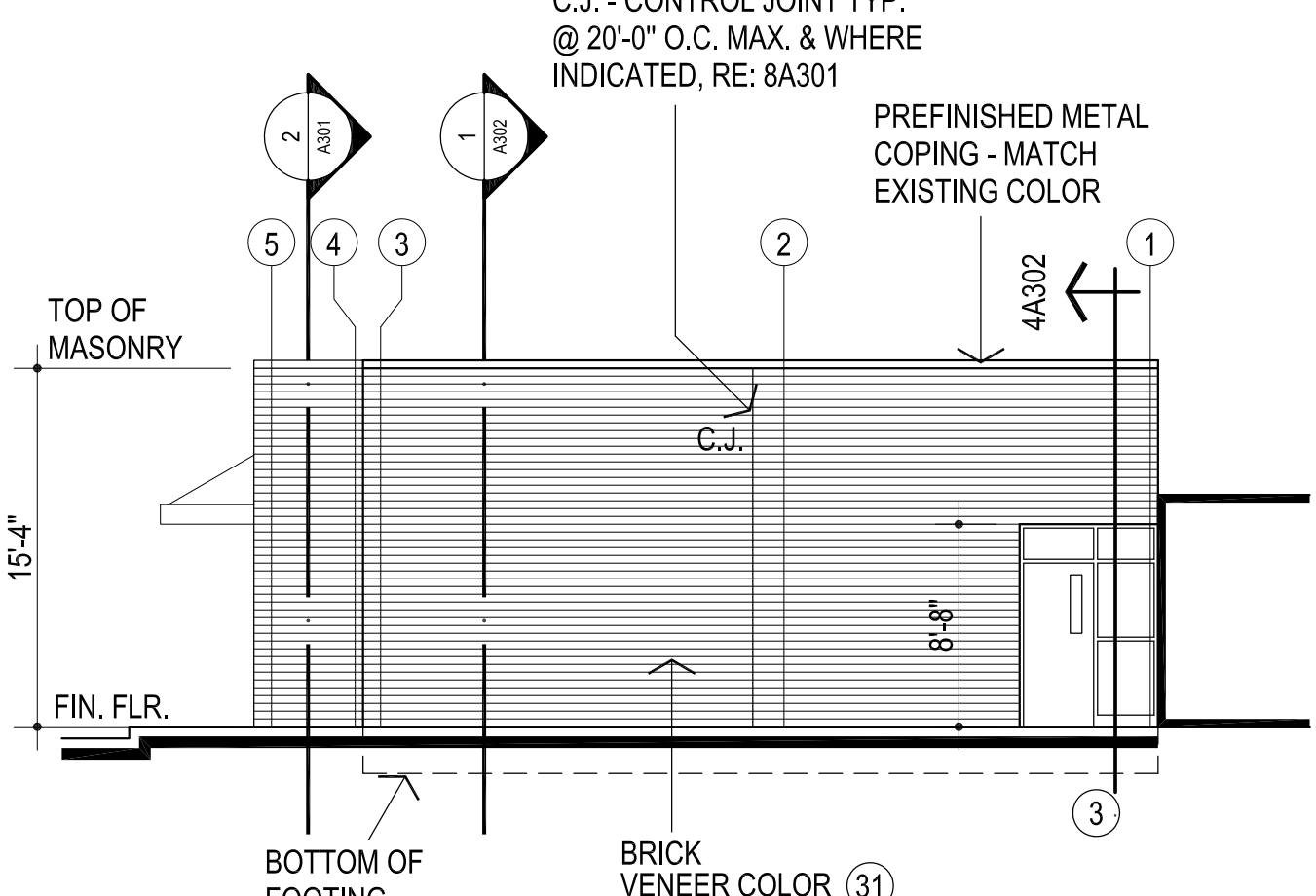
**3** TYPICAL SECURITY GATE  
1/8" = 1'-0"



**4** EAST ELEVATION  
1/8" = 1'-0"



**5** NORTH ELEVATION @ VESTIBULE  
1/8" = 1'-0"



**6** SOUTH ELEVATION @ ADDITION  
1/8" = 1'-0"

REMOVE EXISTING VENEER AS REQUIRED TO REMOVE EXISTING CANOPY BEAMS PROVIDE NEW VENEER TO FILL-IN VOID

CG	drawn by
MA	checked by
MAY 2024	date
	revisions
1	ADDENDUM #1
2	ADDENDUM #3
3	CB-8

MOORE PUBLIC SCHOOLS  
BOARD OF EDUCATION  
MOORE, OKLAHOMA



RED OAK  
ELEMENTARY SCHOOL  
SECURITY UPGRADES

sheet no:

**A201**

OWNERSHIP USE OF DOCUMENTS:  
AGP EXPRESSLY RESERVES ITS  
COPYRIGHT AND OTHER PROPERTY  
RIGHTS OF ALL PLANS AND DRAWINGS  
DESIGNED AND/OR PRODUCED. PLANS  
AND DRAWINGS ARE NOT TO BE  
REPRODUCED IN ANY FORM OR MANNER  
WITHOUT THE EXPRESSED WRITTEN  
CONSENT OF AGP.