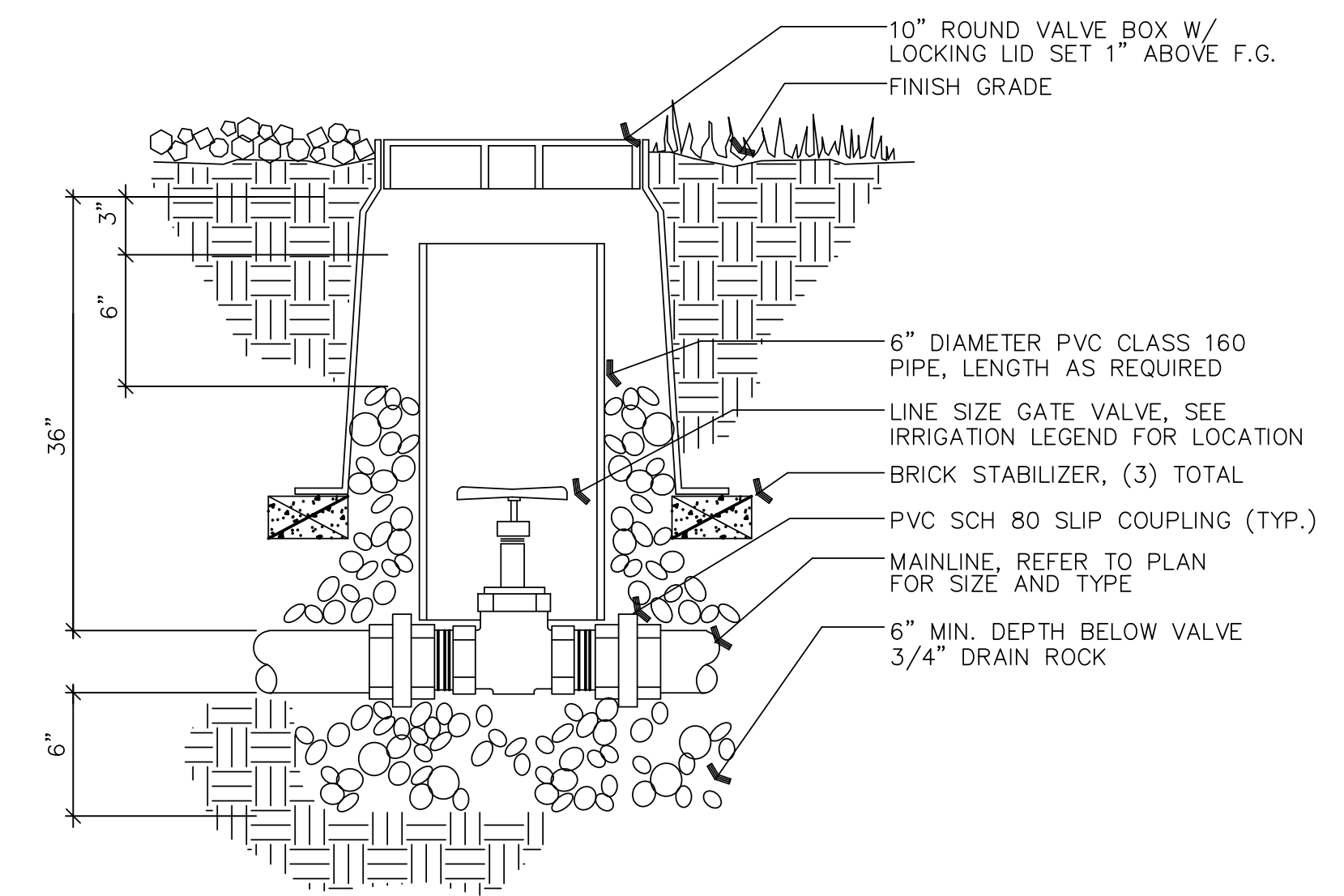
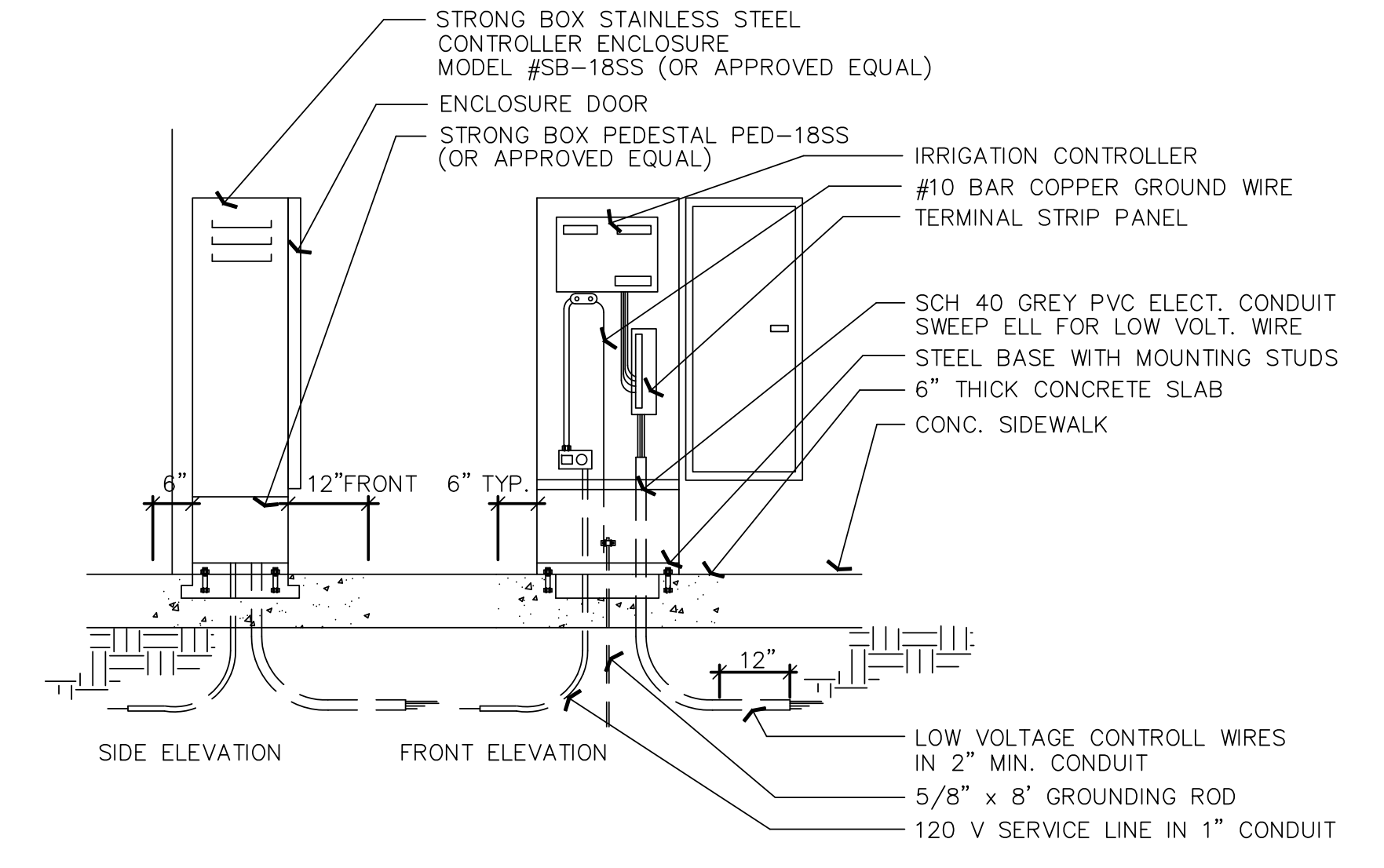


NOTES:  
1. USE TEFLON PASTE PIPE THREAD SEALANT FOR THREADED CONNECTIONS

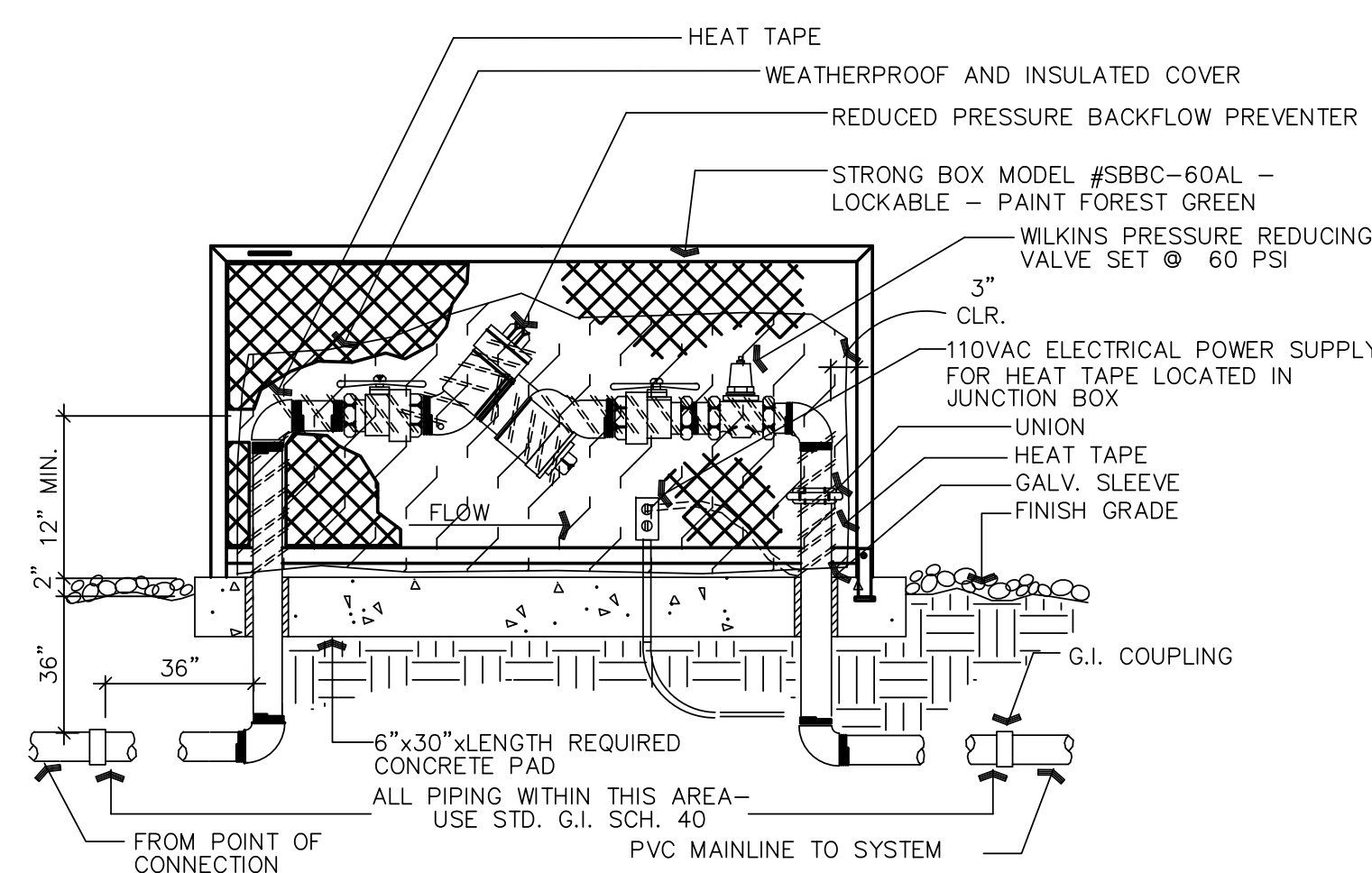
**1** QUICK COUPLING VALVE DETAIL  
NOT TO SCALE



**2** MANUAL SHUT-OFF GATE VALVE DETAIL  
NOT TO SCALE

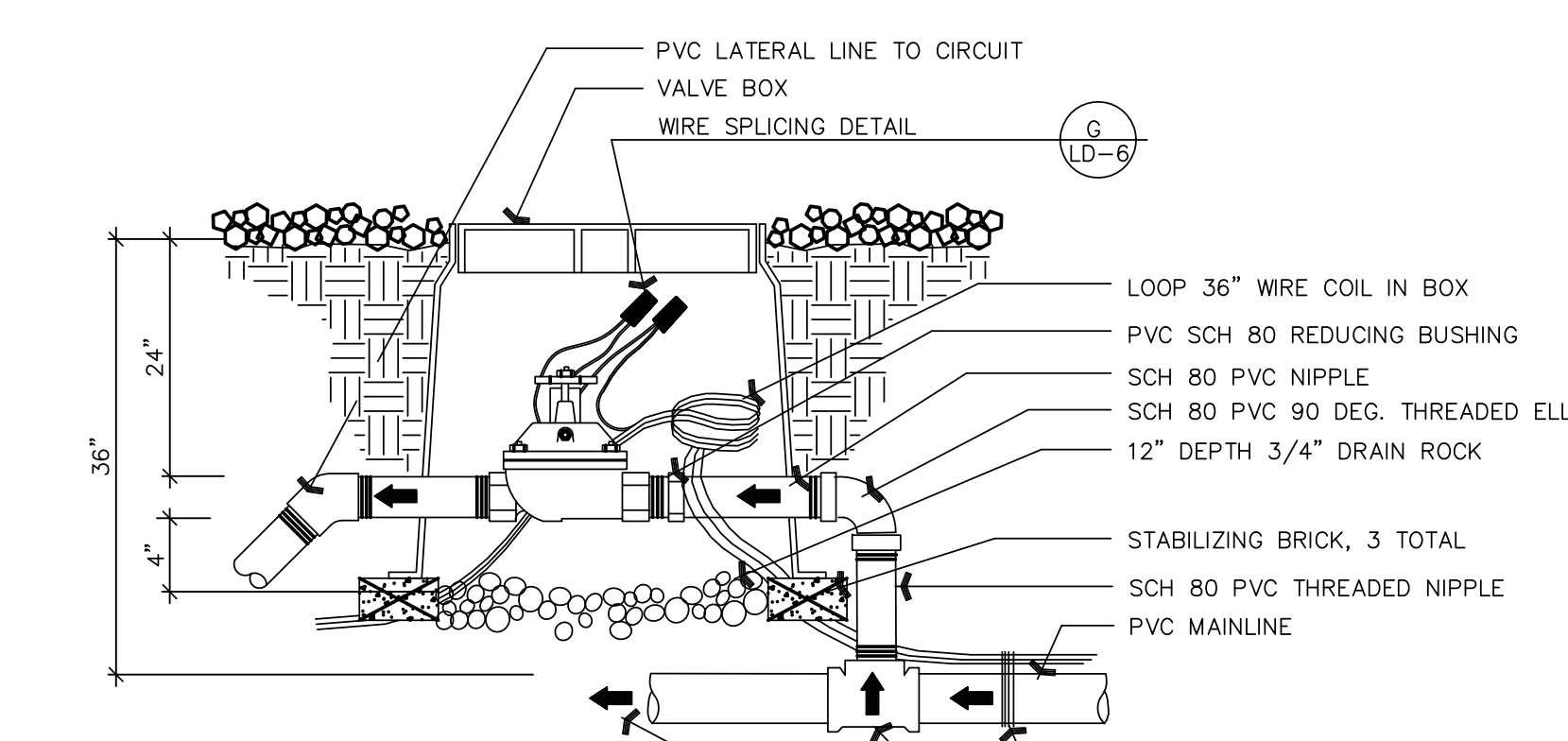


**3** CONTROLLER DETAIL  
NOT TO SCALE



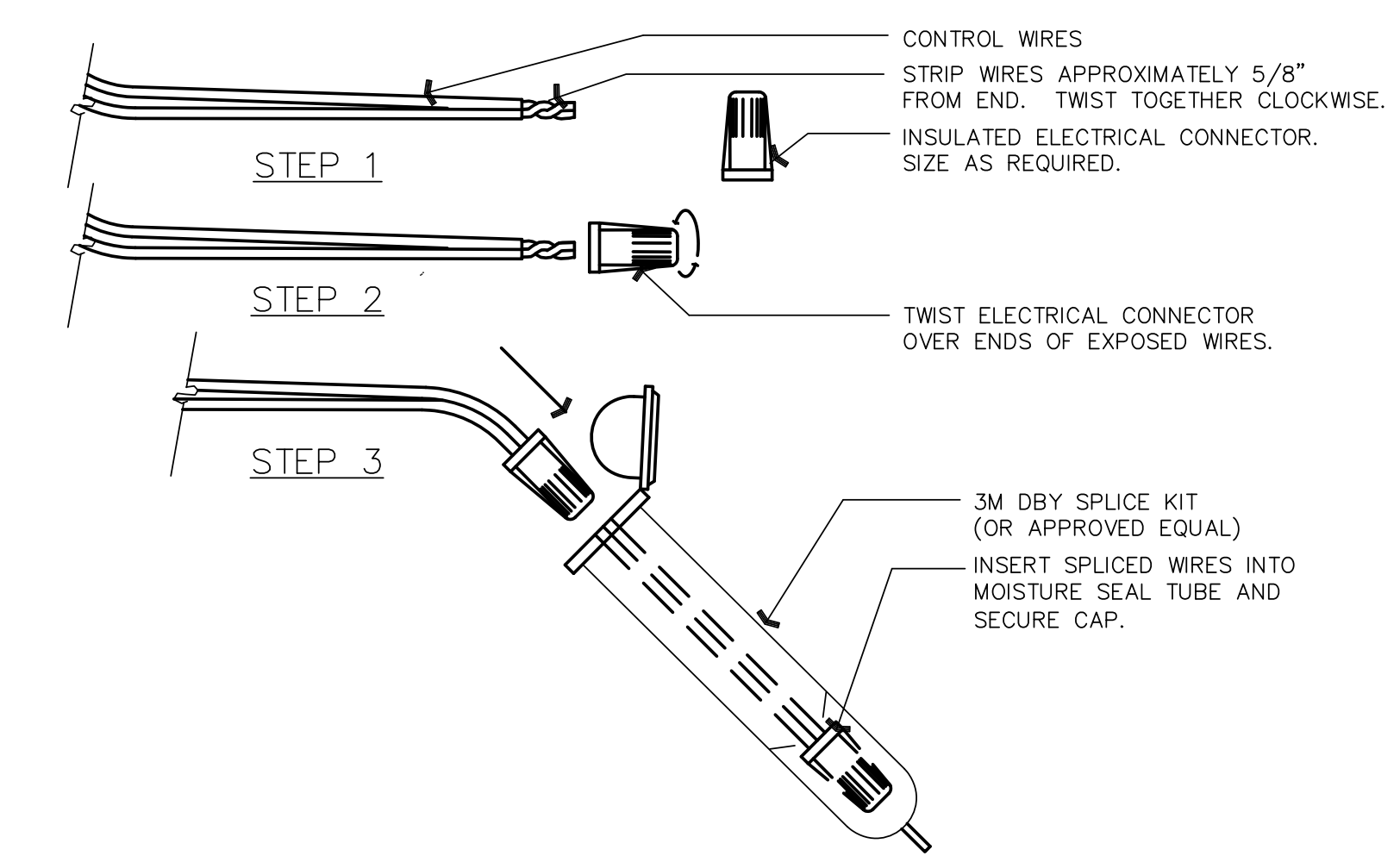
NOTES:  
1. INSTALL 18" CLEAR FROM CURB, EDGE, ETC.  
2. PAINT ALL ABOVE GRADE MATERIALS W/ 2 COATS RUSTOLEUM FLAT BLACK PAINT  
3. WRAP ALL BELOW GRADE METAL PIPE W/ .010" x 2" P.E. TAPE.  
4. USE TEFLON PASTE PIPE THREAD SEALANT FOR ALL THREADED CONNECTIONS.  
5. WRAP ELECTRIC HEAT TAPE AROUND ALL EXPOSED PIPE  
6. WRAP ENTIRE BACKFLOW PREVENTION DEVICE WITH WEATHERPROOF, INSULATED MATERIAL

**4** BACKFLOW PREVENTER DETAIL  
NOT TO SCALE

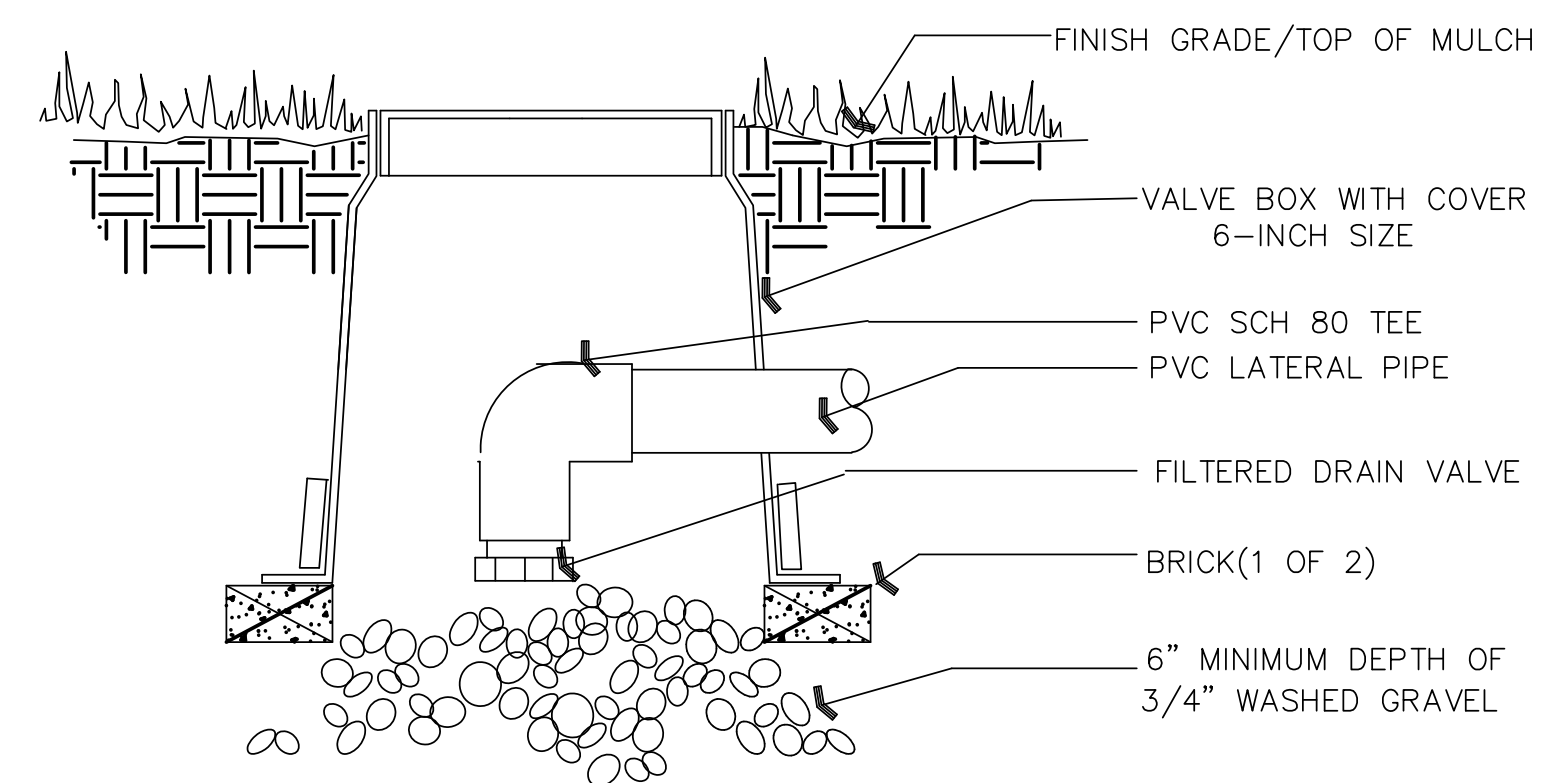


NOTES:  
1. LIMIT ONE CONTROL VALVE PER BOX.  
2. NO EARTH FILL INSIDE BOX OR TOUCHING VALVE.  
3. USE TEFLON PASTE PIPE THREAD SEALANT ON THREADED CONNECTIONS.  
4. EACH CONTROL VALVE TO HAVE MANUAL BLEED AND FLOW CONTROL.  
5. ADJUST EACH CONTROL VALVE TO OPTIMUM FLOW AS REQUIRED BY THE HEADS.

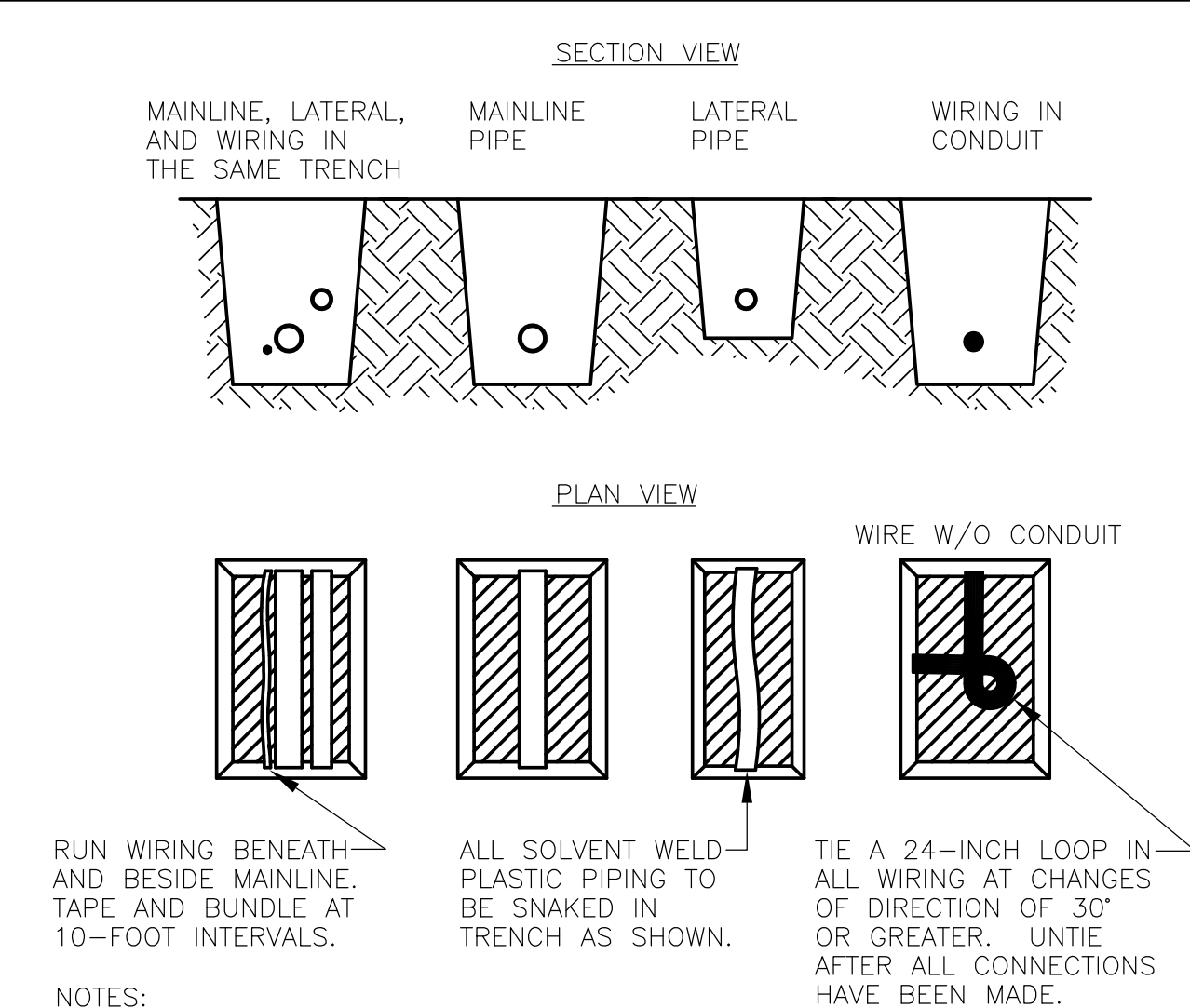
**5** ELECTRIC REMOTE CONTROLLED VALVE DETAIL  
NOT TO SCALE



**6** WIRE CONNECTION DETAIL  
NOT TO SCALE

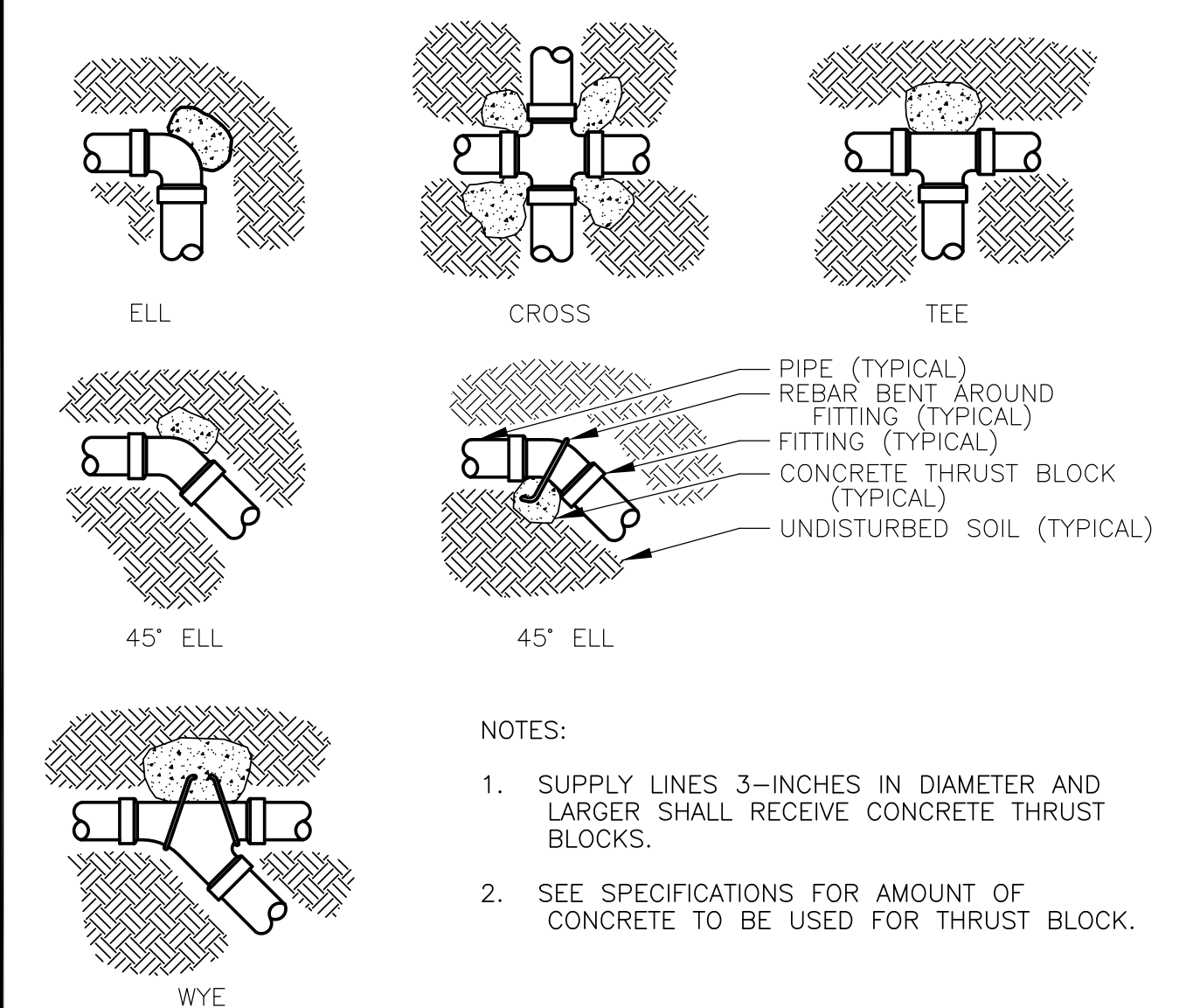


**7** DRAIN VALVE DETAIL  
NOT TO SCALE



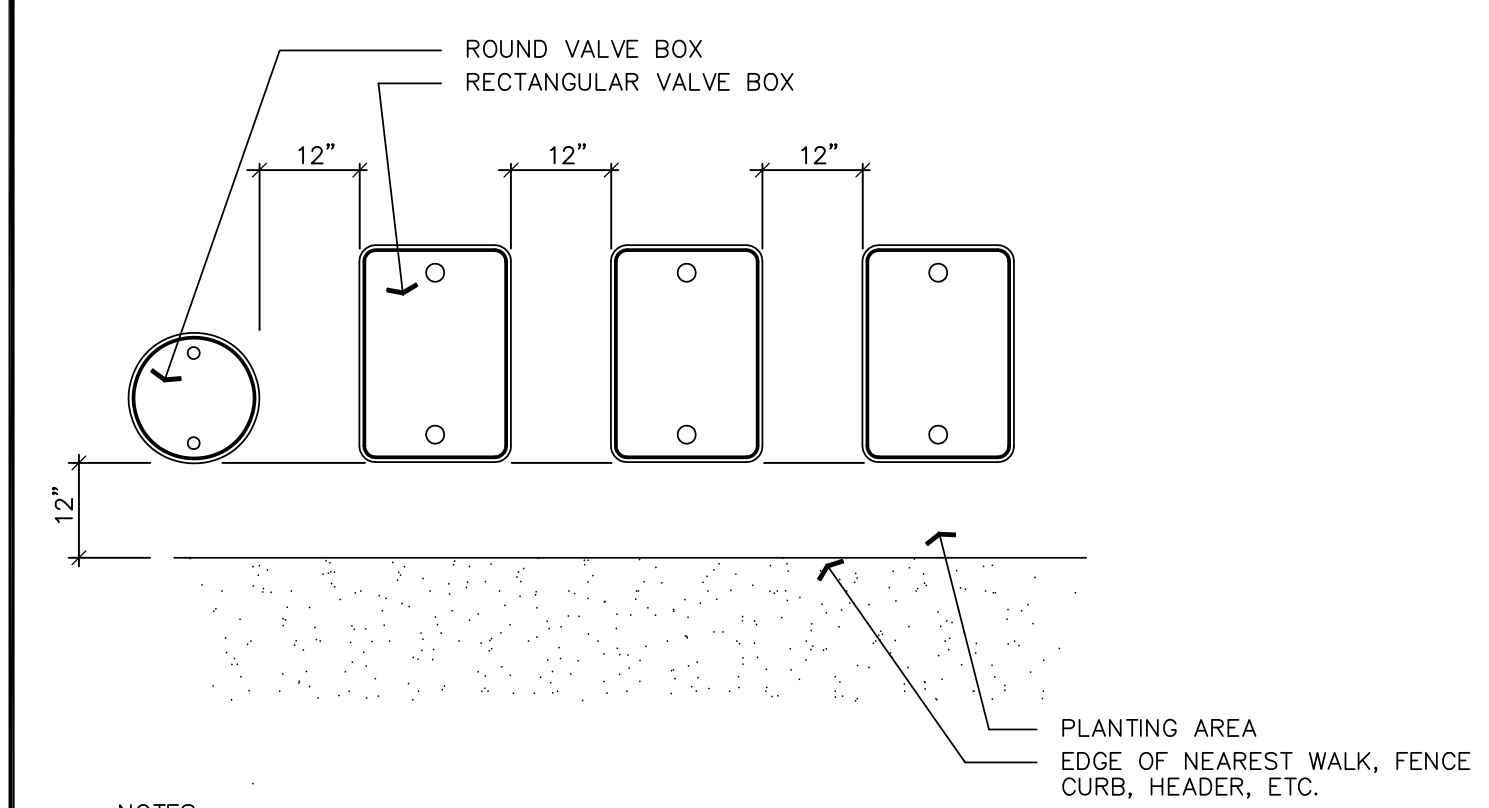
NOTES:  
1. SLEEVE BELOW ALL HARDSCAPE ELEMENTS WITH CLASS 200 PVC TWICE THE DIAMETER OF THE PIPE OR WIRE BUNDLE WITHIN.  
2. FOR PIPE AND WIRE BURIAL DEPTHS SEE SPECIFICATIONS.

**8** JOINT IRRIGATION TRENCH DETAIL  
NOT TO SCALE



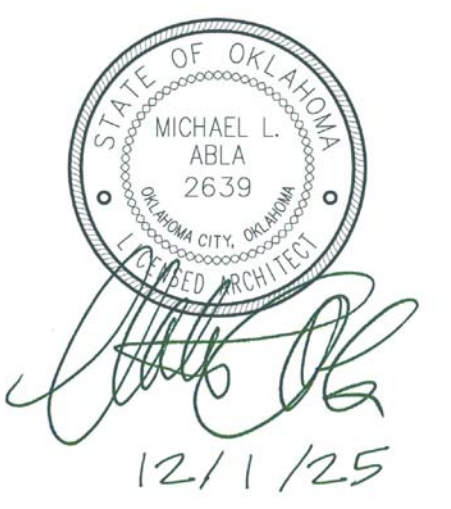
NOTES:  
1. SUPPLY LINES 3-INCHES IN DIAMETER AND LARGER SHALL RECEIVE CONCRETE THRUST BLOCKS.  
2. SEE SPECIFICATIONS FOR AMOUNT OF CONCRETE TO BE USED FOR THRUST BLOCK.

**9** THRUST BLOCK DETAIL  
NOT TO SCALE



NOTES:  
1. SET BOXES PARALLEL AND PERPENDICULAR TO NEAREST EDGE AND EACH OTHER.  
2. CENTER BOXES OVER ENCLOSED VALVES.  
3. AVOID HEAVILY COMPACTING SOIL AROUND BOXES TO PREVENT DAMAGING BOX.

**10** VALVE BOX LAYOUT DETAIL  
NOT TO SCALE



CG	drawn by
MA	checked by
NOVEMBER 2025	date
	revisions