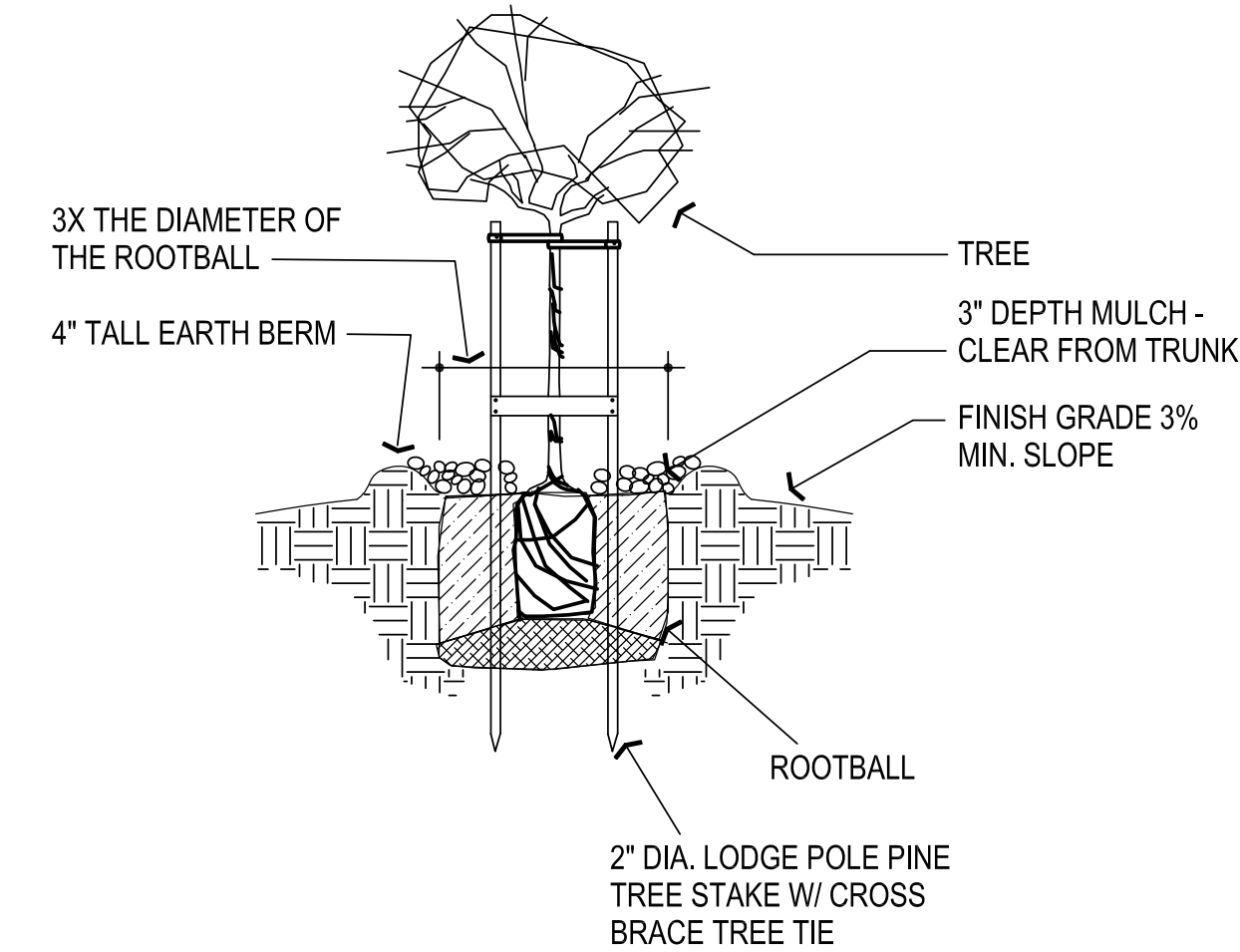
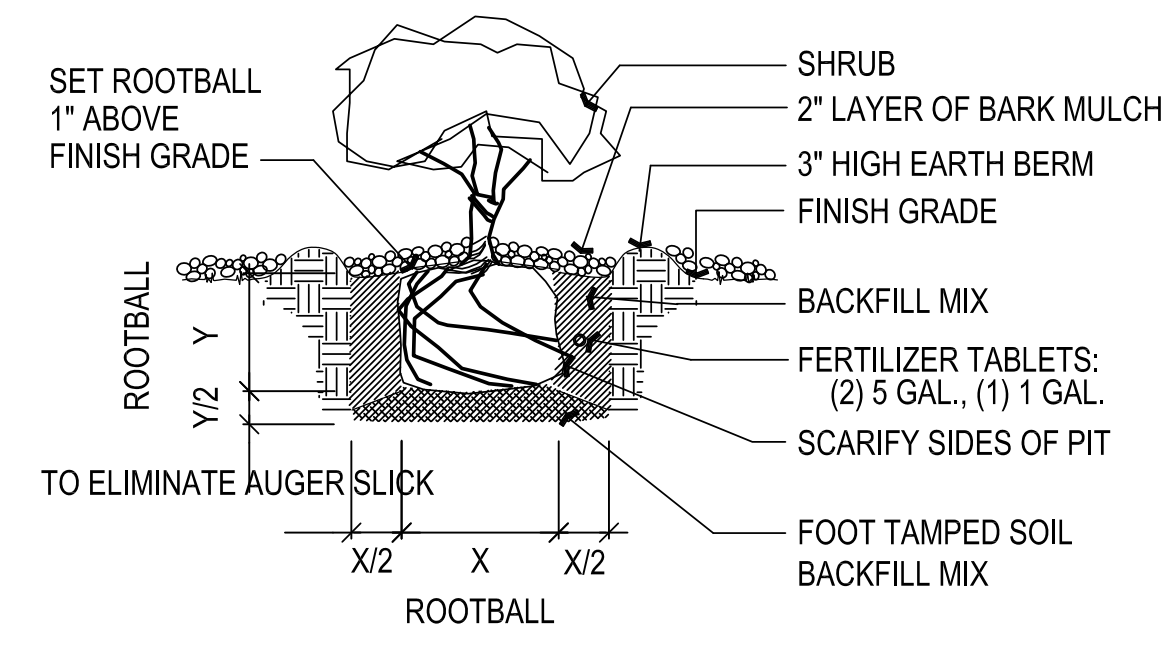


**1** LANDSCAPE PLAN  
1" = 20'-0"



**3** TREE PLANTING DETAIL  
NOT TO SCALE



**5** SHRUB PLANTING DETAIL  
NOT TO SCALE

**LANDSCAPING NOTES:** (CALCULATION FORM AVAILABLE UPON WRITTEN REQUEST FROM AHJ)

51,780 S.F. TOTAL OF LOT  
5,178 S.F. OPEN SPACE REQUIRED

7 TREES REQUIRED  
10 PROVIDED

14 SHRUBS REQUIRED  
18 PROVIDED

PROVIDE BERMUDA TURF SOD @ ALL EXPOSED DIRT AREAS AFTER PLANTING OF TREES & SHRUBS & CONSTRUCTION OF NEW BUILDING

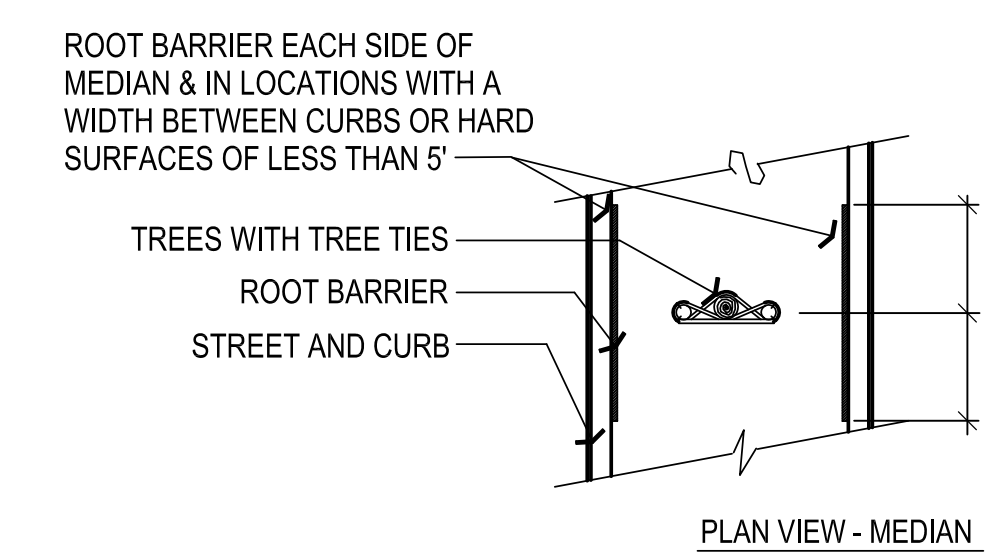
ADDITIONAL TREES & SHRUBS AS PER 12-454 F.1.  
3 TREE & 2 SHRUBS

**2** LANDSCAPE MATERIAL SCHEDULE

SYM.	QTY.	BOTANICAL NAME	COMMON NAME	SIZE	COND.	SPCG.	ROOT BALL SIZE	TREE PIT SIZE	NOTES
TREES									
SO	10	QUERCUS SHUMARDII	SHUMARD OAK	3" CAL.	BB/C	AS	24"-26"	32" - 38"	UNIFORM BRANCHING HABITS.
SHRUBS									
CM	18	LAGERSTROEMIA INDICA	CRAPE MYRTLE	8' HT., MT.	BB/C	AS	24"-26"	32" - 38"	3 TRUNK MINIMUM - 1.5" TO 2" CAL.
GROUND COVERS									
BG	-	BERMUDA SOD							

AS = AS SHOWN, BB = BALLED AND BURLAPPED, C = CONTAINER, CAL. = CALIPER, GAL. = GALLON, HT = HEIGHT, MT = MULTI-TRUNK, N.A. = NOT APPLICABLE, O.C. = ON CENTER, S.F. = SQUARE FEET

**2** LANDSCAPE MATERIAL SCHEDULE



**4** TREE PLANTING DETAIL  
NOT TO SCALE

- PLANTING SHEET NOTES:**
- NO CHANGES SHALL BE MADE TO THE PLANT MATERIAL LIST WITHOUT WRITTEN APPROVAL OF THE ARCHITECT.
  - ALL WORK SHALL BE PERFORMED BY LICENSED LANDSCAPE CONTRACTORS AND EXPERIENCED WORKERS.
  - LANDSCAPE CONTRACTOR SHALL NOTIFY THE ARCHITECT 24 HOURS BEFORE CONSTRUCTION COMMENCES. ANY DISCREPANCIES BETWEEN THE PLAN AND FIELD CONDITIONS SHALL BE BROUGHT TO THE ARCHITECT ATTENTION IMMEDIATELY.
  - THE CONTRACTOR SHALL BE RESPONSIBLE FOR FINE GRADING ALL PLANTED AREAS AND TO ENSURE POSITIVE DRAINAGE AWAY FROM BUILDINGS, REFER CIVIL.
  - ALL AMENDMENTS SHALL BE THOROUGHLY INCORPORATED INTO THE PLANTING AREAS. PLANTING AREAS SHALL BE RAKED CLEAN OF ALL DEBRIS, ROCKS, STICKS, AND ROOTS GREATER THAN 1" DIA.
  - LOCATIONS FOR ALL PLANT MATERIAL SHALL BE APPROVED BY THE ARCHITECT AT THE SITE PRIOR TO PLANTING.
  - PLANT CROWNS SHALL BE 1-1/2" ABOVE FINISH GRADE AND PLUMB AFTER WATERING AND SETTLING.
  - ALL TREES SHALL BE PLANTED AS PER PLANTING DETAILS.
  - LOCATIONS FOR ALL PLANT MATERIAL SHALL BE APPROVED BY THE ARCHITECT AT THE SITE PRIOR TO PLANTING.
  - WATER PLANTS AFTER PLANTING AND WASH ALL FERTILIZER FROM LEAVES.
  - CONTRACTOR SHALL LOCATE AND MARK ALL UTILITIES PRIOR TO CONSTRUCTION AND SHALL AVOID ANY DISTURBANCE TO UTILITIES.



CG  
drawn by  
MA  
checked by  
NOVEMBER 2025  
date  
revisions



OLD SCHOOL  
REPLACEMENT

sheet no:

**L100**  
LANDSCAPE PLAN

OWNERSHIP USE OF DOCUMENTS:  
AGP EXPRESSLY RESERVES ITS COPYRIGHT AND OTHER PROPERTY RIGHTS OF ALL PLANS AND DRAWINGS DESIGNED AND/OR PRODUCED. PLANS AND DRAWINGS ARE NOT TO BE REPRODUCED IN ANY FORM OR MANNER WITHOUT THE EXPRESSED WRITTEN CONSENT OF AGP.