



CG

drawn by

MA

checked by

NOVEMBER 2025

date

revisions

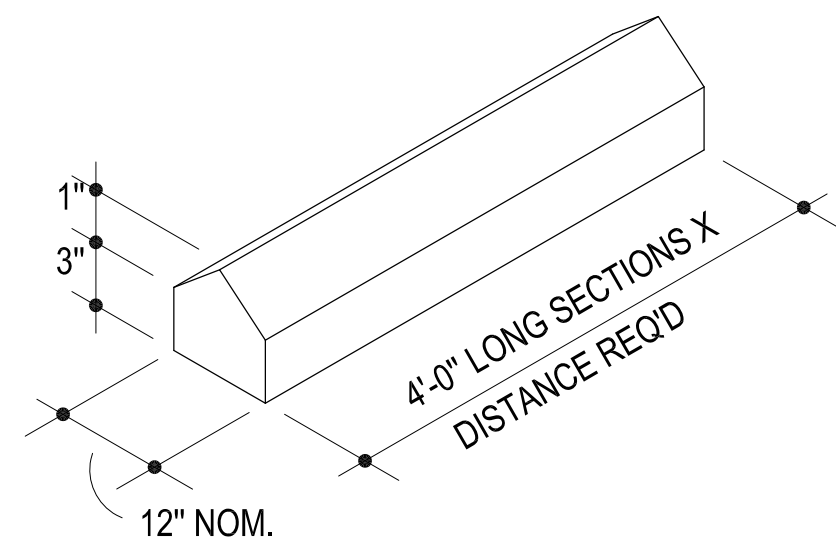


OLD SCHOOL
REPLACEMENT

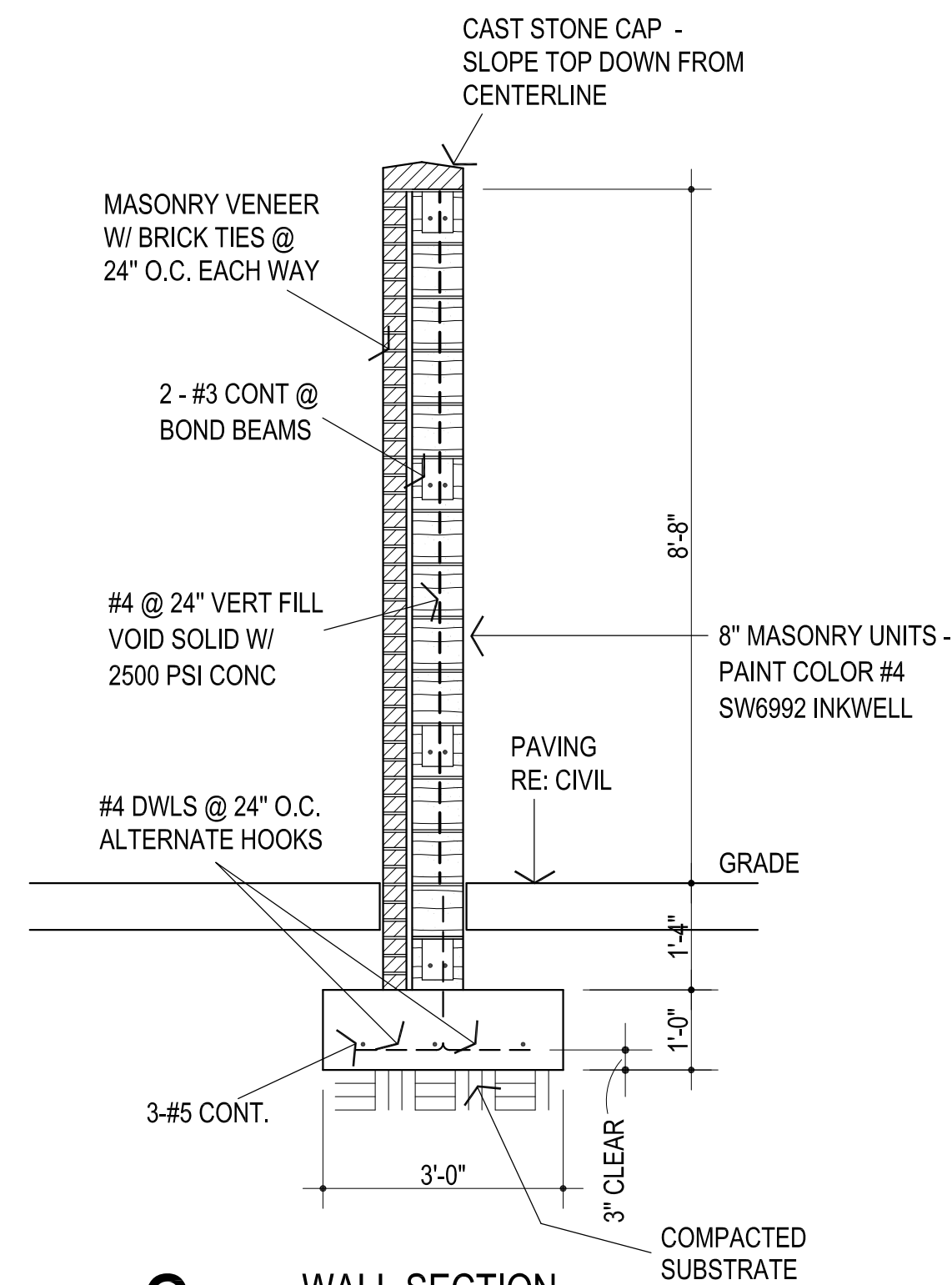
sheet no:

C901

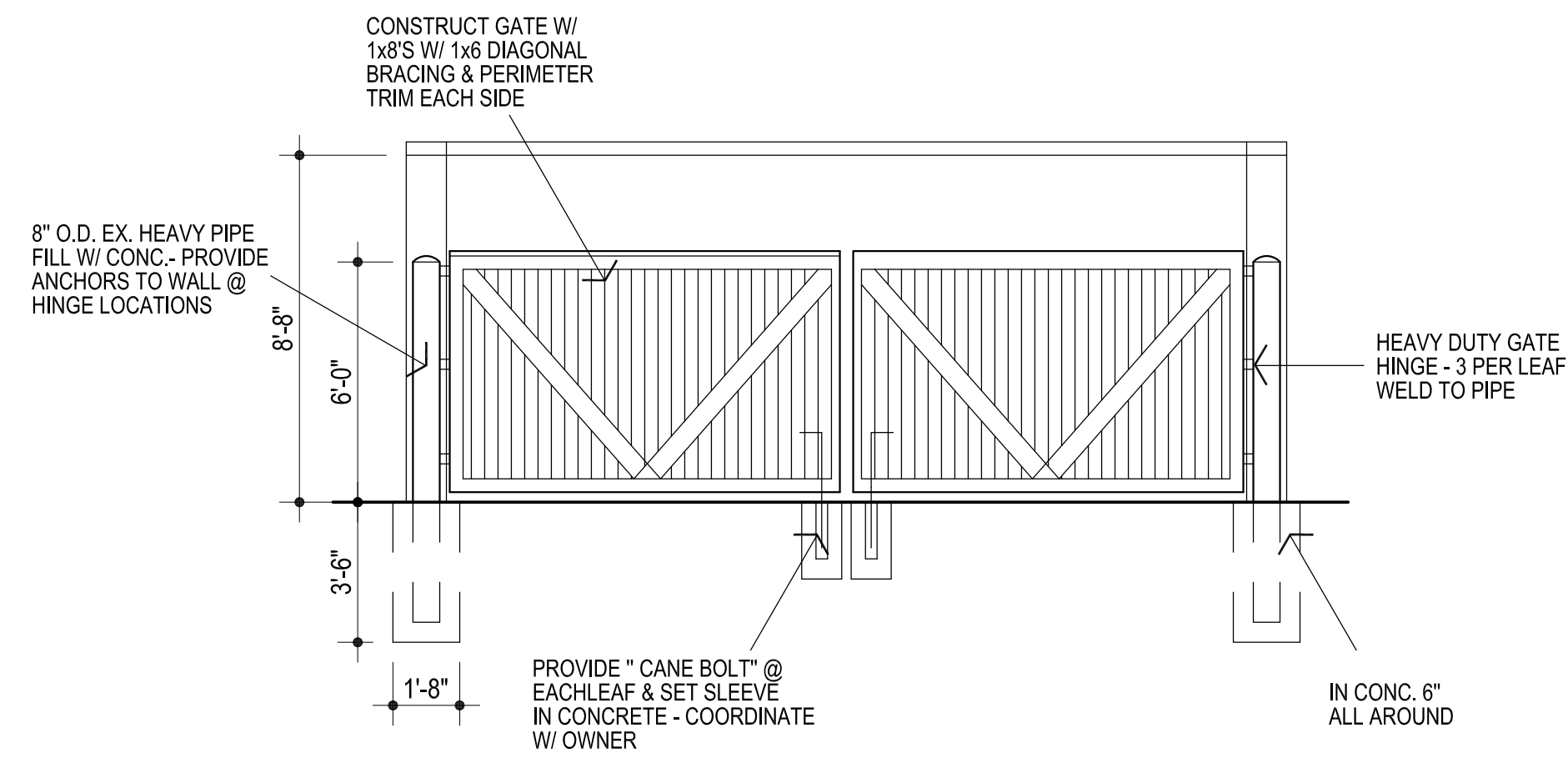
OWNERSHIP USE OF DOCUMENTS:
AGP EXPRESSLY RESERVES ITS
COPYRIGHT AND OTHER PROPERTY
RIGHTS OF ALL PLANS AND DRAWINGS
DESIGNED AND/OR PRODUCED. PLANS
AND DRAWINGS ARE NOT TO BE
REPRODUCED IN ANY FORM OR MANNER
WITHOUT THE EXPRESSED WRITTEN
CONSENT OF AGP.



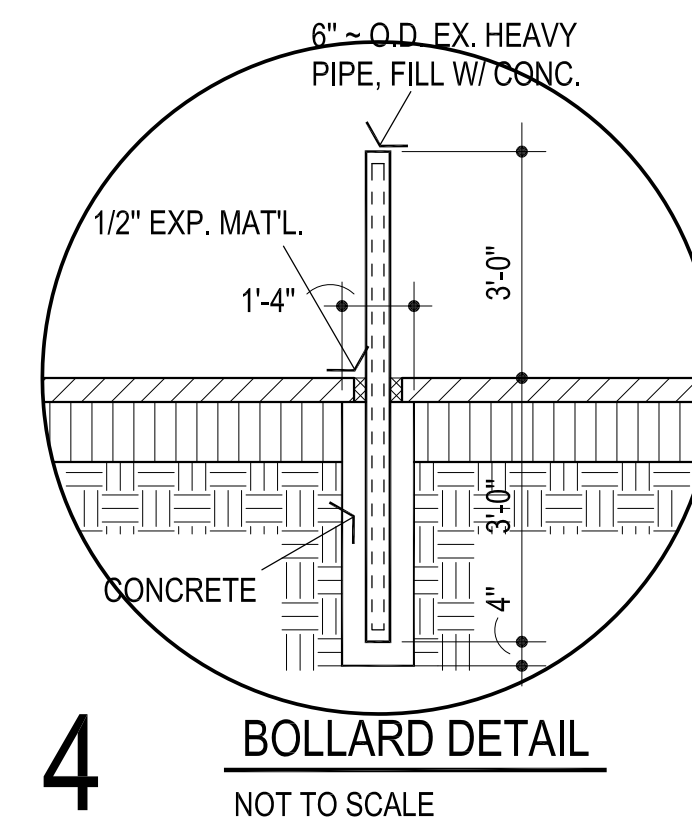
5 CAST STONE



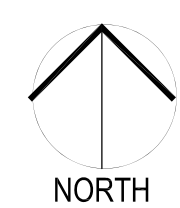
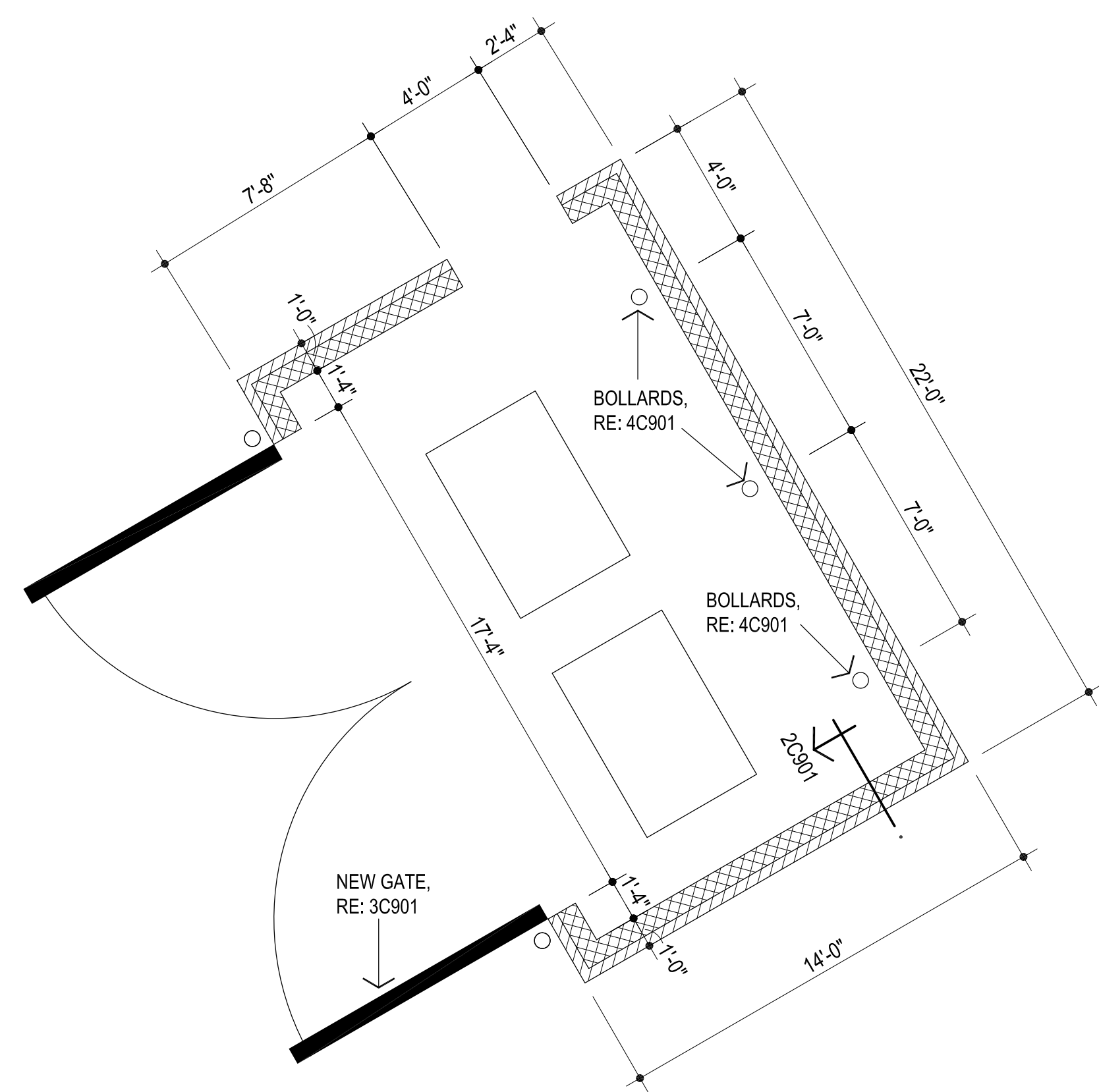
2 WALL SECTION
1/2" = 1'-0"



3 GATE ELEVATION
1/4" = 1'-0"



4 BOLLARD DETAIL
NOT TO SCALE



1 TRASH CONTAINER PLAN
1/4" = 1'-0"