



CG	drawn by
MA	checked by
NOVEMBER 2025	date
	revisions



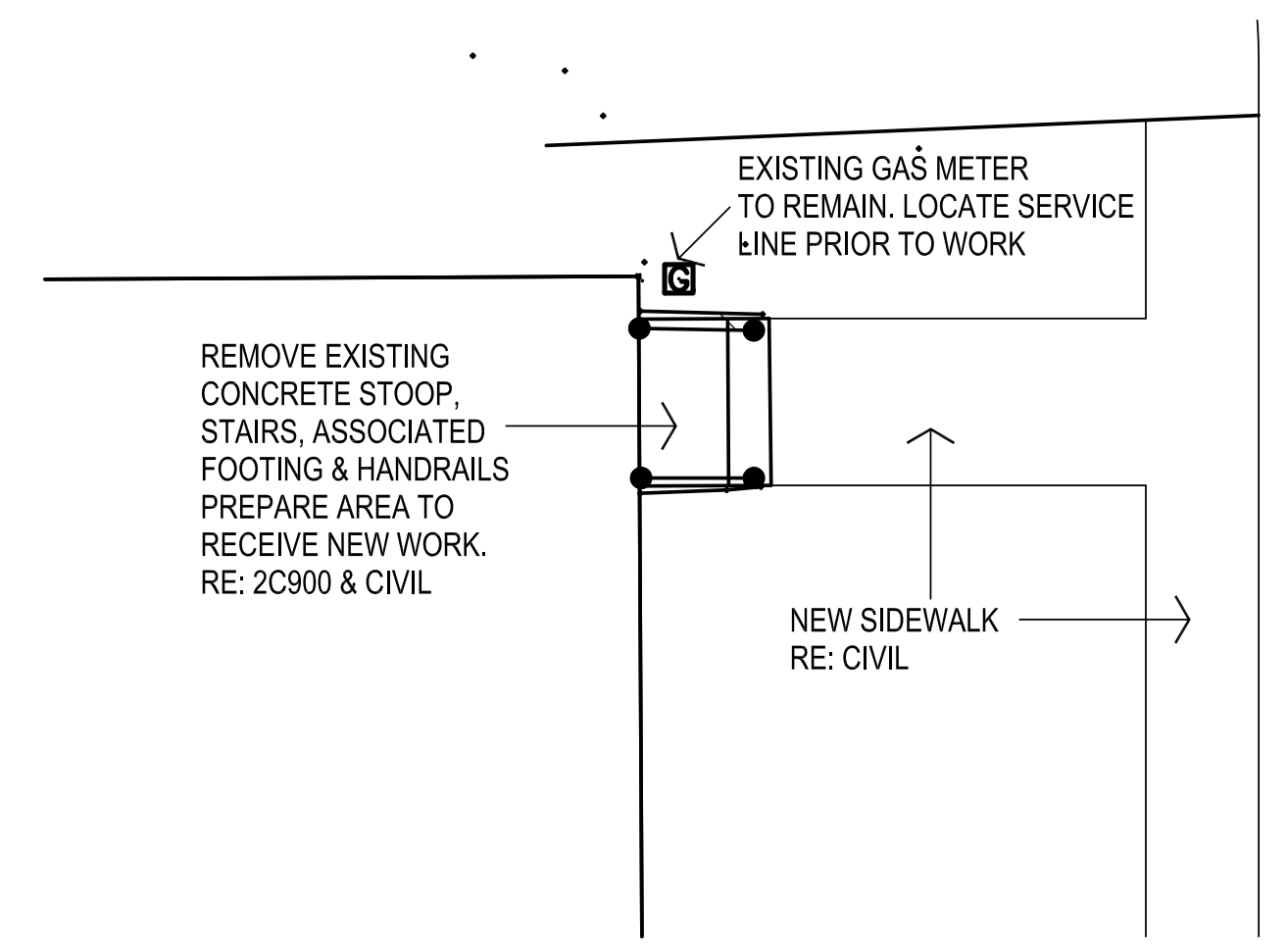
OLD SCHOOL REPLACEMENT

sheet no:

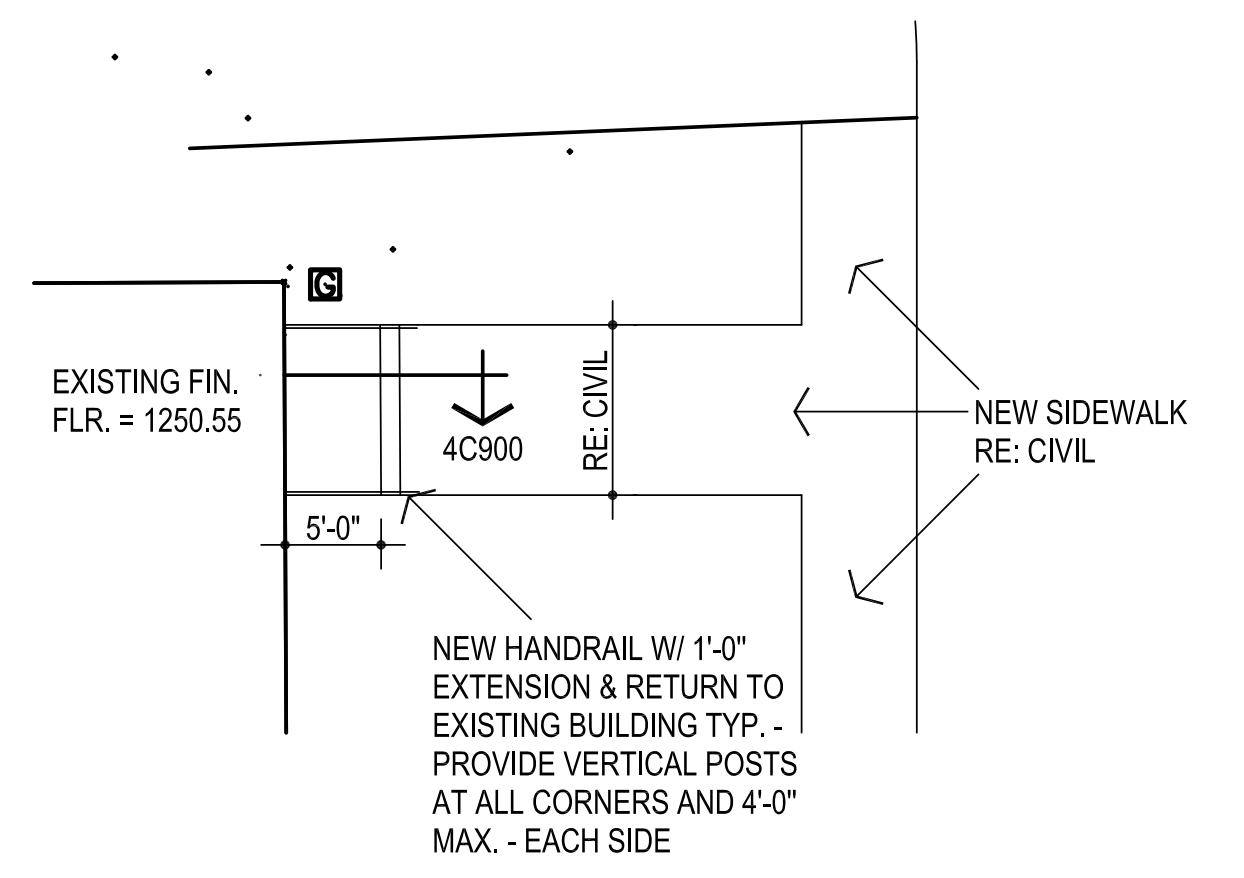
## C900

STAIR / SIDEWALK PLAN

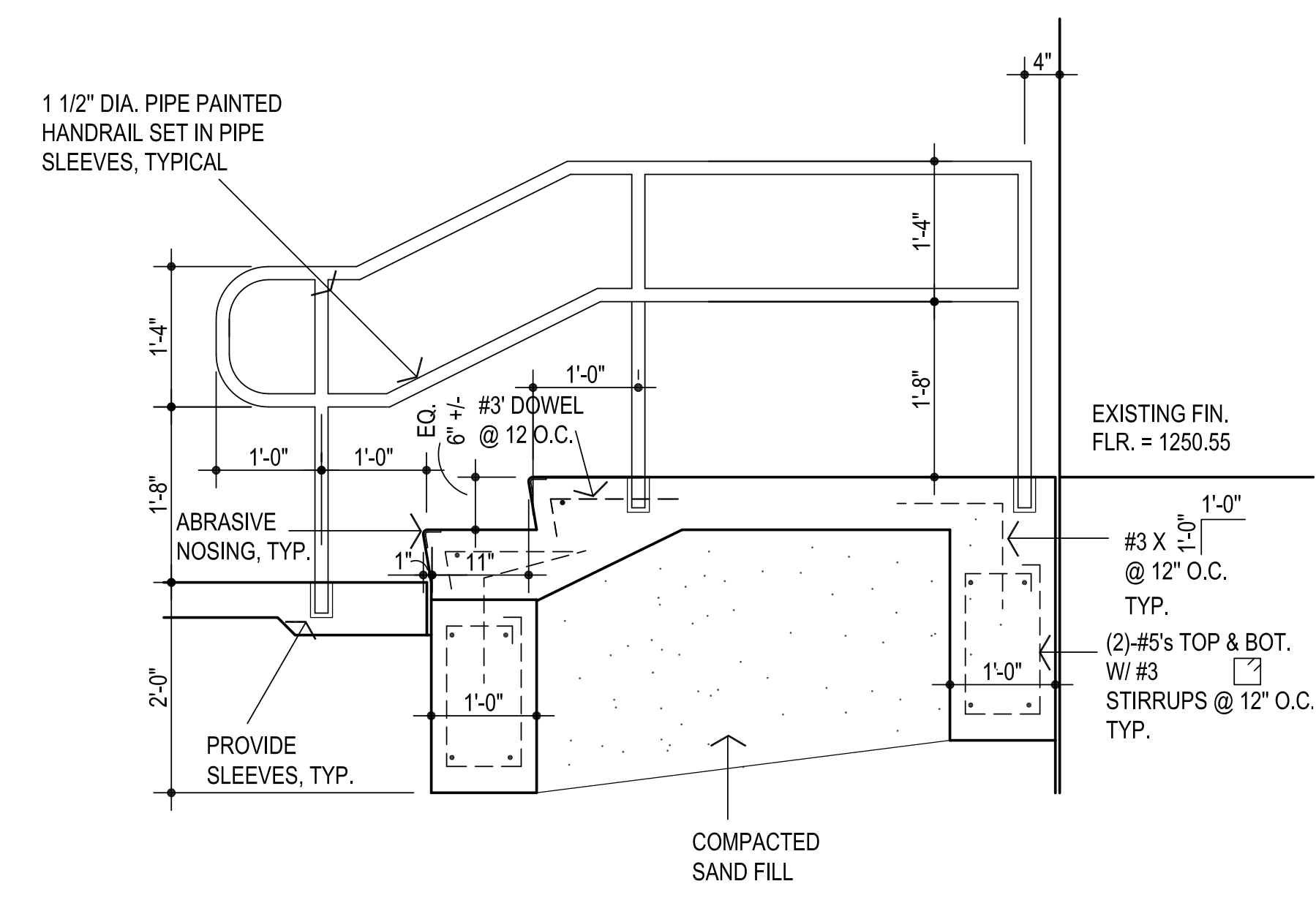
AGP EXPRESSLY RESERVES ITS COPYRIGHT AND OTHER PROPERTY RIGHTS OF ALL PLANS AND DRAWINGS DESIGNED AND/OR PRODUCED. PLANS AND DRAWINGS ARE NOT TO BE REPRODUCED IN ANY FORM OR MANNER WITHOUT THE EXPRESSED WRITTEN CONSENT OF AGP.



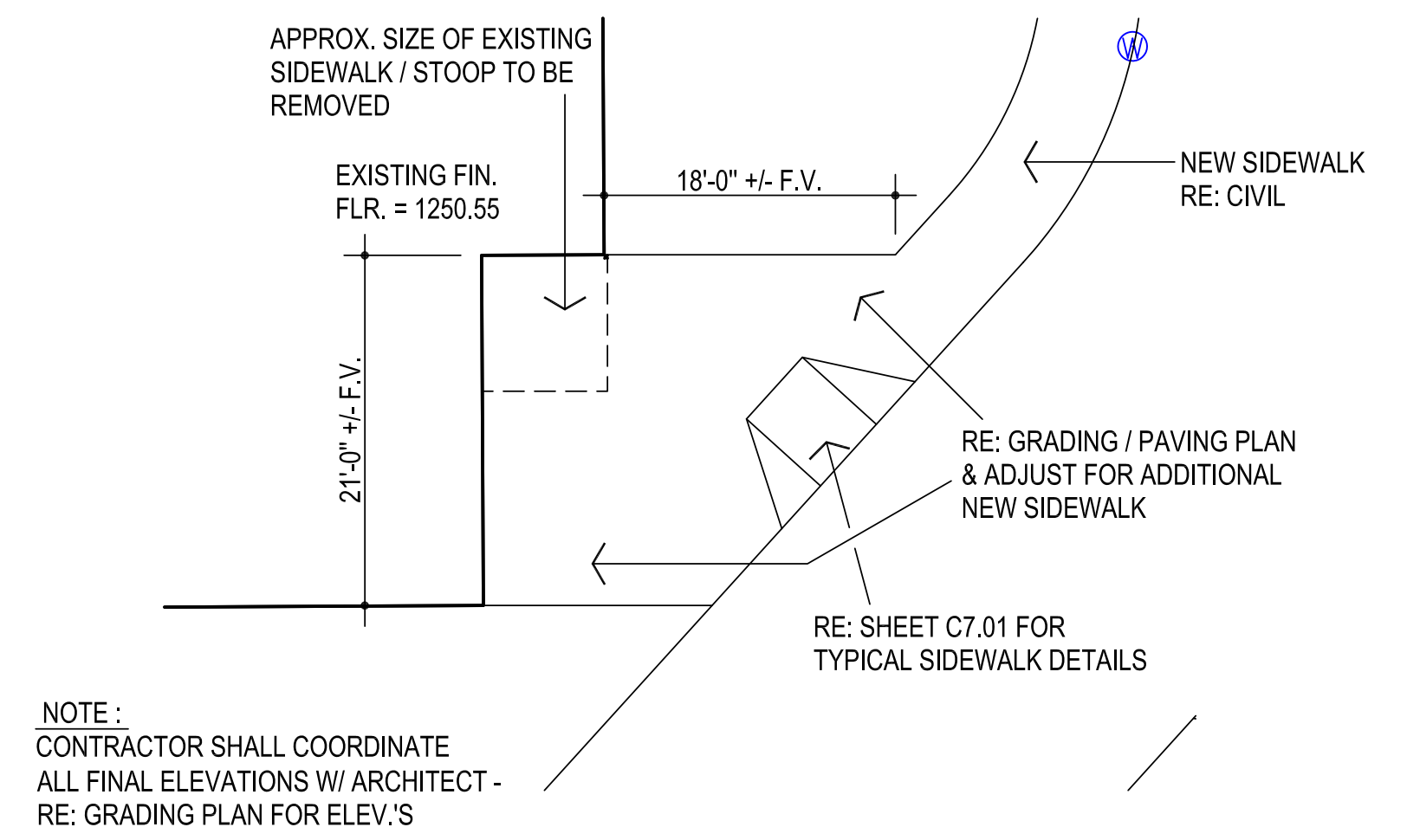
**1** EXISTING GYM NORTH ENTRY DEMOLITION PLAN - EXISTING STOOP  
1" = 10'-0"



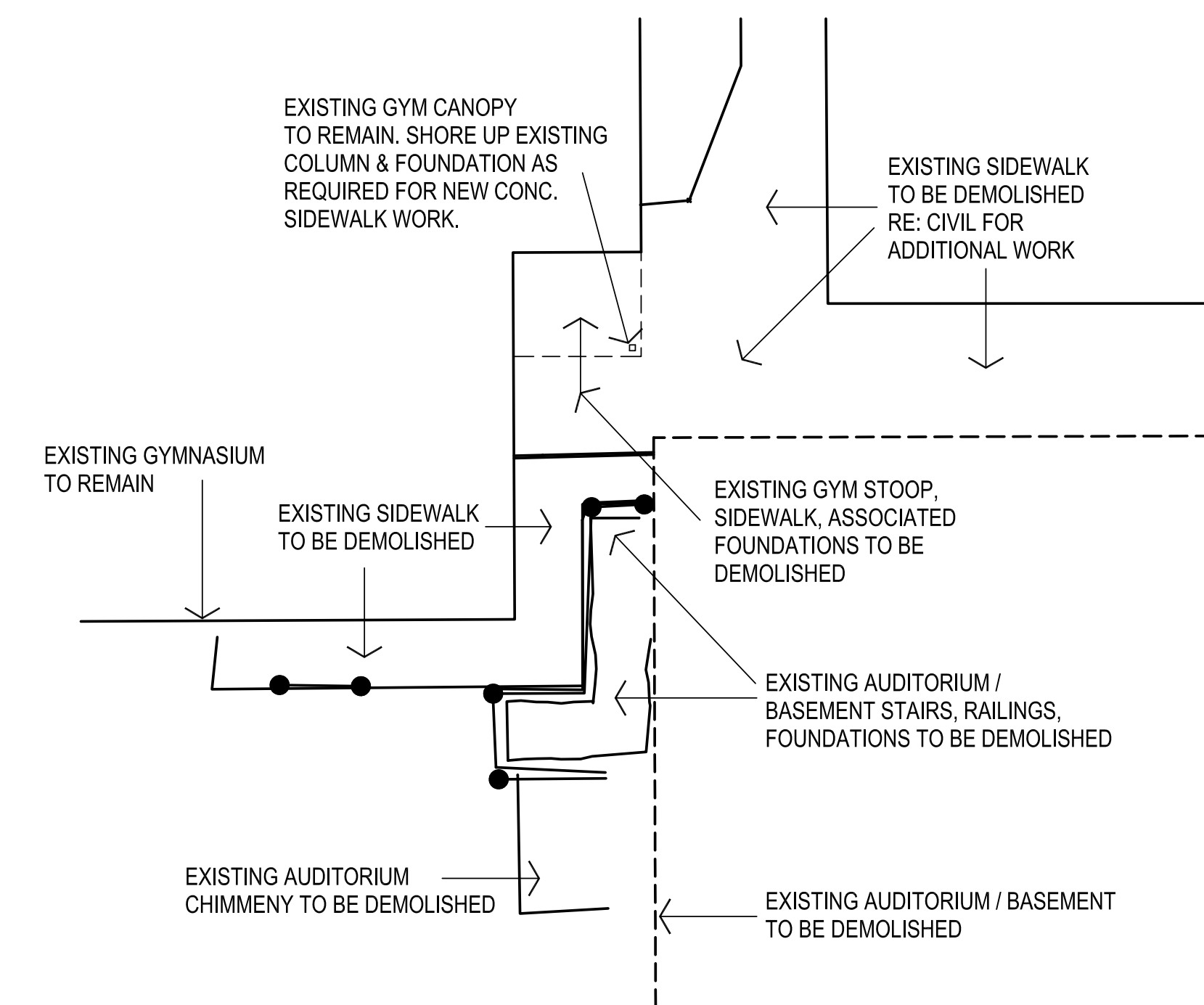
**2** NEW STAIRS  
1" = 10'-0"



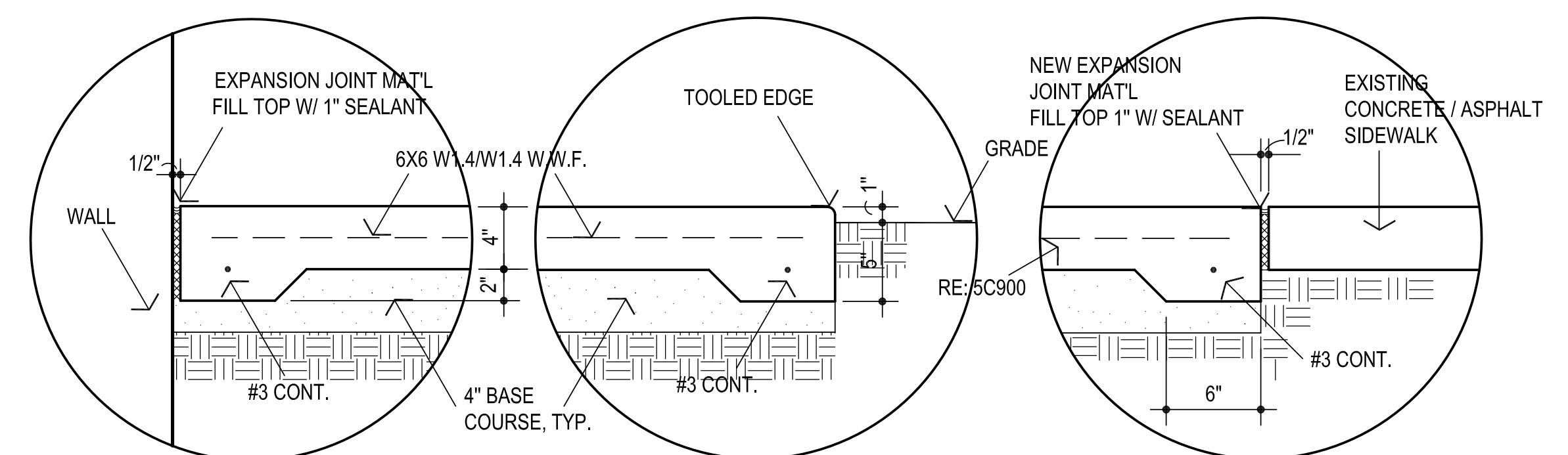
**4** STEP SECTION  
3/4" = 1'-0"



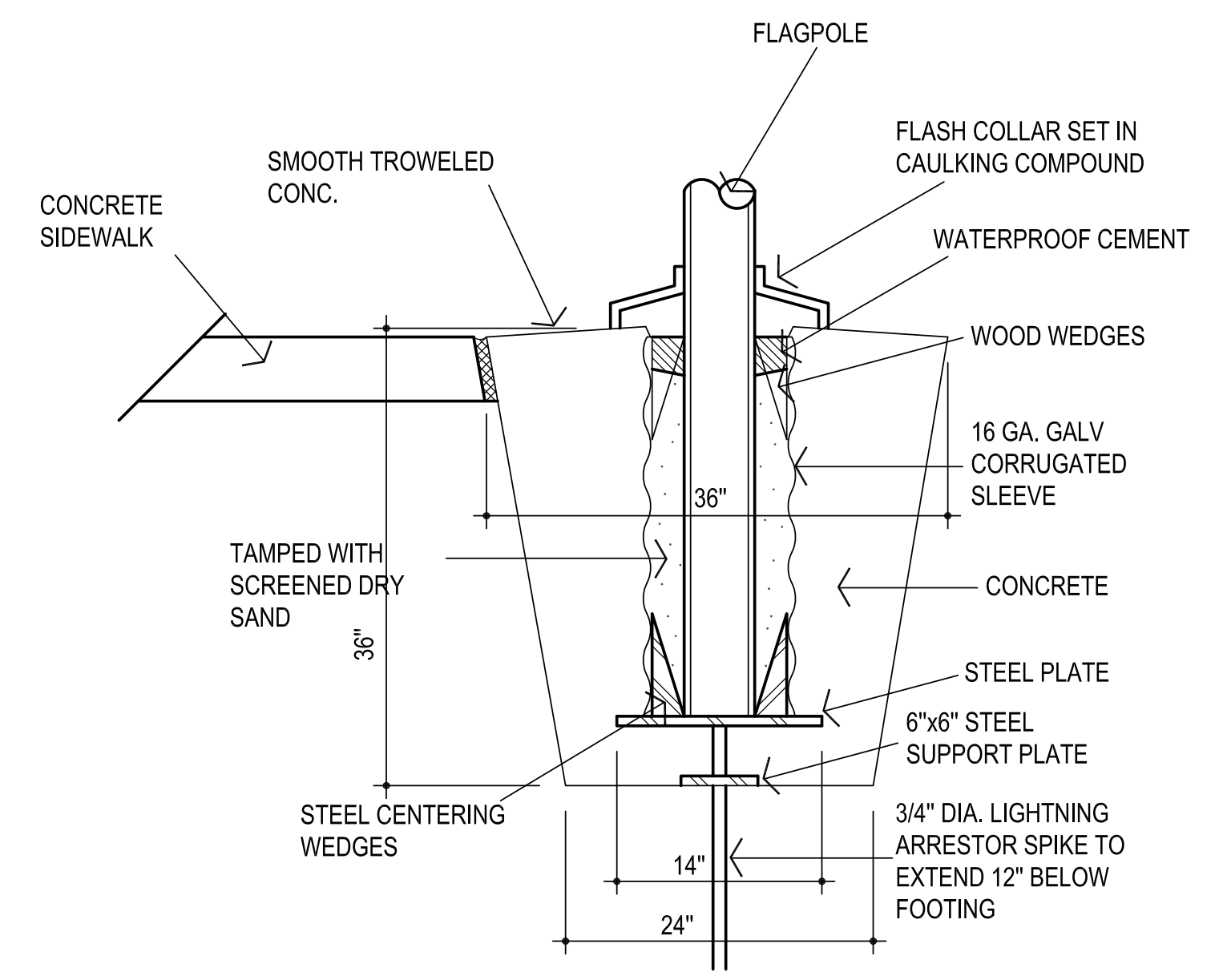
**3** EXISTING GYM SOUTH ENTRY DEMO / NEW GRADING & SIDEWALK  
1" = 10'-0"



**3a** EXISTING GYM SOUTH ENTRY DEMOLITION PLAN  
1/8" = 1'-0"



**5** SIDEWALK @ VERT. SURF.    **6** SIDEWALK EDGE    **7** EXISTING / NEW CONCRETE SIDEWALK



**8** FLAG POLE  
NOT TO SCALE

COORDINATE LOCATION WITH ARCHITECT