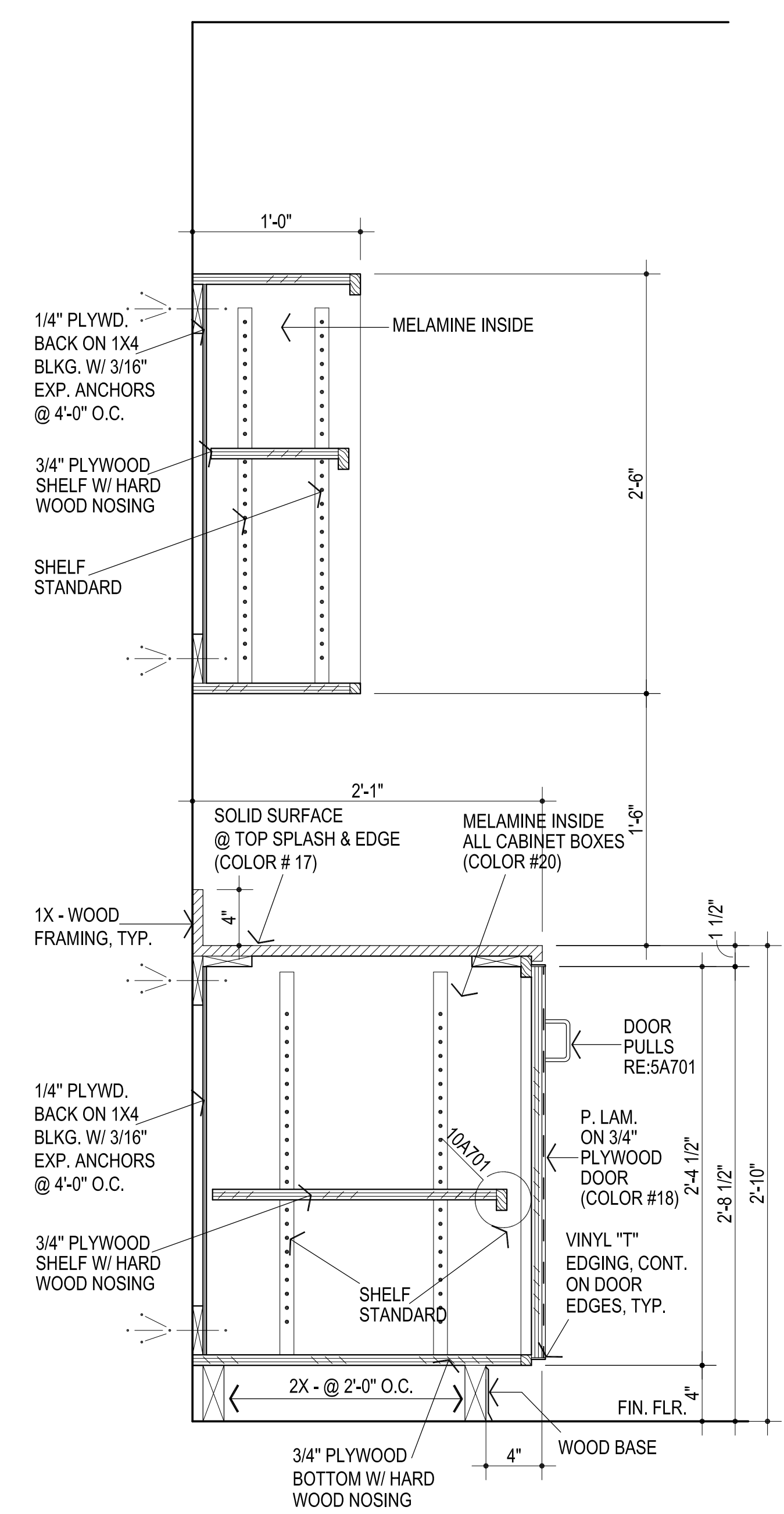
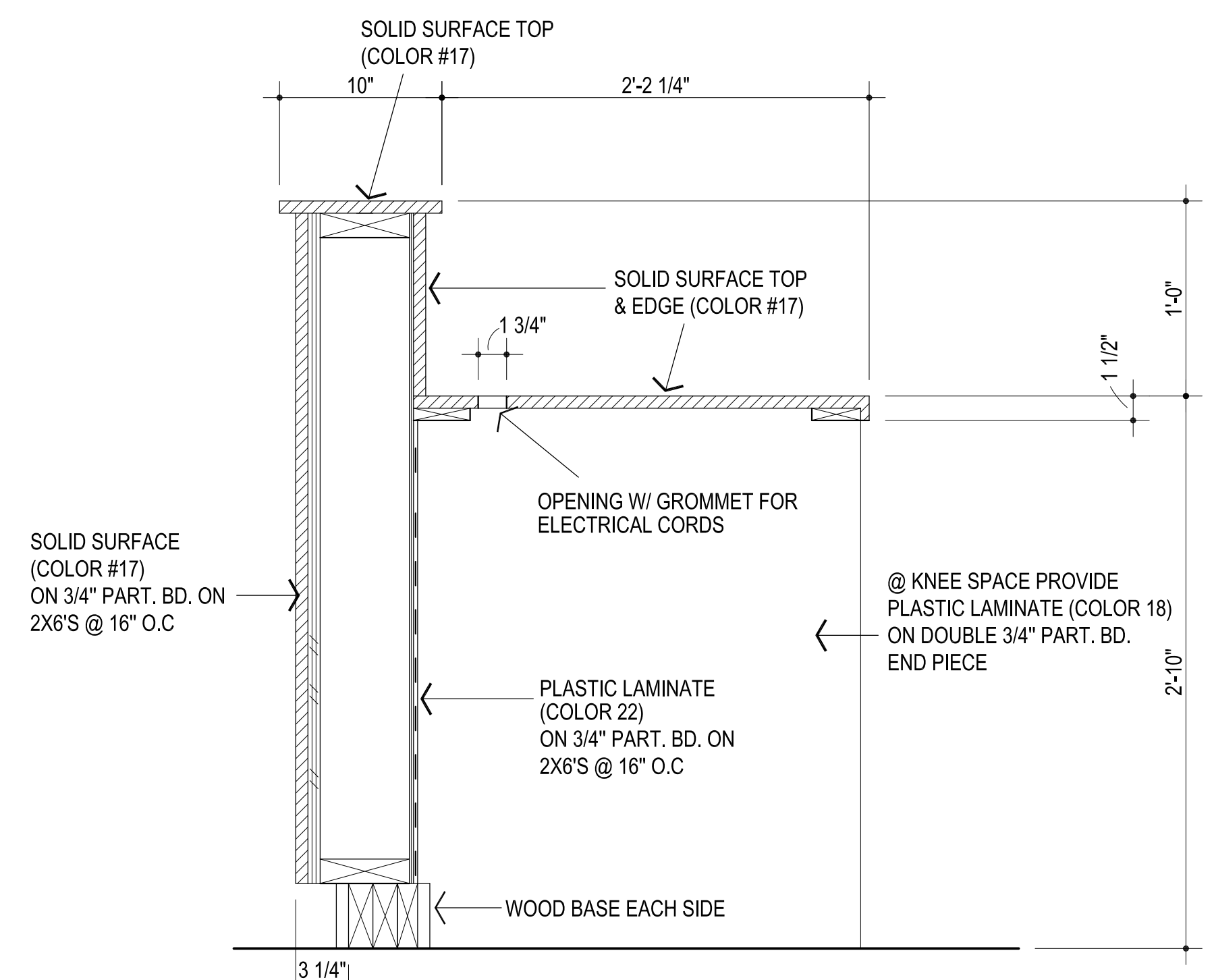


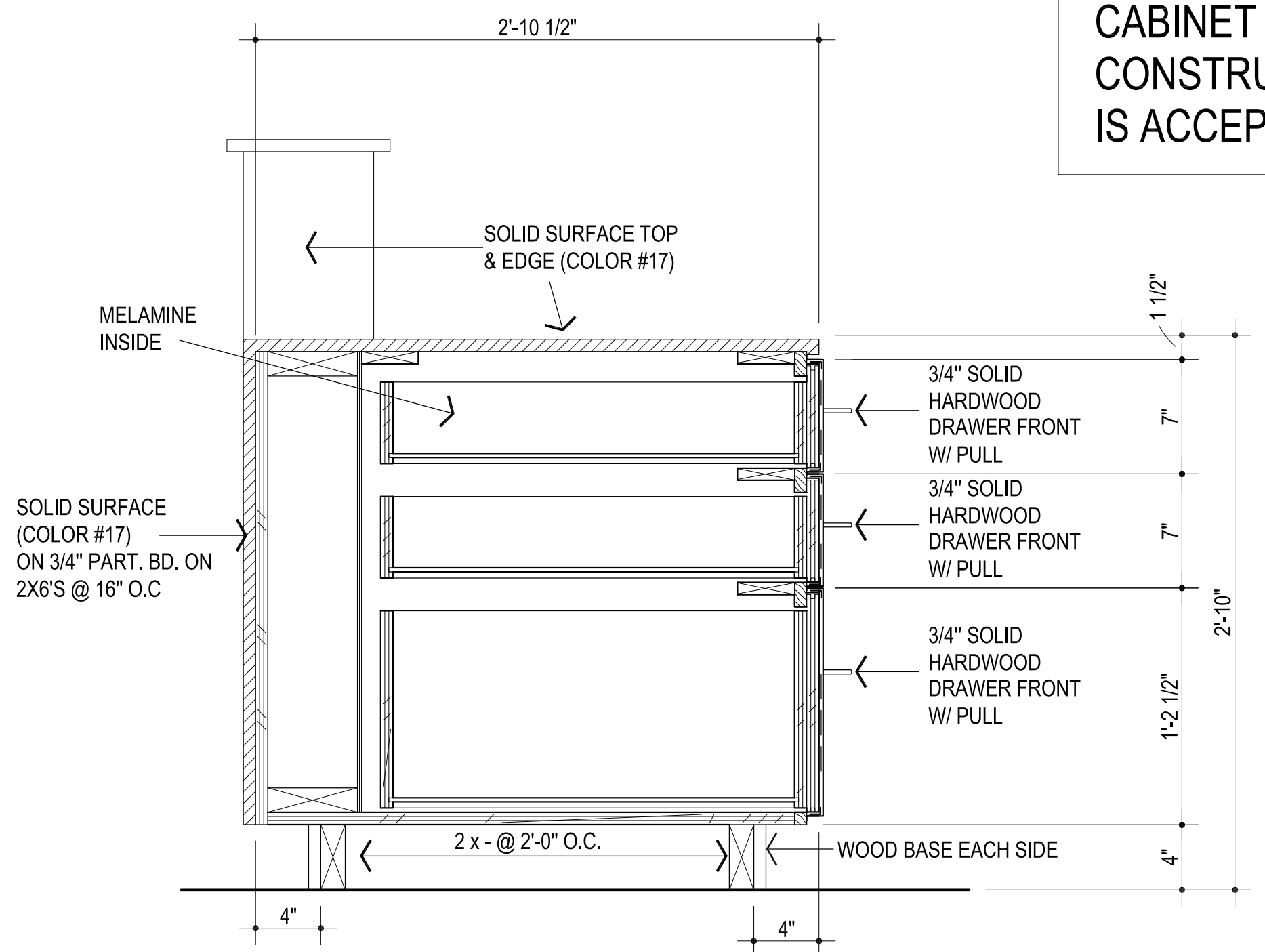
FRAMELESS  
CABINET / EUROPEAN  
CONSTRUCTION IS  
IS ACCEPTABLE



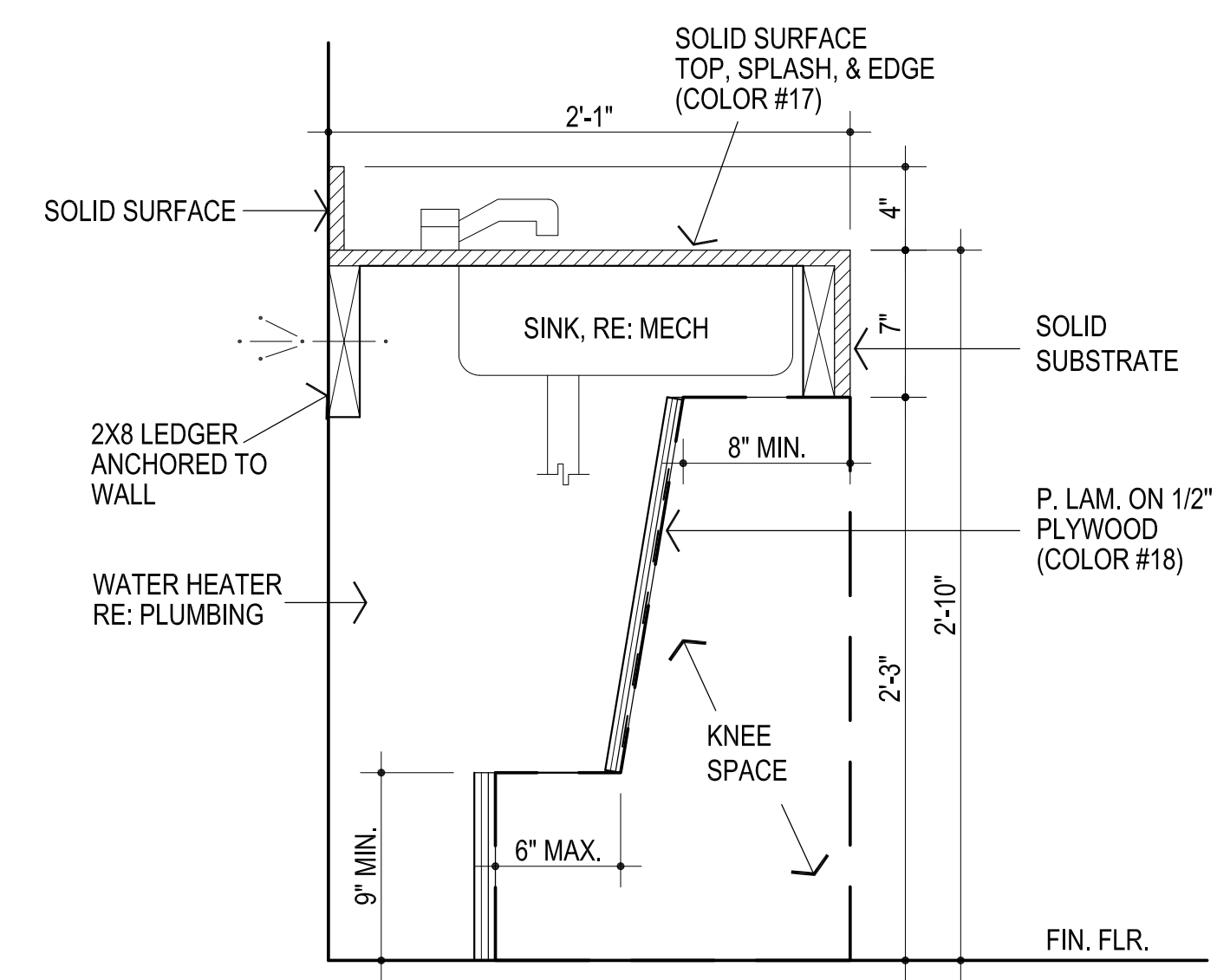
**1** BASE & OPEN WALL CABINET  
1 1/2" = 1'-0"



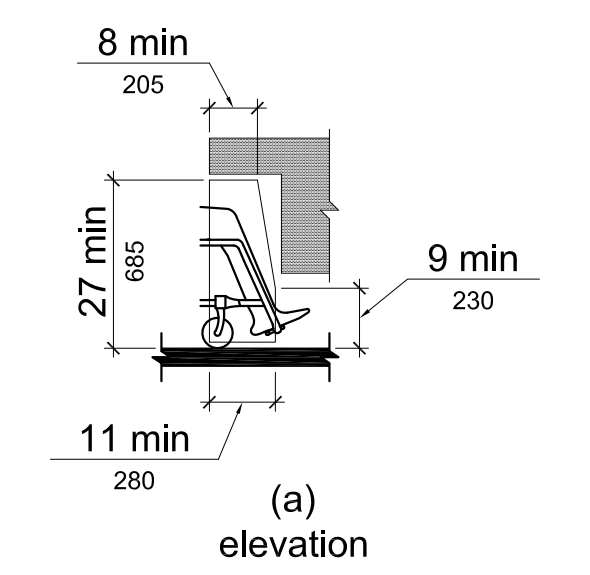
**2** SECTION COUNTER  
1 1/2" = 1'-0"



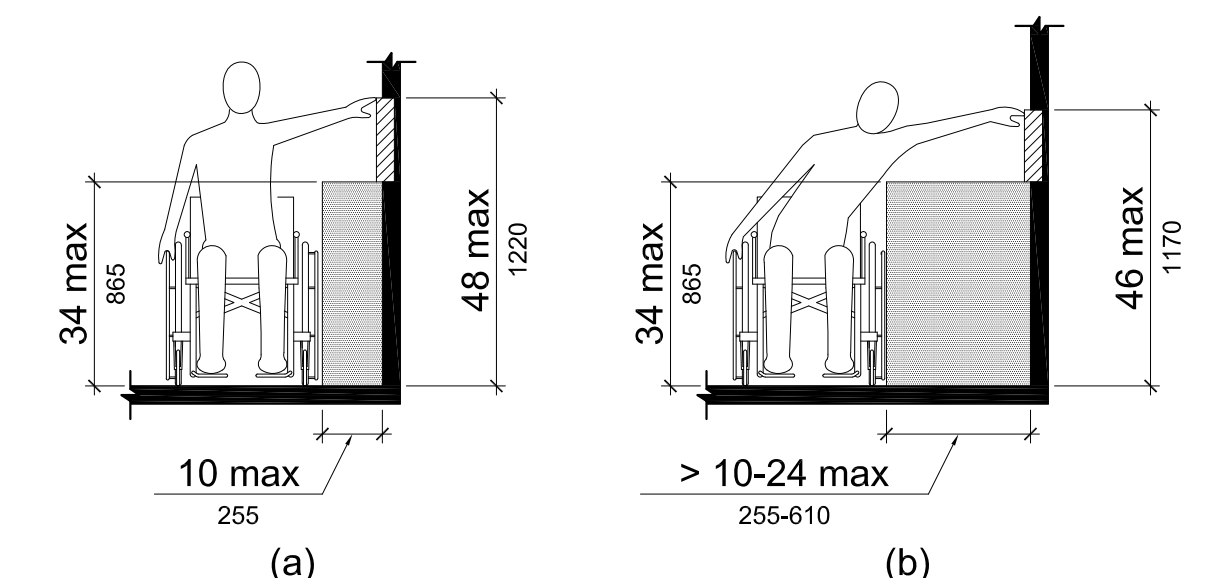
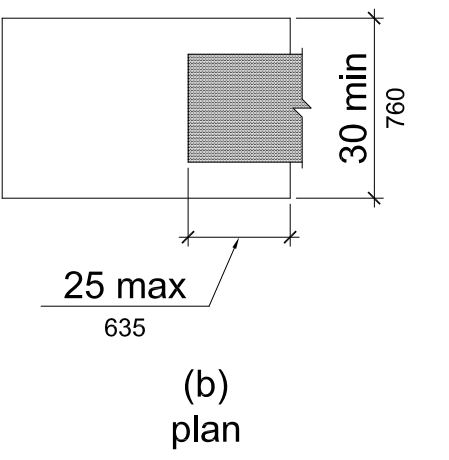
**3** SECTION @ COUNTER  
1 1/2" = 1'-0"



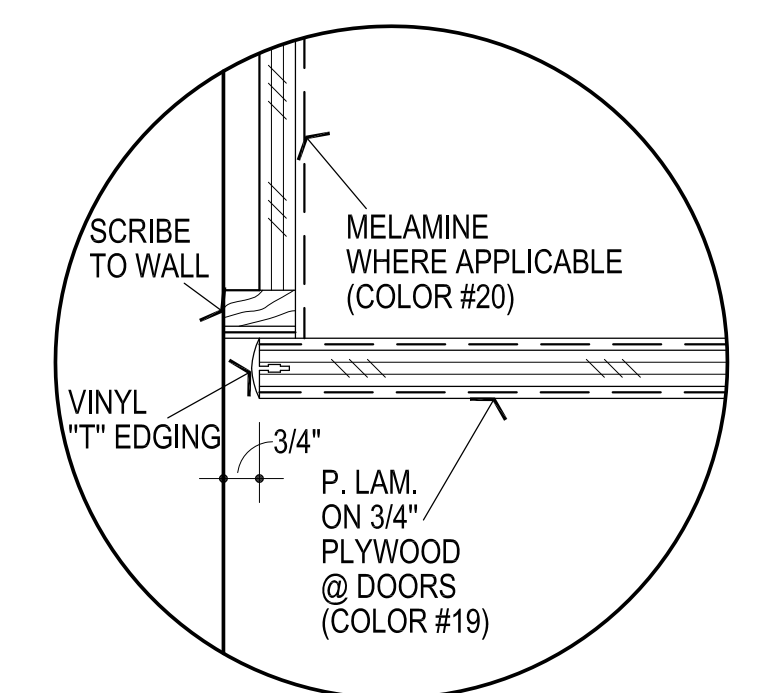
**11** SINK SECTION  
1 1/2" = 1'-0"



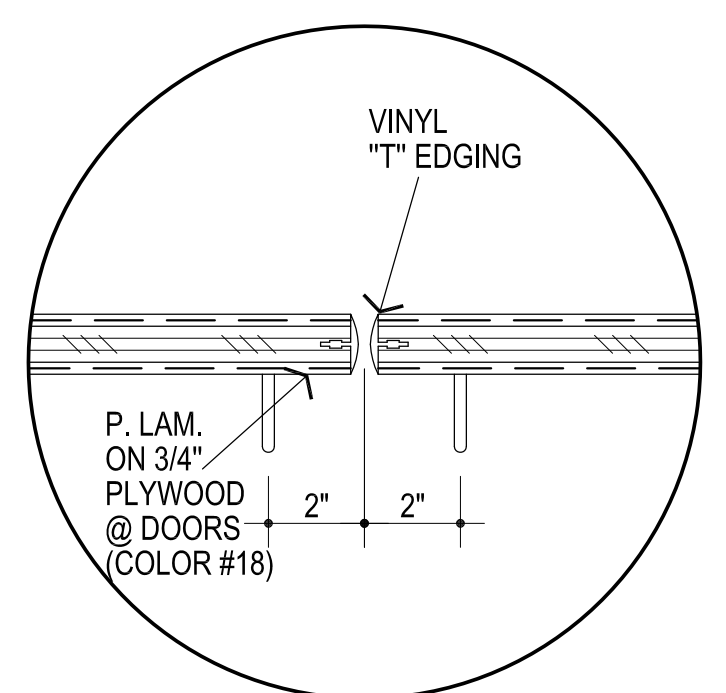
TOE & KNEE CLEARANCE  
FIGURE 308.3



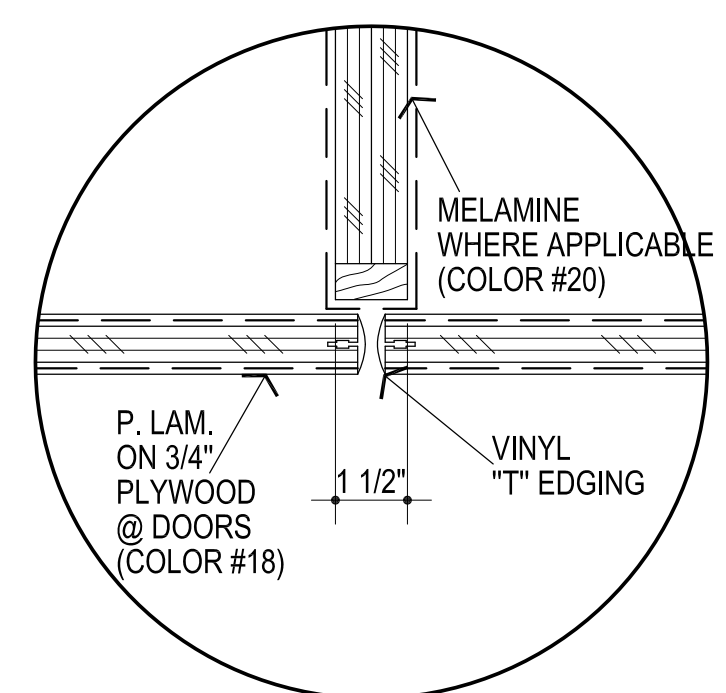
OBSTRUCTED HIGH SIDE REACH  
FIGURE 308.2



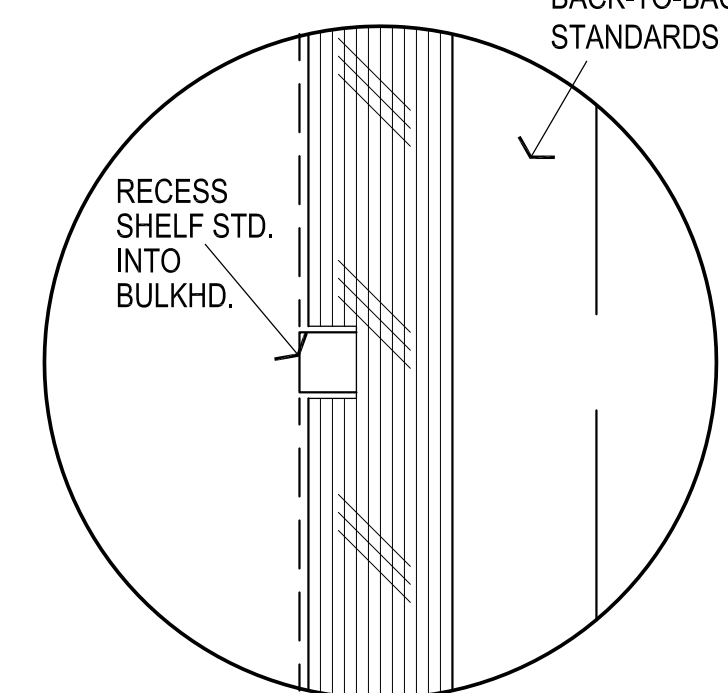
**4** DOOR @ WALL



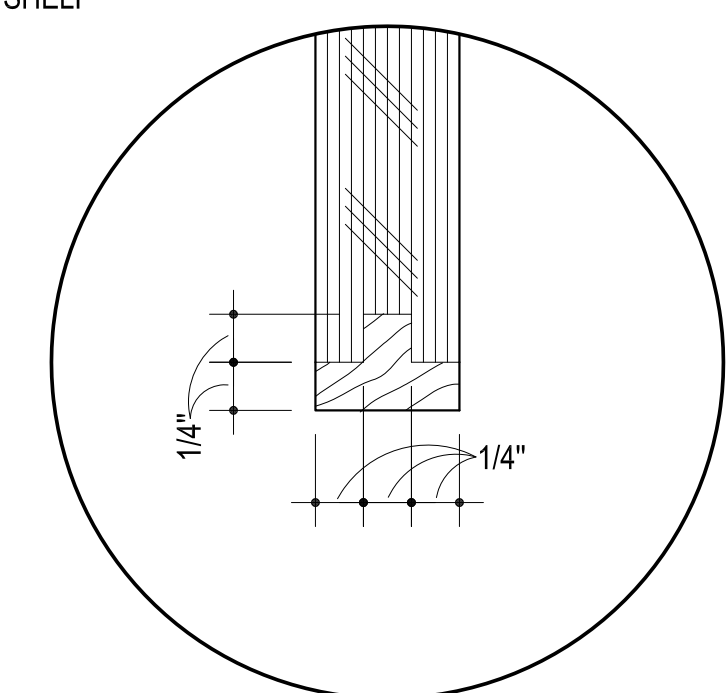
**5** PULLS



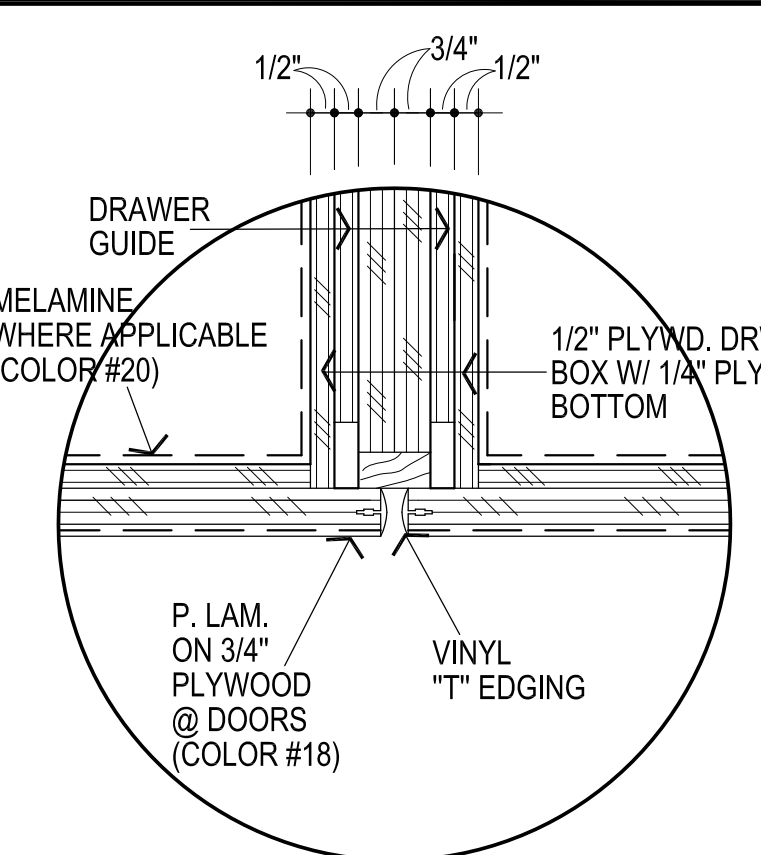
**6** DOORS @ STILE



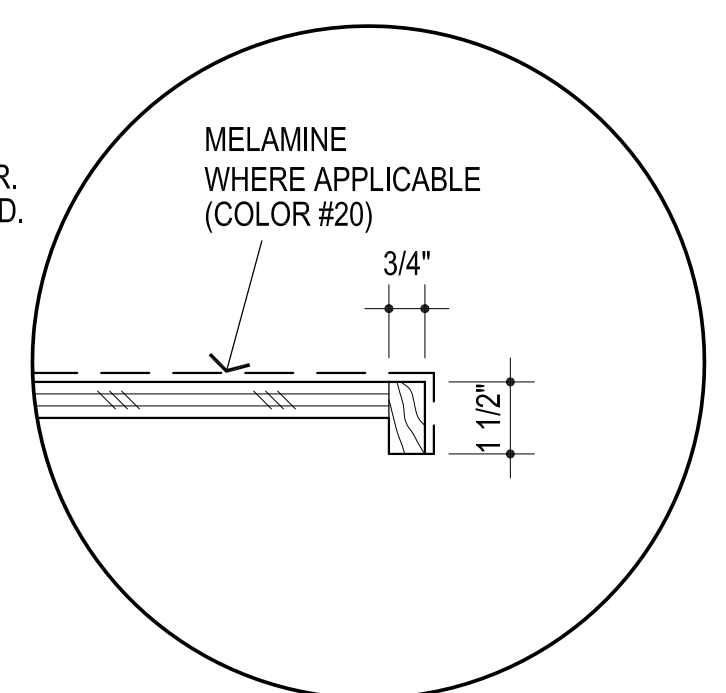
**7** RECESSED STANDARDS



**8** HARDWOOD EDGE



**9** DRWR. TO DRWR.



**10** SHELF EDGE