



CG
drawn by
MA
checked by
NOVEMBER 2025
date
revisions

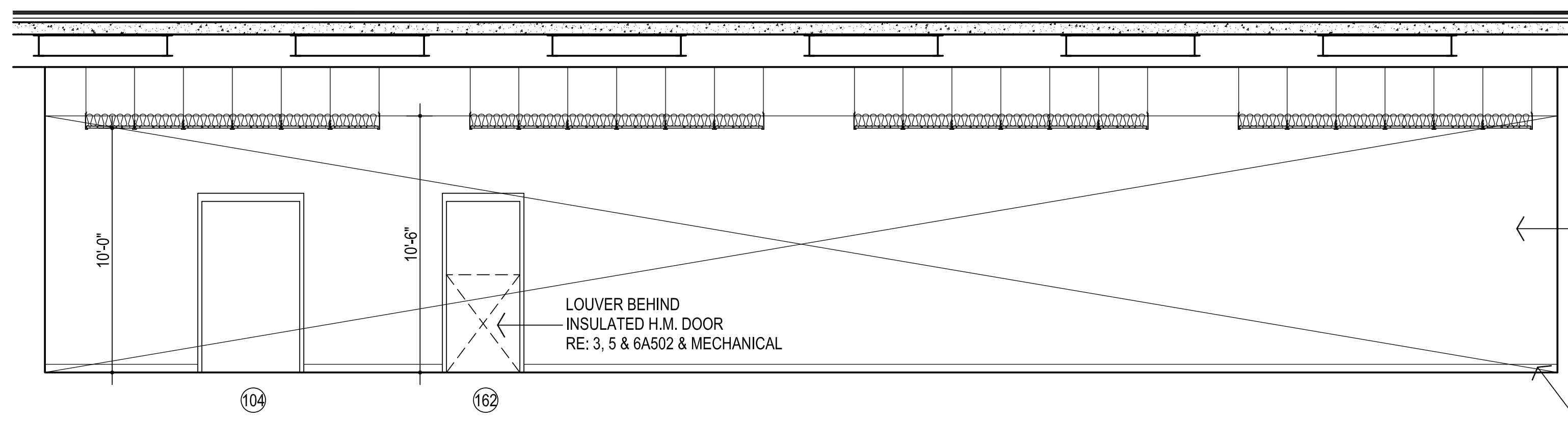


OLD SCHOOL REPLACEMENT

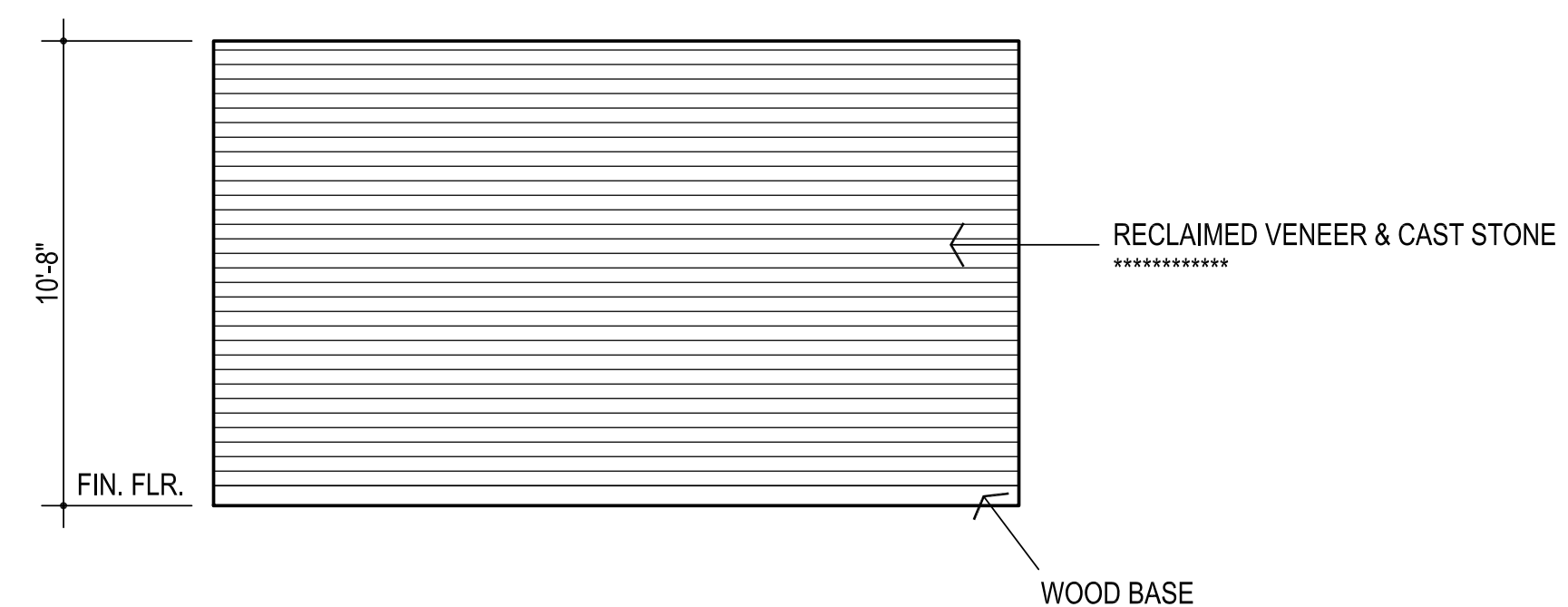
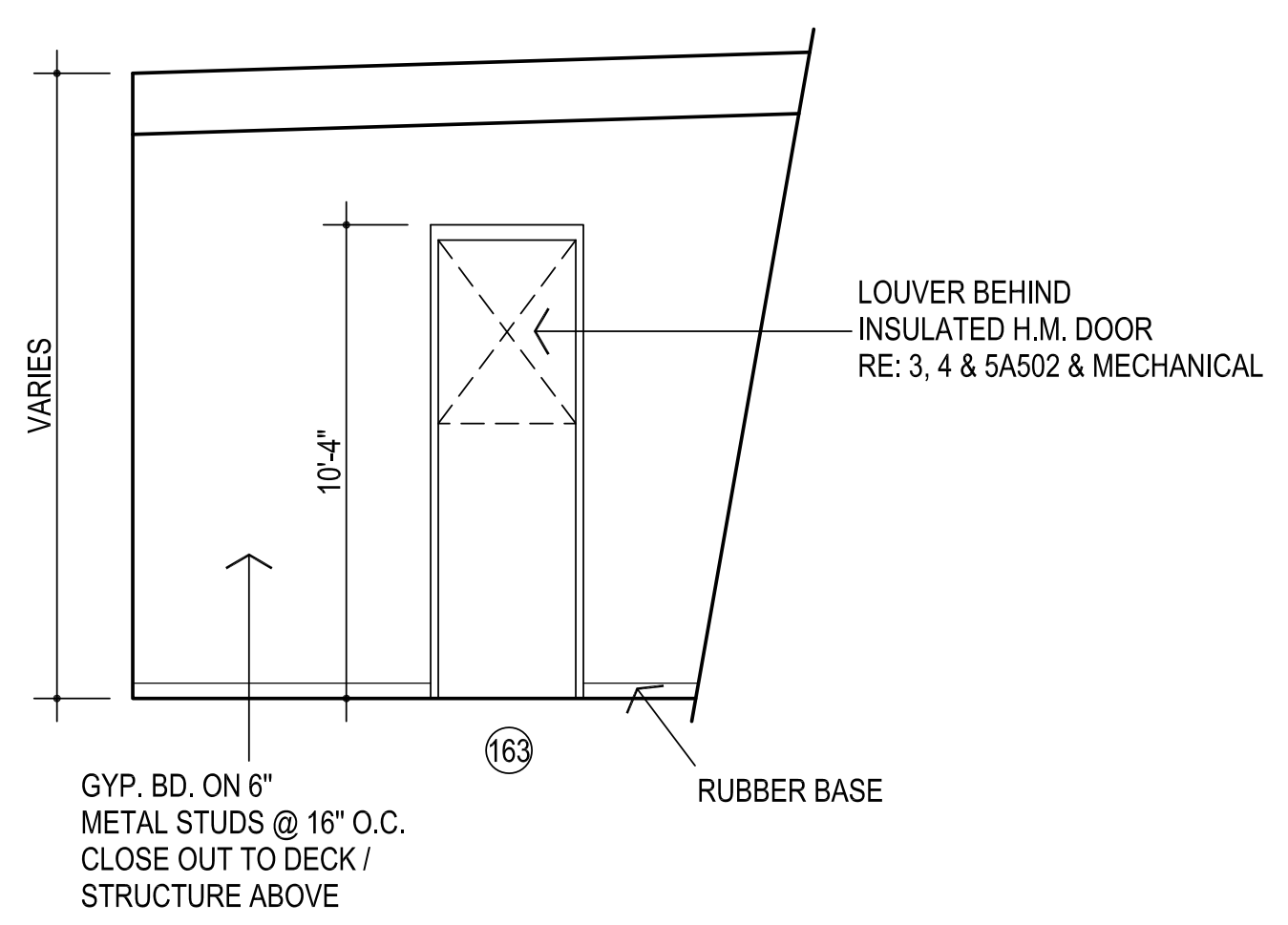
sheet no:

A404

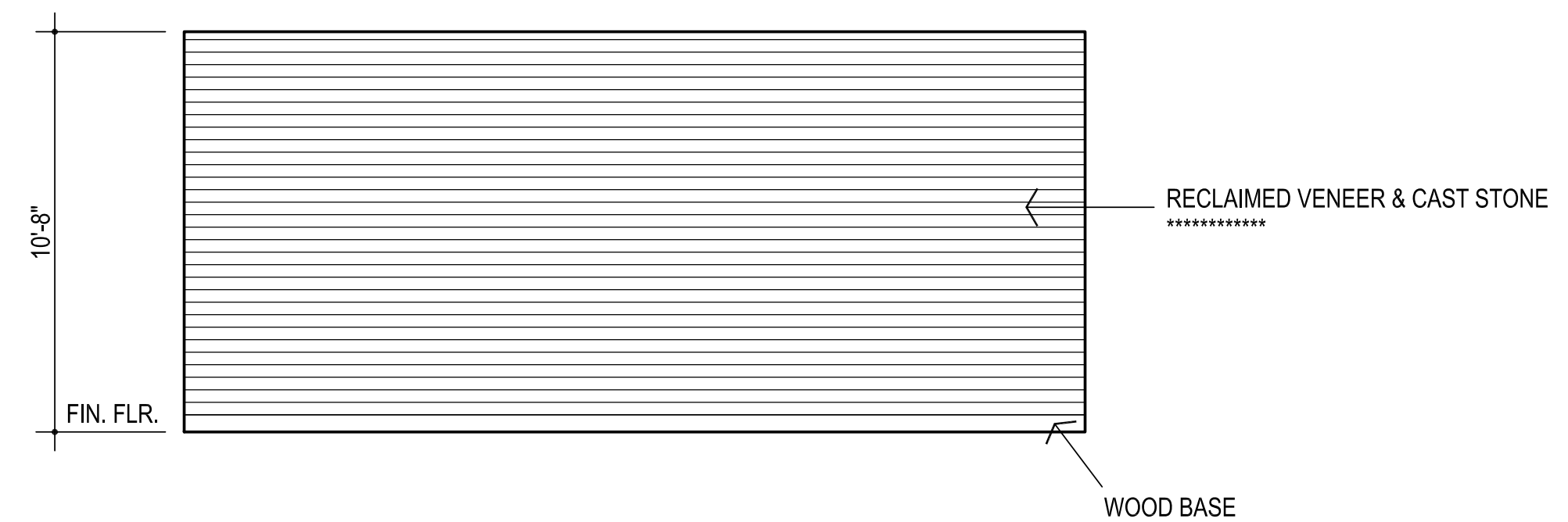
INTERIOR ELEVATIONS
OWNERSHIP USE OF DOCUMENTS:
AGP EXPRESSLY RESERVES ITS
COPYRIGHT AND OTHER PROPERTY
RIGHTS OF ALL PLANS AND DRAWINGS
DESIGNED AND/OR PRODUCED. PLANS
AND DRAWINGS ARE NOT TO BE
REPRODUCED IN ANY FORM OR MANNER
WITHOUT THE EXPRESSED WRITTEN
CONSENT OF AGP.



1 W. WALL ROOM # 121
1/4" = 1'-0"



2 N. WALL ROOM # 101
1/4" = 1'-0"



3 N. WALL ROOM # 132
1/4" = 1'-0"