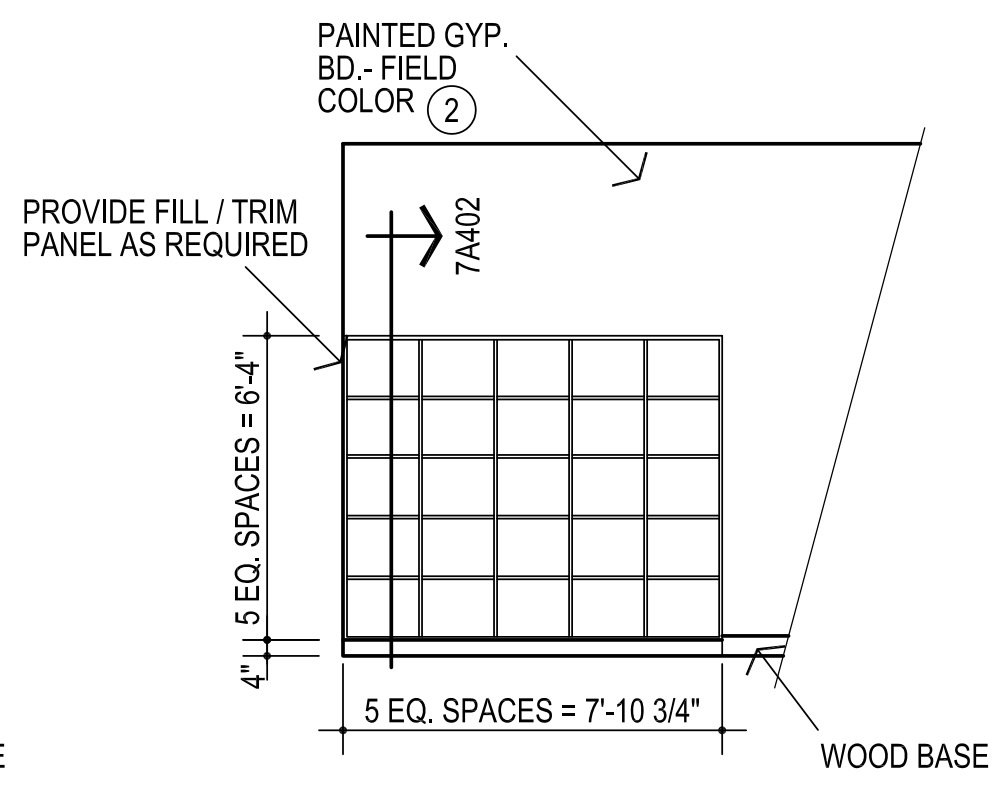


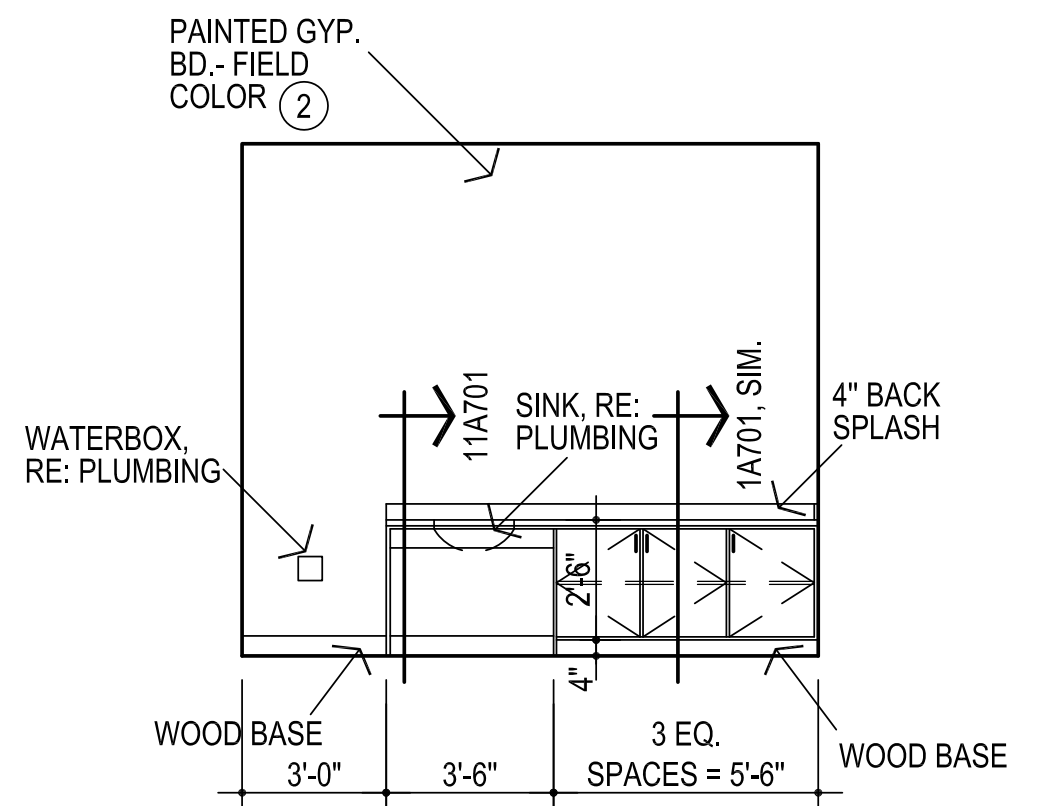
1 W. WALL ROOM # 145
1/4" = 1'-0"



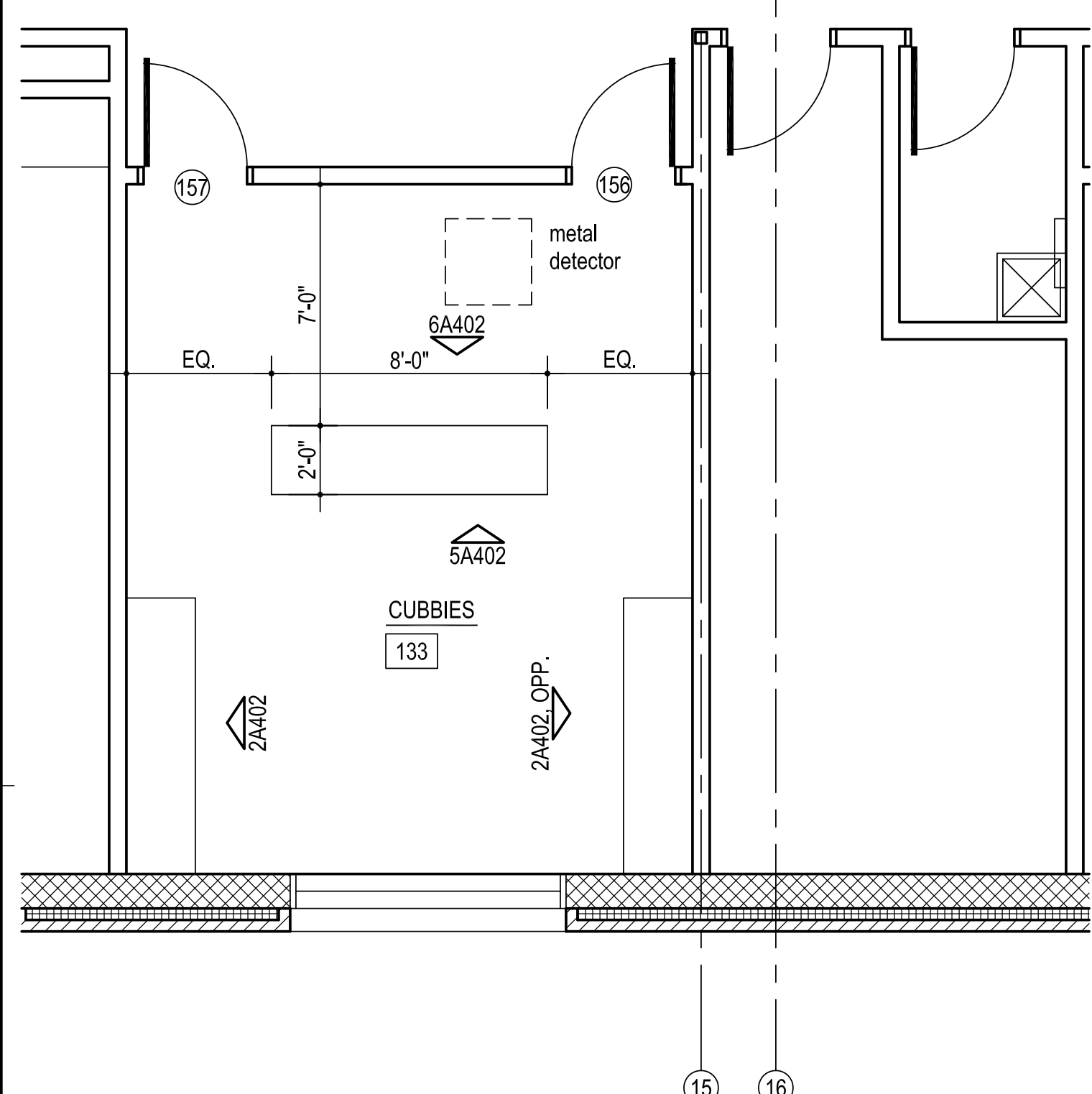
2 S. WALL ROOM # 133, - TYP. CUBBIE
N. WALL ROOM # 133, OPP. - TYP. CUBBIE
1/4" = 1'-0"

NOTE: CONTRACTOR TO VERIFY THAT THE MOUNTING HEIGHTS OF ALL WALL MOUNTED FIXTURES (I.E. PLUMBING FIXTURES, GRAB BARS, MIRRORS, ETC.) MEET ALL APPLICABLE CODES & STANDARDS PRIOR TO INSTALLATION.

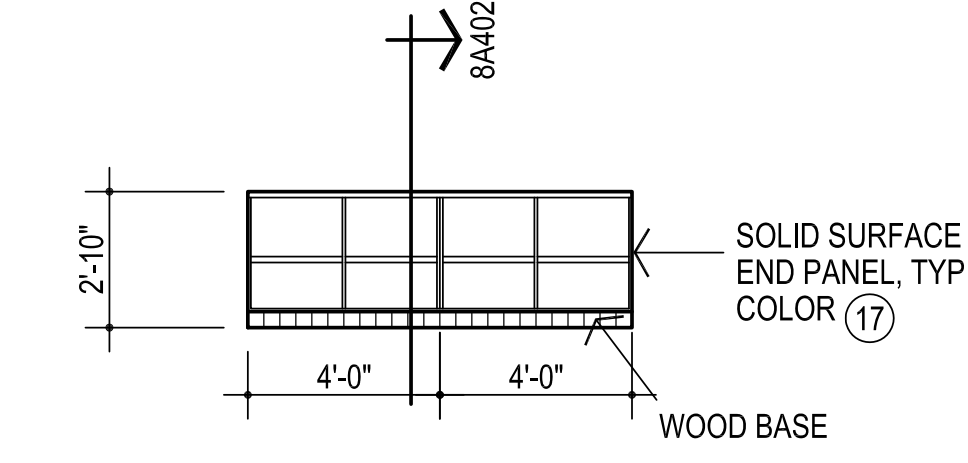
GENERAL NOTES:
1. DO NOT SCALE DRAWINGS TO OBTAIN MATERIAL QUANTITIES. USE DRAWINGS WHICH ARE DIMENSIONED OR COORDINATE W/ EXISTING CONDITIONS &/OR ARCHITECT & ENGINEERS.



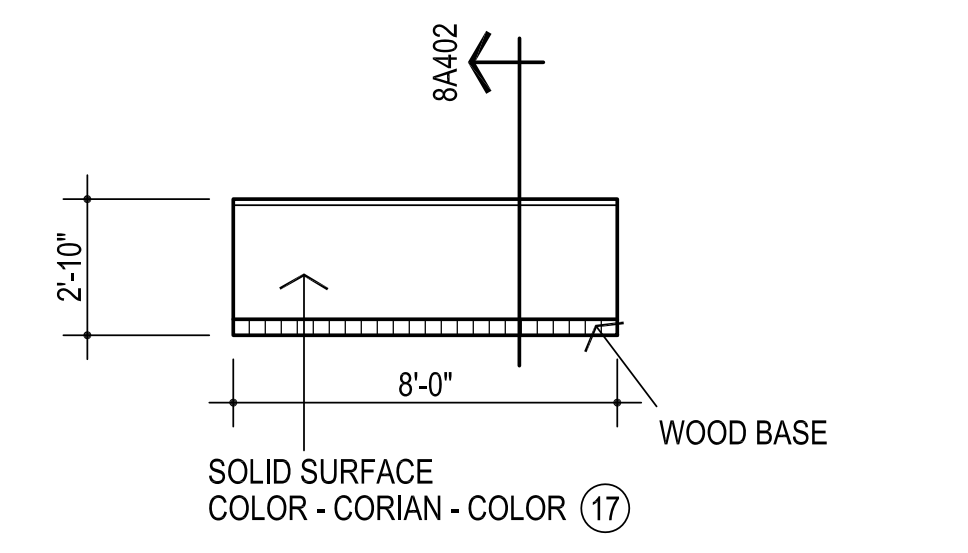
3 N. WALL ROOM # 209
1/4" = 1'-0"



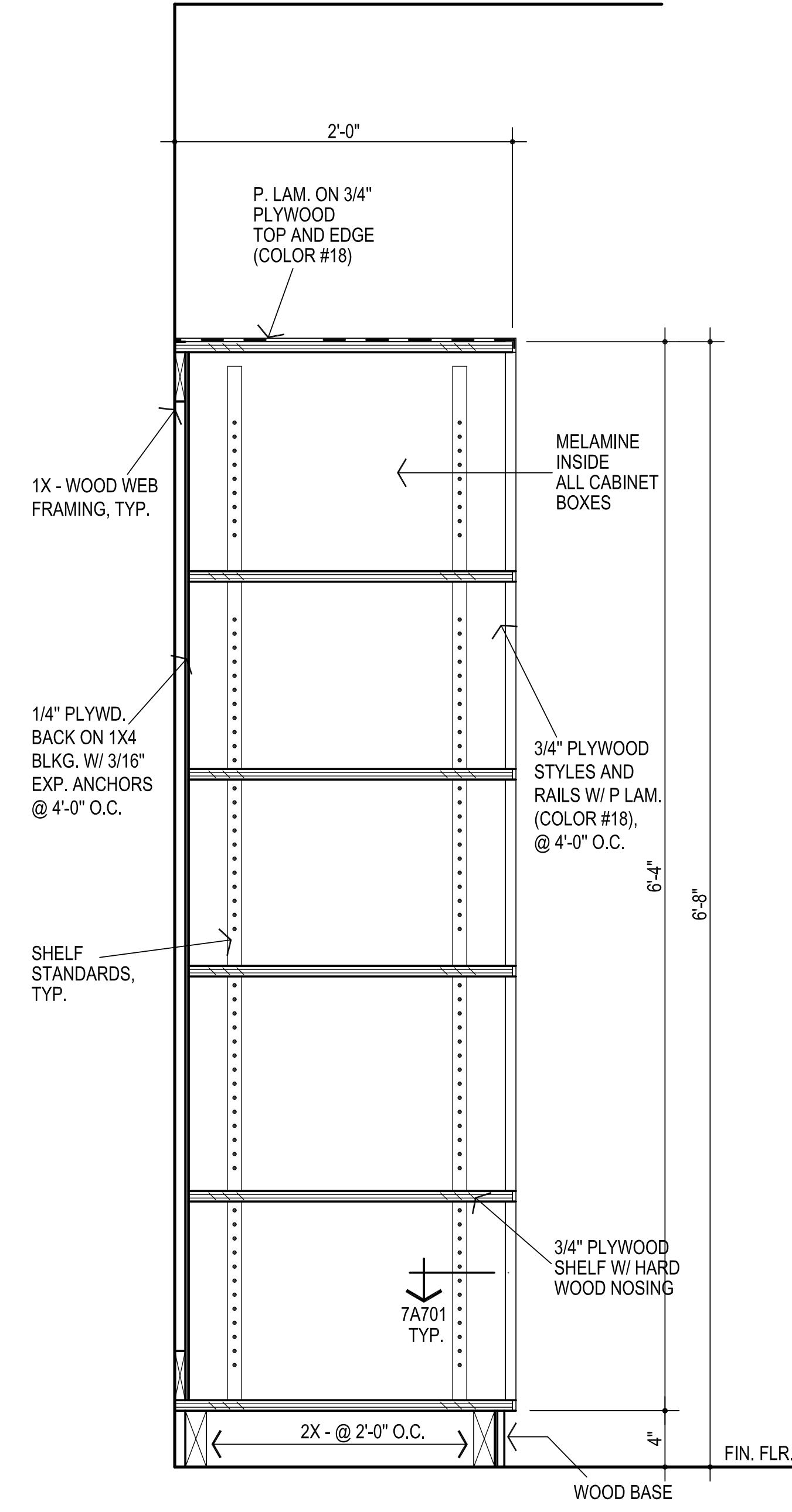
4 ENLARGED PLAN ROOM # 133
1/8" = 1'-0"



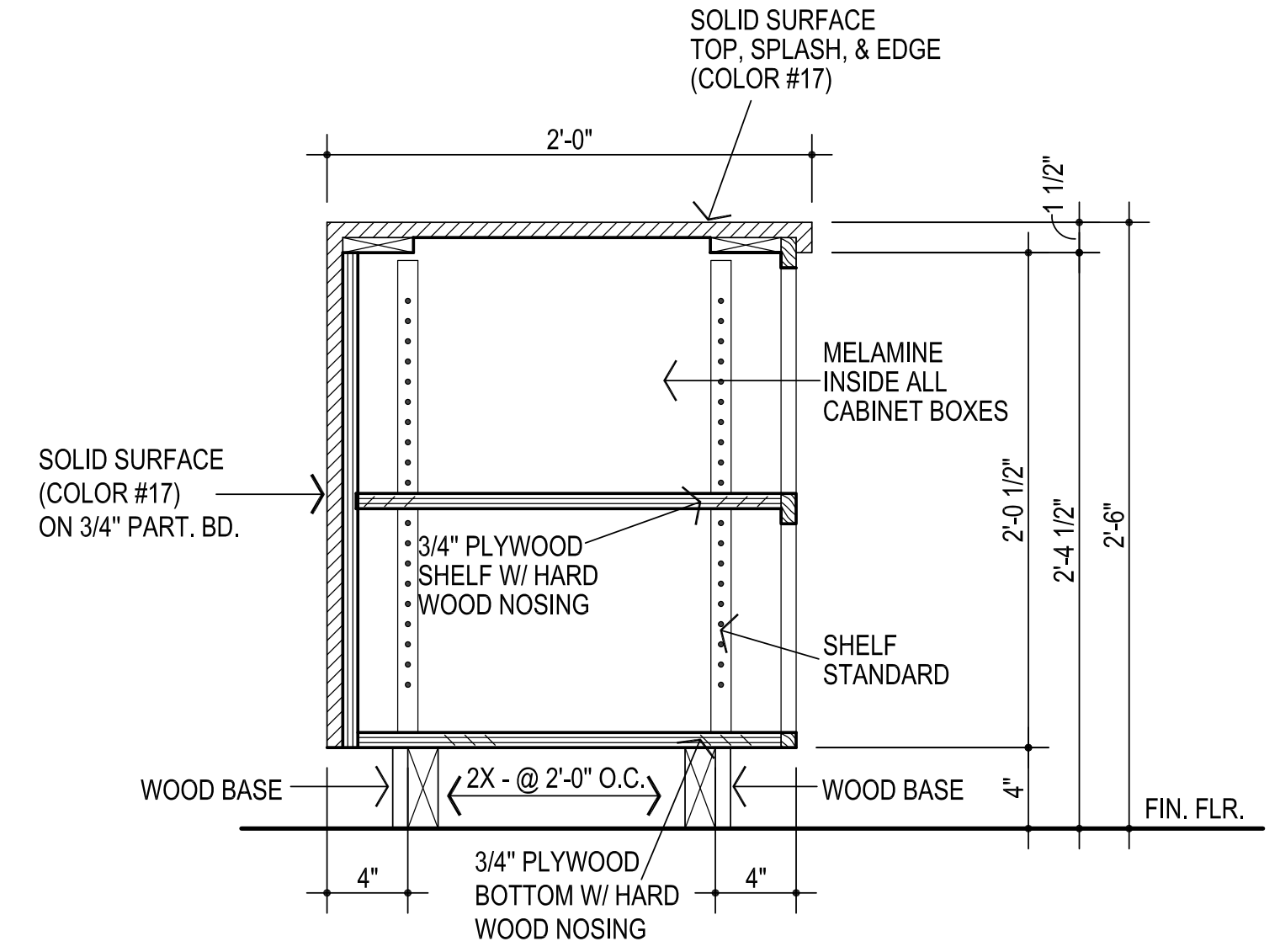
5 E. ELEVATION ROOM #133 COUNTER
1/4" = 1'-0"



6 W. ELEVATION ROOM #133 COUNTER
1/4" = 1'-0"



7 STORAGE SHELVING
1 1/2" = 1'-0"



8 OPEN SHELVING
1 1/2" = 1'-0"



CG	_____
drawn by	_____
MA	_____
checked by	_____
NOVEMBER 2025	_____
date	_____
revisions	_____

